

[54] **CORNER LAMP**

[76] **Inventor: James P. Russell, 555 W. Shore Trail, Sparta, N.J. 07871**

[**] **Term: 14 Years**

[21] **Appl. No.: 607,781**

[22] **Filed: May 7, 1984**

[52] **U.S. Cl. D26/86**

[58] **Field of Search 362/217, 432, 404, 297, 362/311, 362; D26/24, 72, 75-92**

[56] **References Cited**

U.S. PATENT DOCUMENTS

D. 124,018	12/1940	Davis	D26/86
D. 167,816	9/1952	Steeber	D26/85
D. 190,671	6/1961	Rambusch	D26/85
D. 248,184	6/1978	Roberts	D26/85

OTHER PUBLICATIONS

Koch & Lowy Inc. AD. 1981, Corner Lamp T-401, (wall lamp box).

Primary Examiner—Susan J. Lucas
Attorney, Agent, or Firm—Hopgood, Calimafde, Kalil, Blaustein & Judlowe

[57] **CLAIM**

The ornamental design for a corner lamp, as shown and described.

DESCRIPTION

FIG. 1 is a perspective view of a corner lamp showing my new design;
FIG. 2 is a front elevational view thereof;
FIG. 3 is a top plan view thereof;
FIG. 4 is a side elevational view thereof as seen from the right side of FIG. 2, the opposite side being substantially the same in appearance;
FIG. 5 is a rear elevational view thereof; and
FIG. 6 is a bottom plan view thereof.

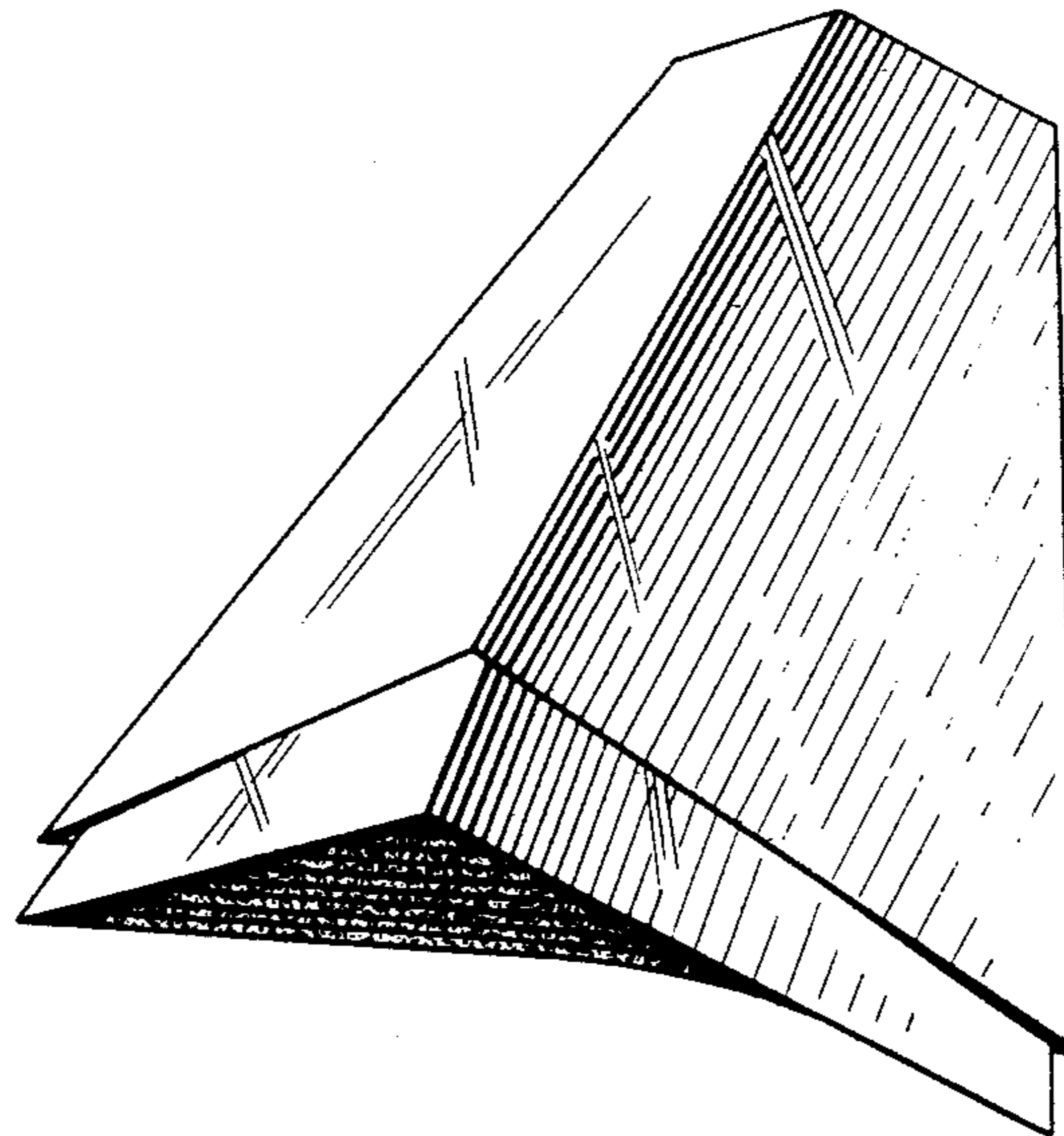


Fig. 1.

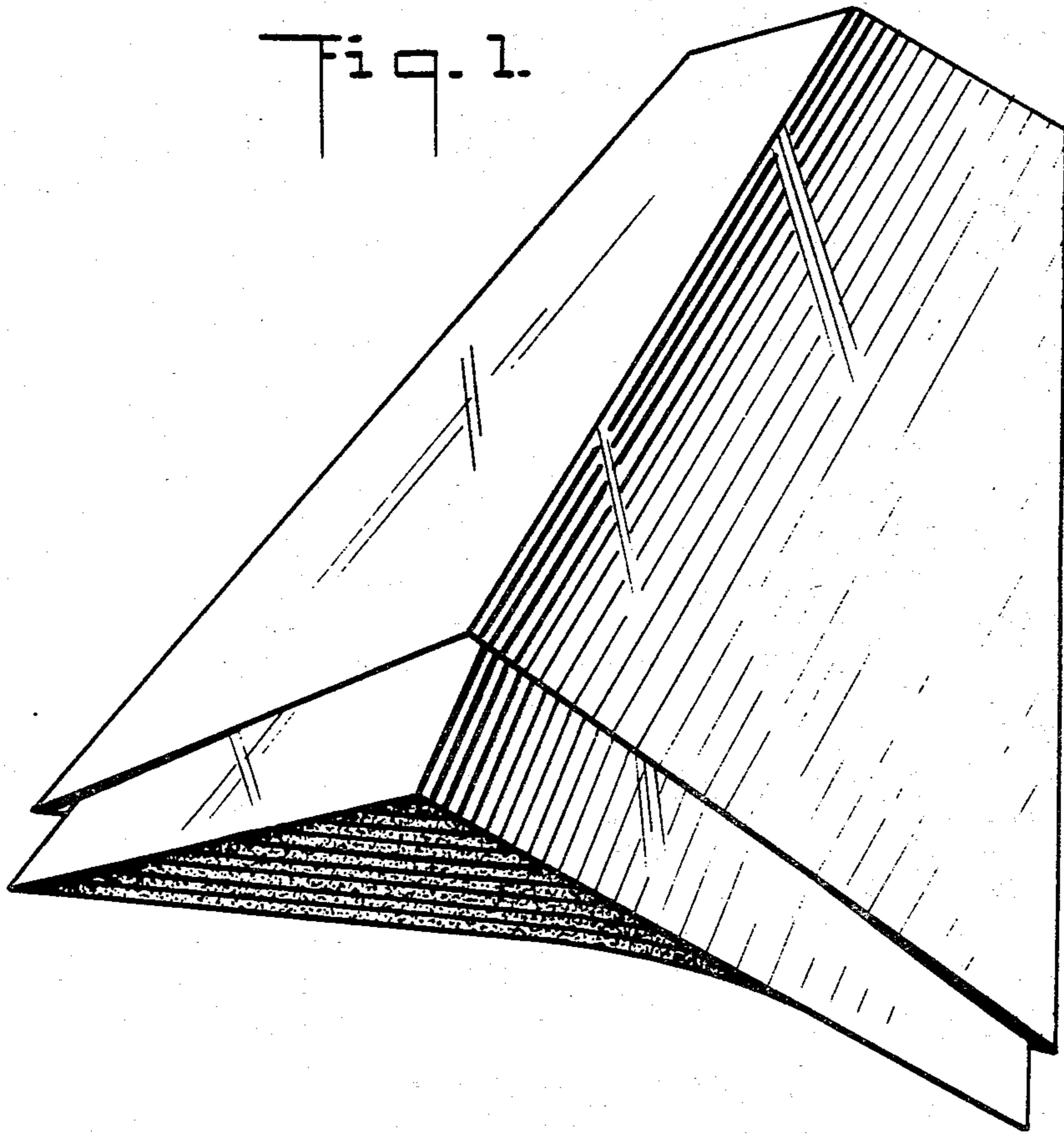


Fig. 3.

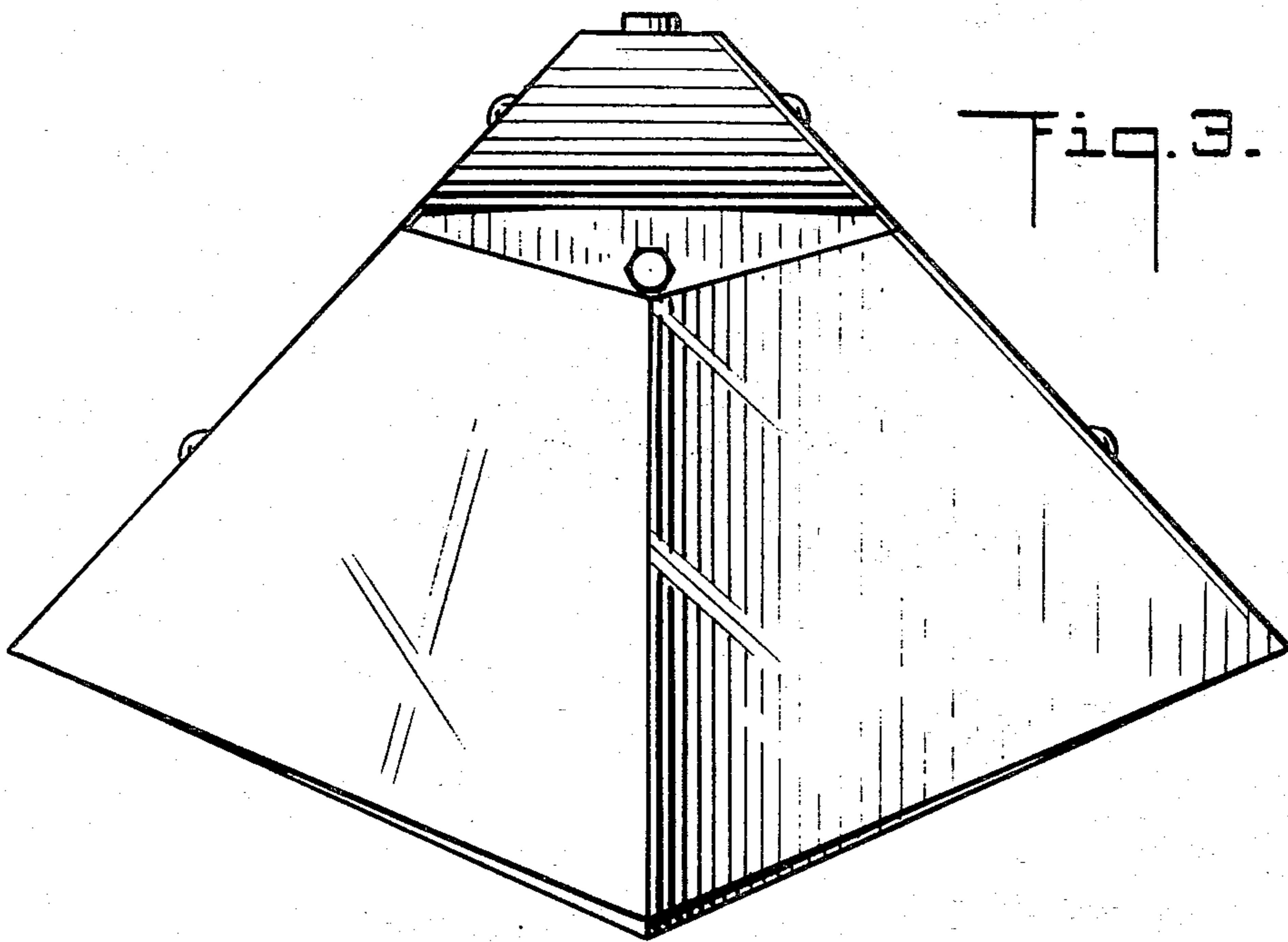


Fig. 2.

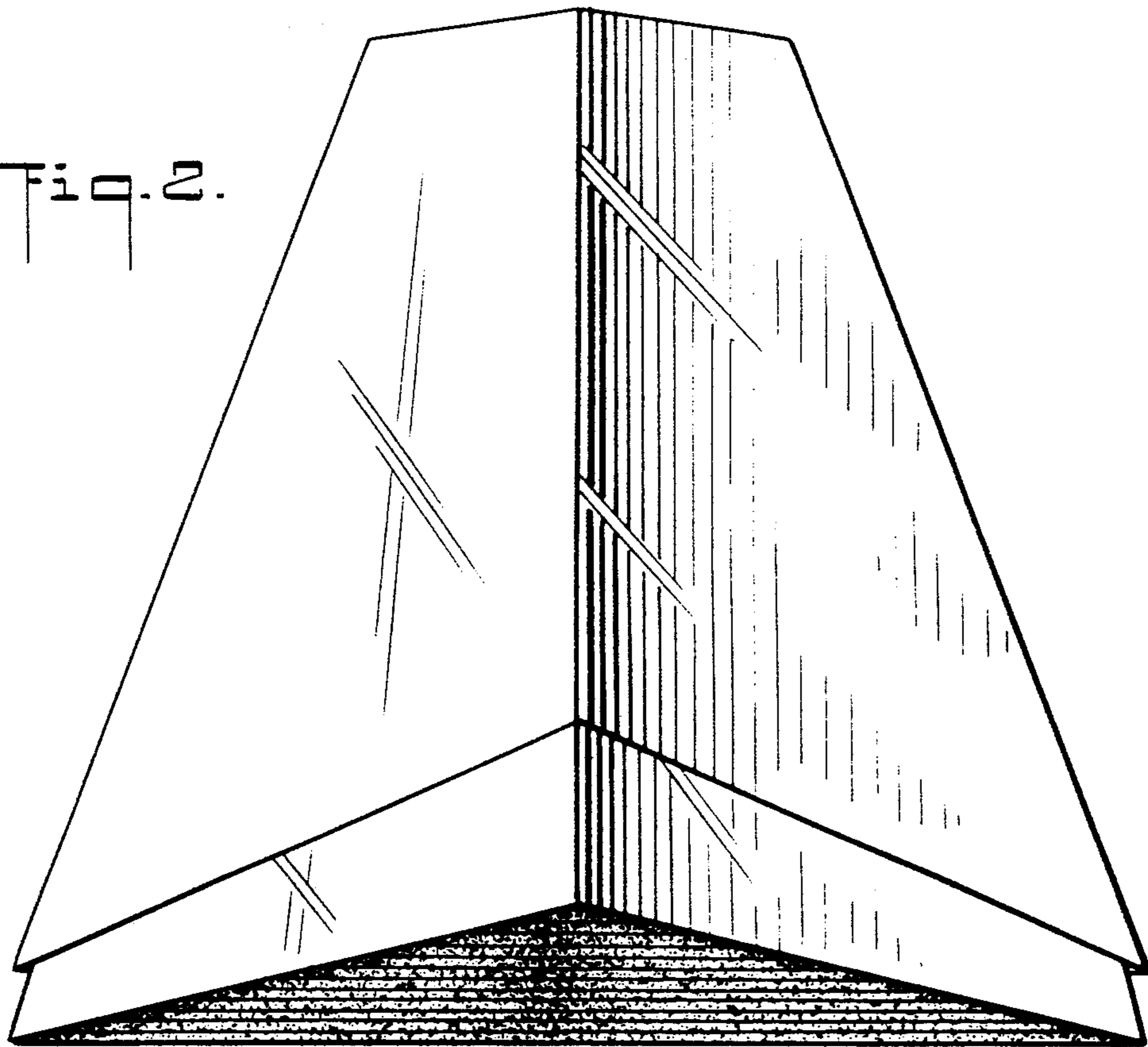


Fig. 6.

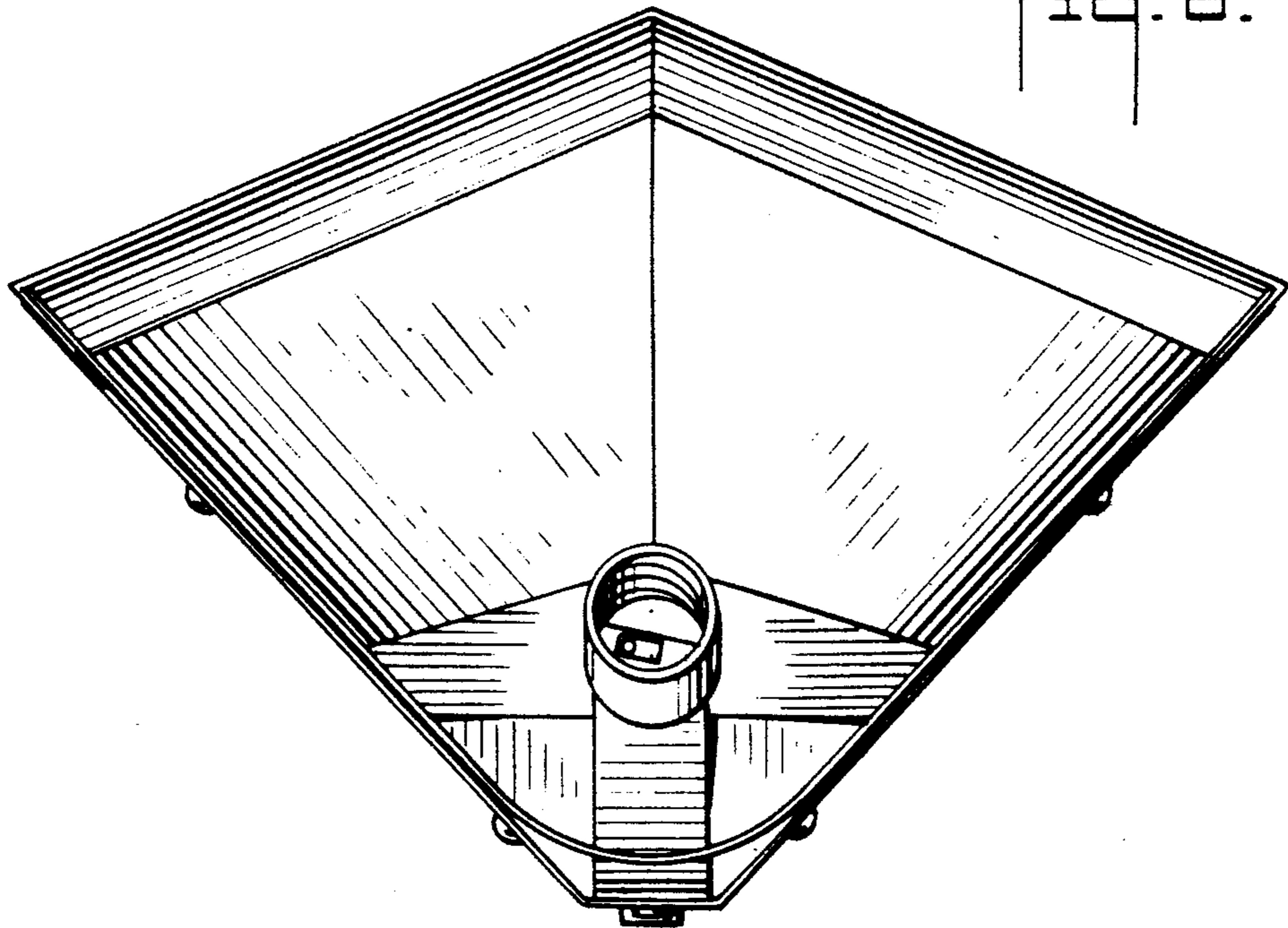


Fig. 4.

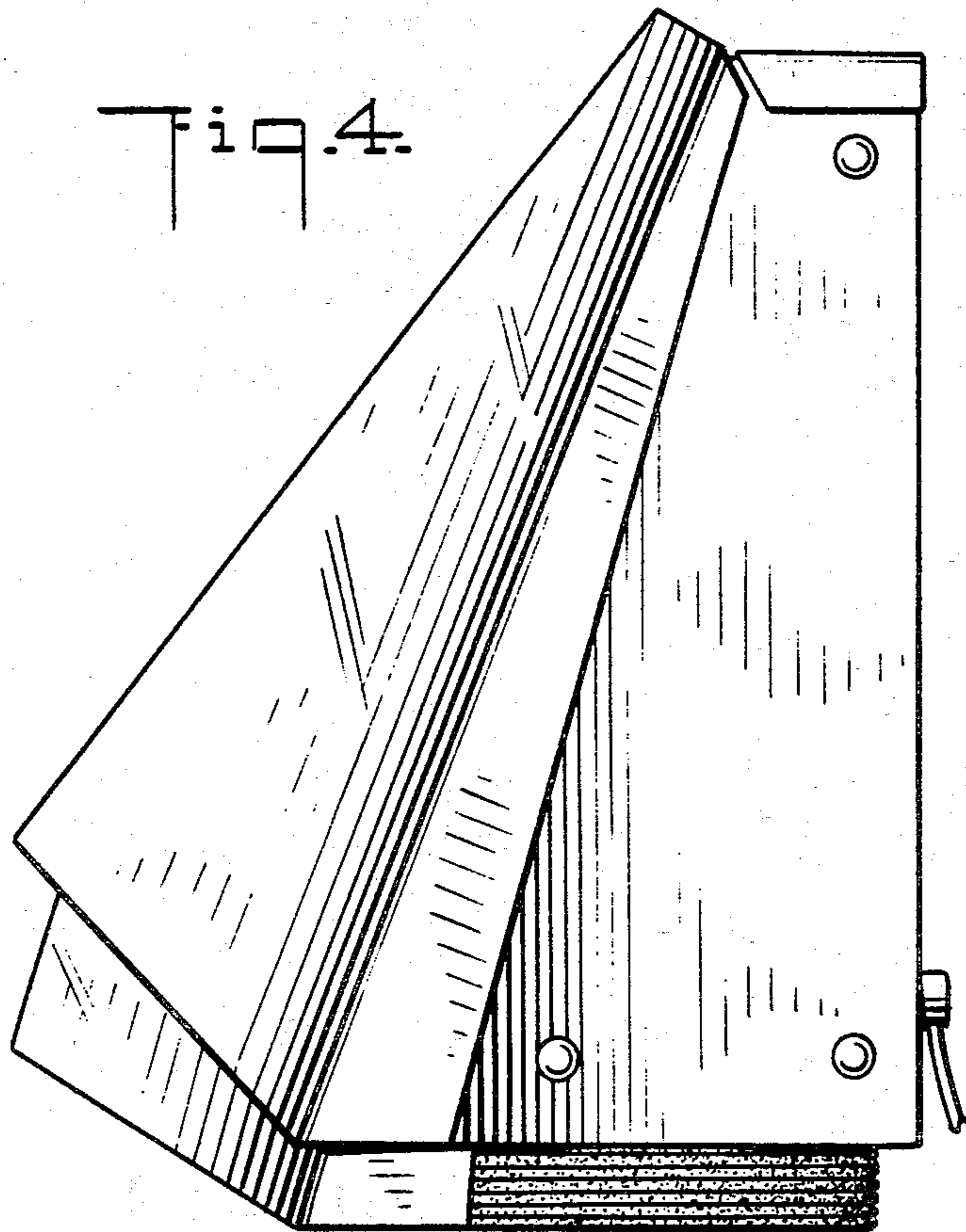


Fig. 5.

