

[54] **LABORATORY FILTER**

[75] **Inventor: Gerald P. Tjernagel, North Mankato, Minn.**

[73] **Assignee: Trend Scientific, Inc., Minneapolis, Minn.**

[**] **Term: 14 Years**

[21] **Appl. No.: 514,623**

[22] **Filed: Jul. 18, 1983**

[52] **U.S. Cl. D24/29**

[58] **Field of Search D24/29, 8, 21, 51, 99; 210/464, 473, 474, 477; D7/68; D23/4**

[56] **References Cited**

U.S. PATENT DOCUMENTS

90,523 5/1869 Goodfellow 210/477

181,532 8/1876 Melbert 241/168 X
D. 185,115 5/1959 Beerman D24/31 X
D. 270,947 10/1983 Mehra et al. D24/8 X

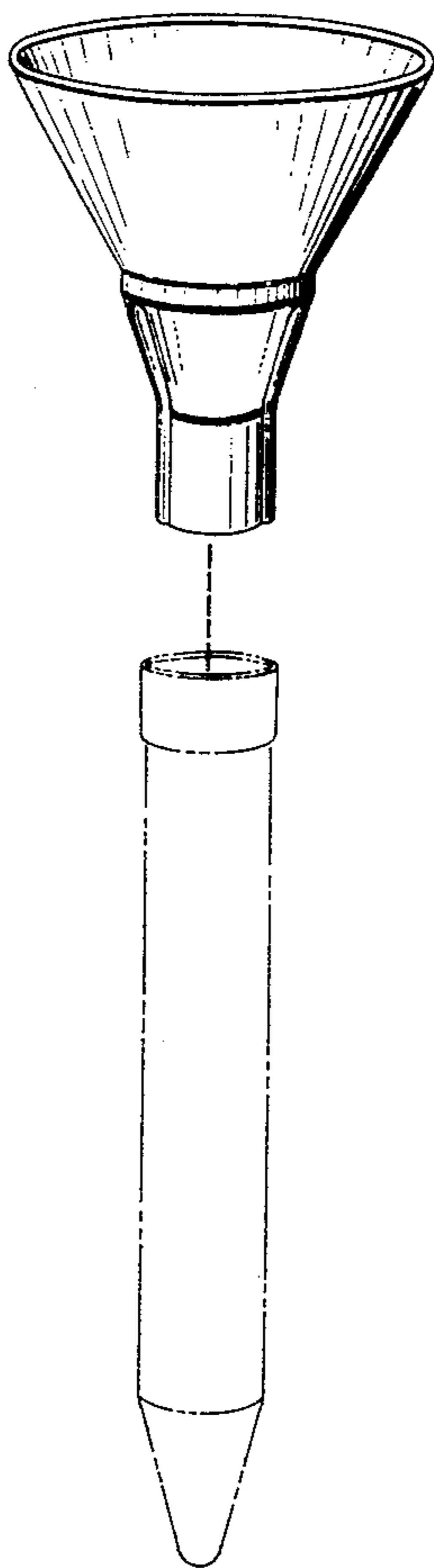
Primary Examiner—A. Hugo Word
Assistant Examiner—Stella M. Reid
Attorney, Agent, or Firm—Kinney & Lange

[57] **CLAIM**

The ornamental design for a laboratory filter, substantially as shown and described.

DESCRIPTION

FIG. 1 is a perspective view of a laboratory filter embodying my new design, the broken lines being for illustration purposes only;
FIG. 2 is a side elevational view thereof;
FIG. 3 is a top plan view thereof; and
FIG. 4 is a bottom plan view thereof.



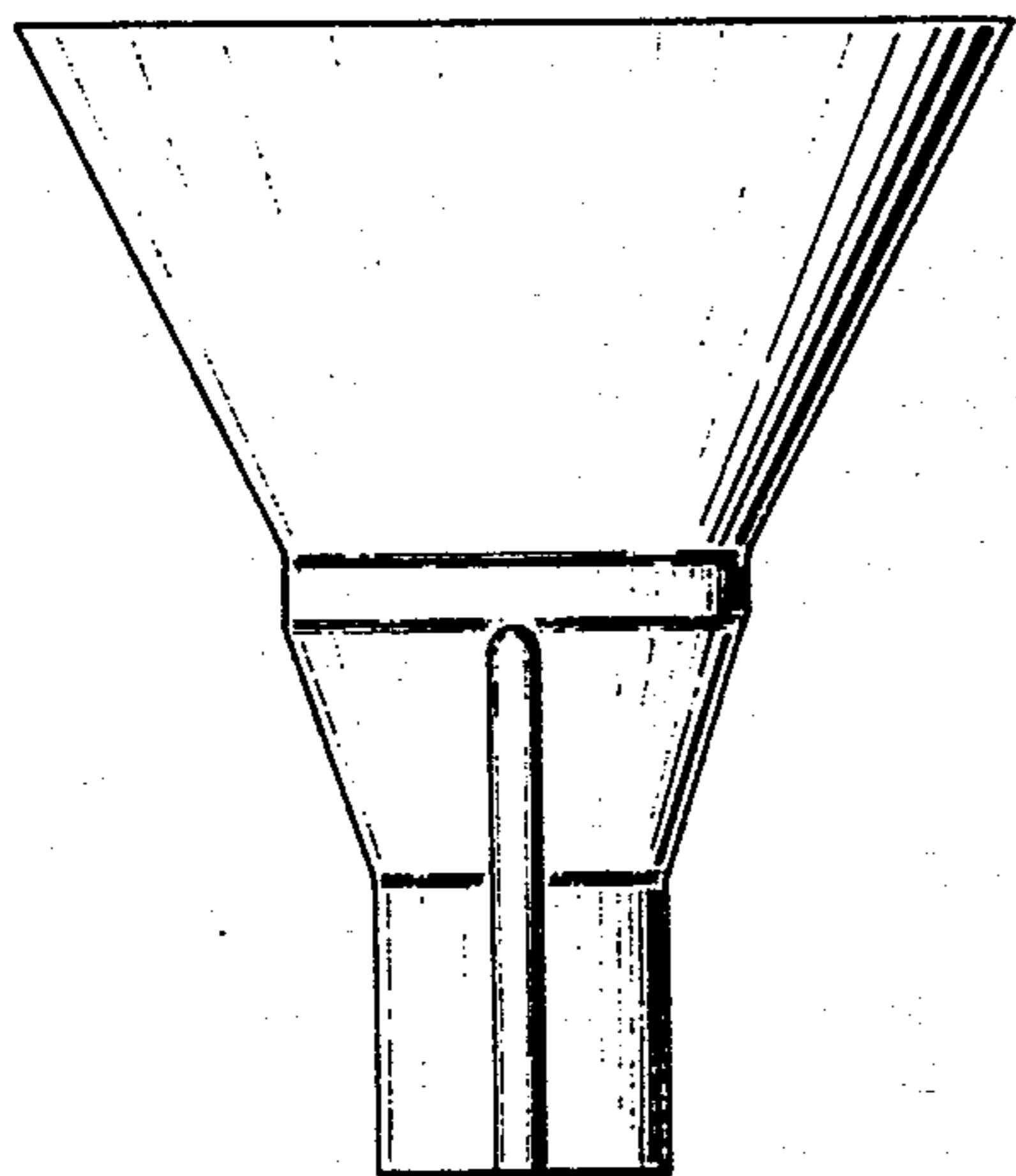


Fig 2

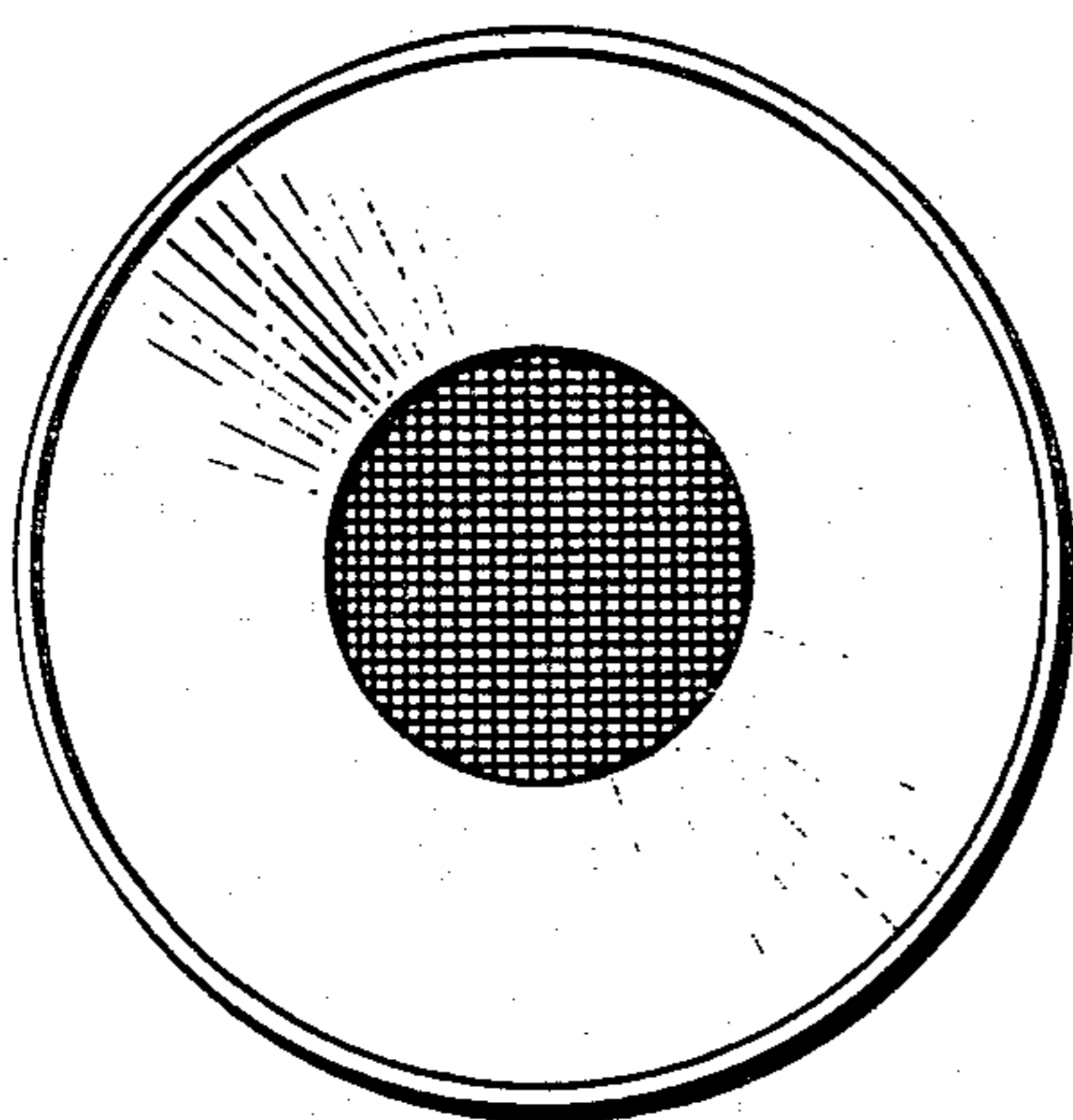


Fig 3

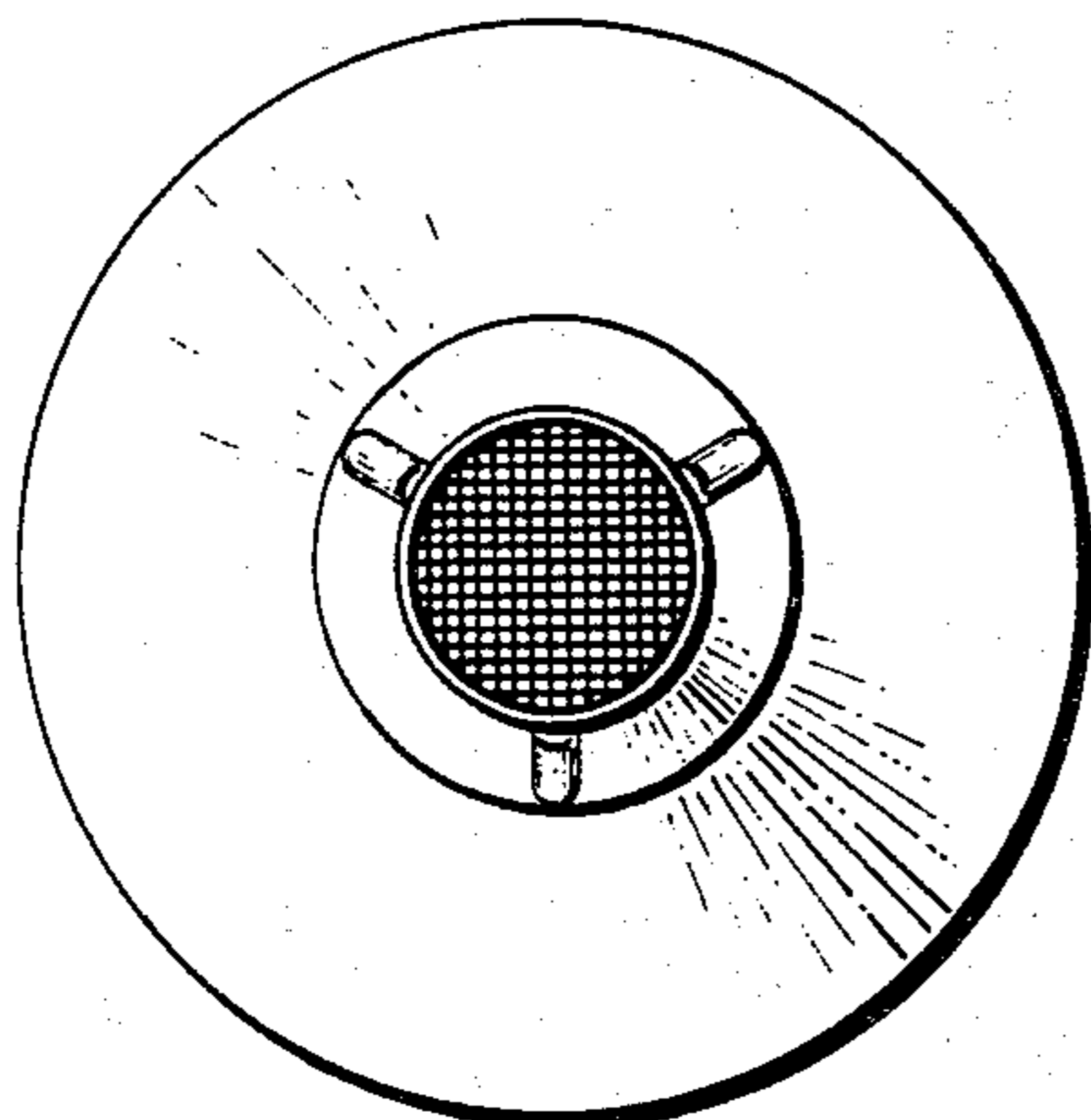


Fig 4

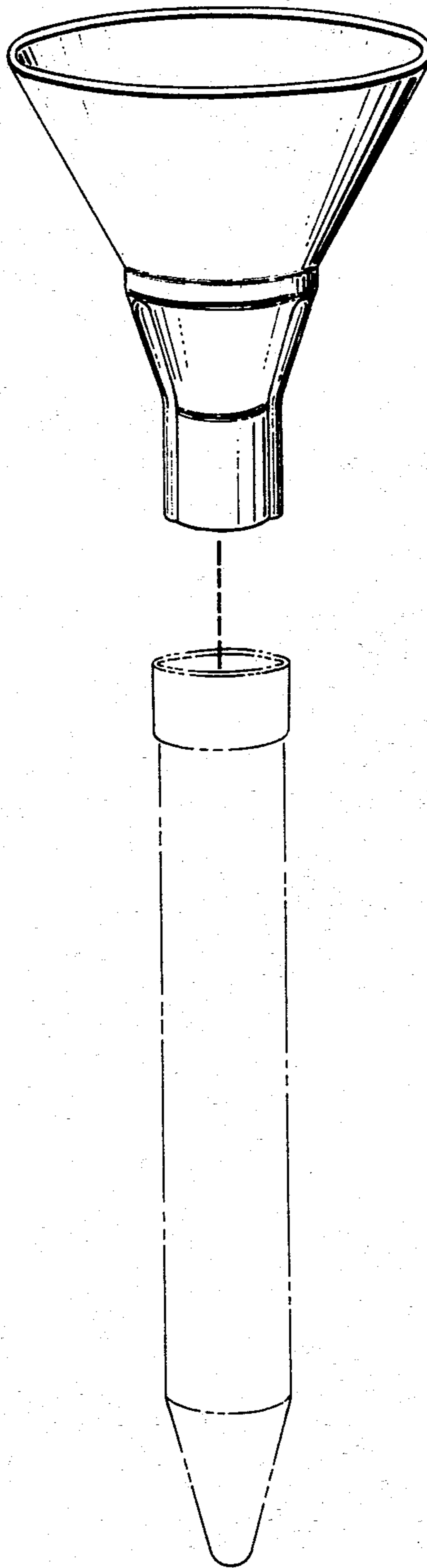


Fig 1