

[54] COMBINED TRIGGER SPRAYER AND CONTAINER

[76] Inventor: Robert W. Hengesbach, 7886 Mentor Rd., Mentor, Ohio 44060

[**] Term: 14 Years

[21] Appl. No.: 605,649

[22] Filed: Apr. 30, 1984

3,076,608	2/1963	Valles	239/526
3,112,884	12/1963	Gilmour	239/526
3,432,104	3/1969	Kaltenbach	239/328
3,632,046	1/1972	Hengesbach	239/318
3,711,028	1/1973	Hengesbach	239/288.5
3,727,841	4/1973	Hengesbach	239/145
3,829,023	8/1974	Bouillard et al.	239/526 X
4,035,004	7/1977	Hengesbach	239/166
4,449,696	5/1984	Hengesbach	239/283 X
4,471,911	9/1984	Hengesbach	239/327 X
4,473,328	9/1984	Hengesbach	239/310 X
4,491,254	1/1985	Hengesbach	239/307
4,494,699	1/1985	Hengesbach	239/499

Related U.S. Application Data

[63] Continuation-in-part of Ser. No. 461,874, Jan. 28, 1983.

[52] U.S. Cl. D23/18

[58] Field of Search D23/17-18; D23/34-38, 239/71, 154, 288-290, 318, 322, 337, 414, 428.5, 436, 525-528, 532, 569, 591, 499, 307, 310-315, 327, 283, 166, 145, 328, 408, 344, 354, 128/1 R; 51/427; 222/594

References Cited

U.S. PATENT DOCUMENTS

Re. 18,813	5/1933	Buchanan	239/354
D. 270,368	8/1983	Grime	D23/18
1,036,871	8/1912	Matheson	239/318 X
1,948,533	2/1934	Neely	239/314
1,988,979	1/1935	Campbell	239/288 X
2,125,573	8/1938	Kelley, Jr.	239/354 X
2,133,149	10/1938	Poncelet	51/427
2,293,390	8/1942	Hengesbach	239/318
2,302,799	11/1942	Peterson	239/344
2,310,633	2/1943	Heimbürger	239/335
2,577,465	12/1951	Jones et al.	239/591 X
2,788,926	4/1957	Morrison	222/394
2,919,073	12/1959	Akselrad et al.	239/408
2,965,309	12/1960	Parrott	239/310
3,032,029	5/1962	Glesener	128/1 R X

OTHER PUBLICATIONS

Brochure, Tri-Con, Inc., 4 pages, Dated 1/1/1977, entitled: We Make The System.

Brochure, Spraying Systems Co., Catalog 27, 90 pages, 1978, entitled Spray Nozzles and Accessories.

Brochure, Spraying Systems Co., Bulletin 179F, 8 pages, 1971, entitled Spray Nozzles, Spray Guns, Valves and Accessories.

Primary Examiner—James R. Largen

Assistant Examiner—Brian N. Vinson

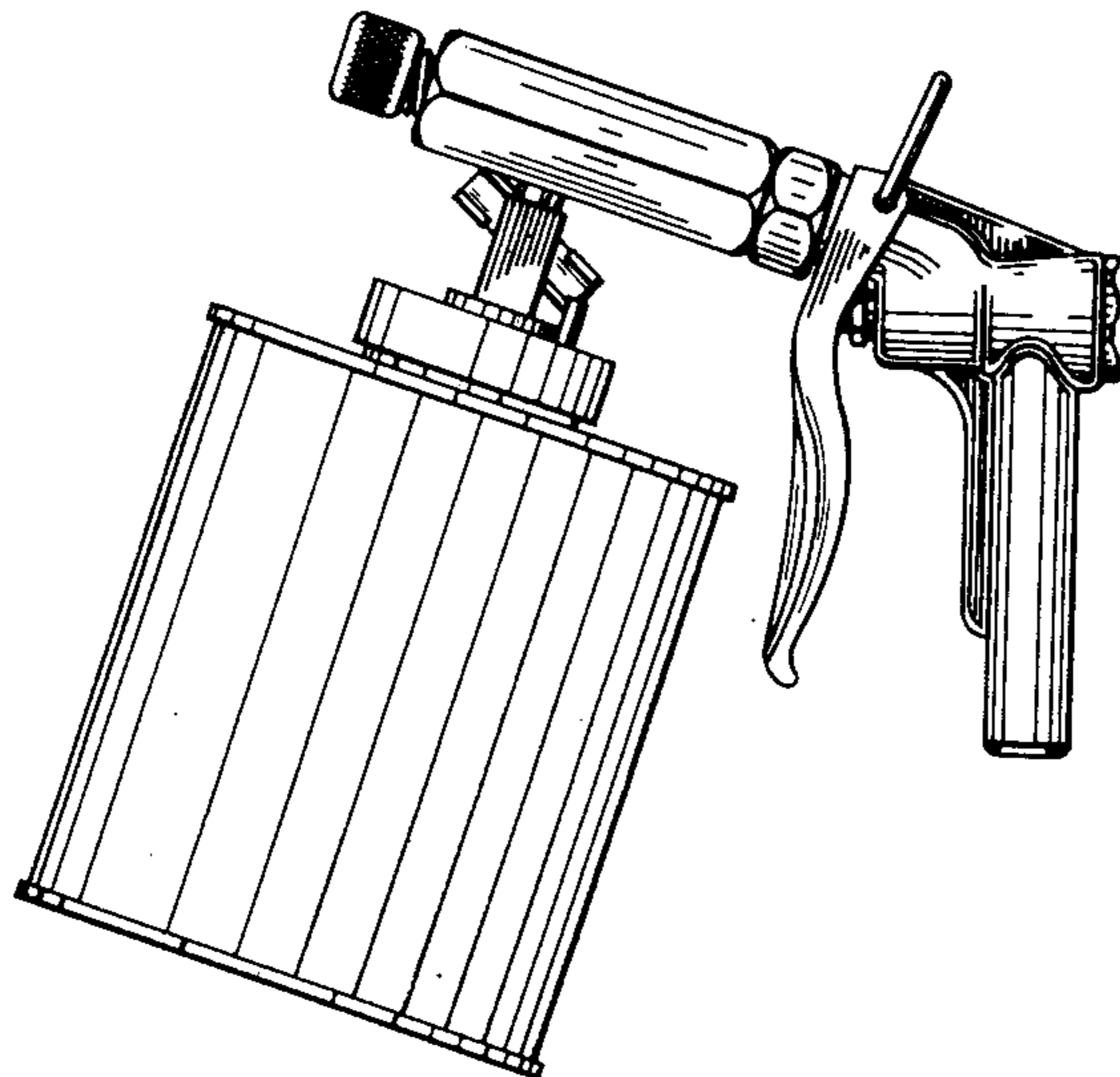
Attorney, Agent, or Firm—David A. Burge

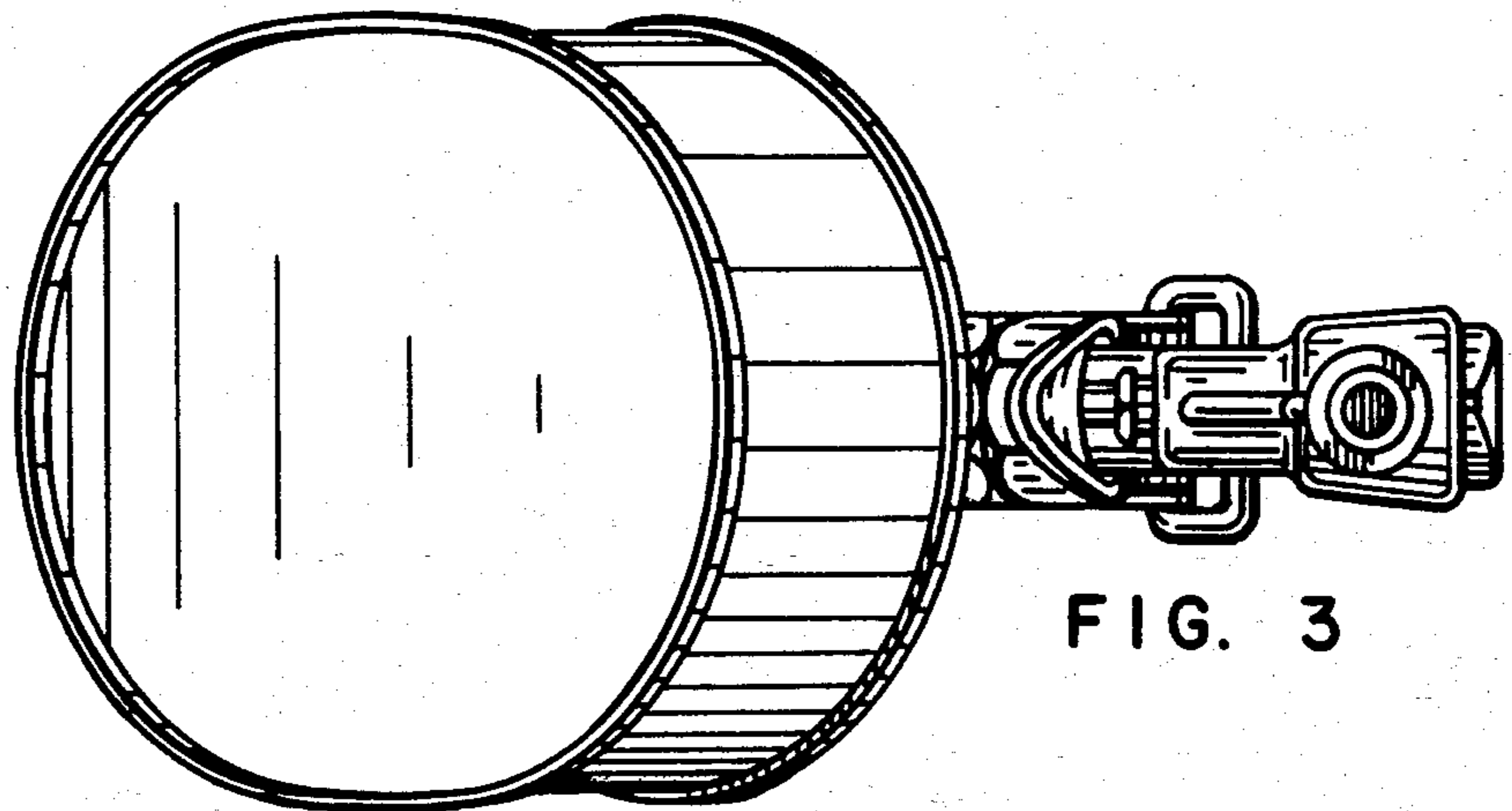
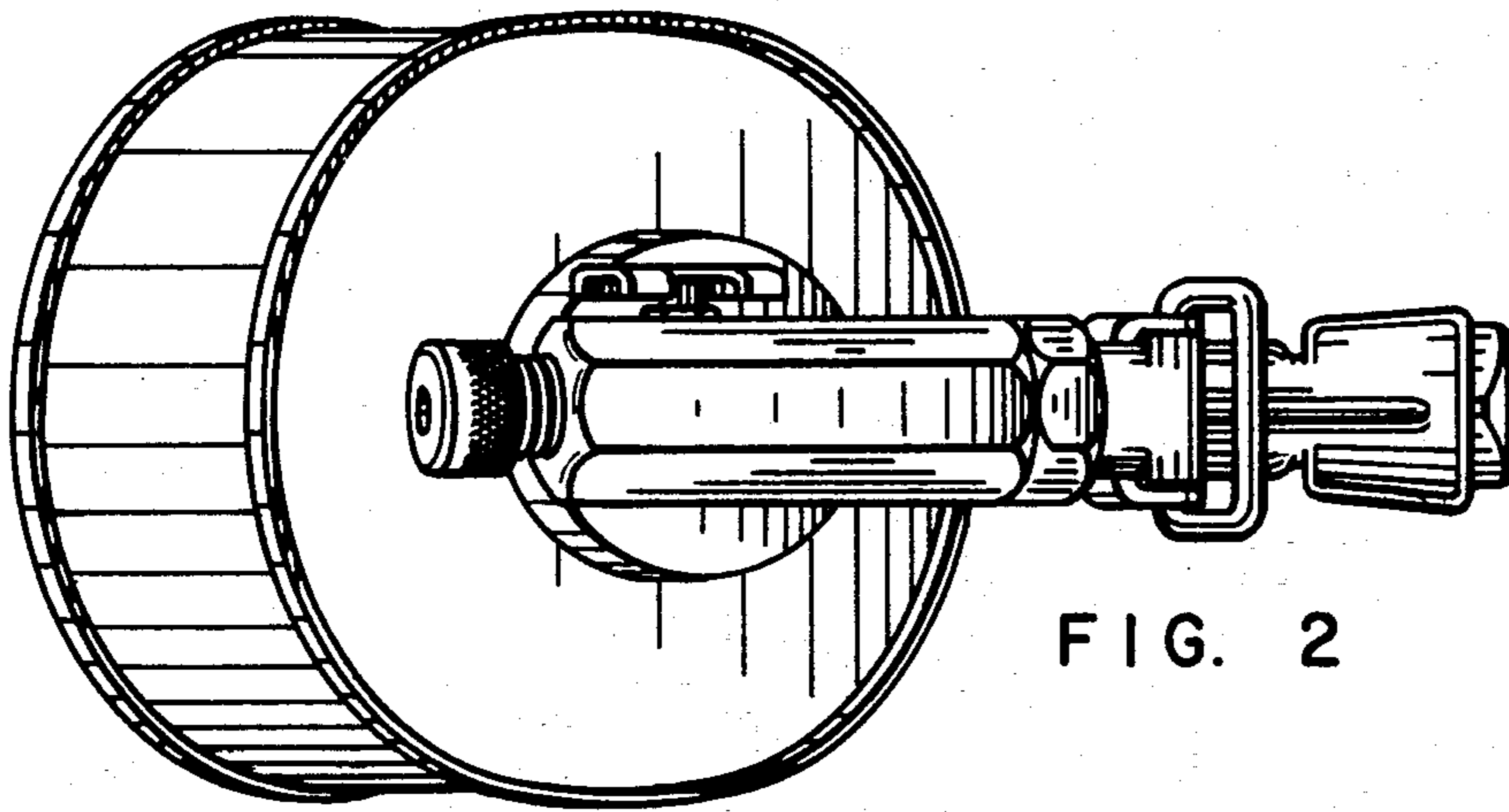
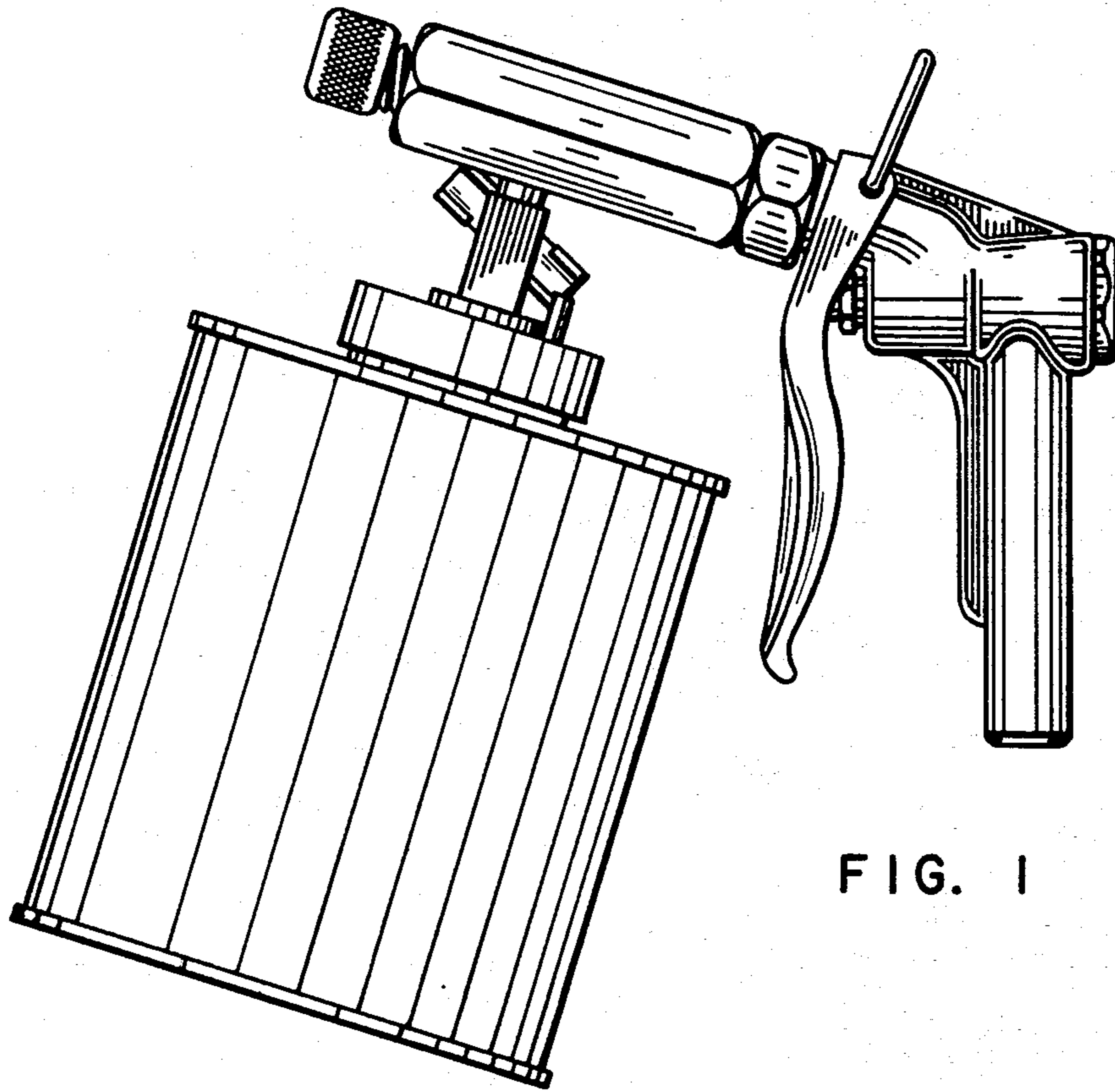
[57] CLAIM

The ornamental design for a combined trigger sprayer and container, as shown and described.

DESCRIPTION

FIG. 1 is a right side elevation of a combined trigger sprayer and container showing my new design; FIG. 2 is a top plan view thereof; FIG. 3 is a bottom plan view thereof; FIG. 4 is a front elevation thereof; FIG. 5 is a rear elevation thereof; and FIG. 6 is a left side elevation thereof.





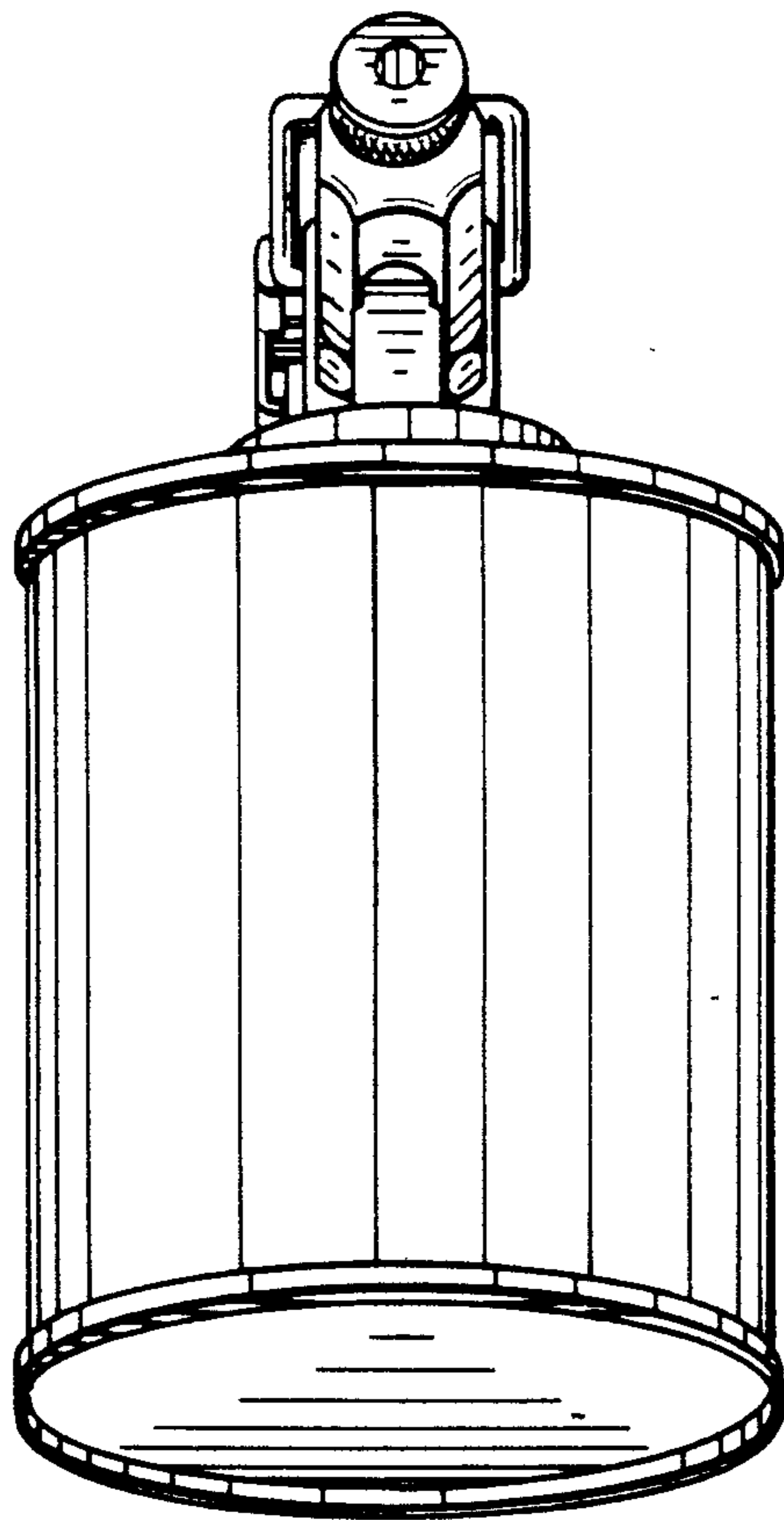


FIG. 4

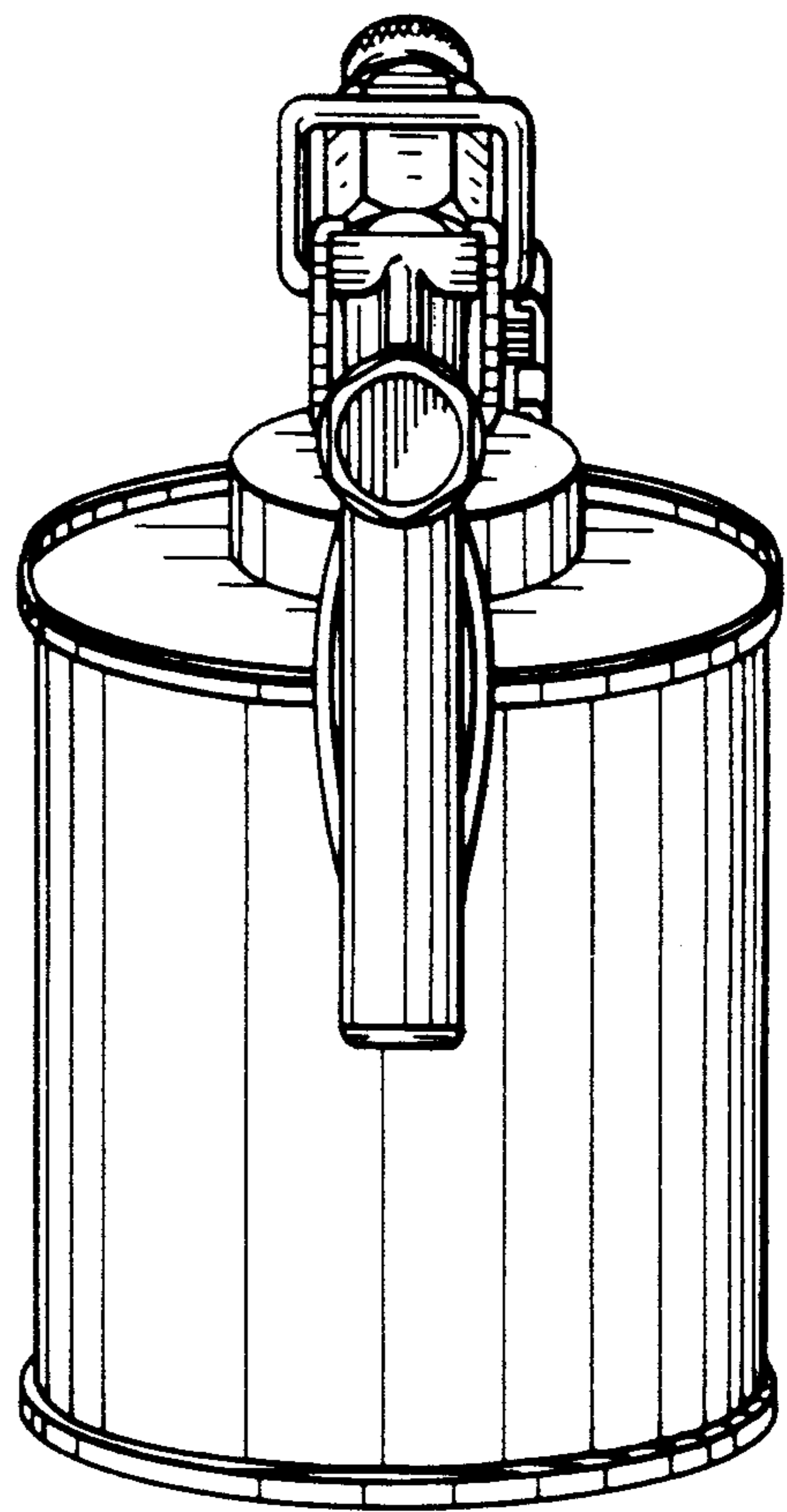


FIG. 5

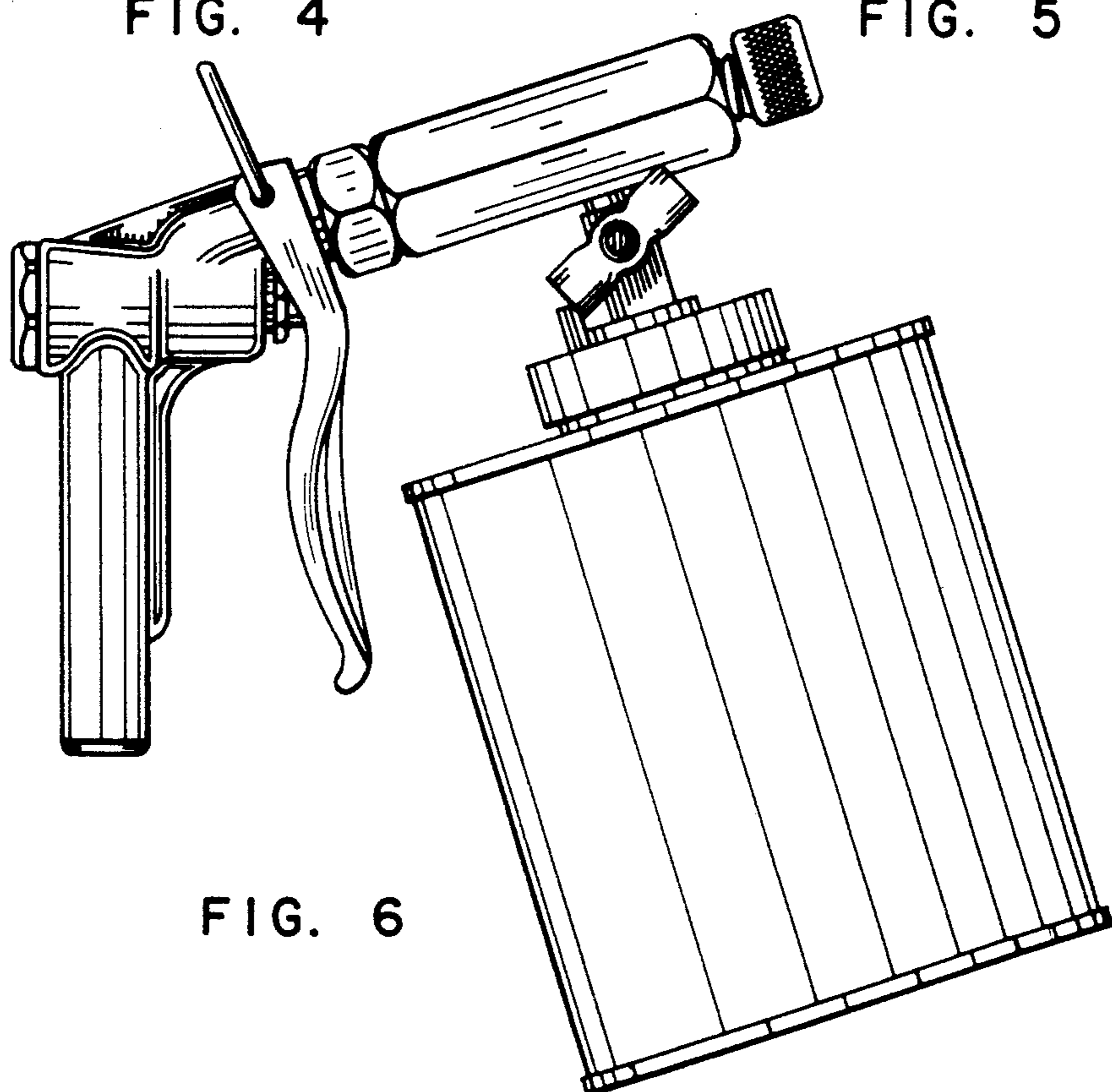


FIG. 6