

[54] **IMPACT DRIVE SPRINKLER**

[75] Inventor: **Hans D. Christen, LaVerne, Calif.**

[73] Assignee: **Rain Bird Sprinkler Mfg. Corp., Glendora, Calif.**

[**] Term: **14 Years**

[21] Appl. No.: **606,174**

[22] Filed: **May 2, 1984**

[52] U.S. Cl. **D23/7**

[58] Field of Search **D23/6-9; 239/230-233, 591**

3,930,617 1/1976 Dunmire 239/230
 4,216,913 8/1980 Troup 239/230 X

FOREIGN PATENT DOCUMENTS

943081 5/1956 Fed. Rep. of Germany 239/231

Primary Examiner—Wallace R. Burke
Assistant Examiner—Brian N. Vinson
Attorney, Agent, or Firm—Kelly, Bauersfeld & Lowry

[57] **CLAIM**

The ornamental design for an impact drive sprinkler, substantially as shown.

DESCRIPTION

FIG. 1 is a right side elevational view of an impact drive sprinkler embodying my new design;
 FIG. 2 is a top plan view thereof;
 FIG. 3 is a bottom plan view thereof;
 FIG. 4 is a front elevational view thereof;
 FIG. 5 is a rear elevational view thereof;
 FIG. 6 is a left side elevational view thereof.

[56] **References Cited**
U.S. PATENT DOCUMENTS

2,793,911 5/1957 Dudley 239/261 X
 3,434,665 3/1969 Royer 239/233 X
 3,744,720 5/1973 Meyer 239/231
 3,918,643 11/1975 Malcolm 239/230

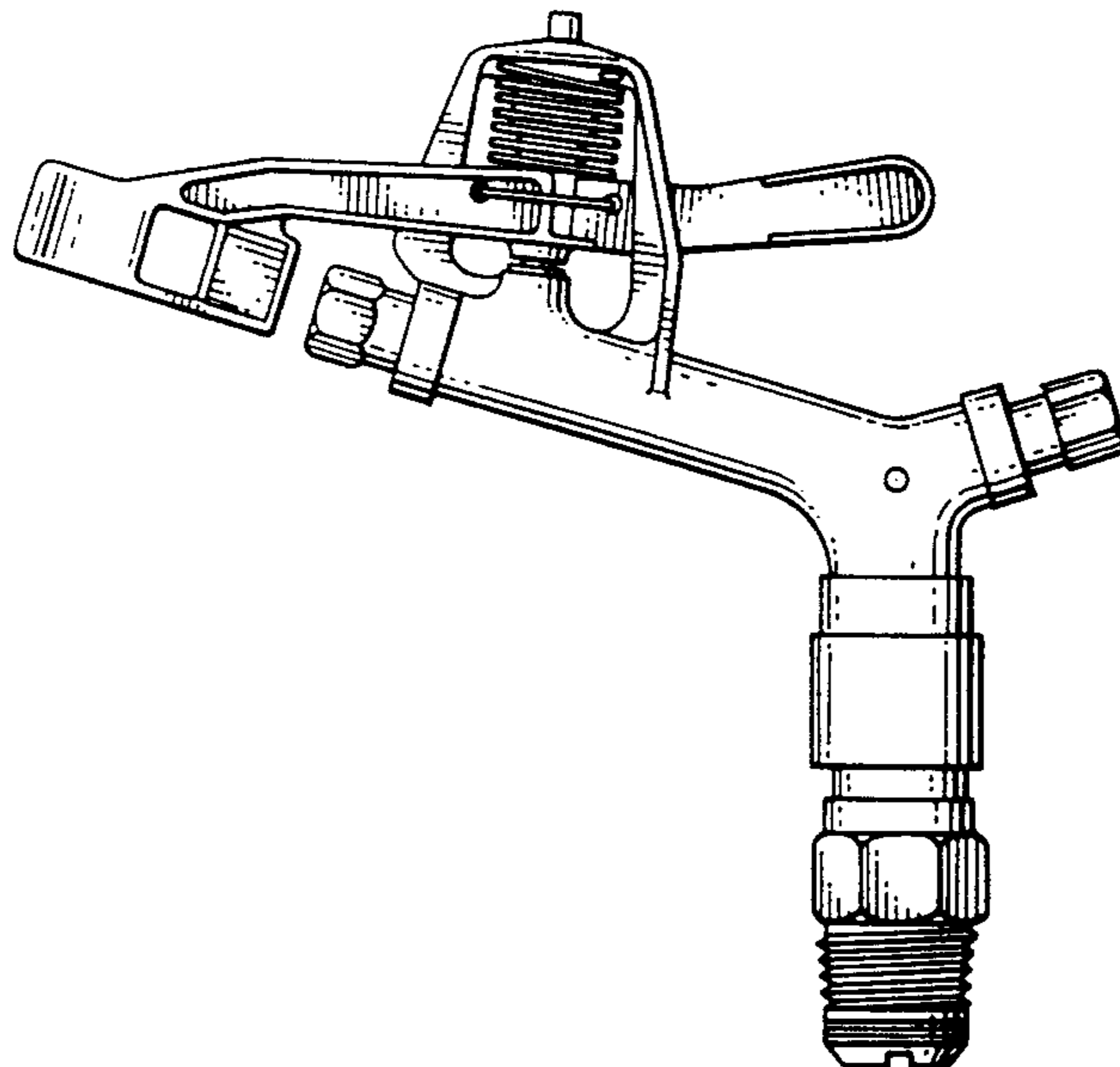


Fig. 2

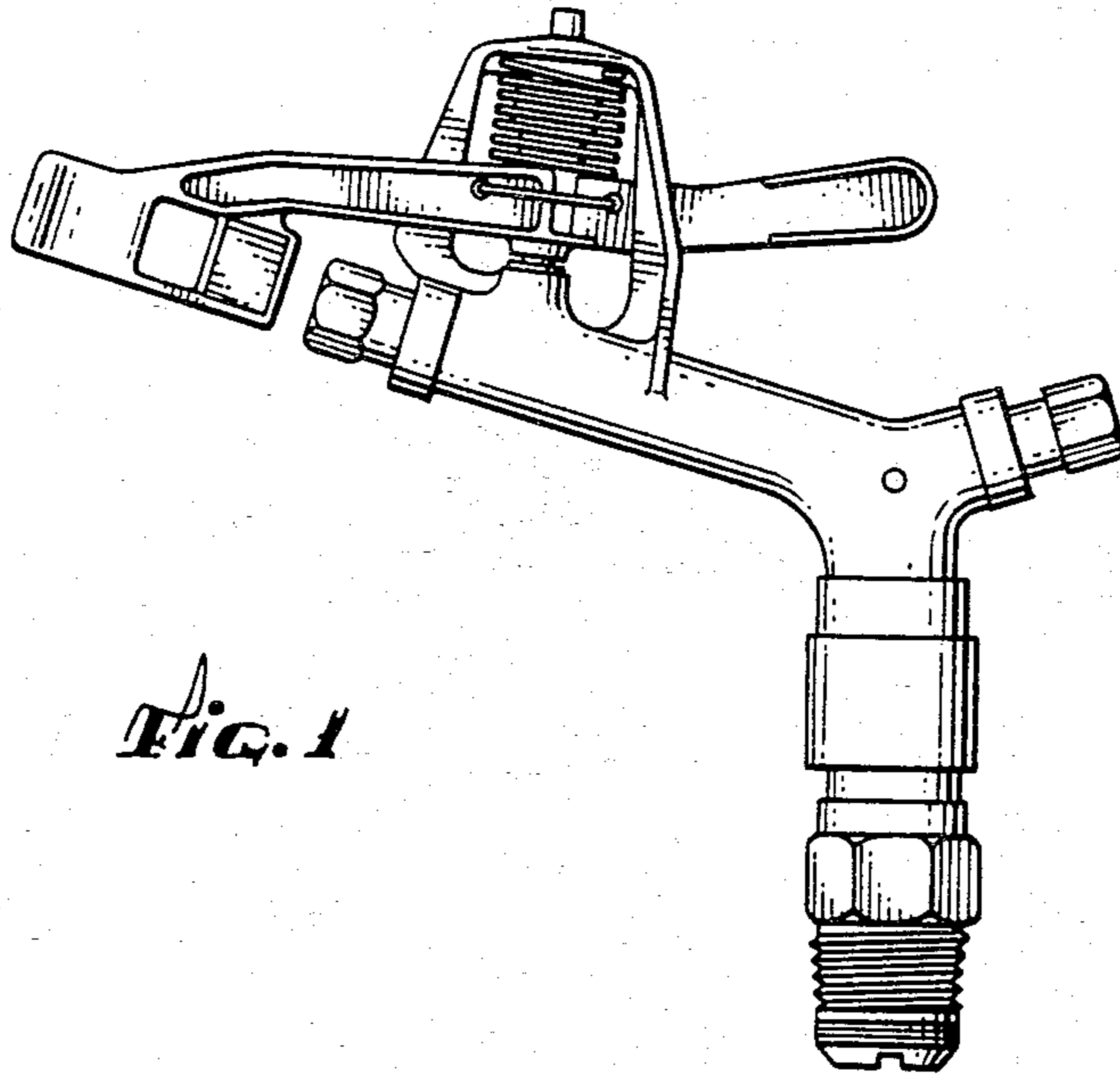
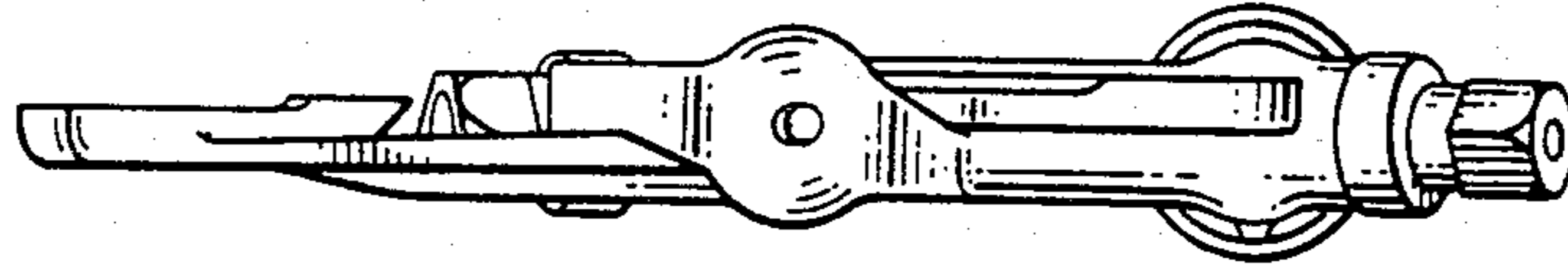
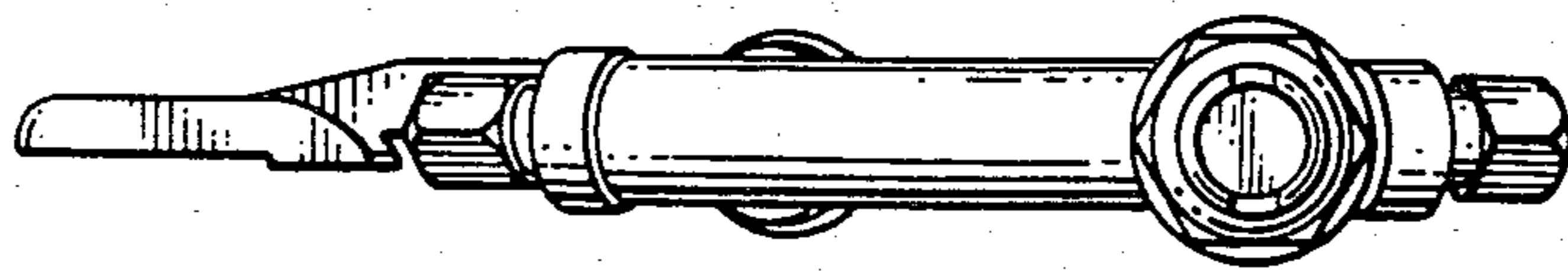


Fig. 1

Fig. 3



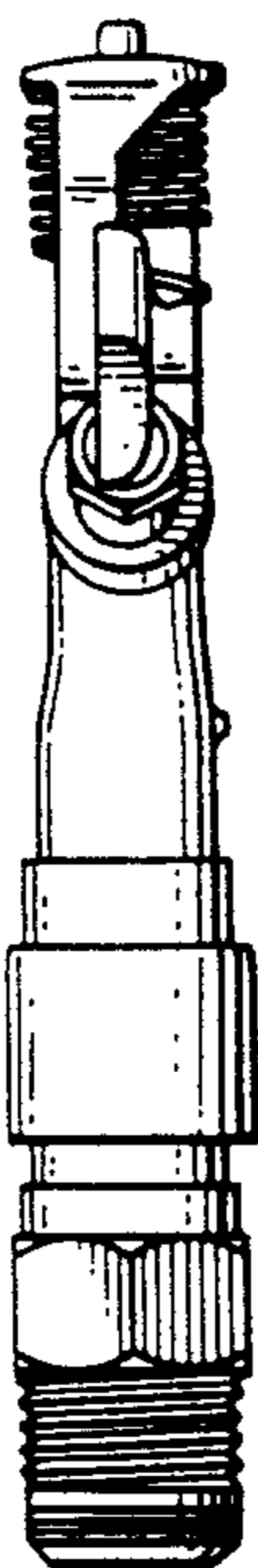


Fig. 4

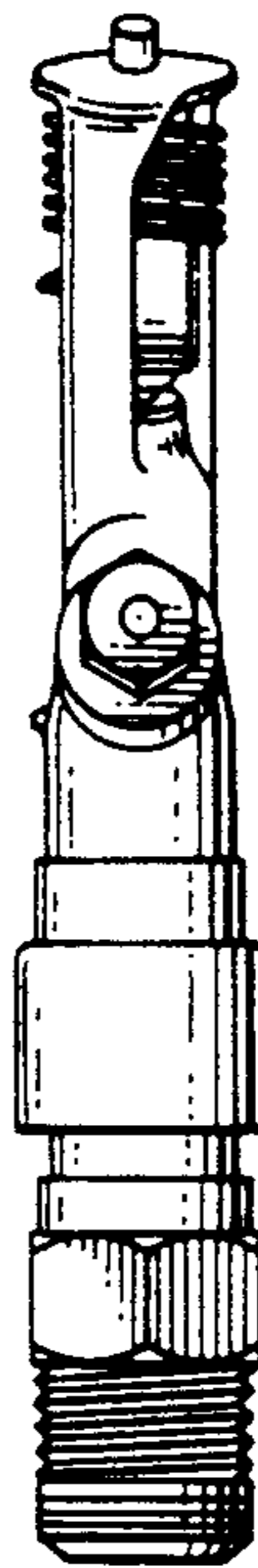


Fig. 5

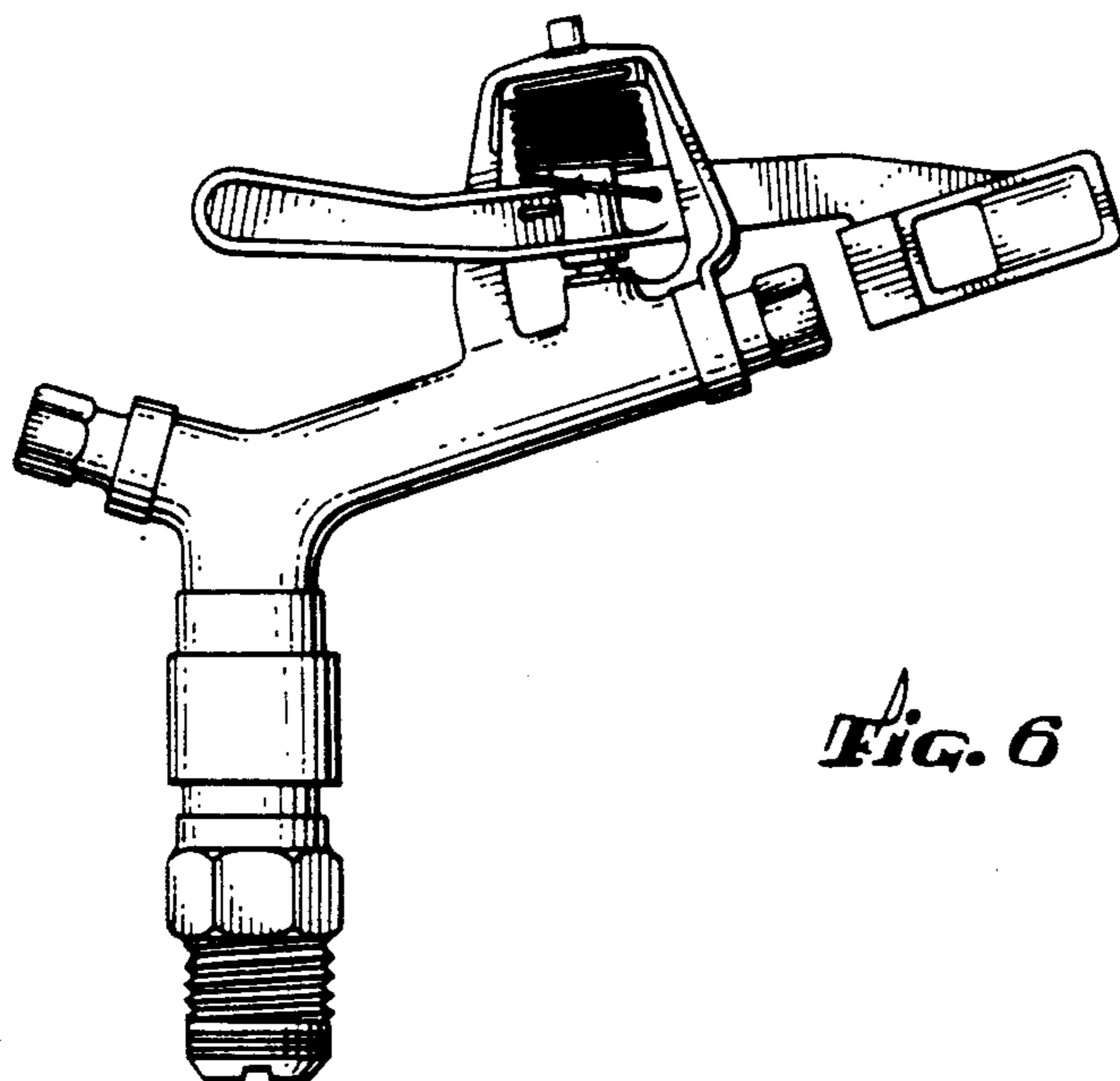


Fig. 6