

[54] **ROWING MACHINE**

[75] **Inventor: Dan E. Gremonprez, West Bend, Wis.**

[73] **Assignee: Dart Industries Inc., Northbrook, Ill.**

[\*\*] **Term: 14 Years**

[21] **Appl. No.: 697,192**

[22] **Filed: Feb. 1, 1985**

[52] **U.S. Cl. .... D21/195**

[58] **Field of Search ..... D21/191, 195, 198;  
272/72, 143, 134, 144, 143, 145, 79**

[56] **References Cited**

**U.S. PATENT DOCUMENTS**

D. 268,194	3/1983	Smith .....	D21/195
D. 268,277	3/1983	Smith .....	D21/191
D. 268,278	3/1983	Smith .....	D21/195
4,488,719	12/1984	Brown et al. ....	272/72
4,541,627	9/1985	MacLean et al. ....	272/72

**OTHER PUBLICATIONS**

M&R Industries Inc. Flier, "Auita 850" Aerobic Rower.

Abercrombie & Fitch Catalog, p. 19, Item C, "Tunturi Rower".

*Primary Examiner*—Charles A. Rademaker

*Attorney, Agent, or Firm*—Gregory J. Mancuso

[57] **CLAIM**

The ornamental design for a rowing machine, substantially as shown and described.

**DESCRIPTION**

FIG. 1 is a perspective view of a rowing machine showing my new design;

FIG. 2 is a side elevational view thereof;

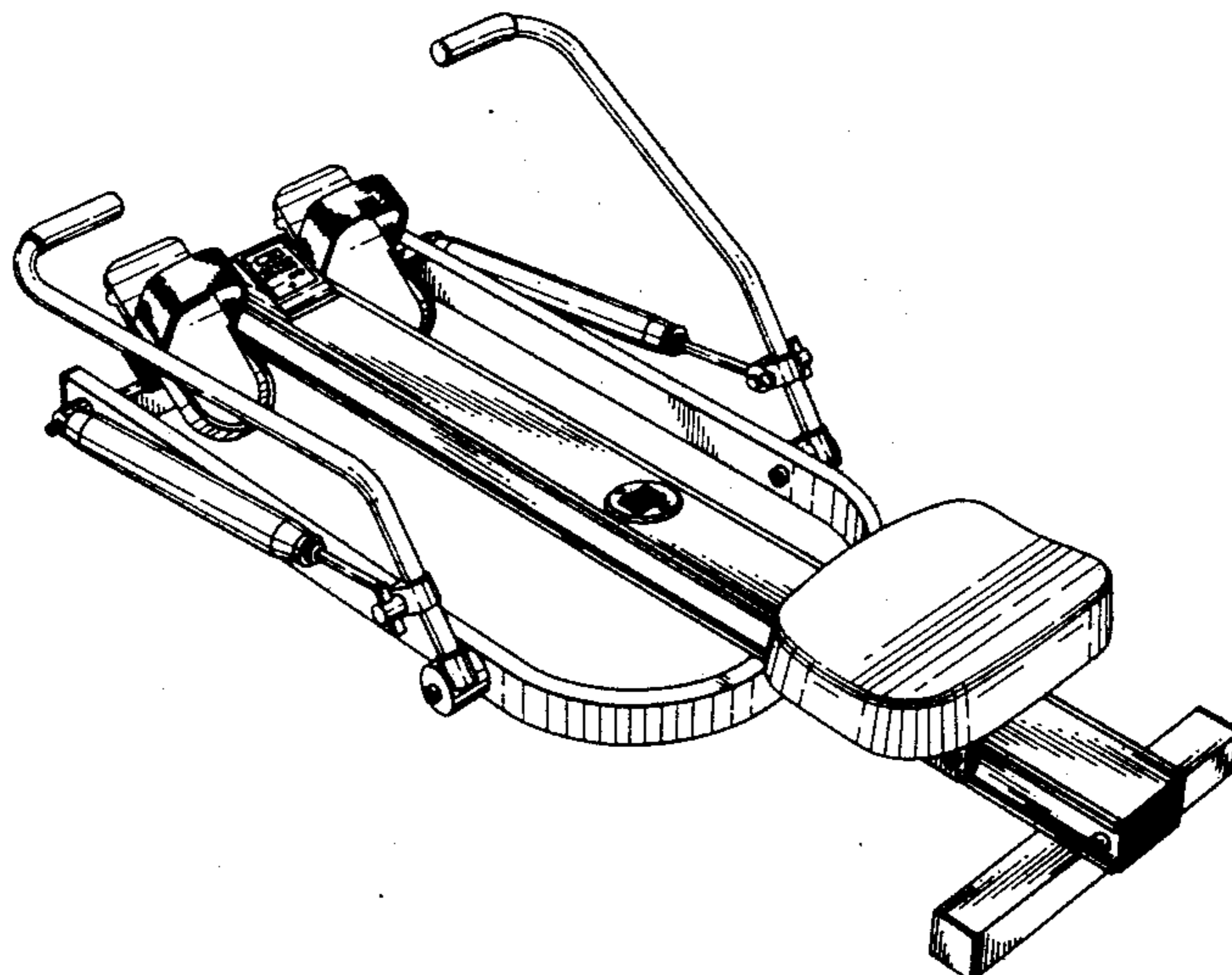
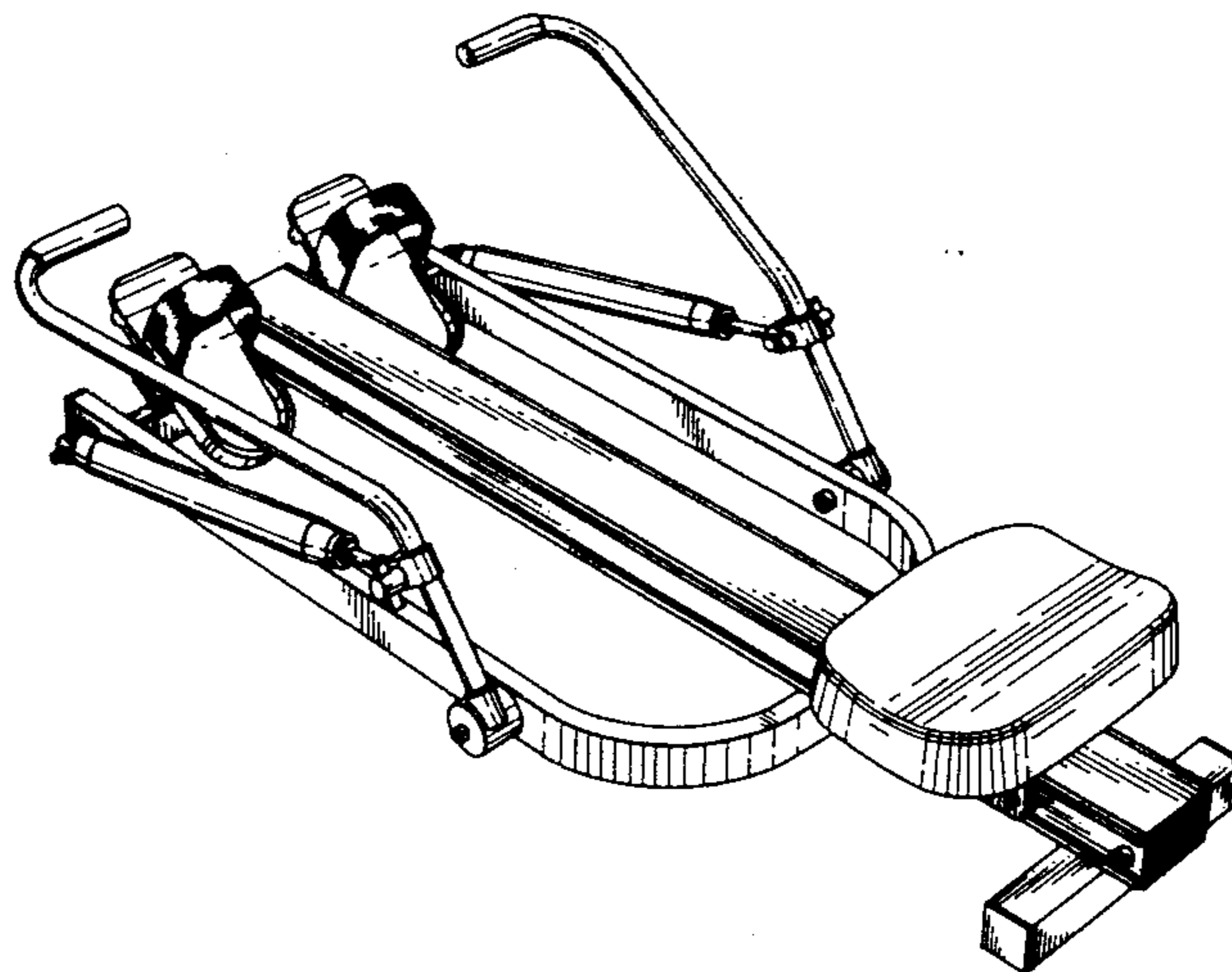
FIG. 3 is a front elevational view thereof;

FIG. 4 is a rear elevational view thereof;

FIG. 5 is a top plan view thereof;

FIG. 6 is a bottom plan view thereof; and,

FIG. 7 is a perspective view of a modified embodiment of the design shown in FIGS. 1 through 6.



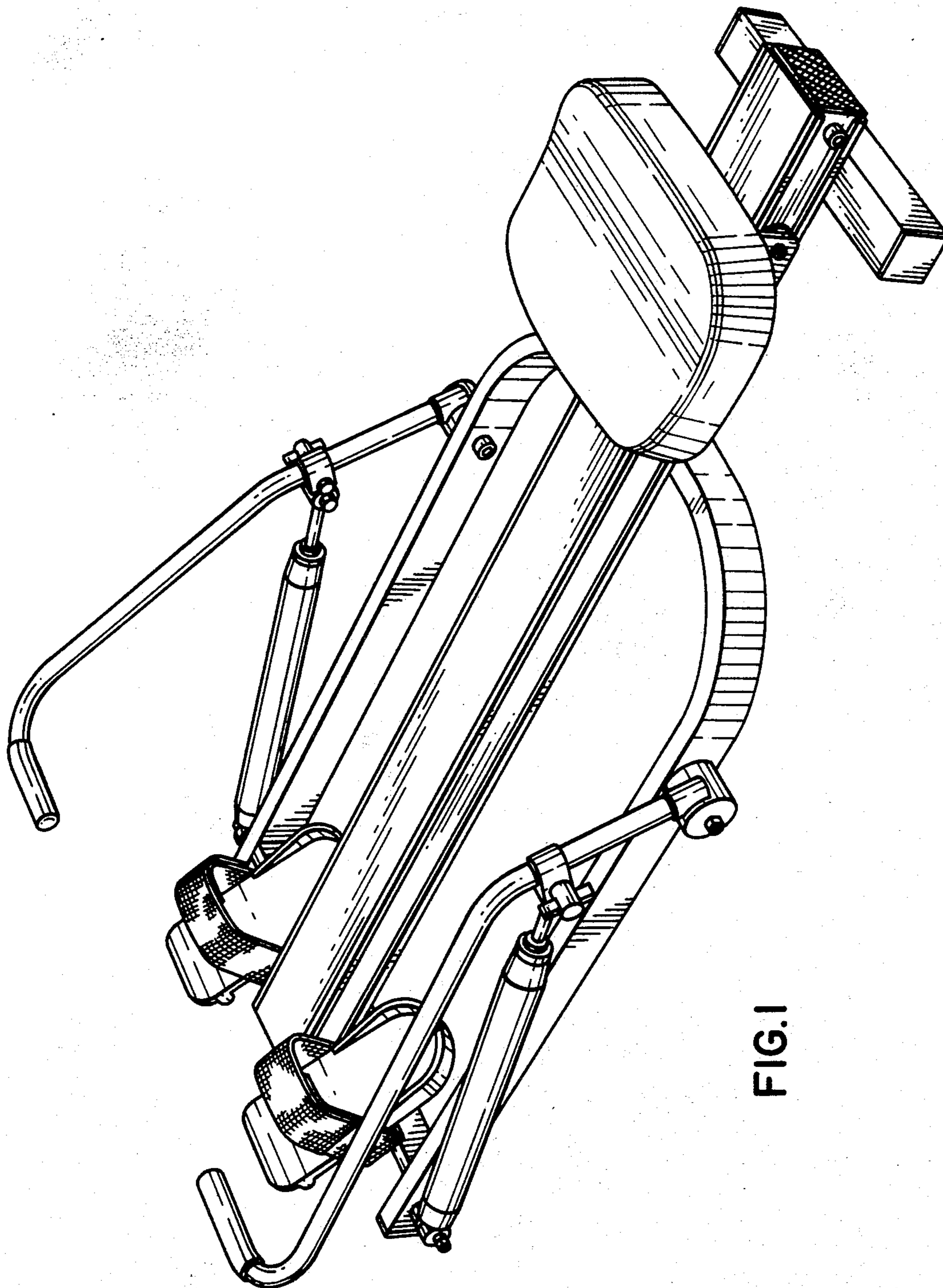


FIG. 1

FIG. 2

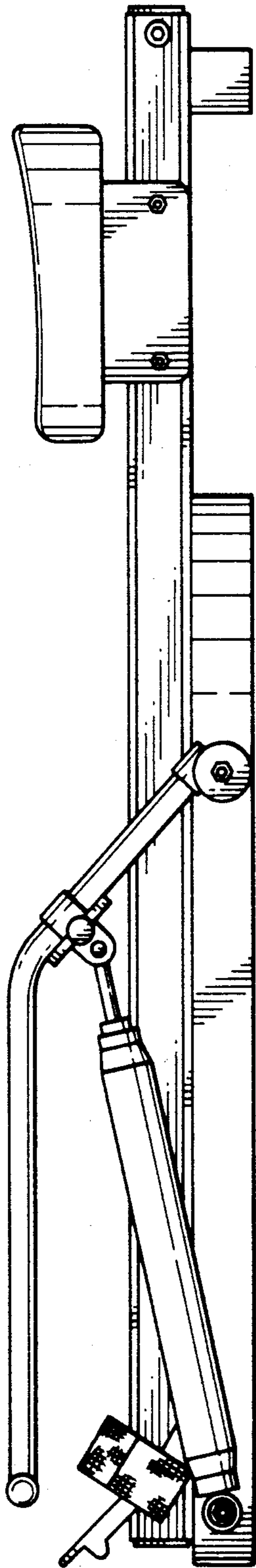


FIG. 3

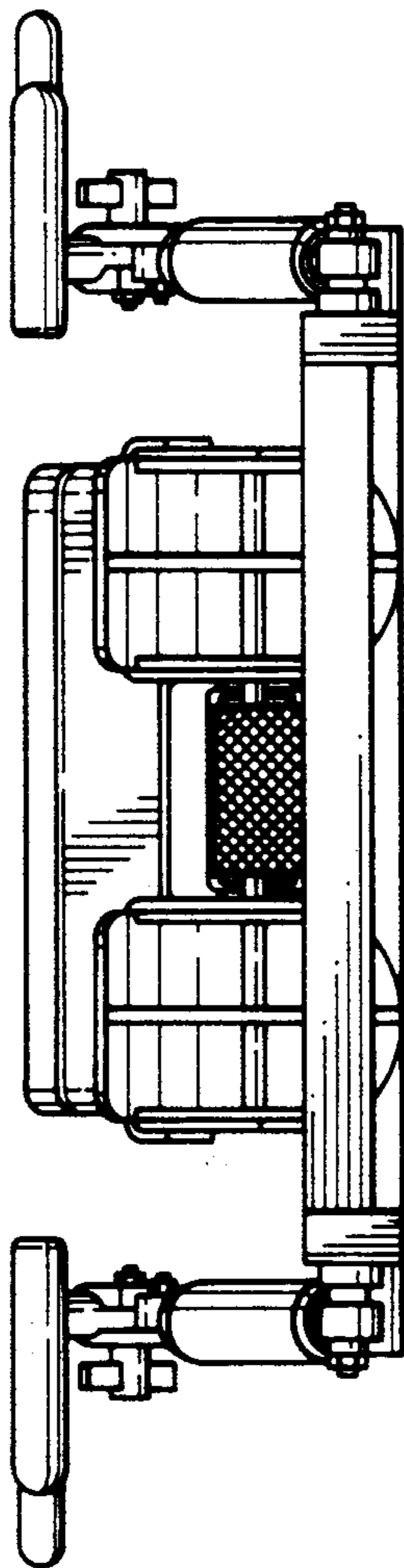
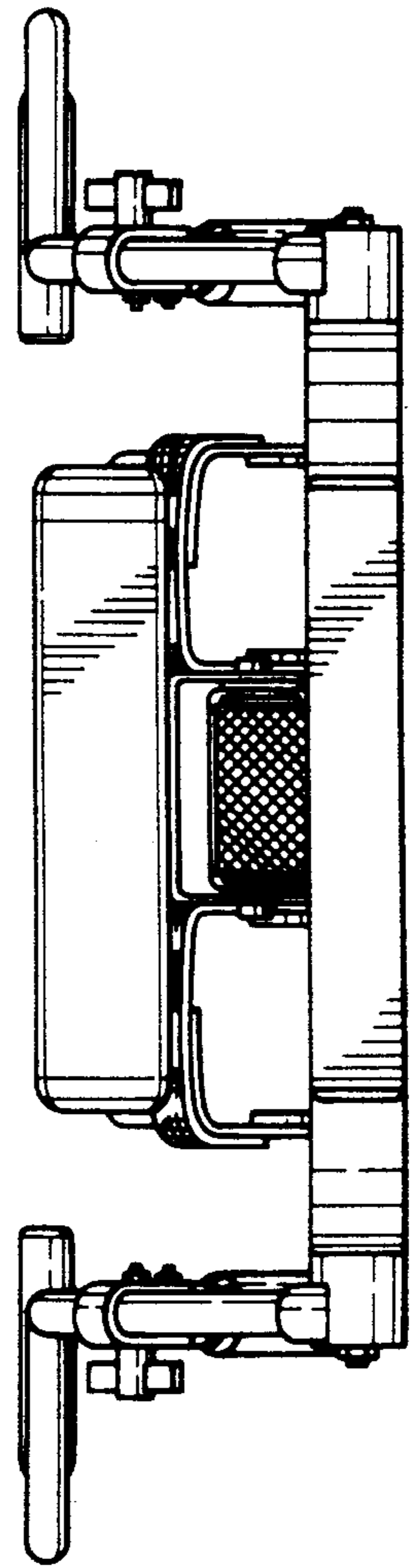


FIG. 4



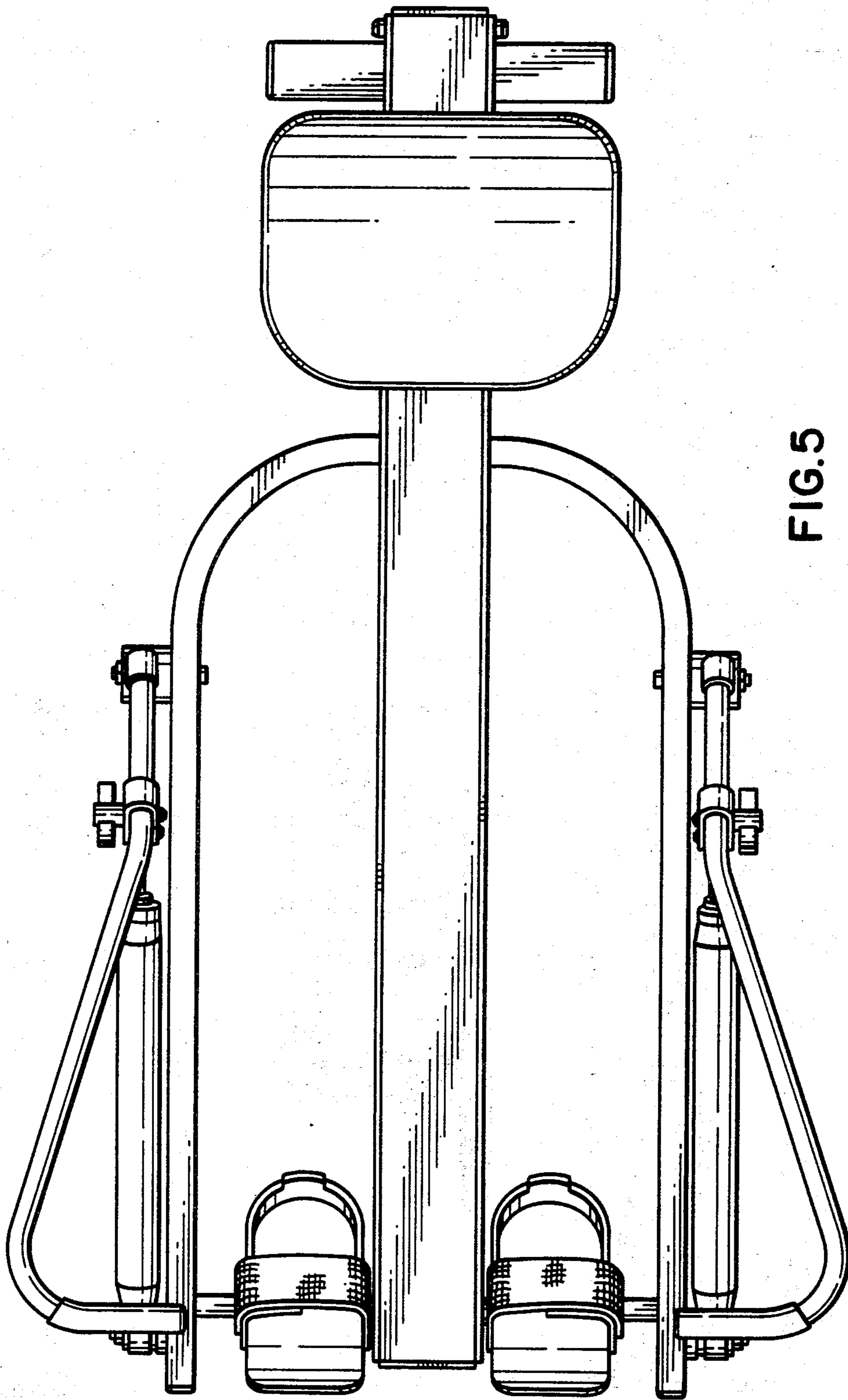


FIG.5

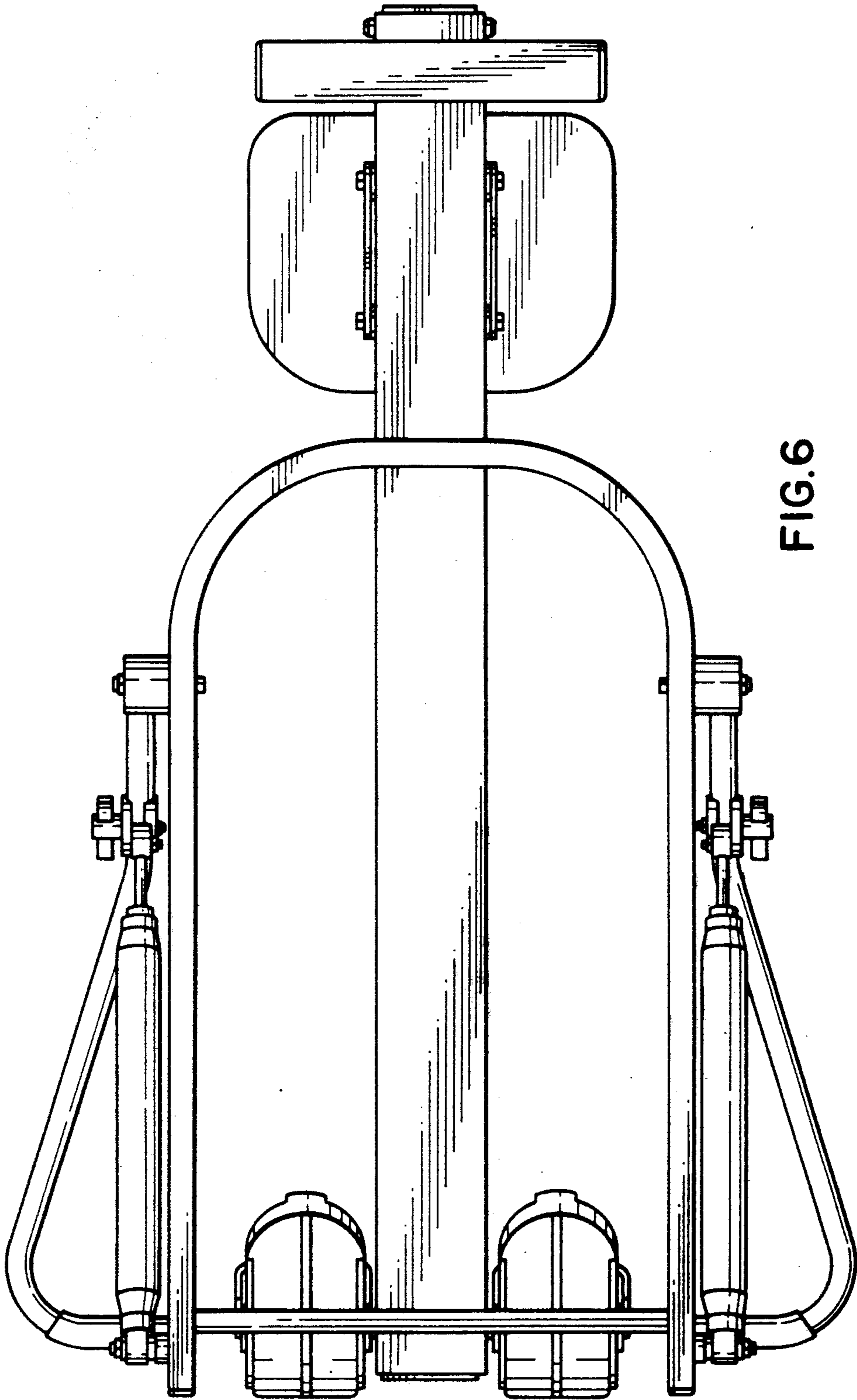


FIG. 6

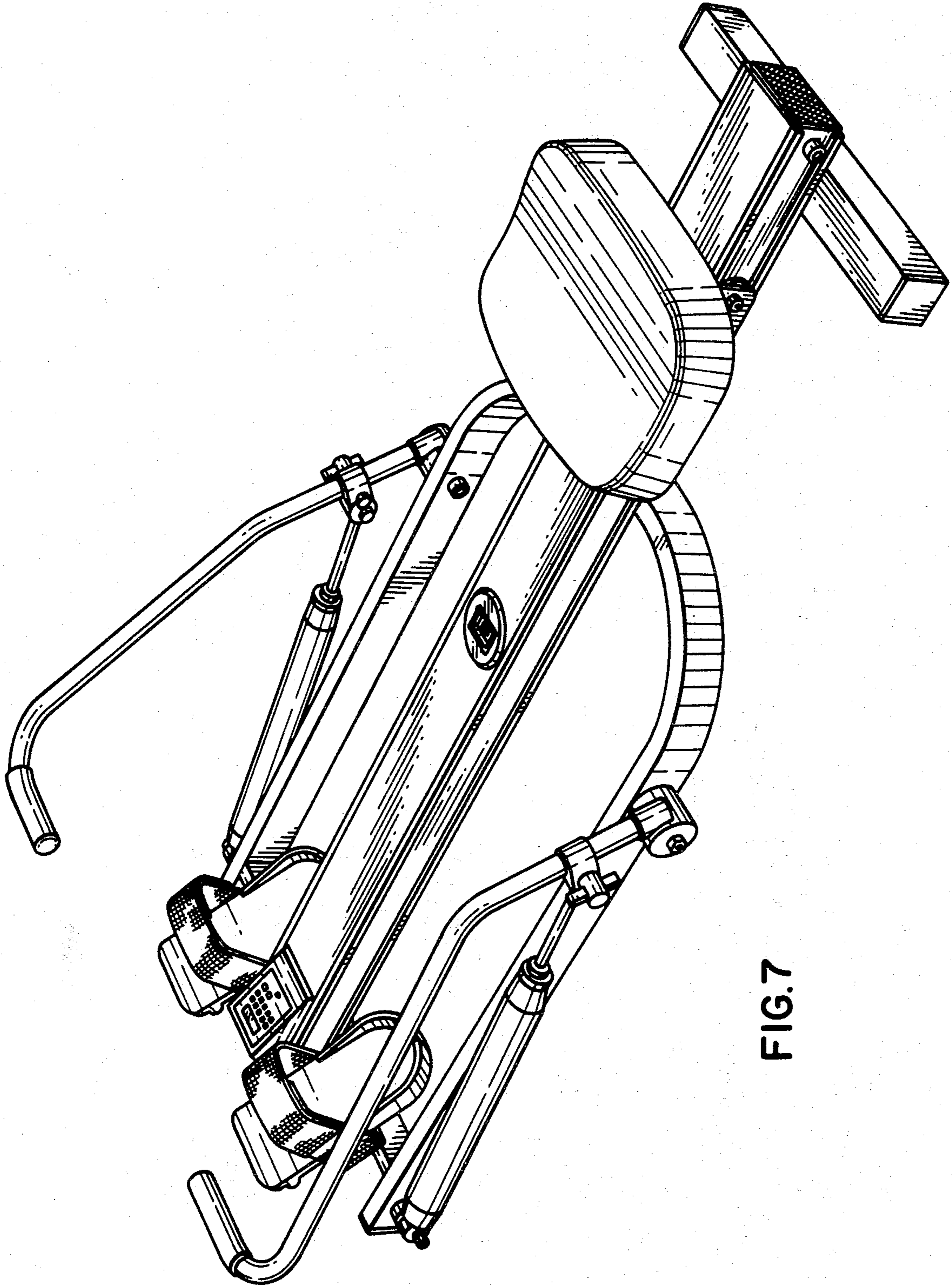


FIG. 7