

[54] RECONFIGURABLE TOY VEHICLE

[75] Inventor: Kouzin Ohno, Tokyo, Japan

[73] Assignee: Takara Co., Ltd., Tokyo, Japan

[**] Term: 14 Years

[21] Appl. No.: 596,624

[22] Filed: Apr. 4, 1984

[52] U.S. Cl. D21/136; D21/137; D21/150; D21/166

[58] Field of Search D21/128-140, D21/166, 177; 446/71, 72, 73, 74, 75, 77, 78; D12/90

[56] References Cited

U.S. PATENT DOCUMENTS

D. 222,160	10/1971	Rudd	D21/137
D. 246,126	10/1977	Ogawa	D21/150
D. 260,913	9/1981	Chapman	D21/137
D. 268,940	5/1983	Head	D21/137
D. 275,122	8/1984	Murakami	D21/150
D. 279,916	7/1985	Obara	D21/136
D. 281,087	10/1985	Ohno	D21/136

OTHER PUBLICATIONS

Hong Kong Toys, 1982, p., re Intercontinental Toy Co., Ltd., Toy Robot No. 11516.

Primary Examiner—Charles A. Rademaker
Attorney, Agent, or Firm—Price, Gess & Ubell

[57] CLAIM

The ornamental design for a reconfigurable toy vehicle, substantially as shown and described.

DESCRIPTION

FIG. 1 is a perspective view of a reconfigurable toy vehicle showing my new design;
 FIG. 2 is a top plan view thereof;
 FIG. 3 is a left side elevational view thereof, the side opposite being substantially a mirror image;
 FIG. 4 is a front elevational view thereof;
 FIG. 5 is a rear elevational view thereof;
 FIG. 6 is a bottom plan view thereof;
 FIG. 7 is a front elevational view of the design shown in FIGS. 1 through 6 reconfigured in a humanoid condition;
 FIG. 8 is a right side elevational view thereof, the side opposite being substantially a mirror image;
 FIG. 9 is a rear elevational view thereof;
 FIG. 10 is a top plan view thereof; and
 FIG. 11 is a bottom plan view thereof.

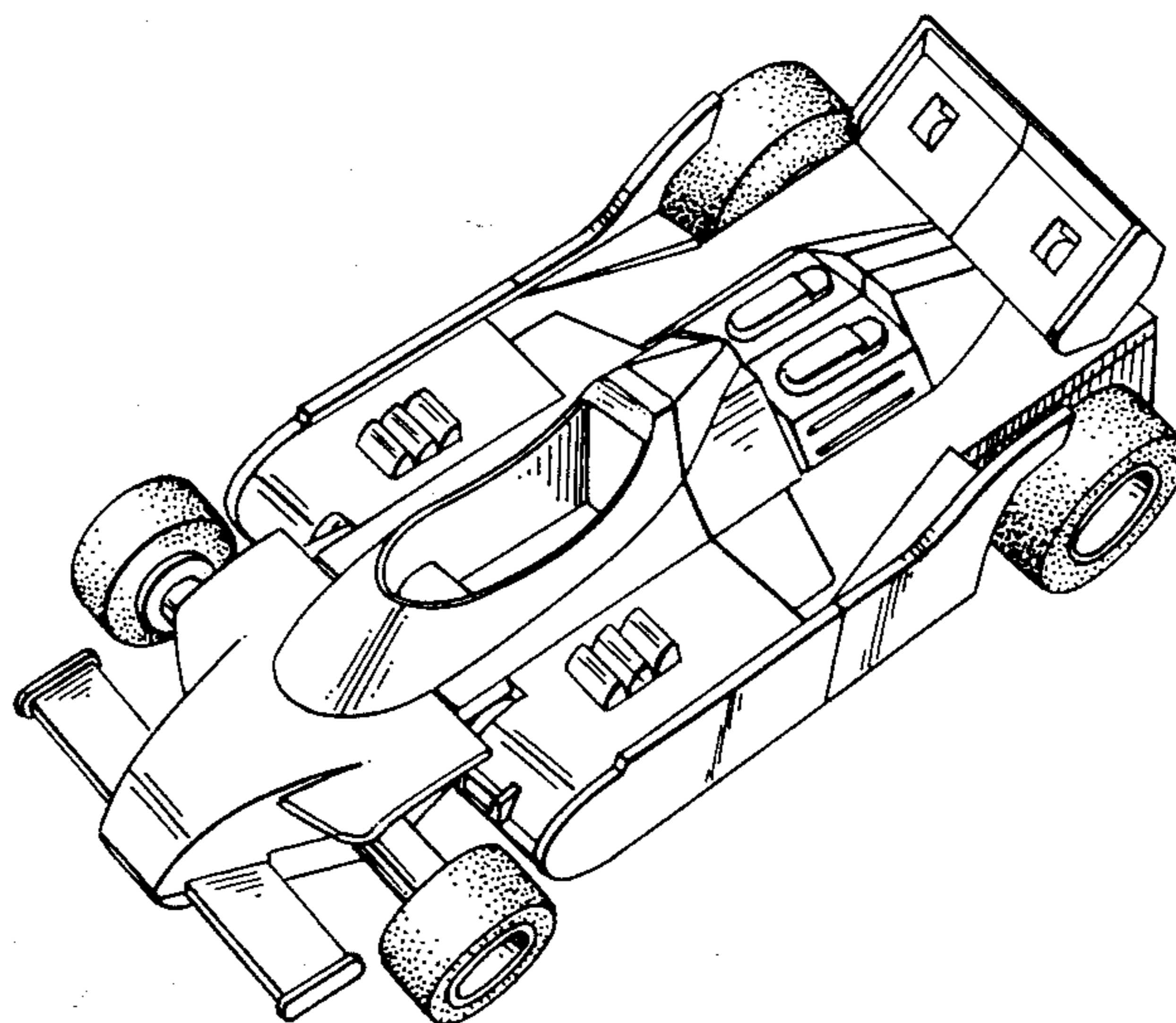


FIG. 1

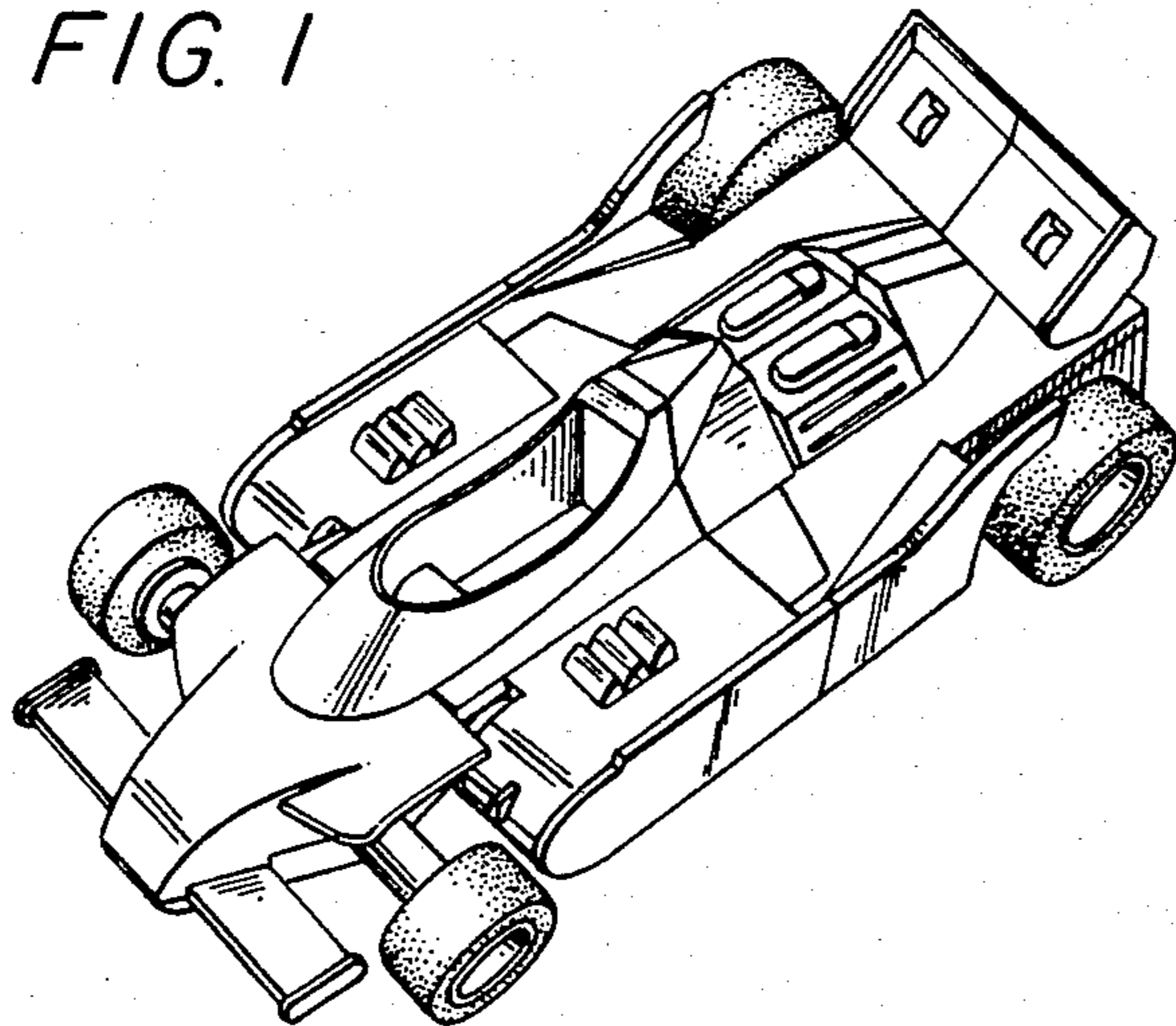


FIG. 2

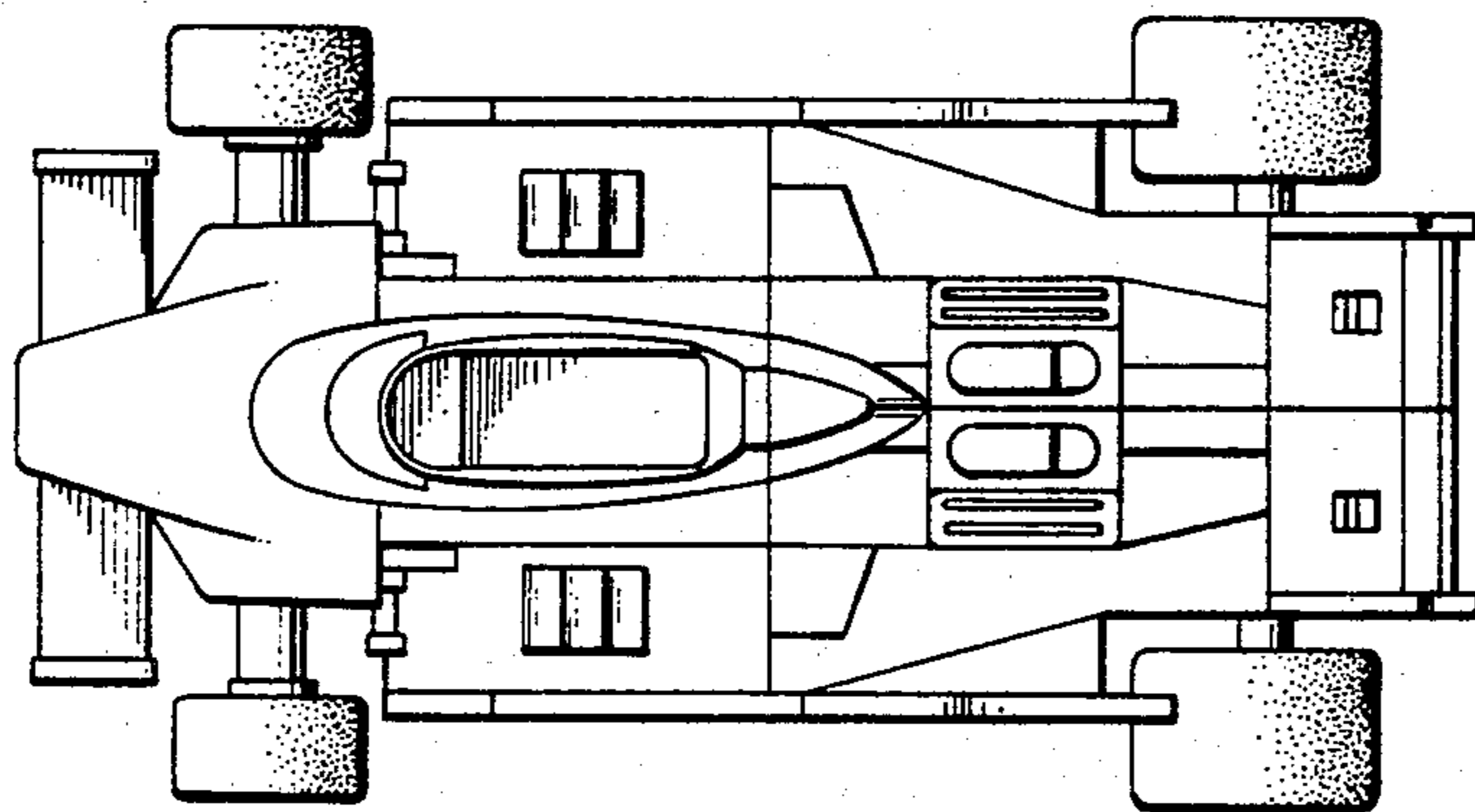


FIG. 3

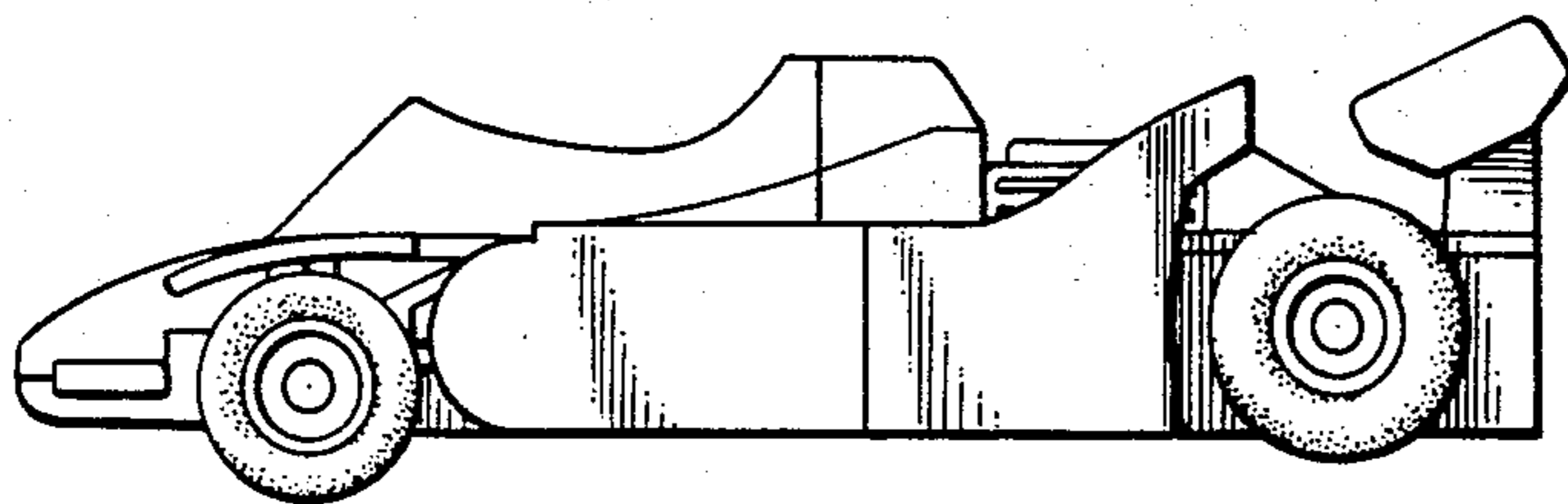


FIG. 4

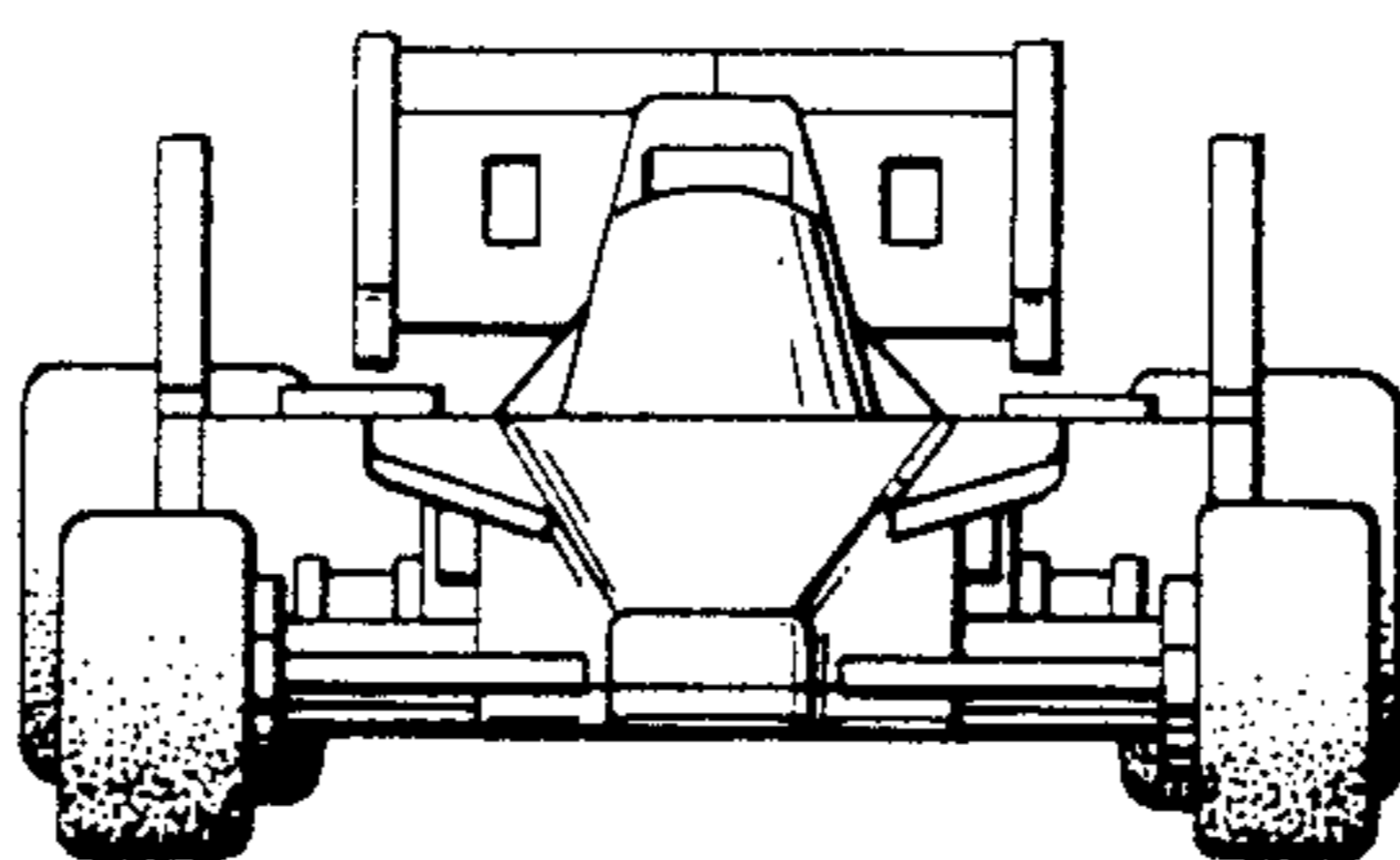


FIG. 6

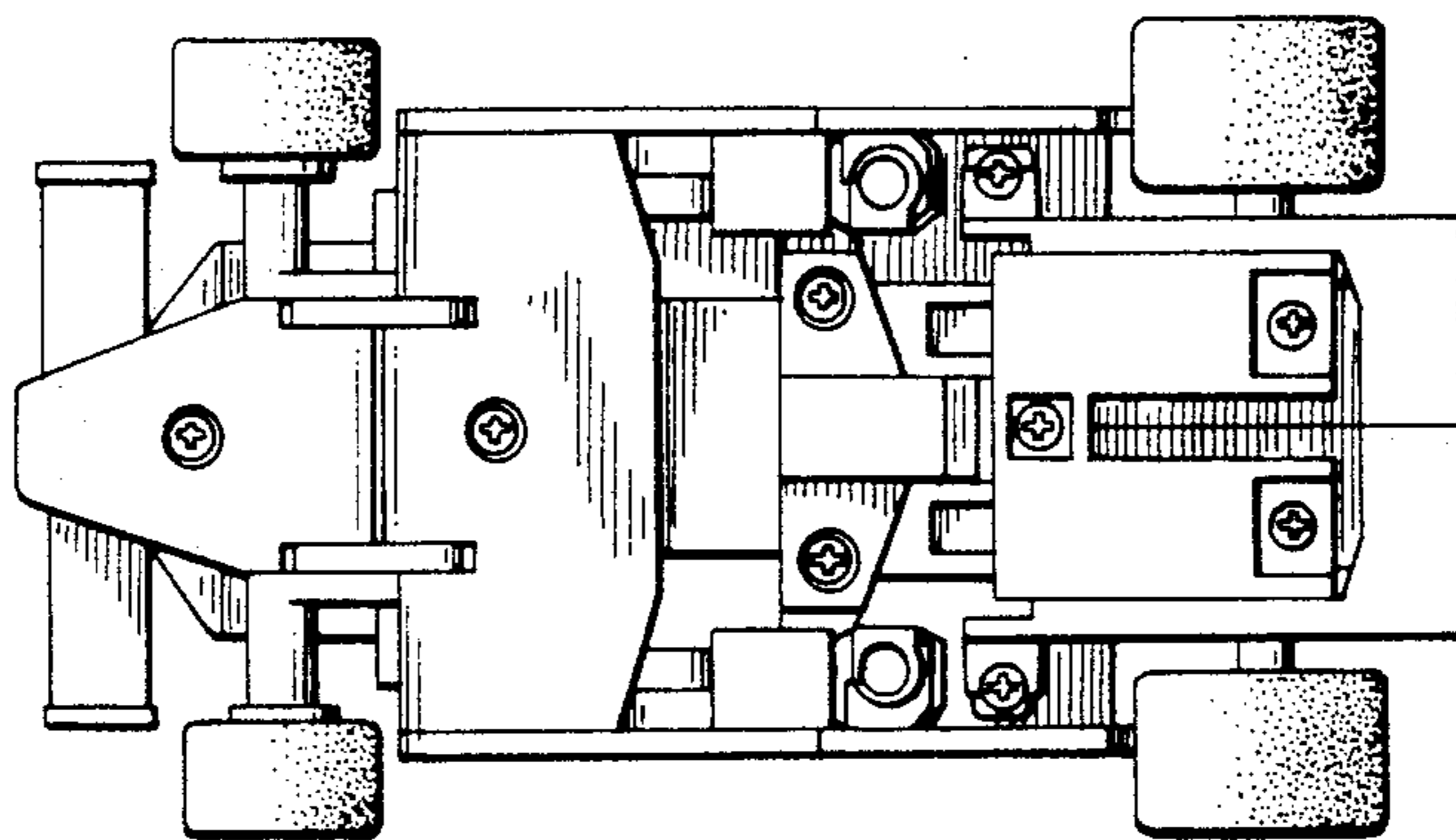


FIG. 5

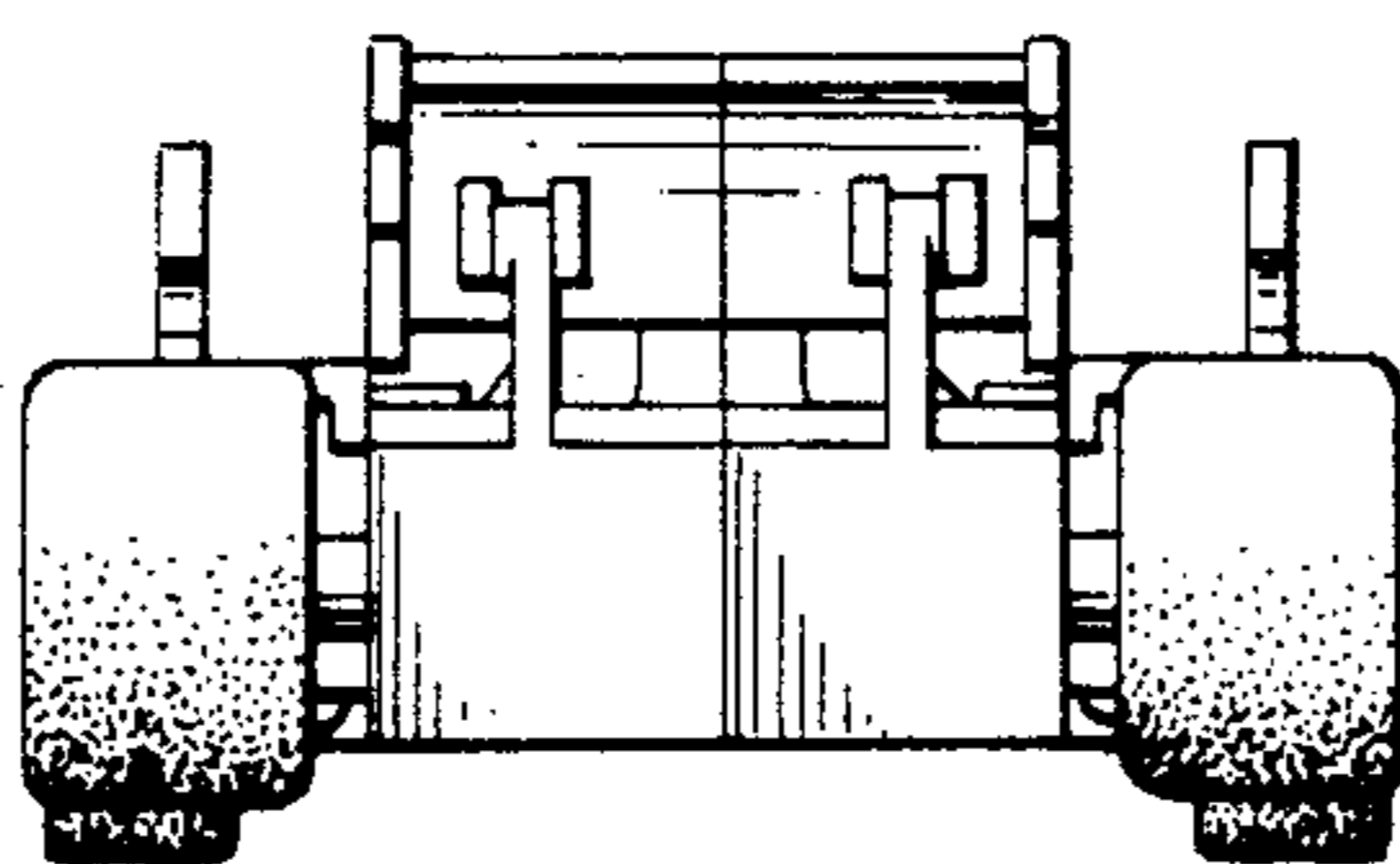


FIG. 7

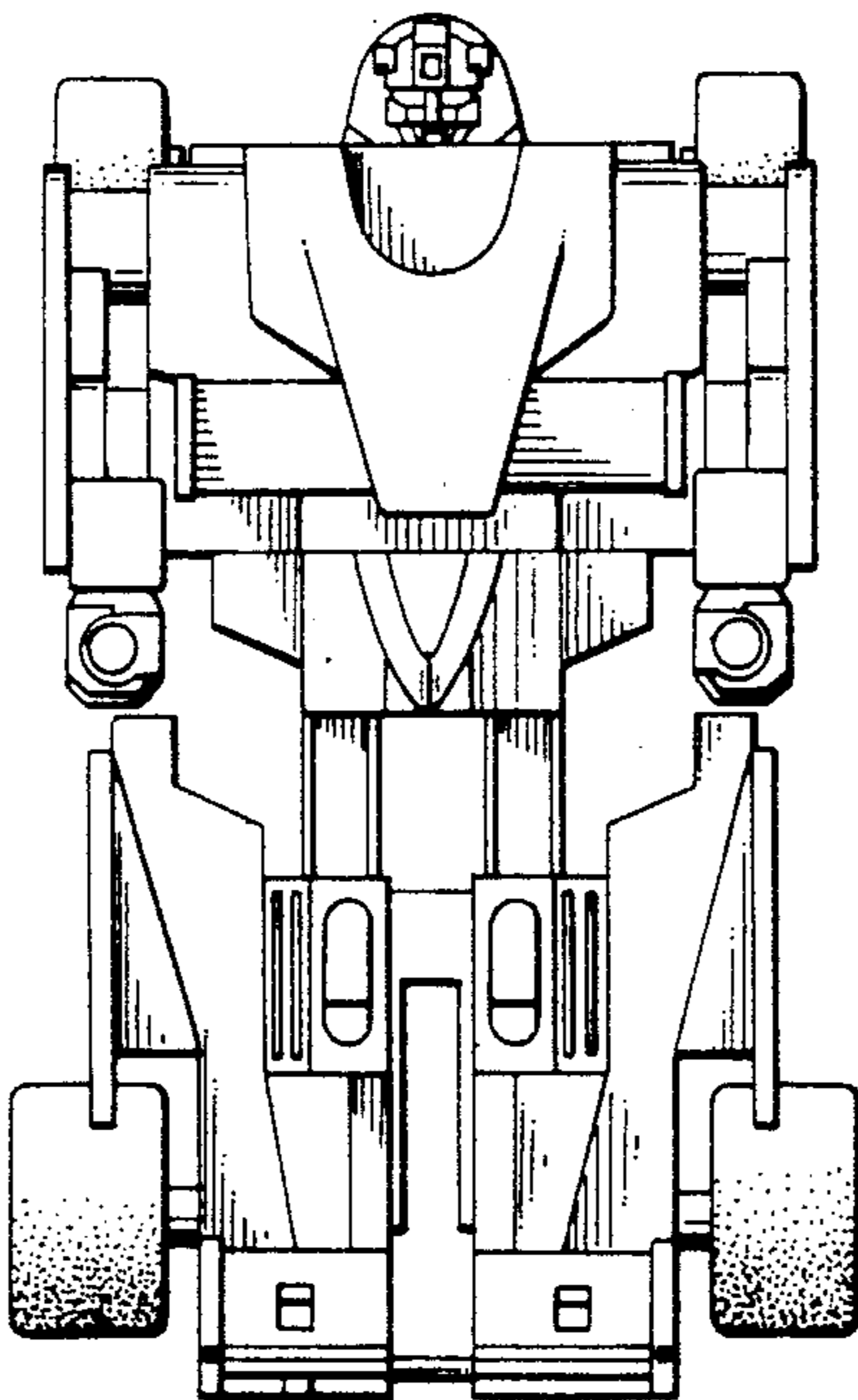


FIG. 8

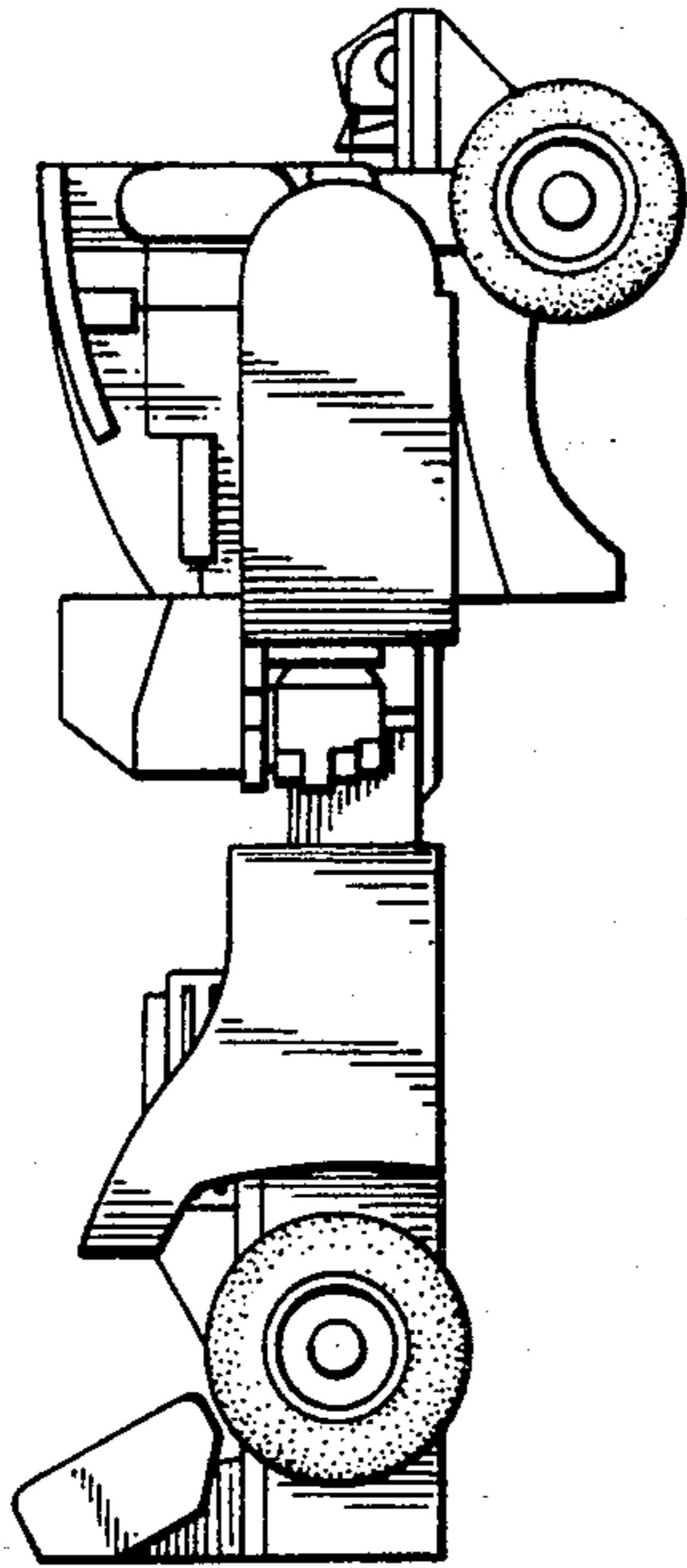


FIG. 9

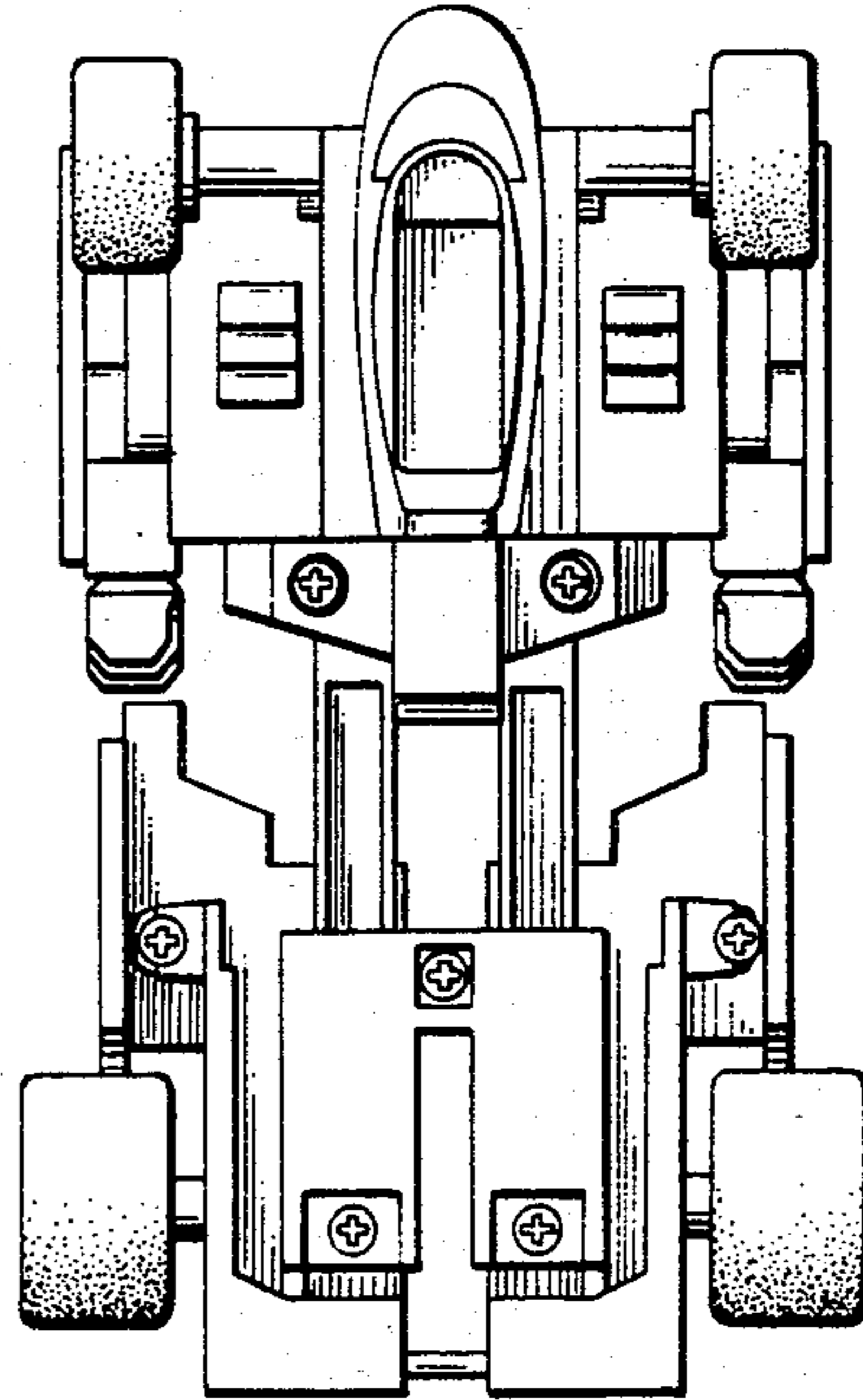


FIG. 10

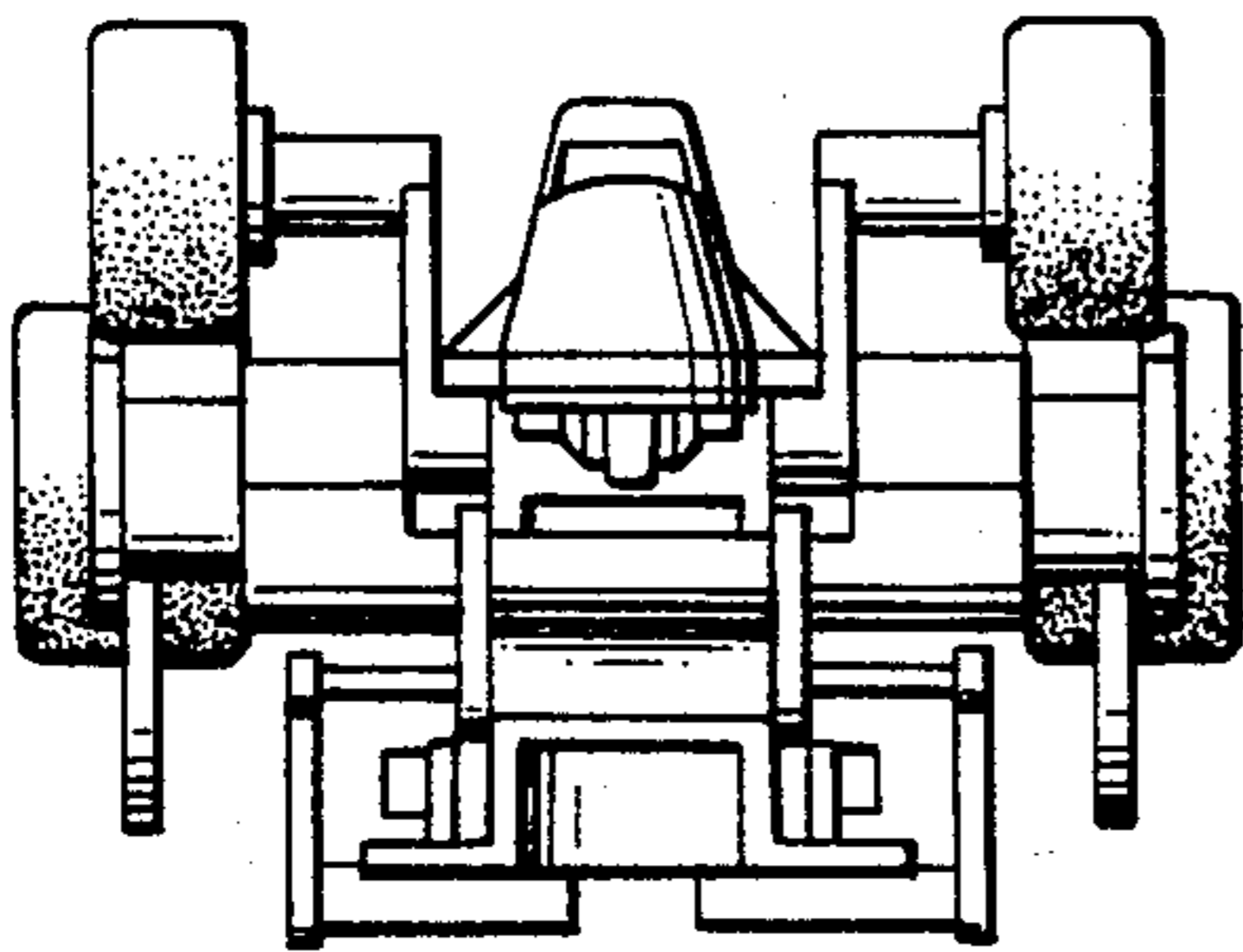


FIG. 11

