

[54] RECONFIGURABLE TOY CASSETTE

[75] Inventor: Satoshi Koizumi, Tokyo, Japan

[73] Assignee: Takara Co., Ltd., Tokyo, Japan

[\*\*] Term: 14 Years

[21] Appl. No.: 596,632

[22] Filed: Apr. 4, 1984

[52] U.S. Cl. .... D21/111; D21/150; D21/166

[58] Field of Search ..... D21/109, 111, 166, 177, D21/150; 446/71, 72, 73, 76, 77; D14/11

[56] References Cited

U.S. PATENT DOCUMENTS

- D. 279,916 7/1985 Obara ..... D21/136
- D. 281,087 10/1985 Ohno ..... D21/136
- 4,411,097 10/1983 Murakami ..... 446/73

FOREIGN PATENT DOCUMENTS

- 55-1662 1/1980 Japan ..... 446/487

OTHER PUBLICATIONS

Stereo Review, 5-1980, p. 7, "Memorex" Tape Cassette.

Primary Examiner—Charles A. Rademaker  
Attorney, Agent, or Firm—Price, Gess & Ubell

[57] CLAIM

The ornamental design for a reconfigurable toy cassette, substantially as shown and described.

DESCRIPTION

FIG. 1 is a front elevational view of a reconfigurable toy cassette showing my new design;  
 FIG. 2 is a left side elevational view thereof;  
 FIG. 3 is a rear elevational view thereof;  
 FIG. 4 is a right side elevational view thereof;  
 FIG. 5 is a top plan view thereof;  
 FIG. 6 is a bottom plan view thereof;  
 FIG. 7 is a top plan view of the design shown in FIGS. 1 through 6 reconfigured in a humanoid condition;  
 FIG. 8 is a bottom plan view thereof;  
 FIG. 9 is a top plan view thereof;  
 FIG. 10 is a left side elevational view thereof;  
 FIG. 11 is a rear elevational view thereof; and  
 FIG. 12 is a right side elevational view thereof.

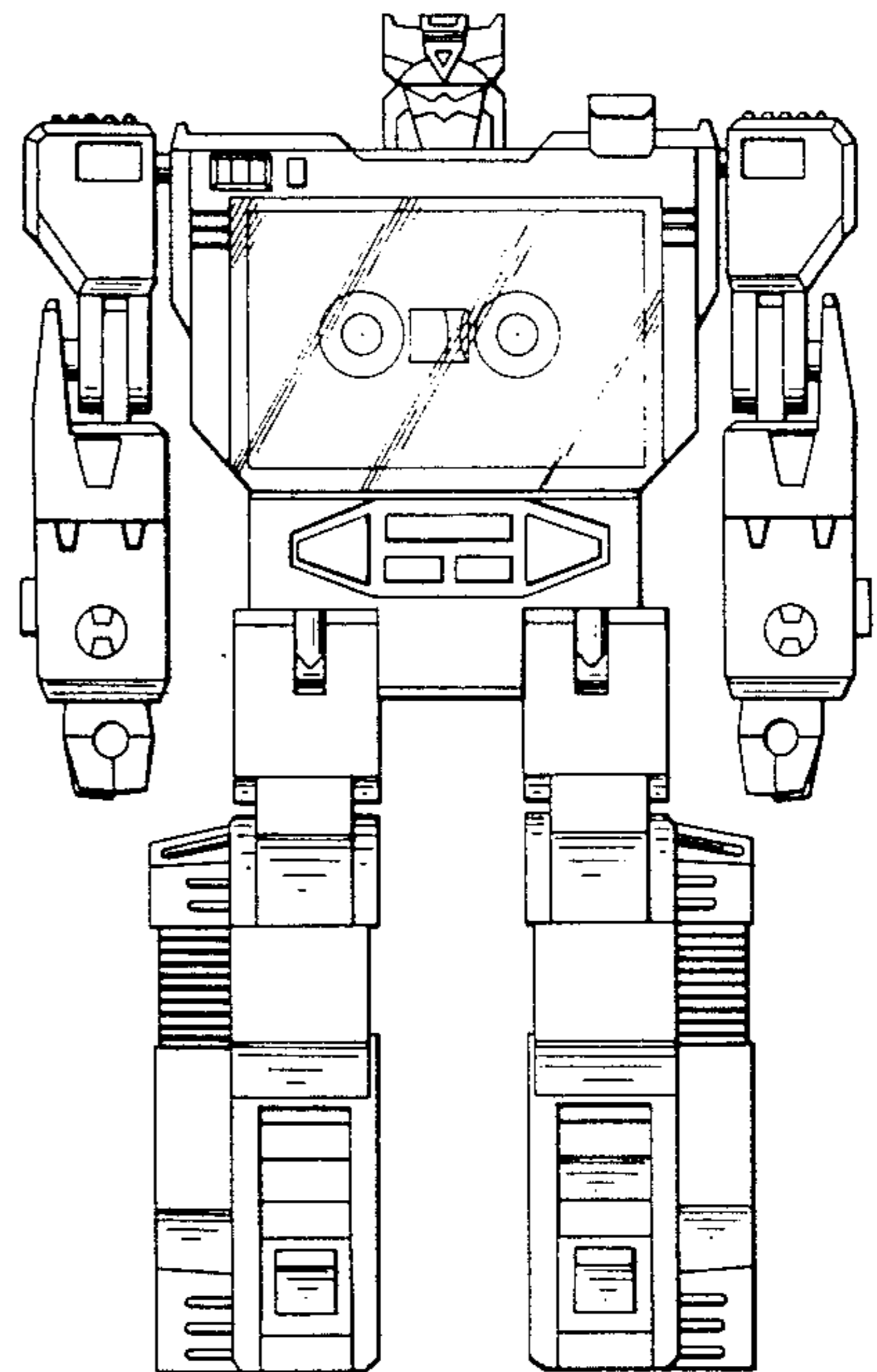
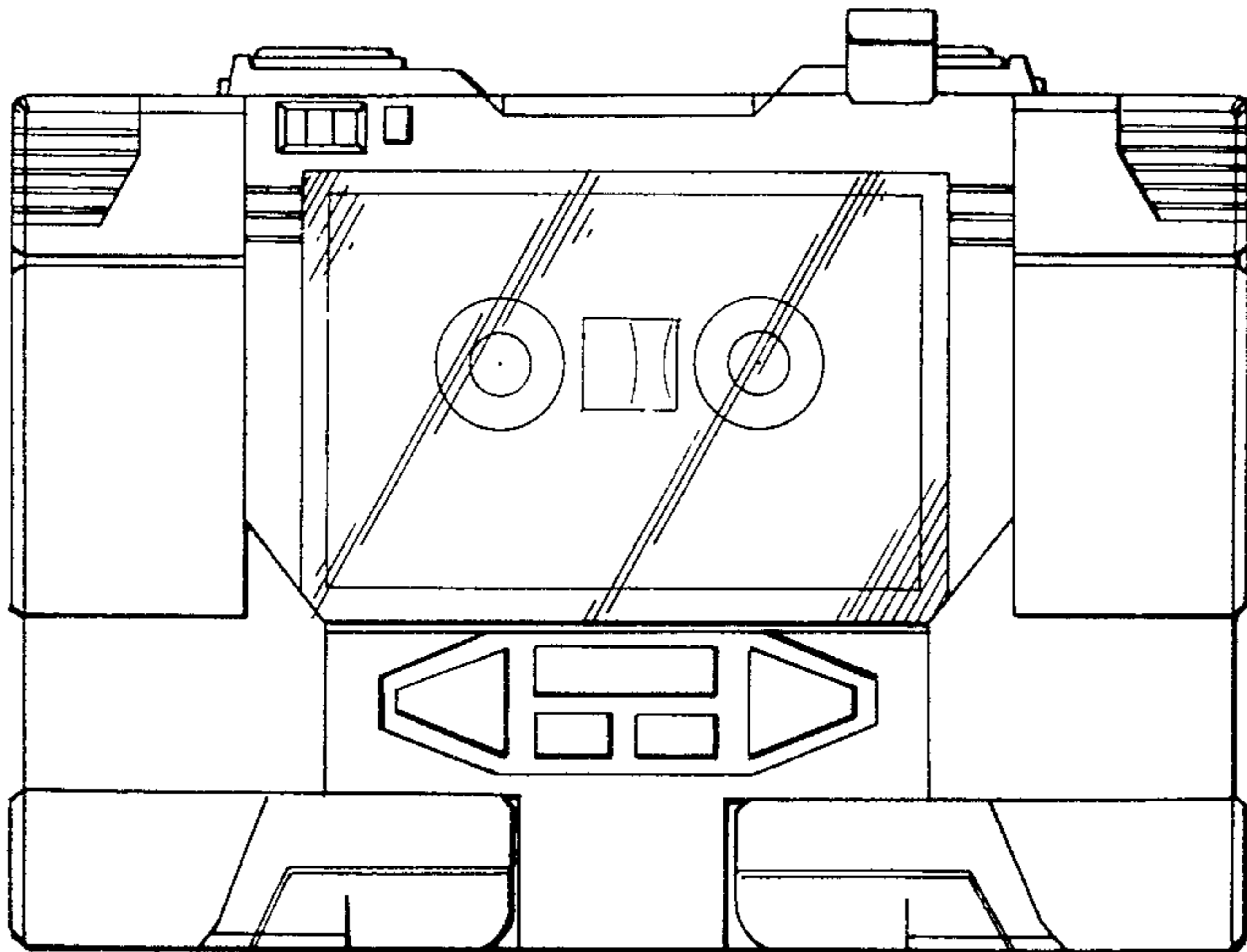


FIG. 1

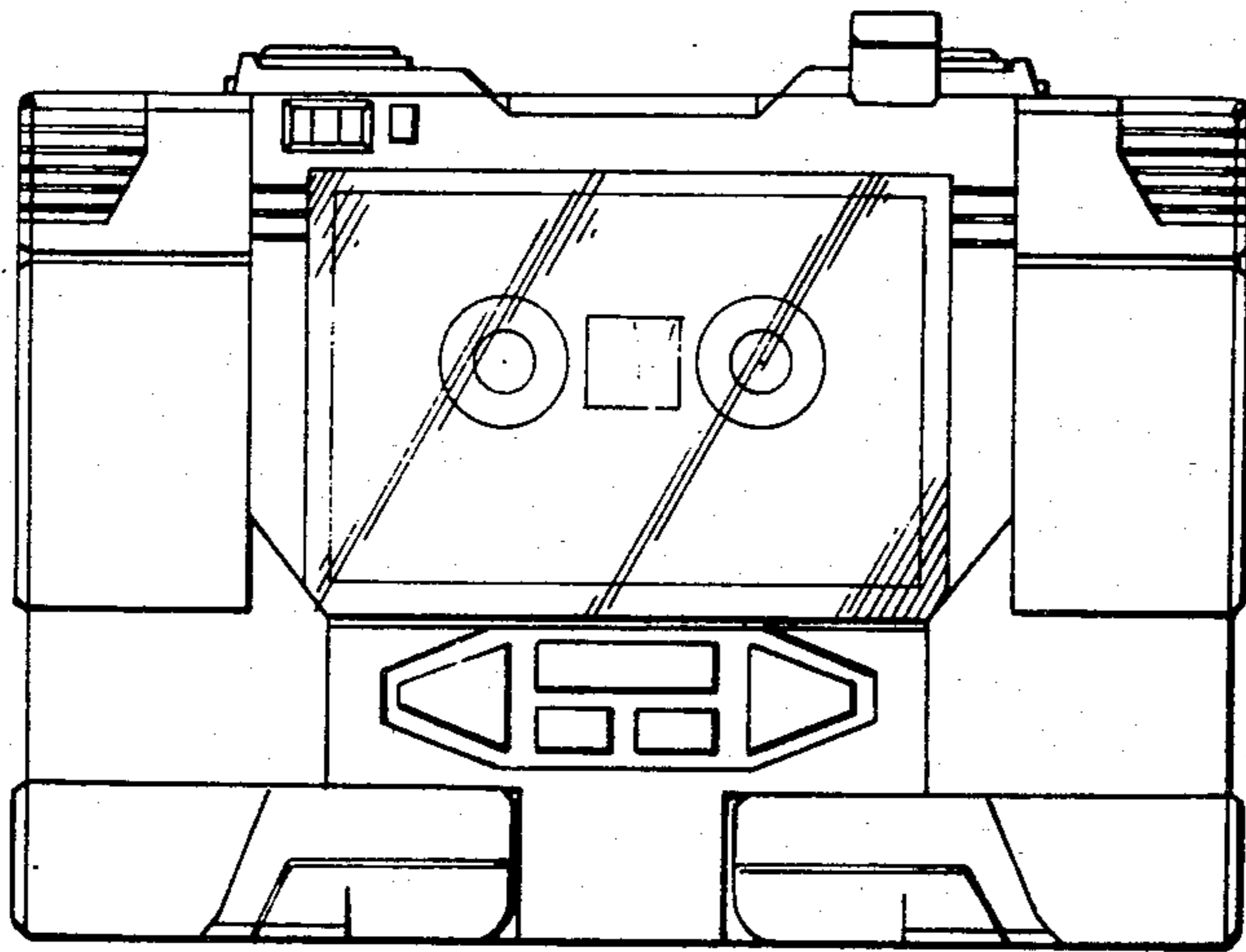


FIG. 2

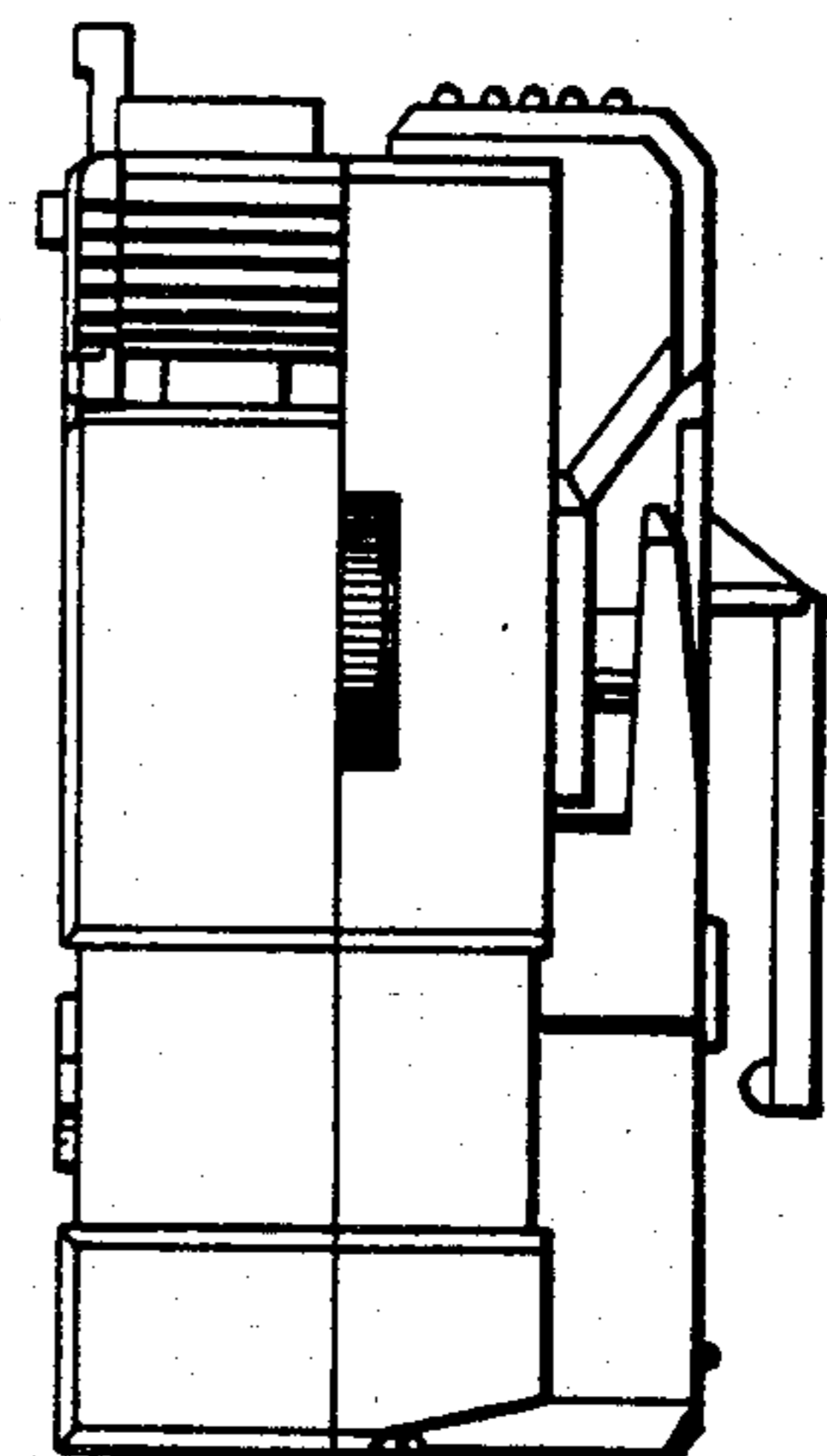


FIG. 3

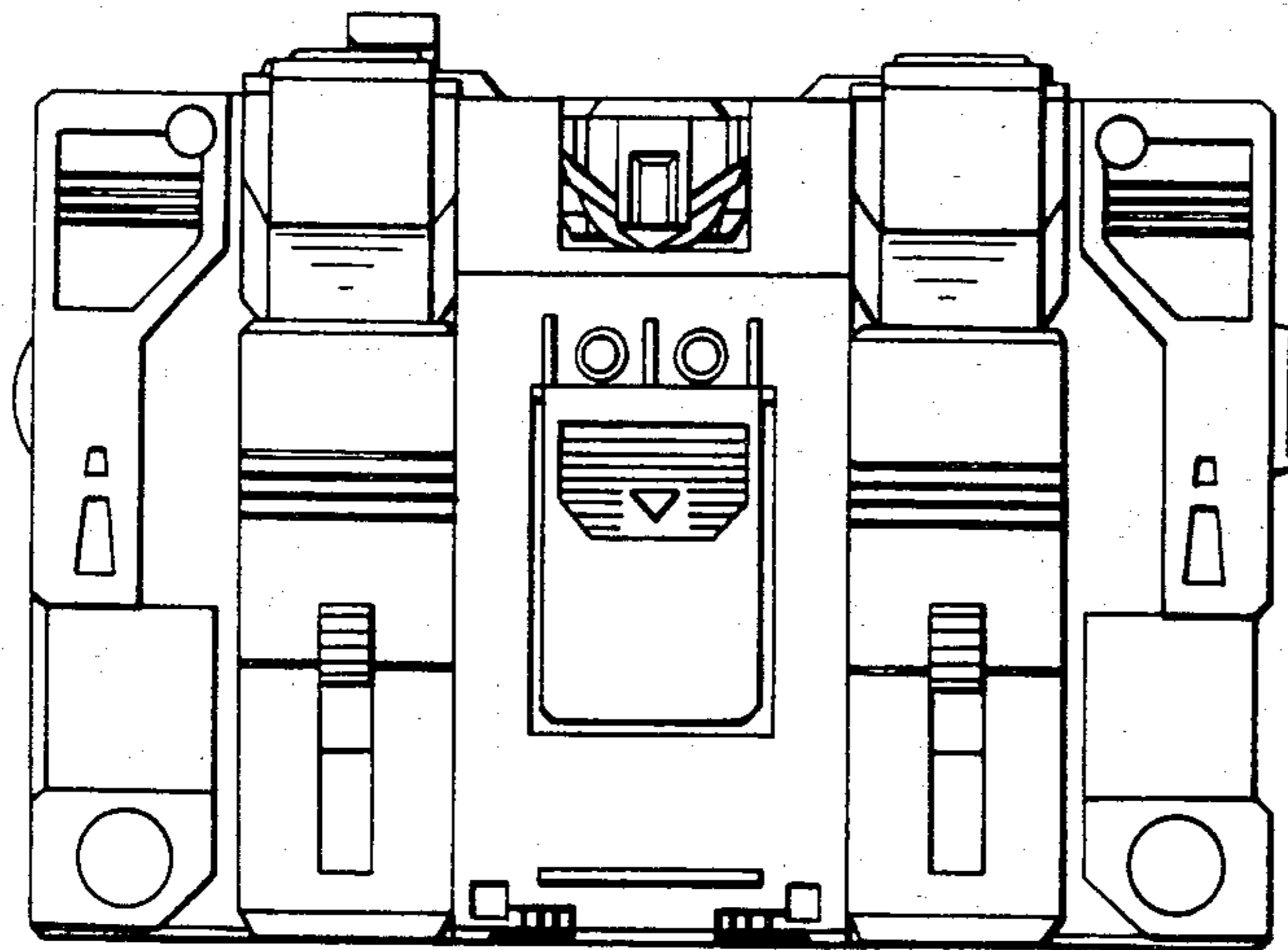


FIG. 4

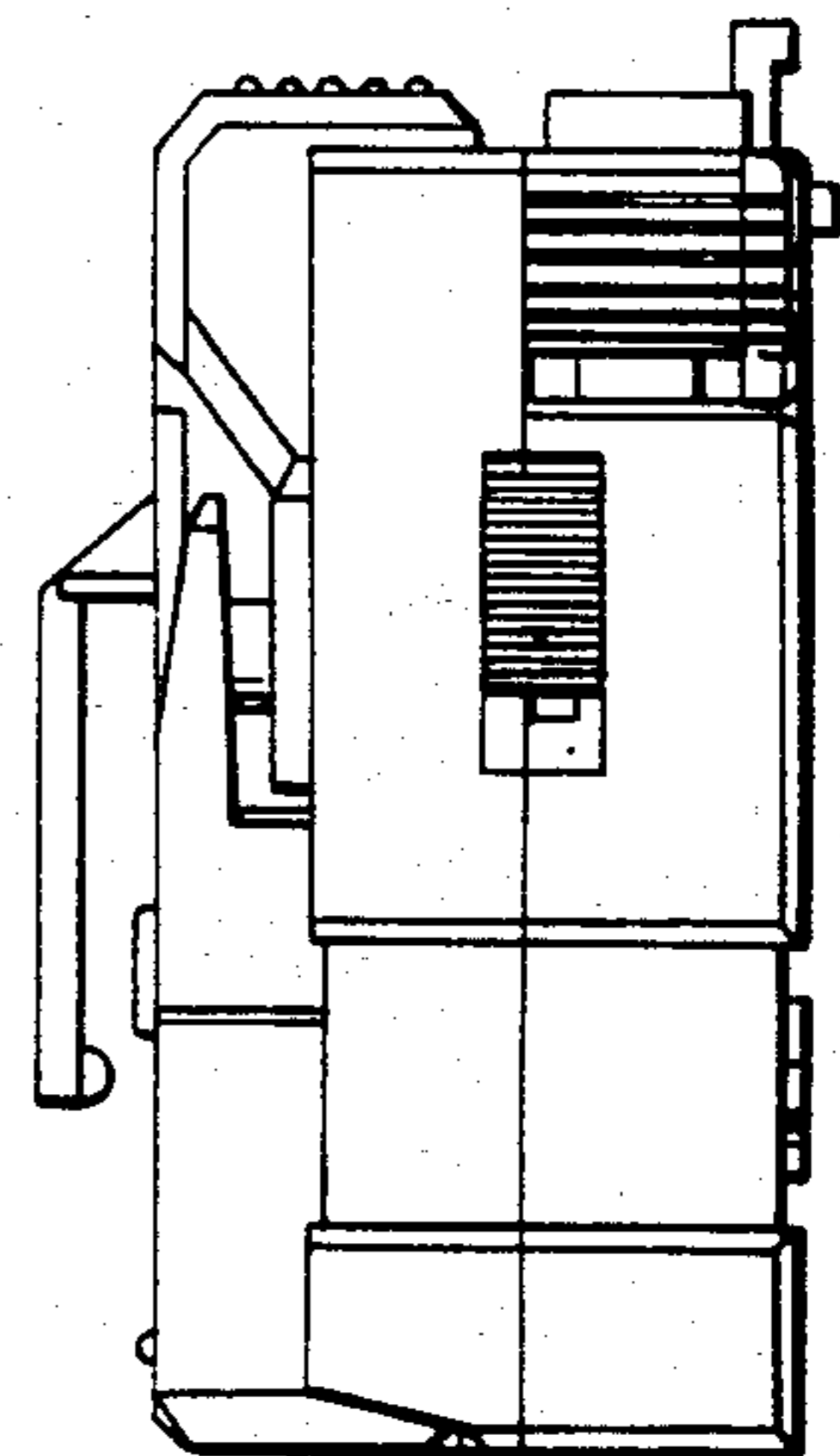


FIG. 5

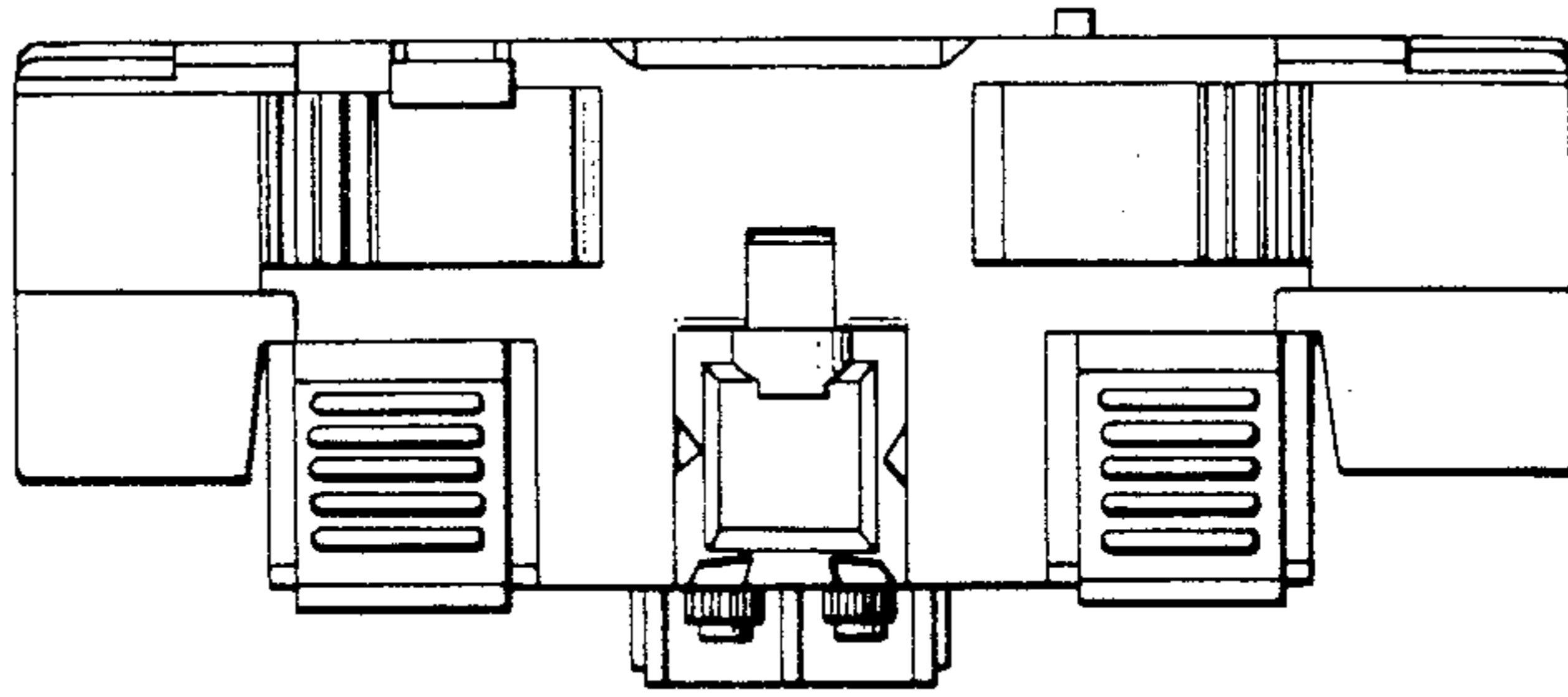


FIG. 6

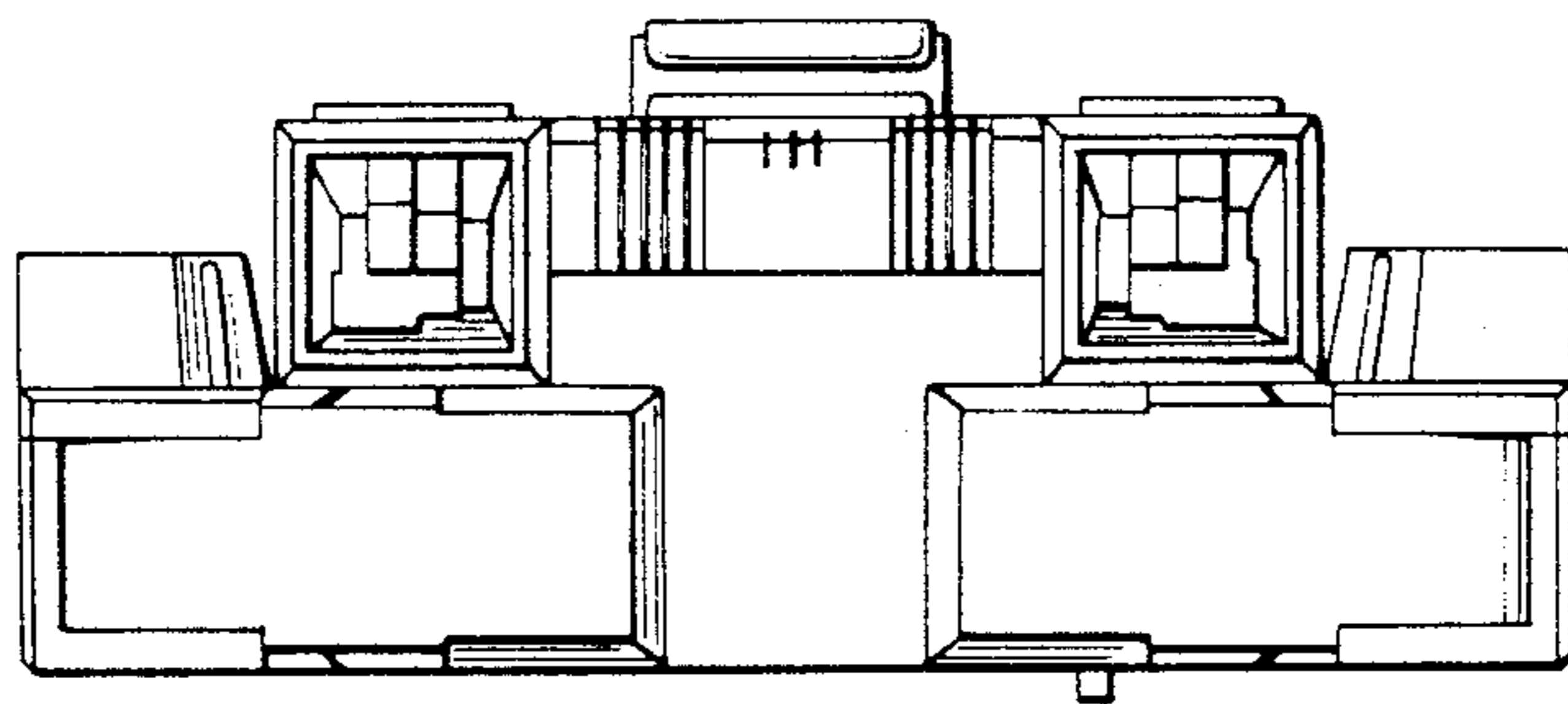


FIG. 7

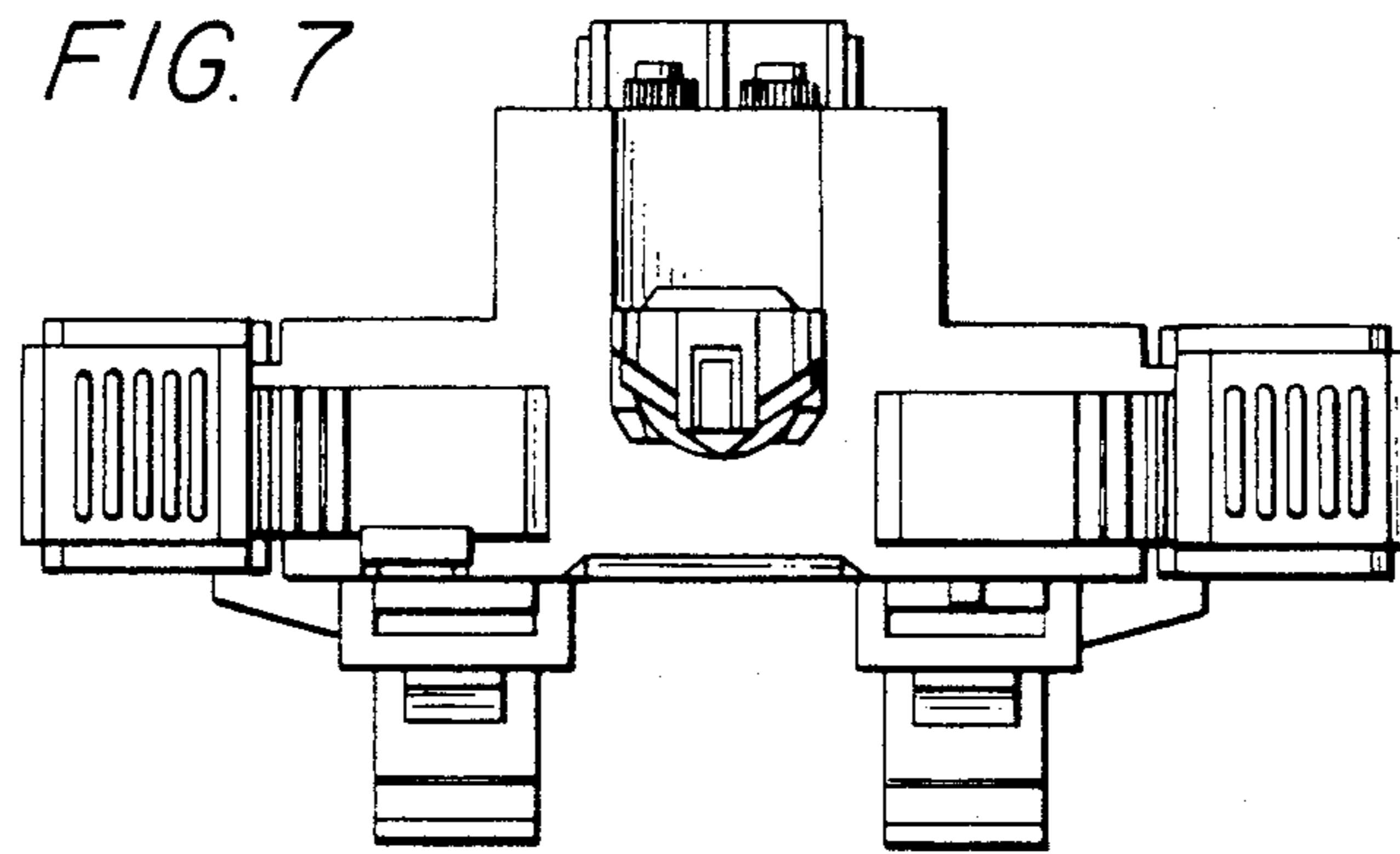


FIG. 8

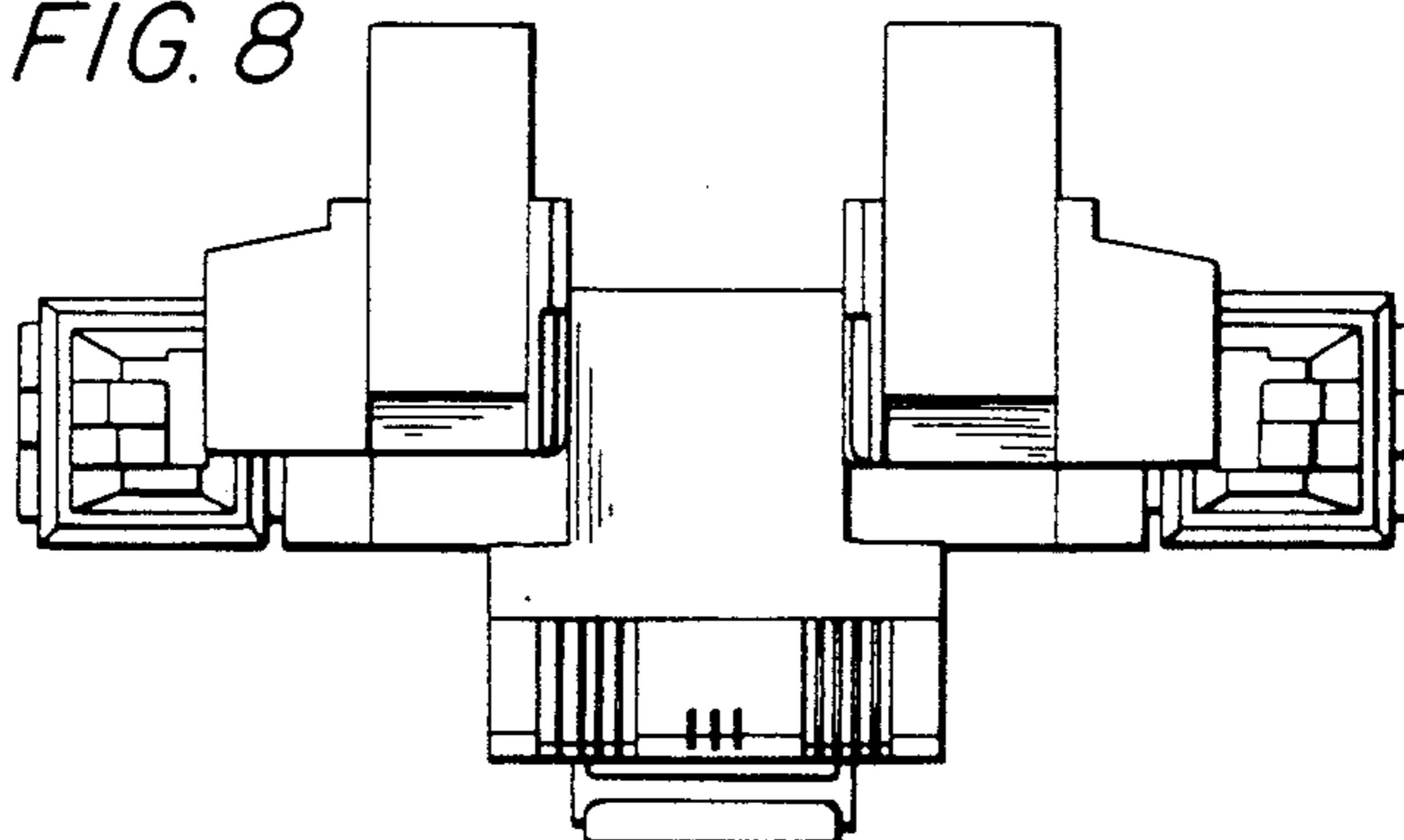


FIG. 9

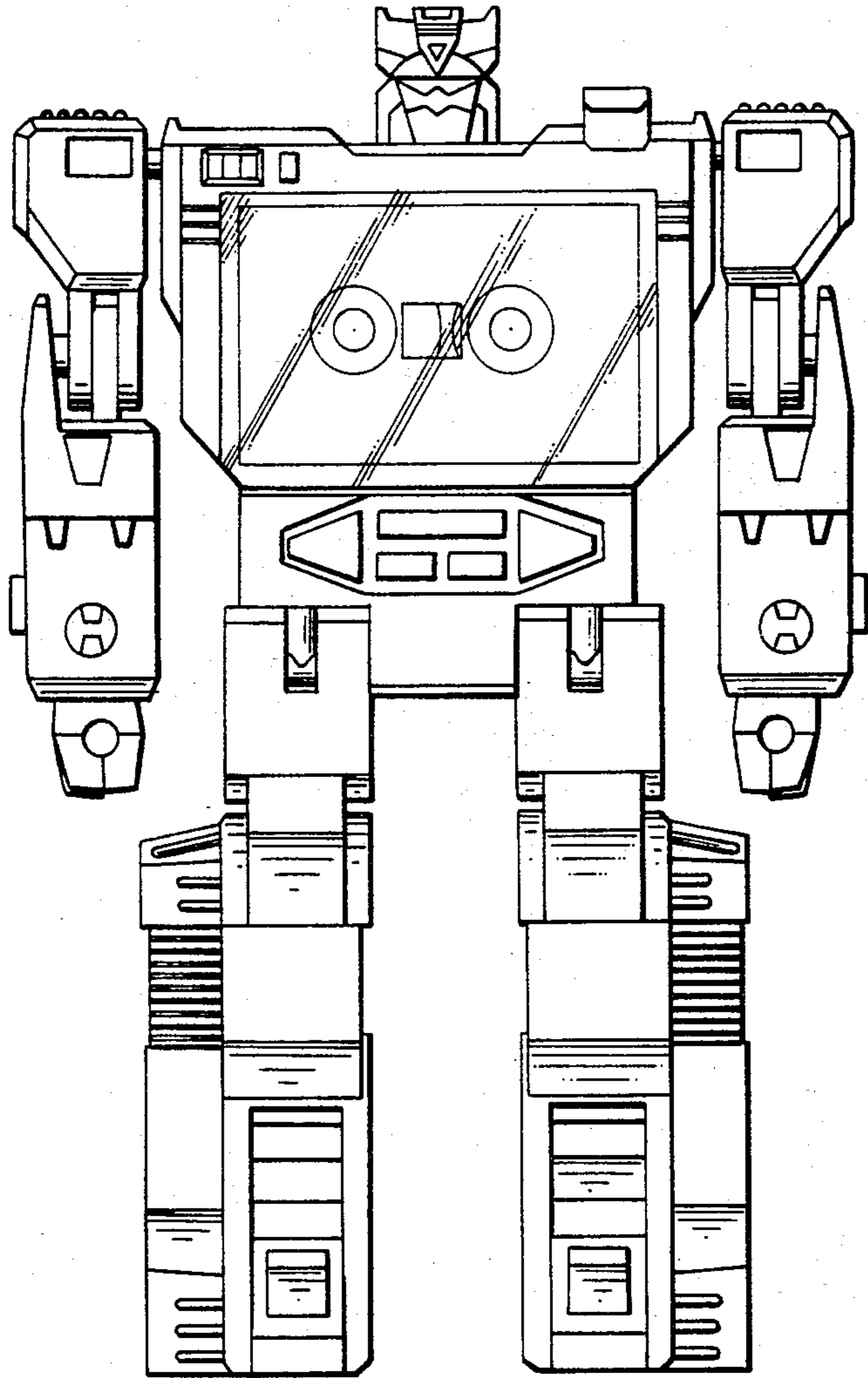


FIG. 10

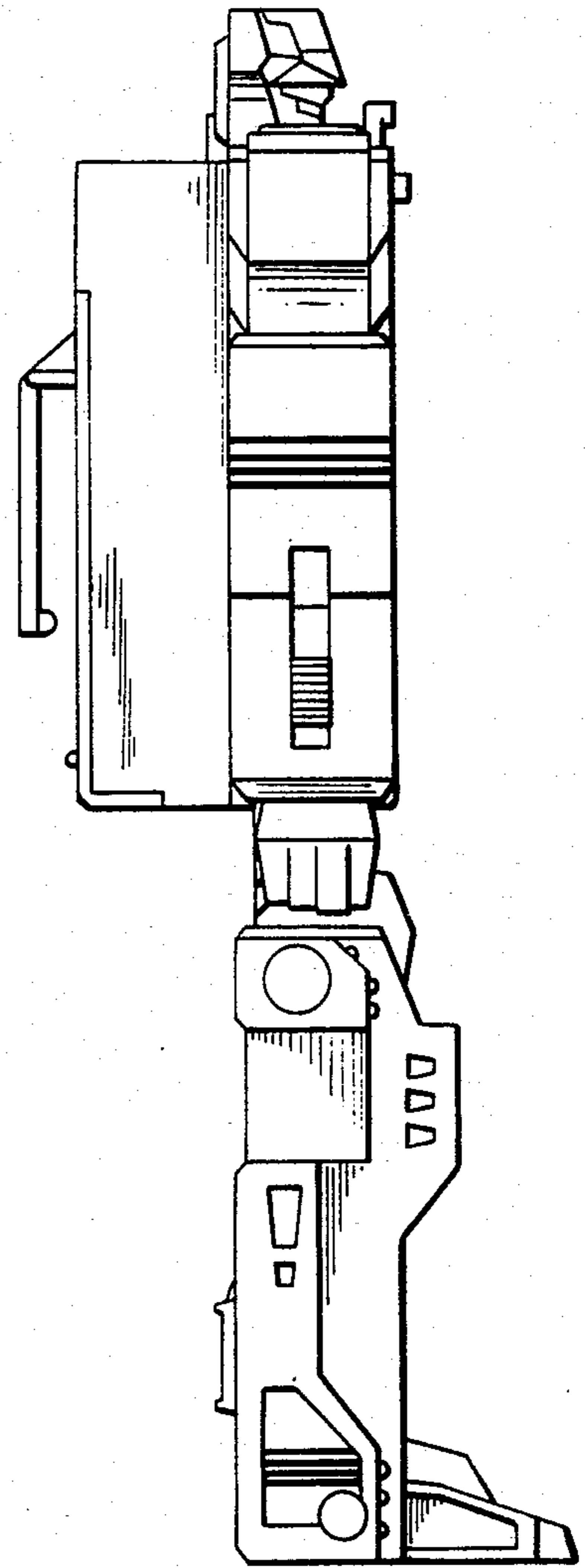


FIG. 11

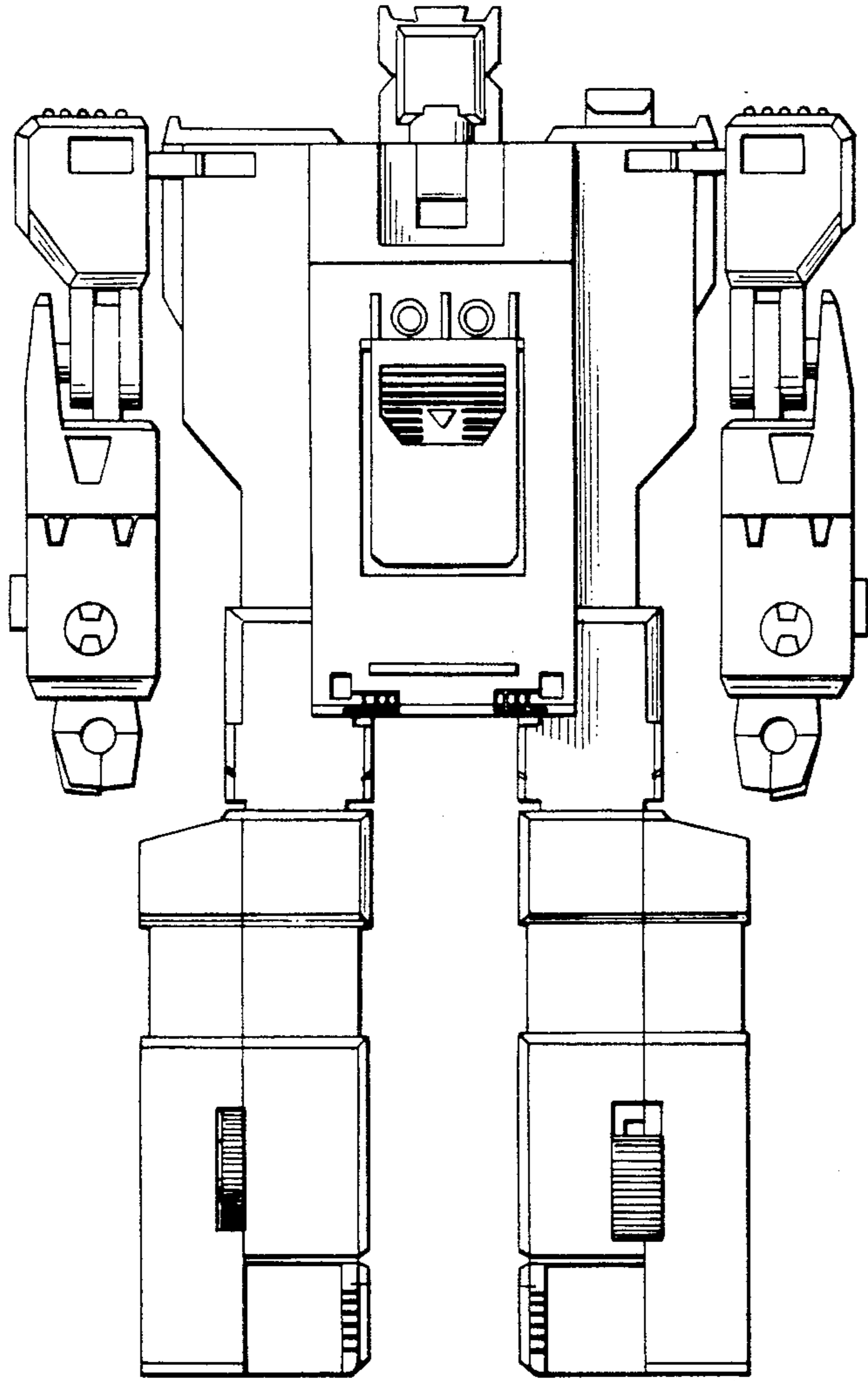


FIG. 12

