

[54] SPINNING TOP

[76] Inventor: Arnold C. Fiihr, 1537 W. Delano Dr., Tucson, Ariz. 85705

[**] Term: 14 Years

[21] Appl. No.: 738,699

[22] Filed: May 28, 1985

[52] U.S. Cl. D21/96

[58] Field of Search D21/95, 96, 98, 59; 446/256, 259, 261, 264, 262

[56] References Cited

U.S. PATENT DOCUMENTS

- 656,771 8/1900 Koscialowski 446/262
- 1,020,660 3/1912 Preyer 446/264

1,363,718 12/1920 Cayo 446/262

Primary Examiner—Charles A. Rademaker
Attorney, Agent, or Firm—Cahill, Sutton & Thomas

[57] CLAIM

The ornamental design for spinning top, as shown and described.

DESCRIPTION

FIG. 1 is a top perspective view of a spinning top showing my new design;
 FIG. 2 is another perspective view thereof showing the top and bottom portions separated and the string omitted;
 FIG. 3 is a top plan view thereof;
 FIG. 4 is a bottom plan view thereof; and,
 FIG. 5 is a side elevational view thereof.

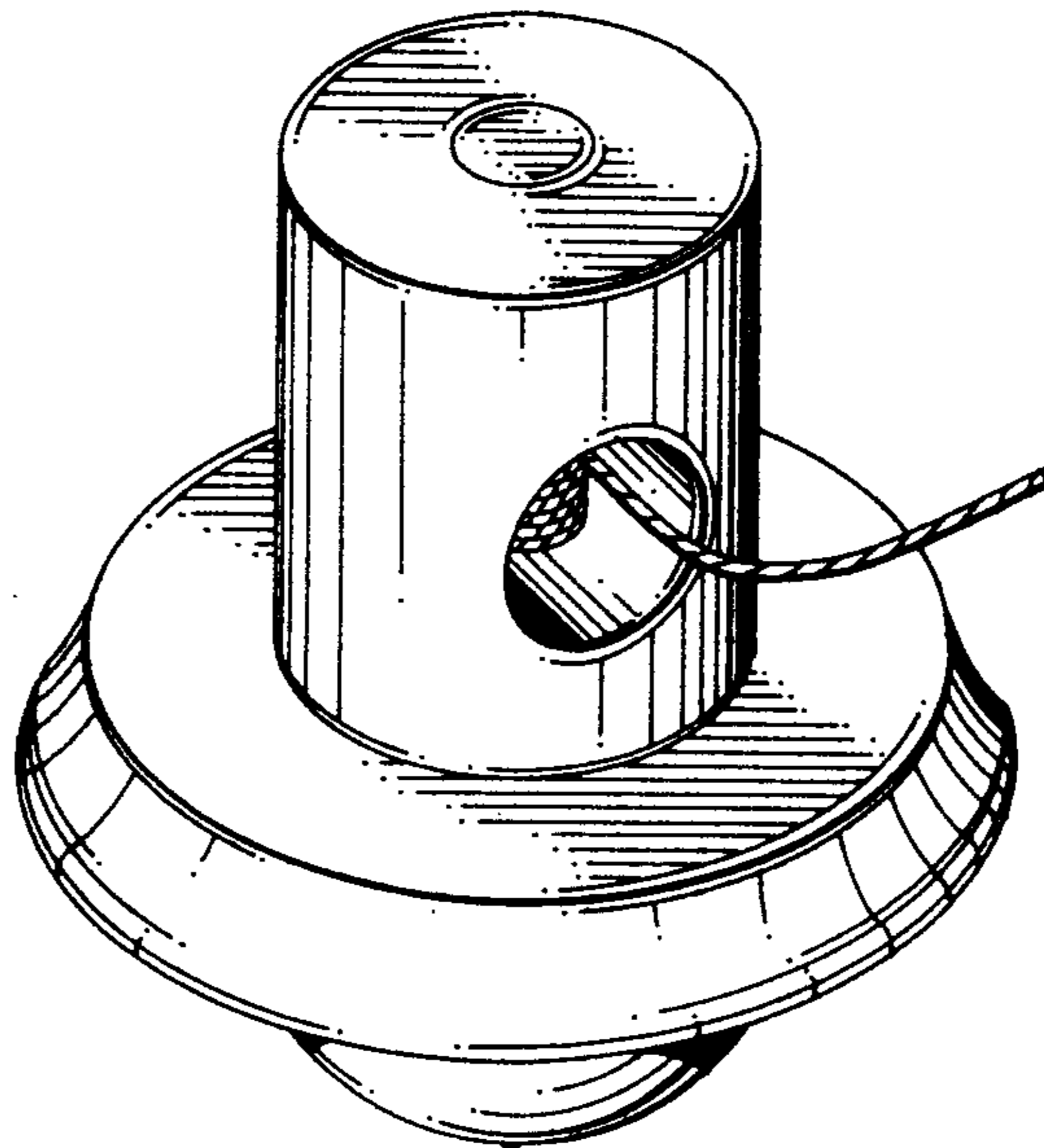


FIG. 1

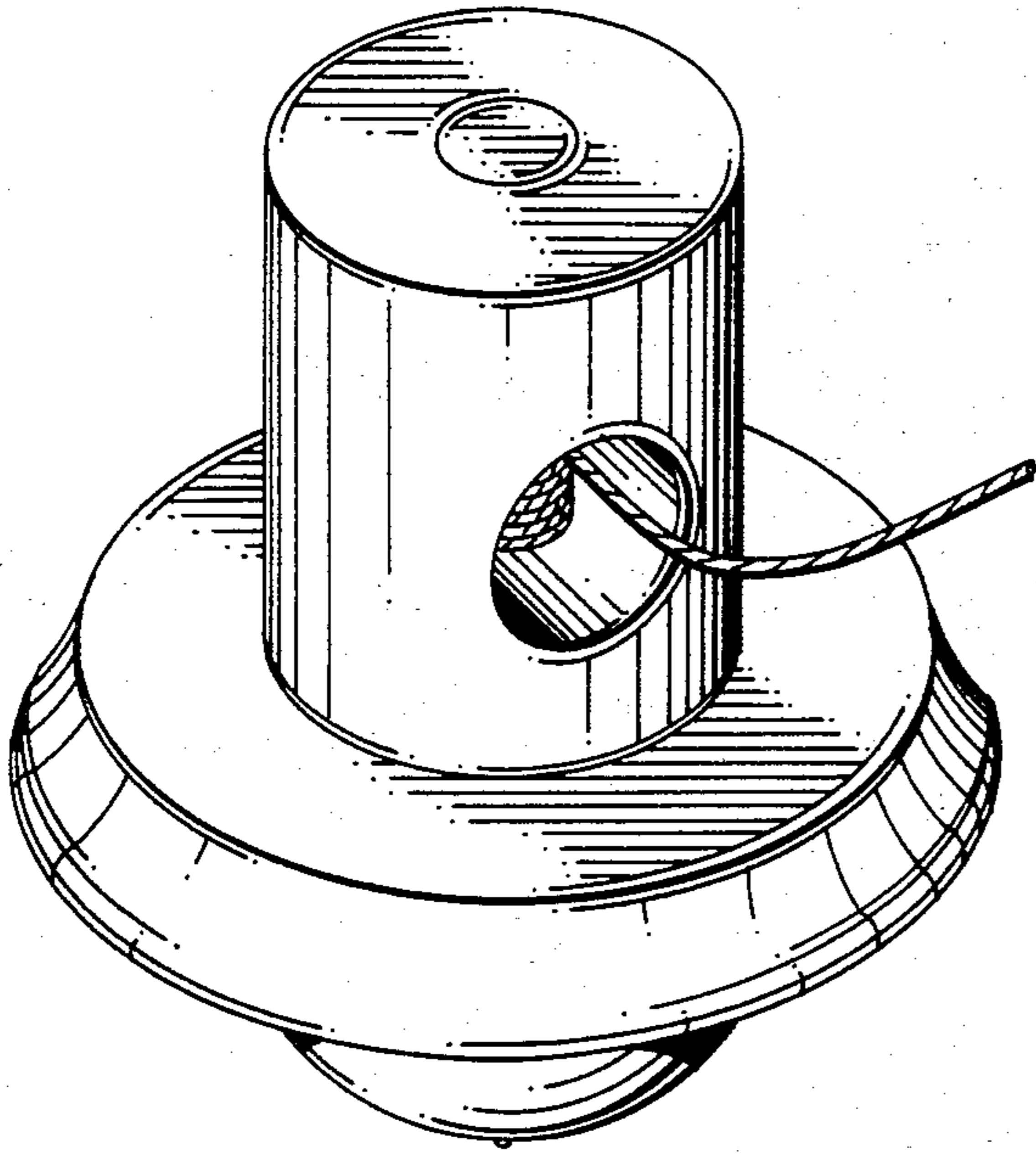


FIG. 3

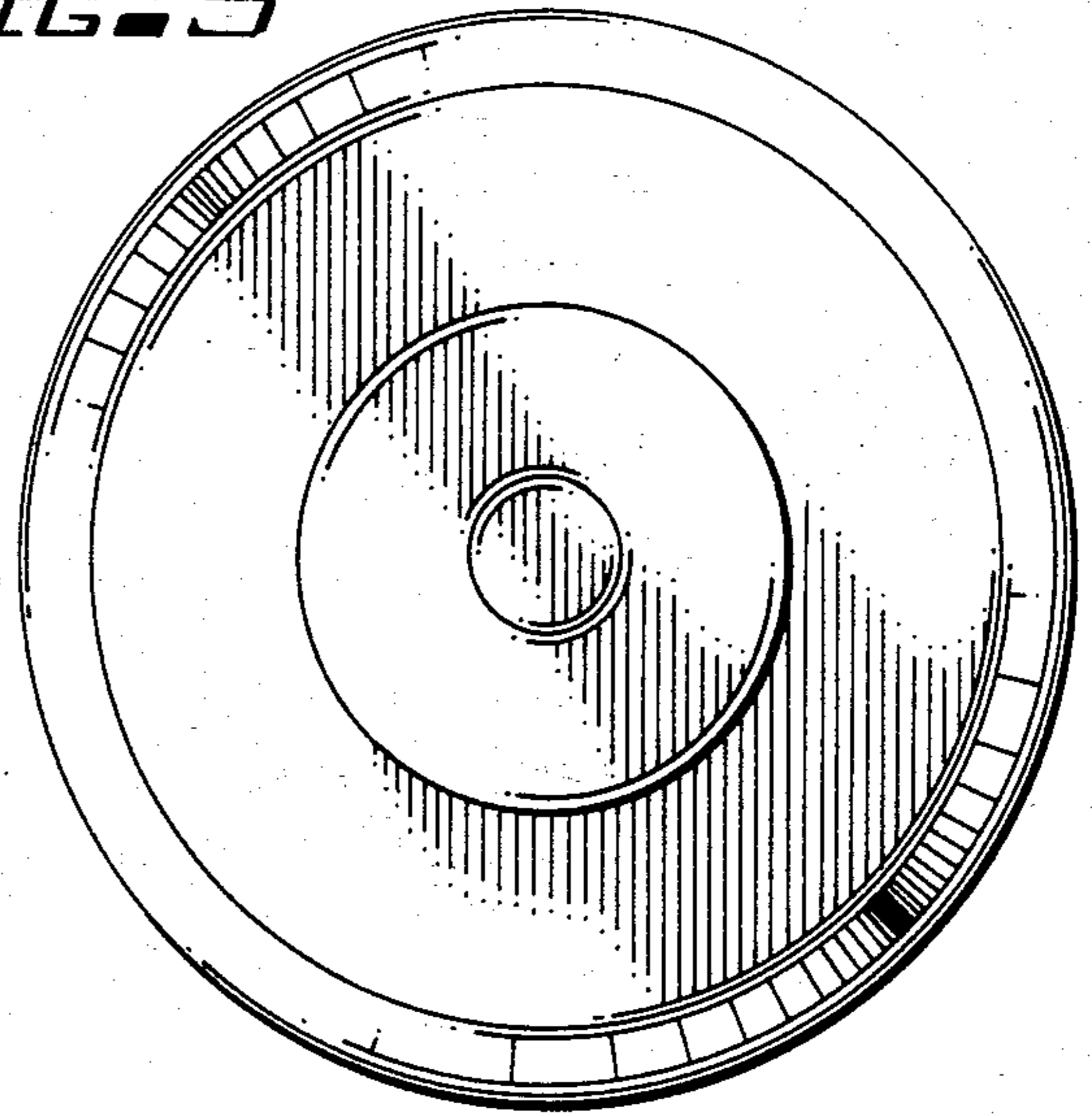


FIG. 4

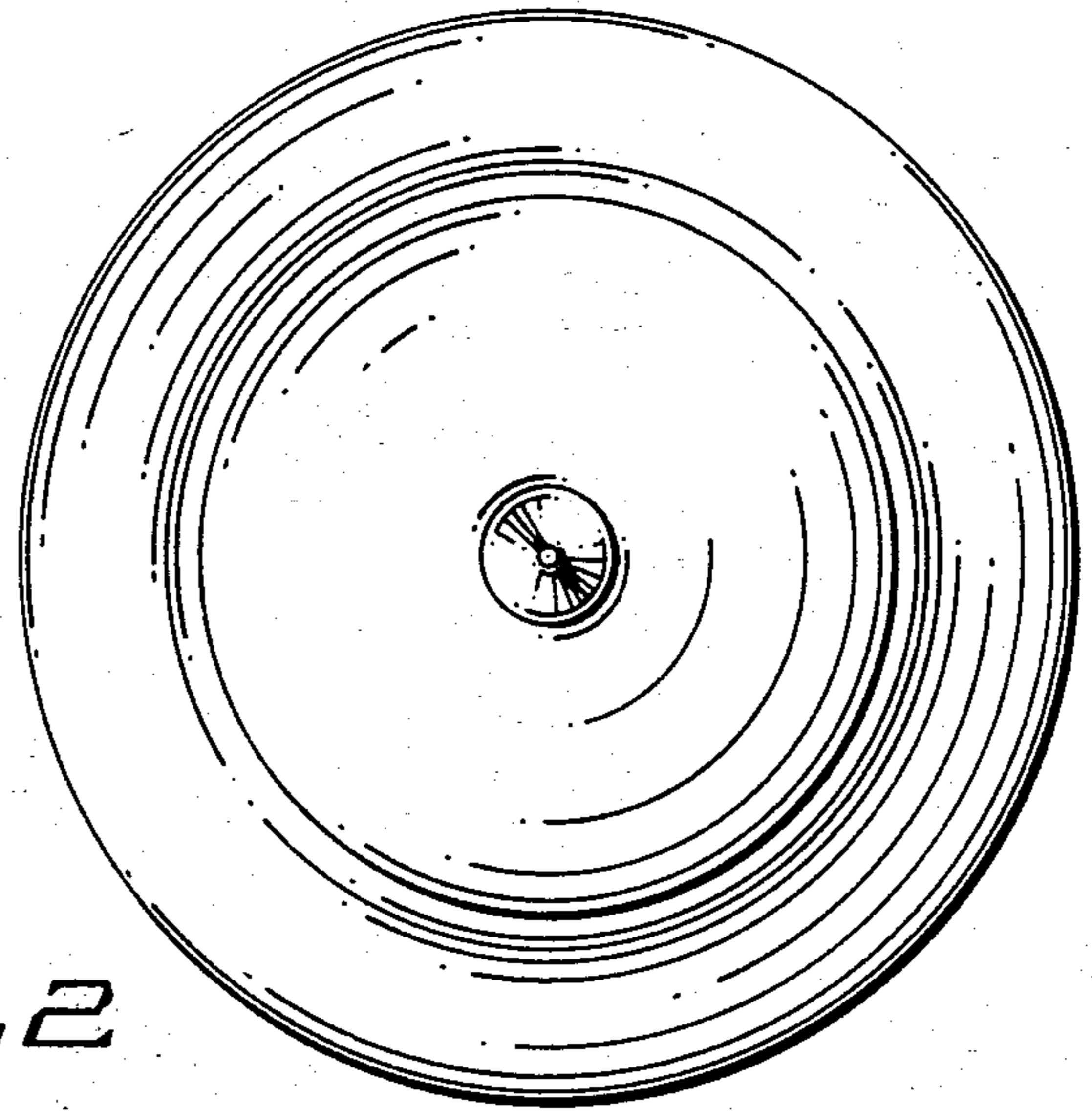


FIG. 2

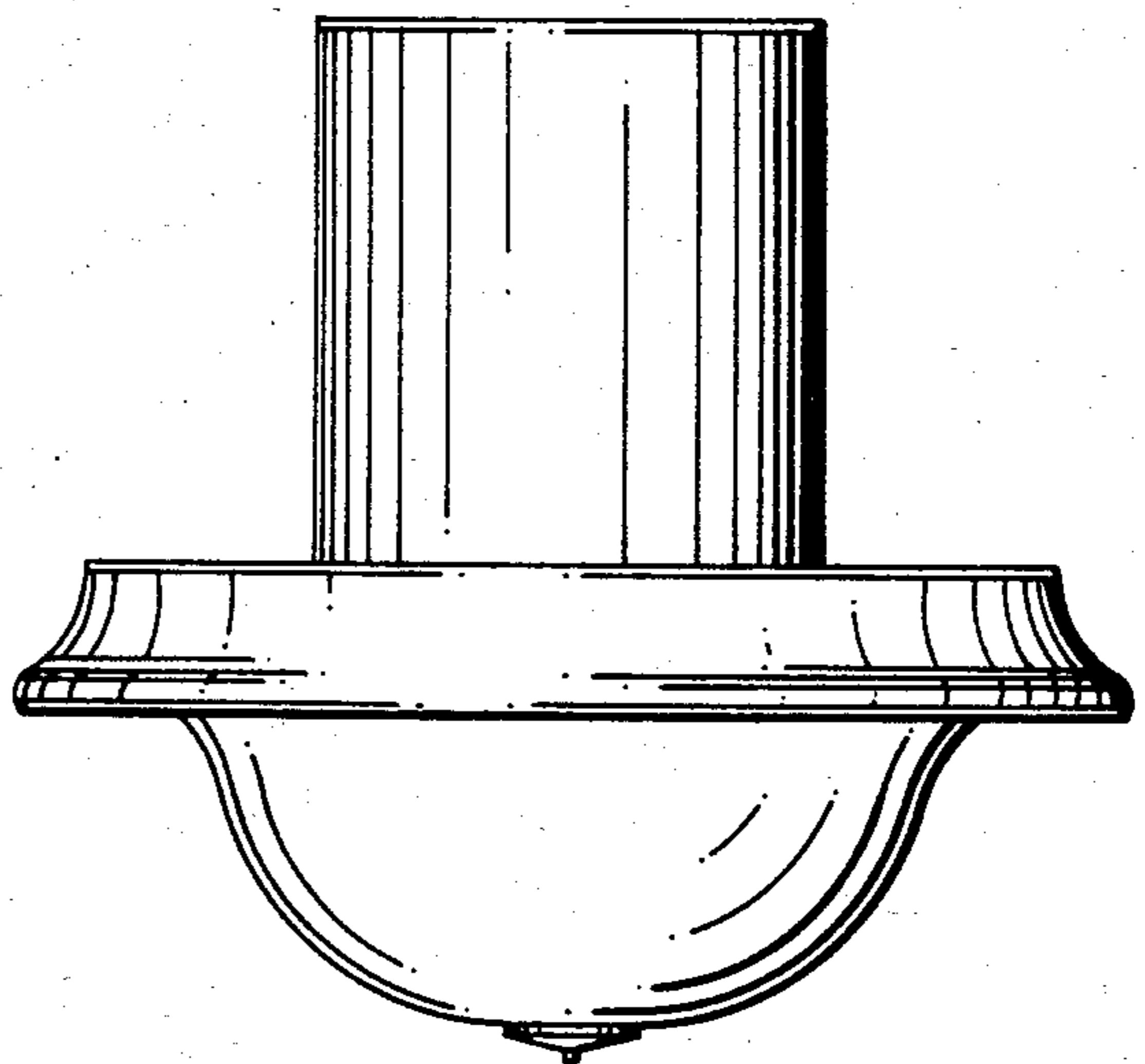
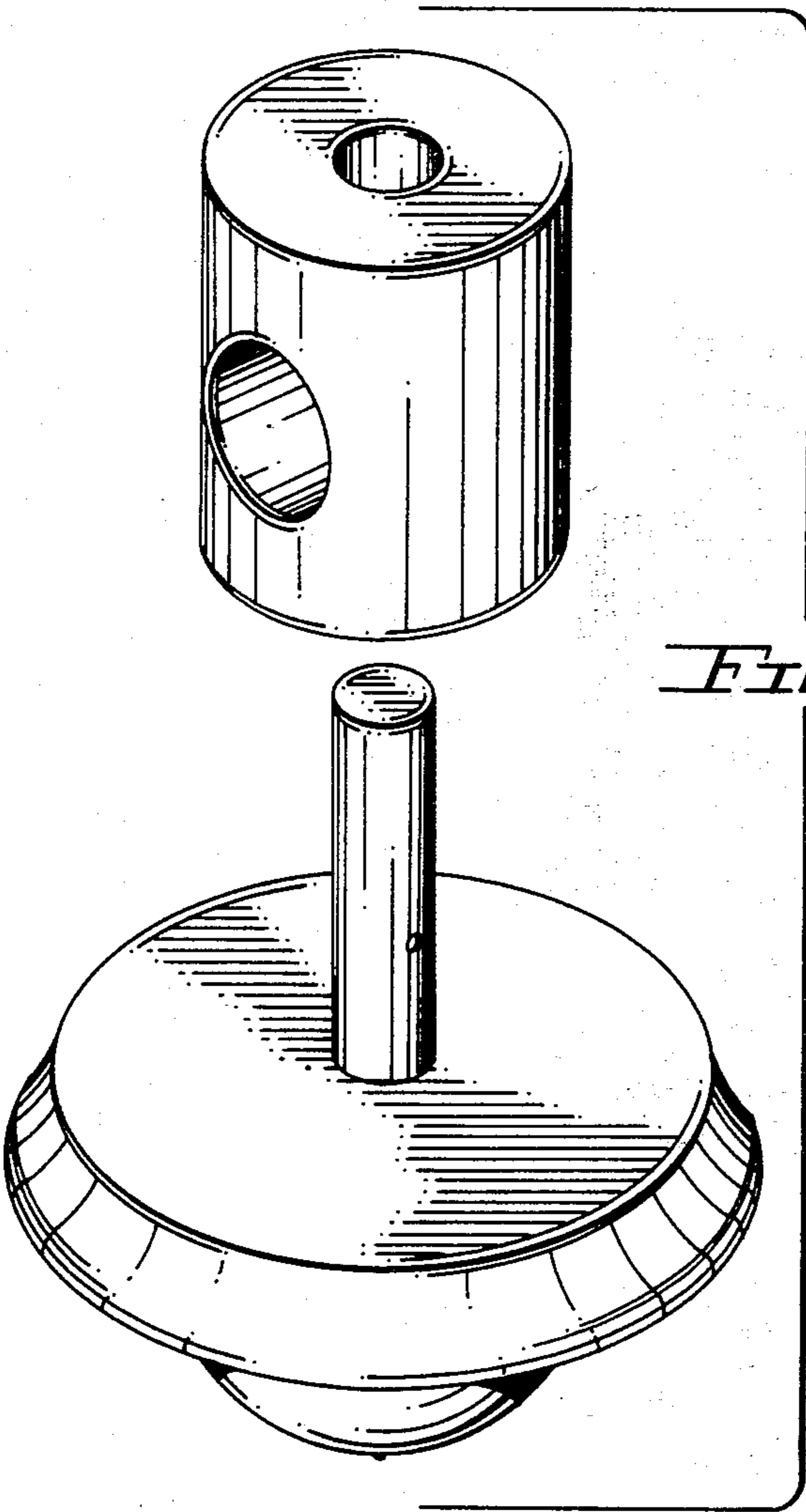


FIG. 5