

[54] SPINNING TOY RATTLE

[75] Inventors: Harry S. Thomson, Richmond; David M. Raffo; John A. Pape, both of Hitchin, all of England

[73] Assignee: Hestair Kiddicraft Limited, Surrey, England

[\*\*] Term: 14 Years

[21] Appl. No.: 686,293

[22] Filed: Dec. 26, 1984

[52] U.S. Cl. .... D21/65; D21/119

[58] Field of Search ..... D21/64, 65, 160, 59, D21/119, 93; 446/267, 227, 397, 418, 420, 421, 422

[56] References Cited

U.S. PATENT DOCUMENTS

D. 64,198 3/1924 Monkhouse ..... D21/119

D. 82,587 11/1930 Scheibe ..... D21/119  
D. 191,915 12/1961 Dunbar ..... D21/119  
D. 201,982 8/1965 Frederickson ..... D21/119  
D. 276,633 12/1984 Rattle ..... D21/65

Primary Examiner—Charles A. Rademaker  
Attorney, Agent, or Firm—McCormick, Paulding & Huber

[57] CLAIM

The ornamental design for a spinning toy rattle, as shown and described.

DESCRIPTION

FIG. 1 is a front elevational view of a spinning toy rattle showing our new design;  
FIG. 2 is a rear elevational view thereof;  
FIG. 3 is a left side elevational view thereof;  
FIG. 4 is a top plan view thereof;  
FIG. 5 is a bottom plan view thereof; and,  
FIG. 6 is a right side elevational view thereof.

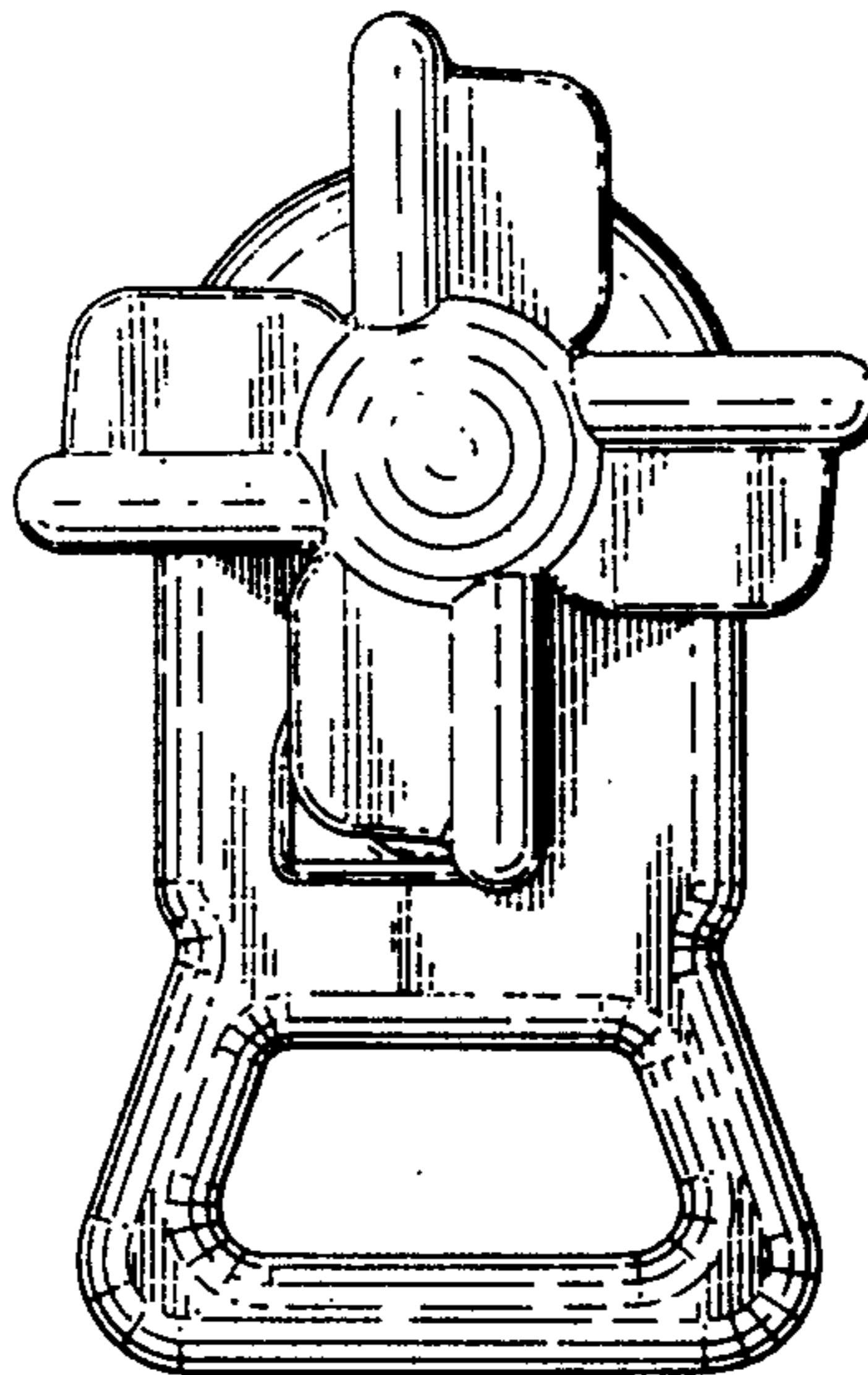


FIG. 1.

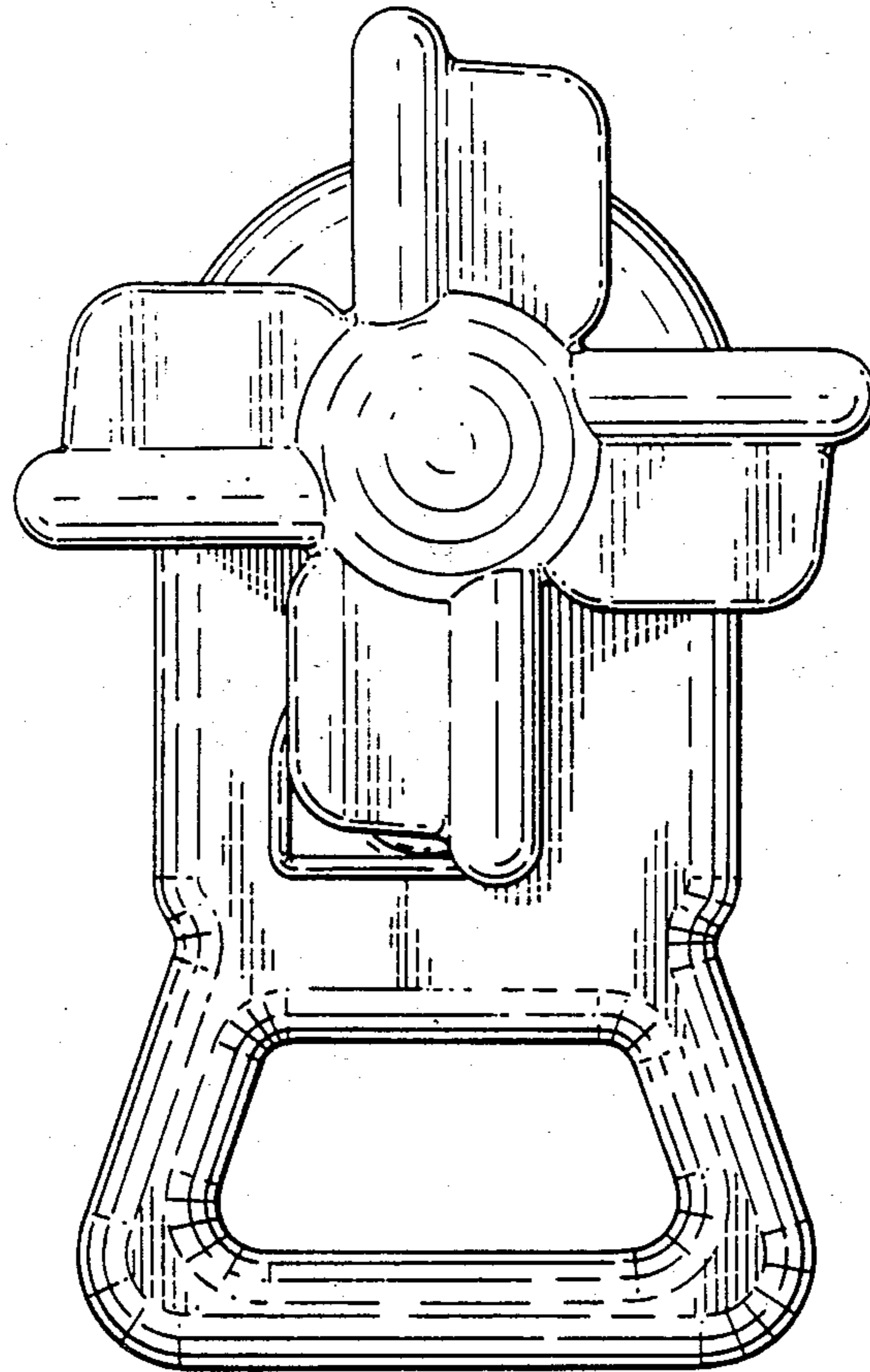


FIG. 4.

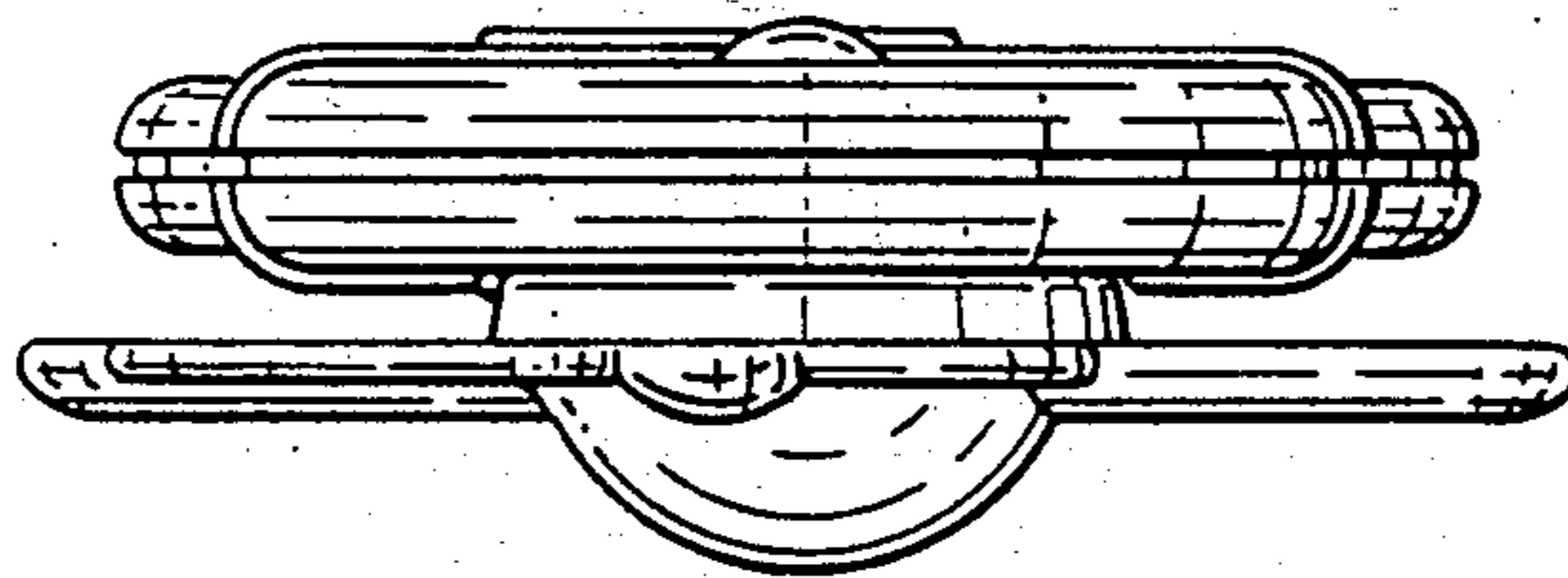


FIG. 2.

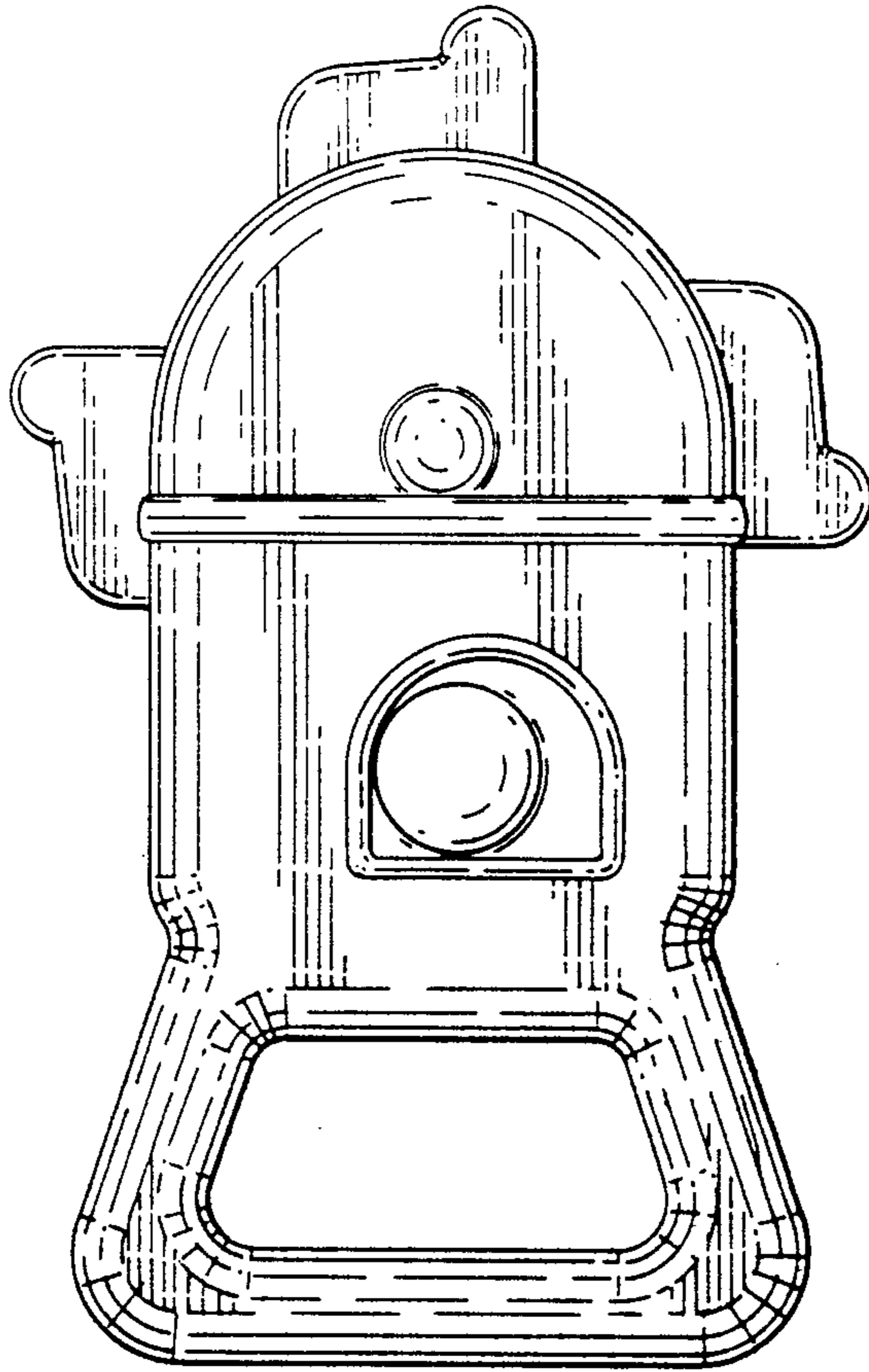


FIG. 5.

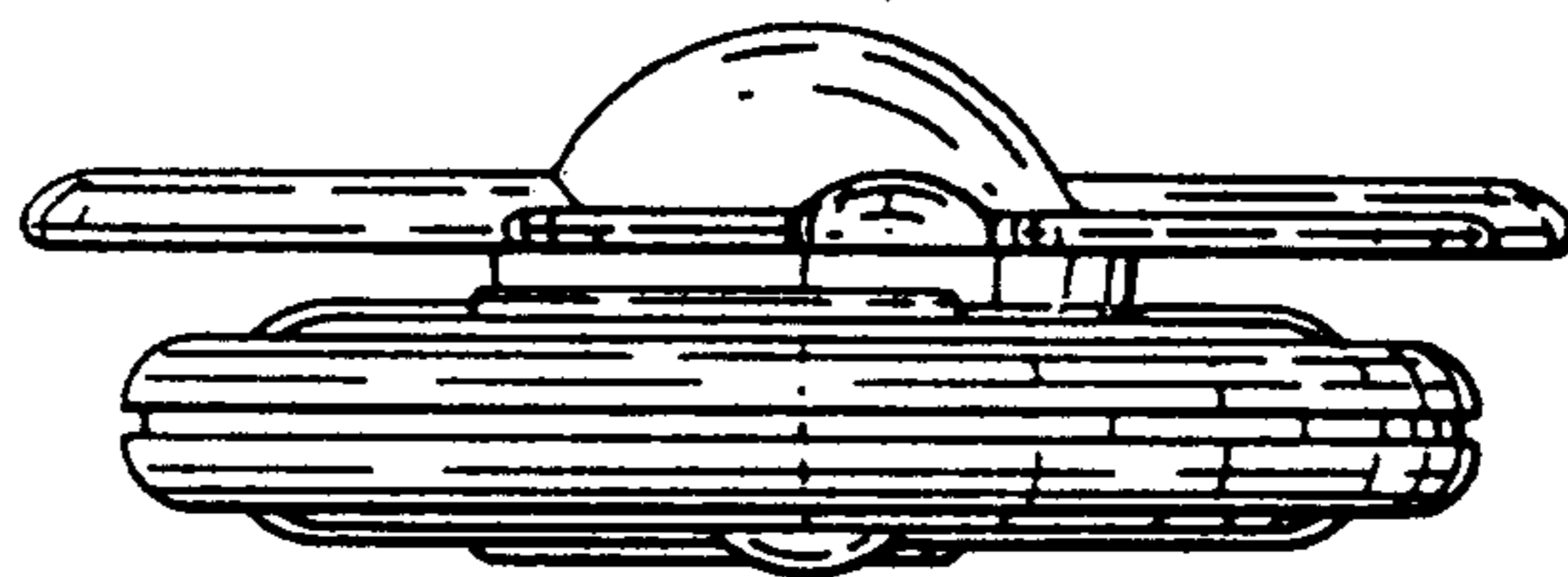


FIG. 3.

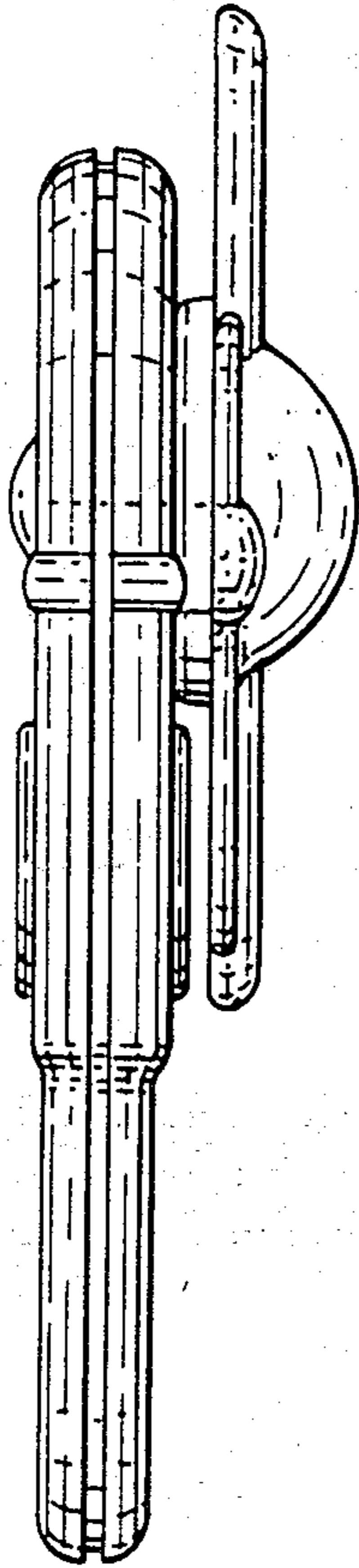


FIG. 6.

