

[54] HOUSING FOR A HINGE FOR SPECTACLE FRAME

[76] Inventor: Vittorio Tabacchi, VII Strada, 20, Padova, Z.I., Italy

[\*\*] Term: 14 Years

[21] Appl. No.: 462,663

[22] Filed: Jan. 31, 1983

[52] U.S. Cl. .... D16/128

[58] Field of Search ..... D16/102-122, D16/127; D2/234; 351/41, 44-48, 51, 52, 59, 63, 83, 85-90, 101, 103, 107-111, 119, 121, 153, 155

[56] References Cited

U.S. PATENT DOCUMENTS

1,530,604	3/1925	Koehler	.....	351/121
3,052,159	9/1962	Gross et al.	.....	351/111 X
3,666,355	5/1972	Griffith	.....	351/111 X
3,744,887	7/1973	Dunbar	.....	16/228 X

4,005,930 2/1977 Guenin ..... 16/228 X

FOREIGN PATENT DOCUMENTS

1317967 1/1963 France ..... 351/89

Primary Examiner—Susan J. Lucas  
Assistant Examiner—Clare E. Heflin  
Attorney, Agent, or Firm—Howard I. Schuldenfrei

[57] CLAIM

The ornamental design for a housing for a hinge for a spectacle frame, as shown and described.

DESCRIPTION

FIG. 1 is a top plan view of a housing for a hinge for a spectacle frame showing my new design;  
FIG. 2 is a side elevational view thereof;  
FIG. 3 is an opposite side elevational view thereof;  
FIG. 4 is a bottom plan view thereof;  
FIG. 5 is a front elevational view thereof;  
FIG. 6 is a rear elevational view thereof;  
FIG. 7 is an enlarged front perspective view thereof.

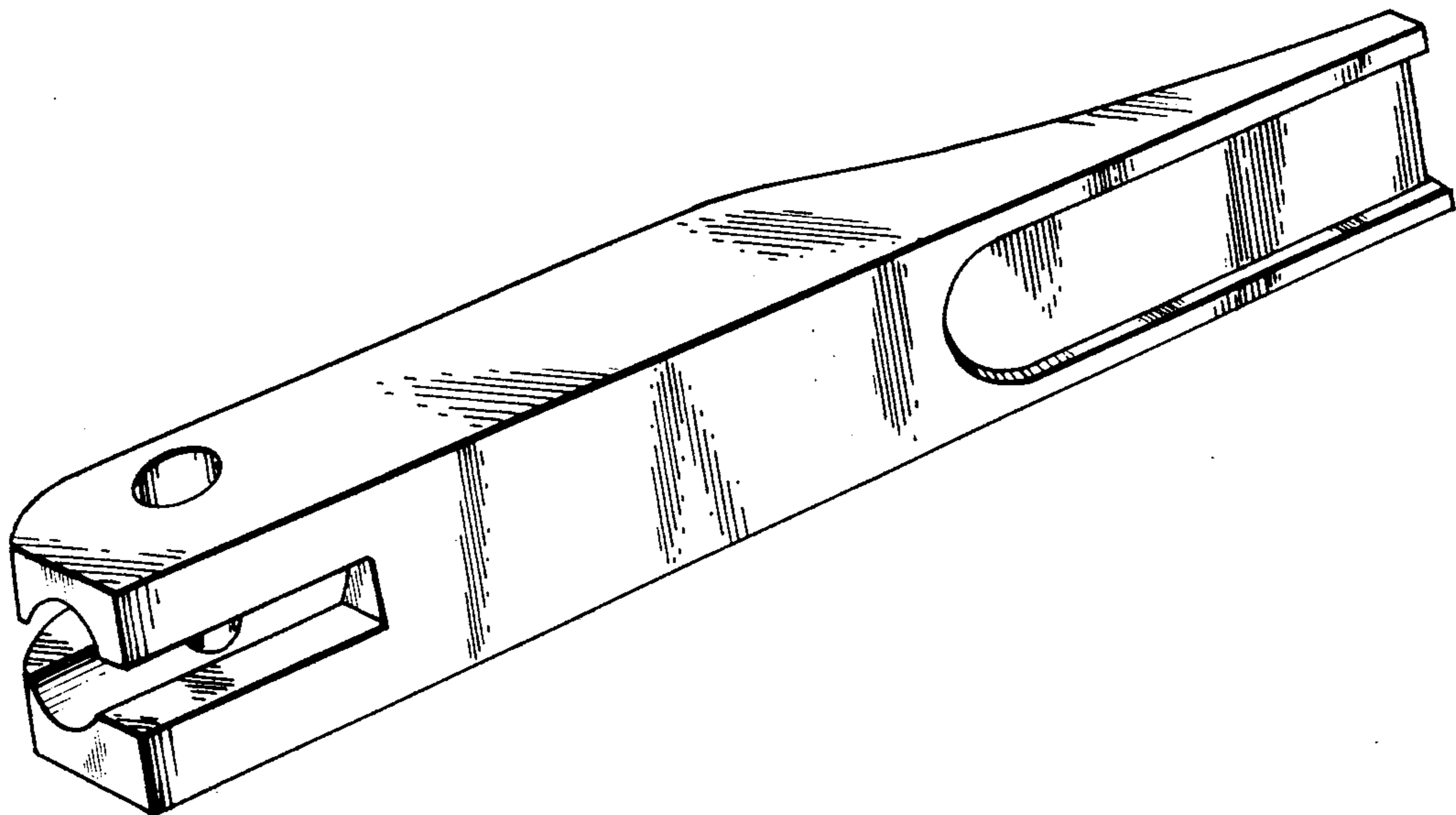


FIG. 1

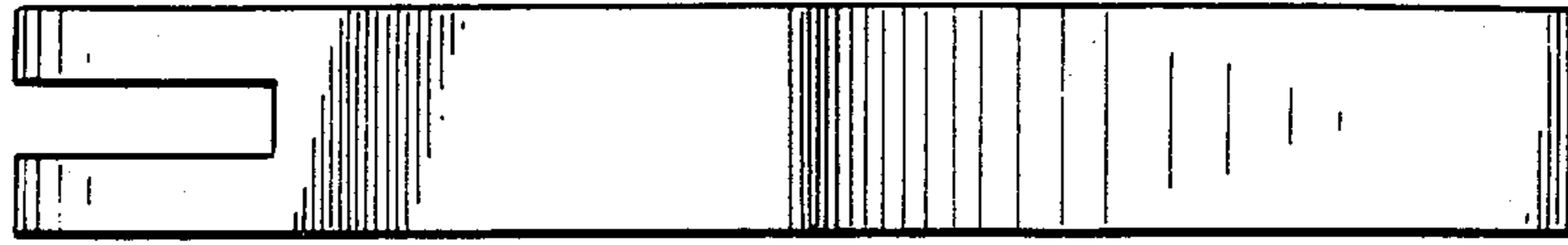


FIG. 2

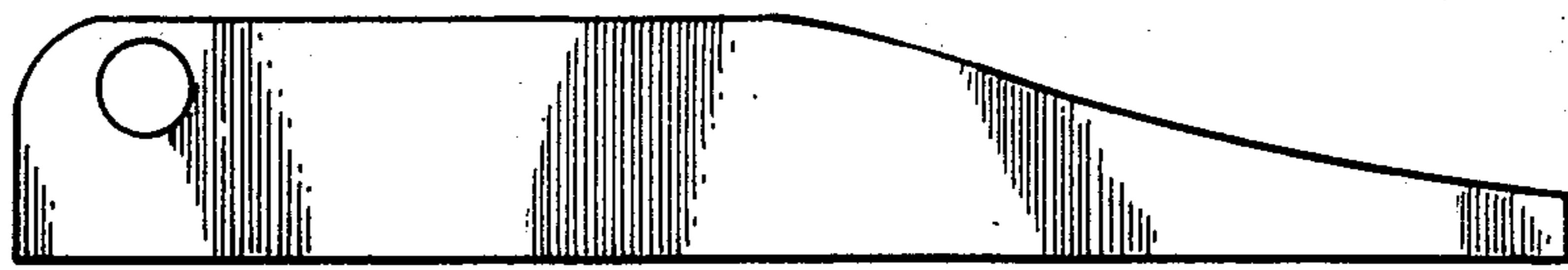


FIG. 3

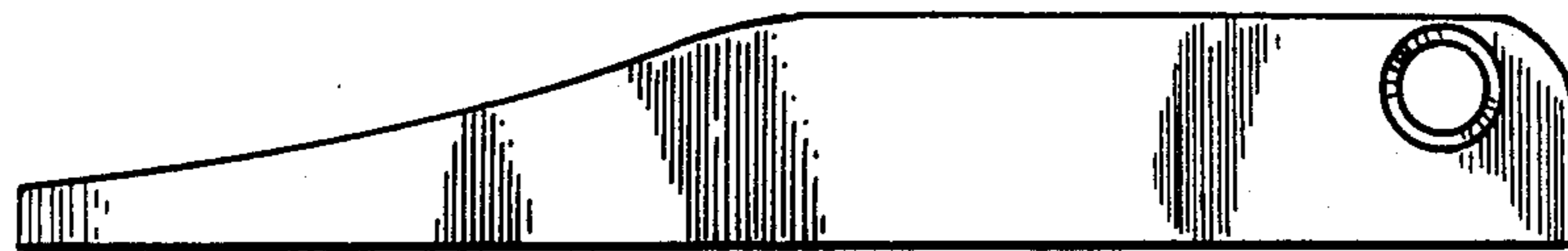


FIG. 4

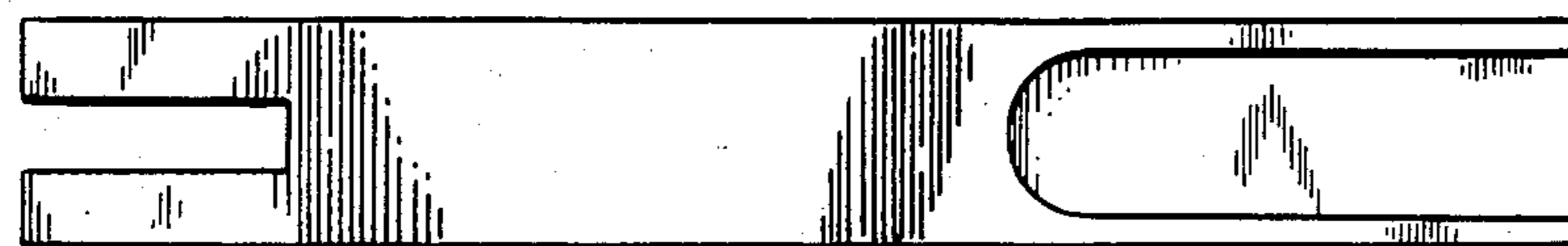


FIG. 5

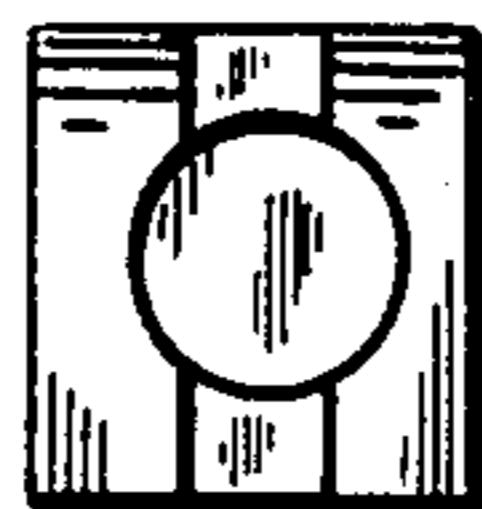


FIG. 6



FIG. 7

