

[54] CAMERA

[75] Inventor: Koichi Soda, Tokyo, Japan

[73] Assignee: Ricoh Company, Ltd., Japan

[**] Term: 14 Years

[21] Appl. No.: 593,727

[22] Filed: Mar. 27, 1984

[30] Foreign Application Priority Data

Sep. 27, 1983 [JP] Japan 58-041928

[52] U.S. Cl. D16/6

[58] Field of Search D16/1-10;
354/126-128, 135, 145, 149, 162-169, 202, 288;
362/7, 8

[56] References Cited

U.S. PATENT DOCUMENTS

- D. 154,985 8/1949 Bouchetal D16/9
- D. 213,852 4/1969 Olson D16/6
- D. 271,880 12/1983 Agou D16/1
- D. 271,881 12/1983 Kato D16/6
- 4,171,894 10/1979 Yamada 354/187

FOREIGN PATENT DOCUMENTS

2902600 7/1980 Fed. Rep. of Germany 354/187

OTHER PUBLICATIONS

Popular Photography-6/83-p. 73-Cameras at bottom-left and center.

Primary Examiner-Nelson C. Holtje
Attorney, Agent, or Firm-Guy W. Shoup

[57] CLAIM

The ornamental design for camera, as shown and described.

DESCRIPTION

FIG. 1 is a front and top-left perspective view of a camera showing my new design;
 FIG. 2 is a front elevational view thereof;
 FIG. 3 is a top plan view thereof;
 FIG. 4 is a right side elevational view thereof;
 FIG. 5 is a left side elevational view thereof;
 FIG. 6 is a rear elevational view thereof;
 FIG. 7 is a top plan view thereof;
 FIG. 8 is a front and top-left perspective view thereof with the flash unit in the raised position.

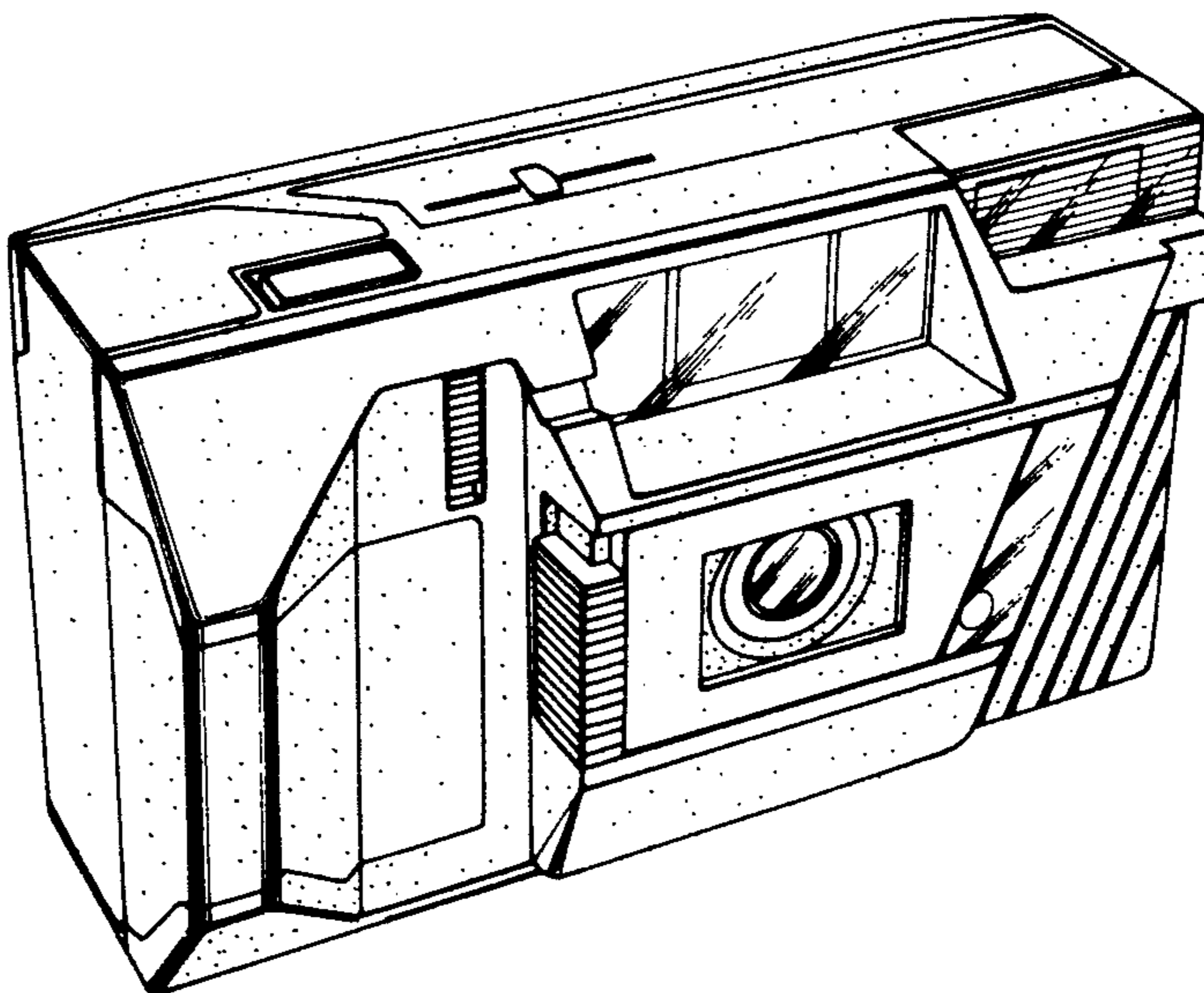


FIG. 1

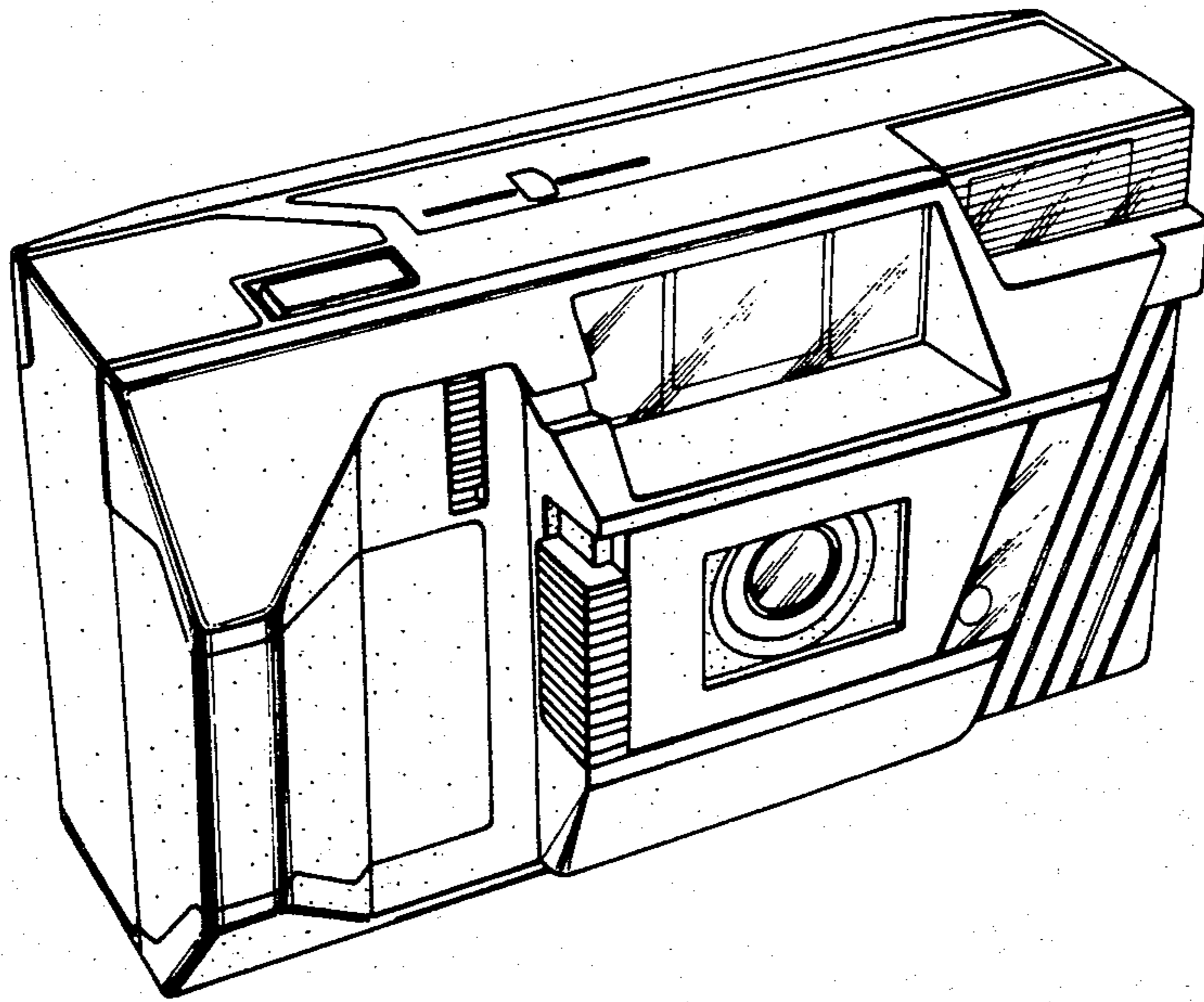


FIG. 2

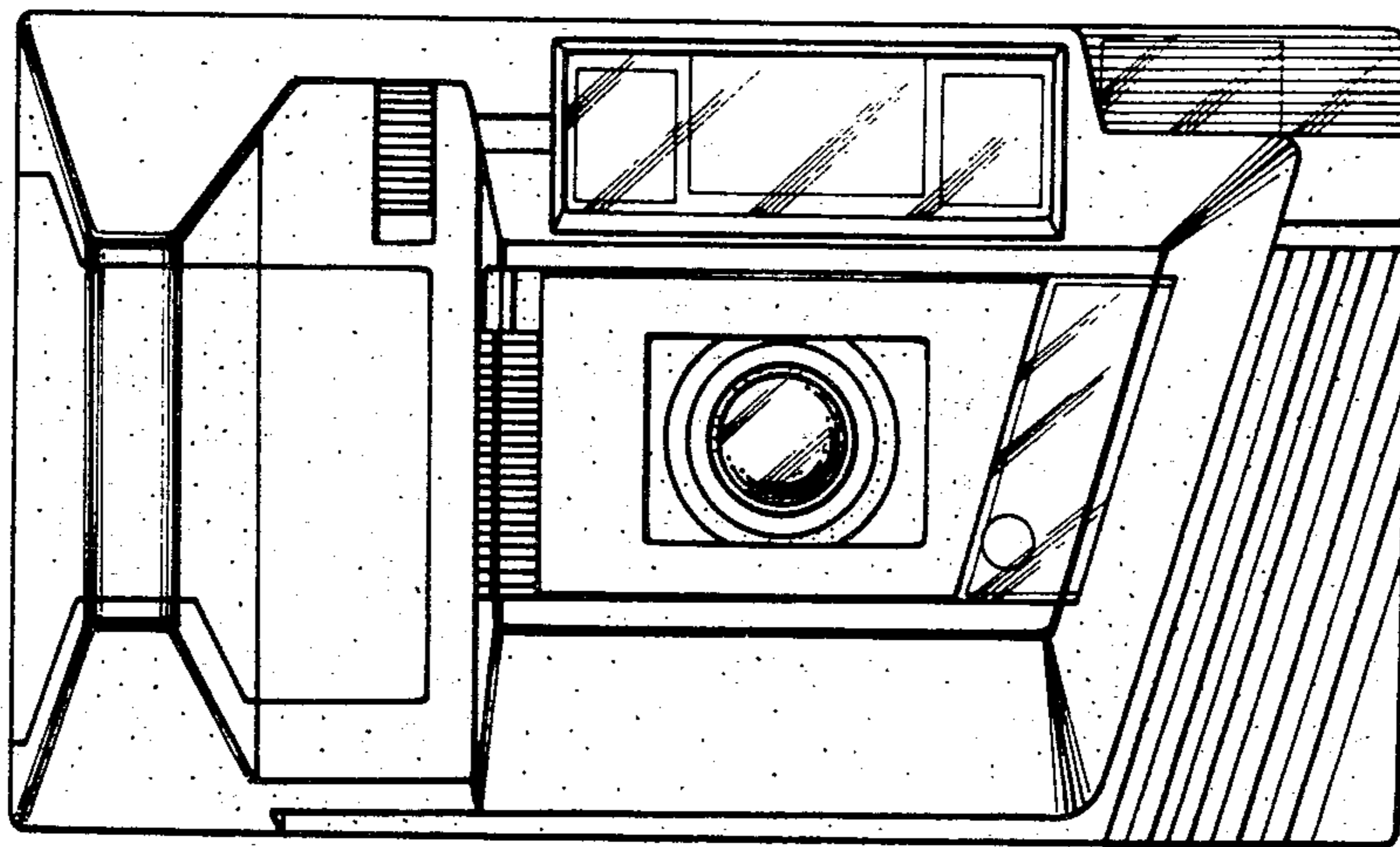


FIG. 3

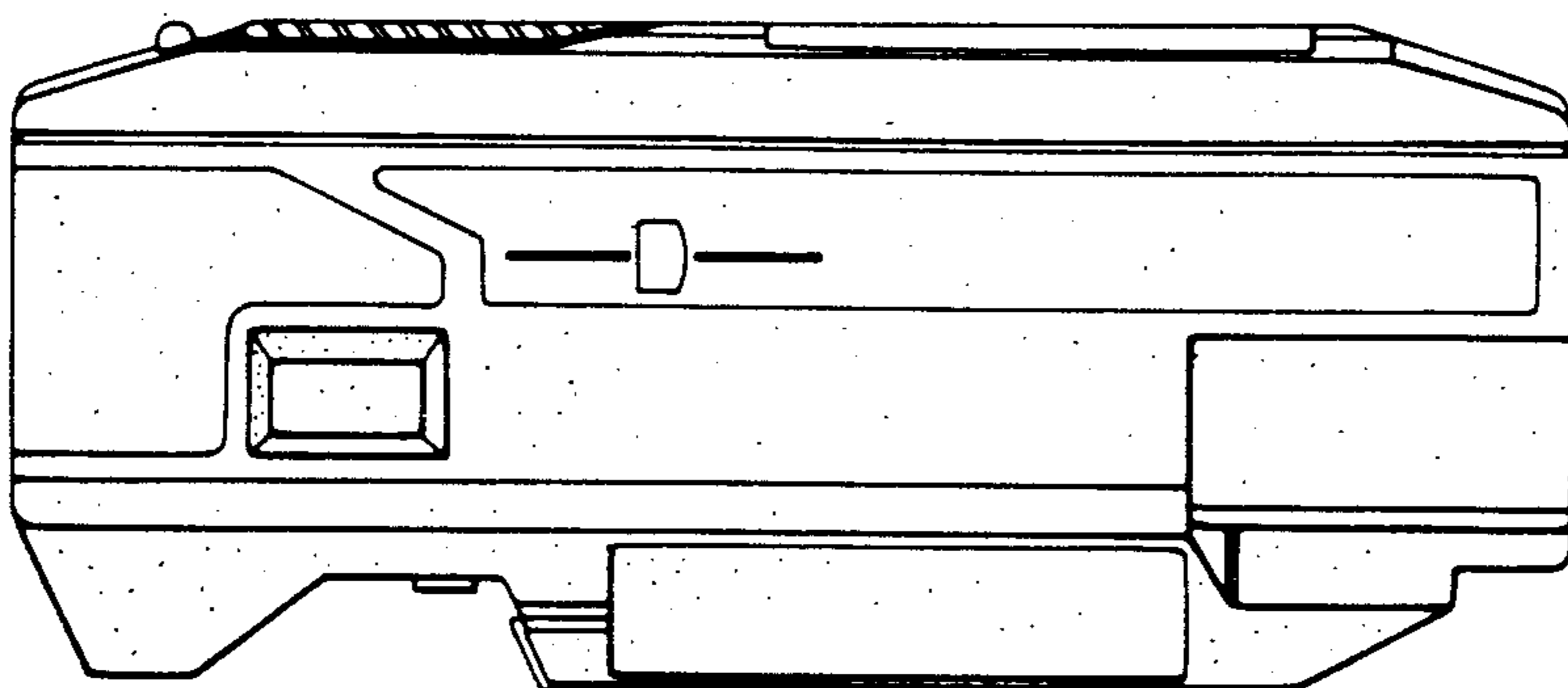


FIG. 4

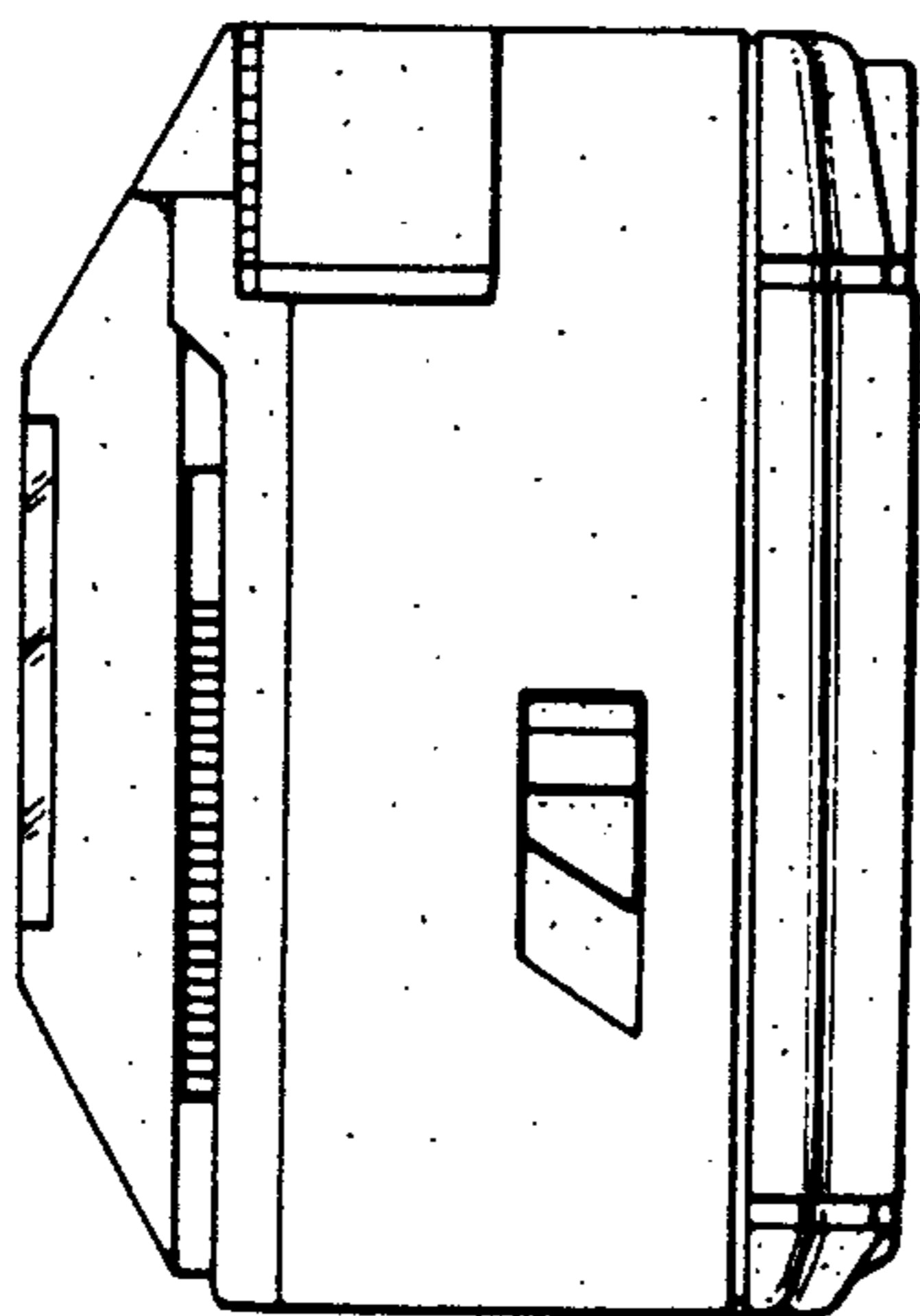


FIG. 5

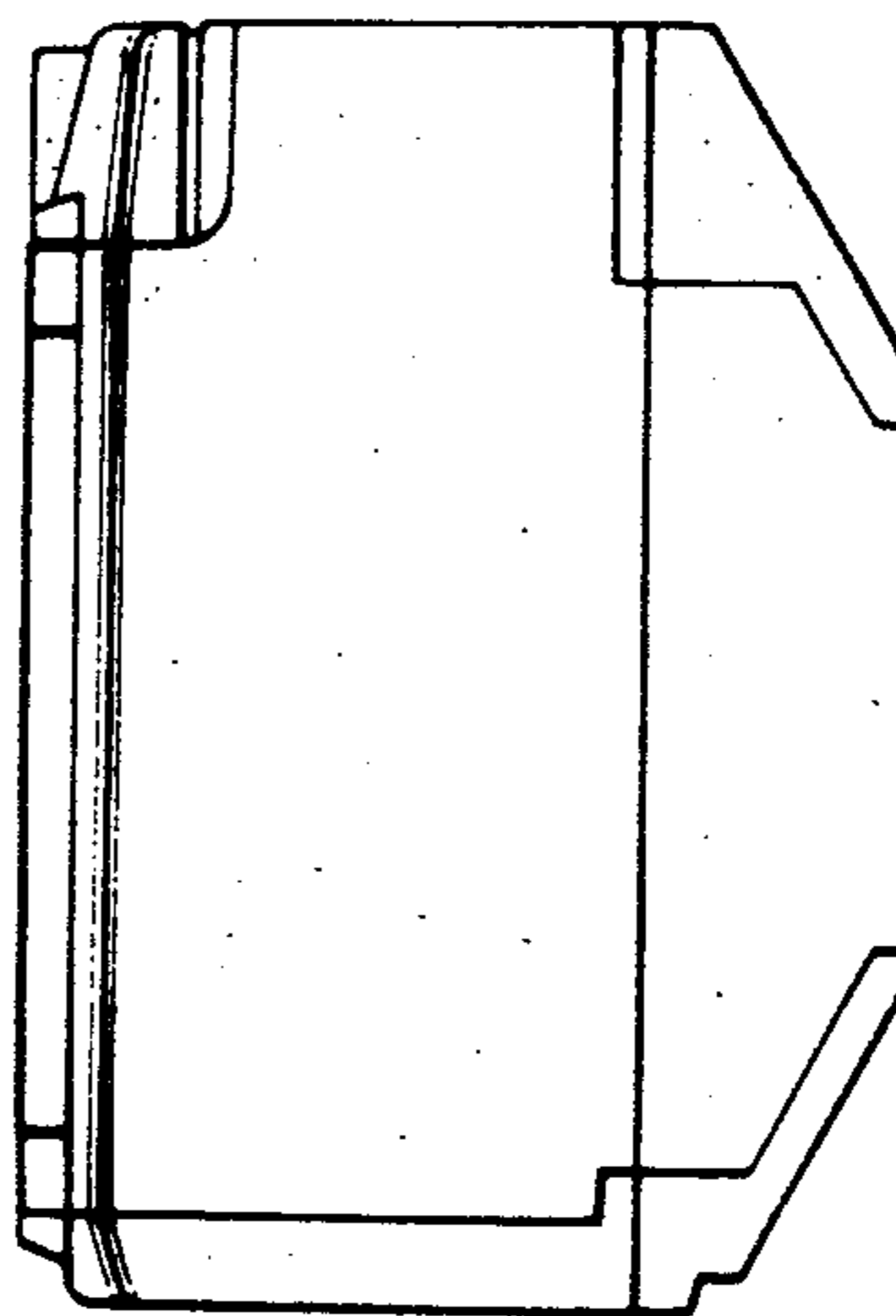


FIG. 6

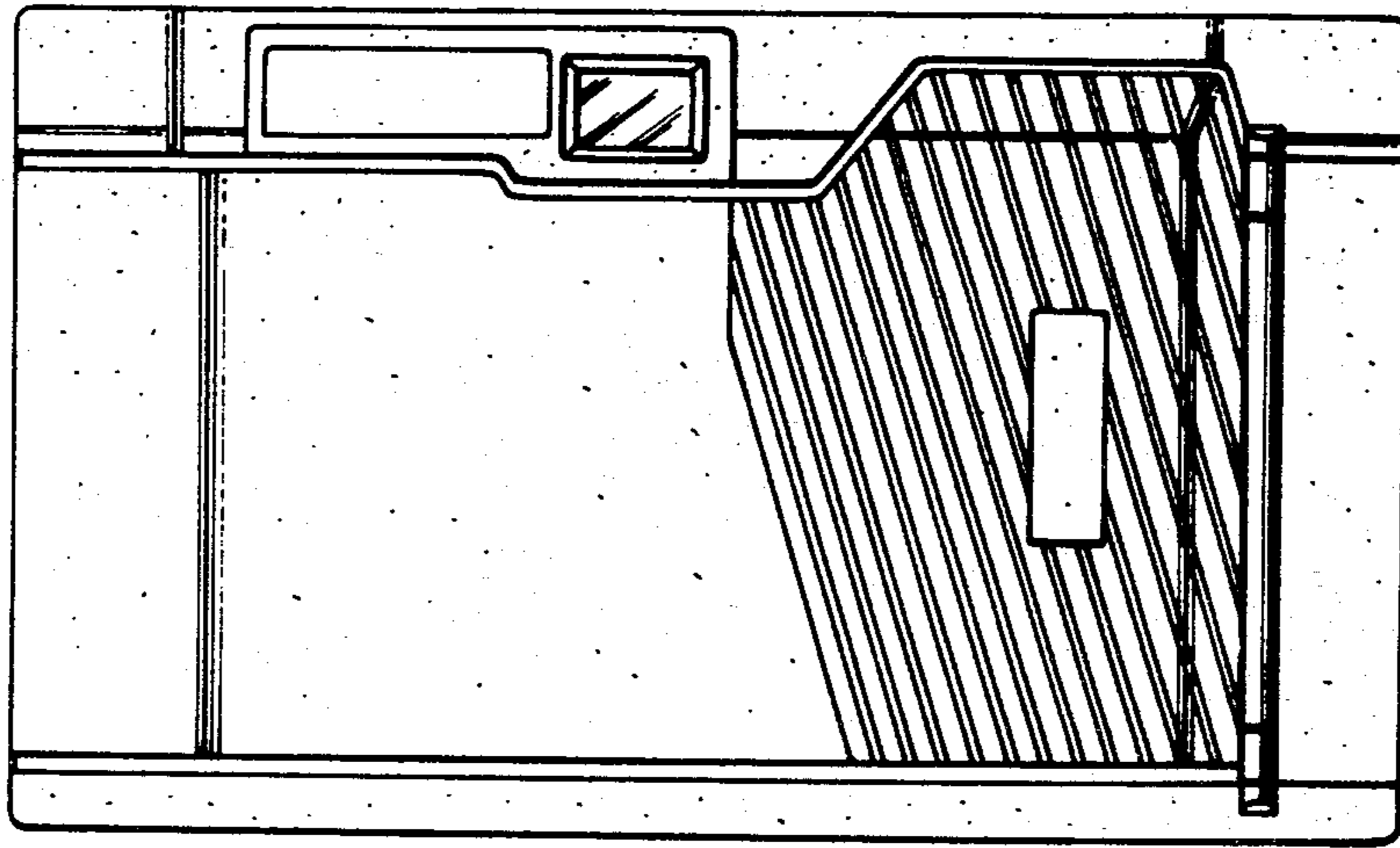


FIG. 7

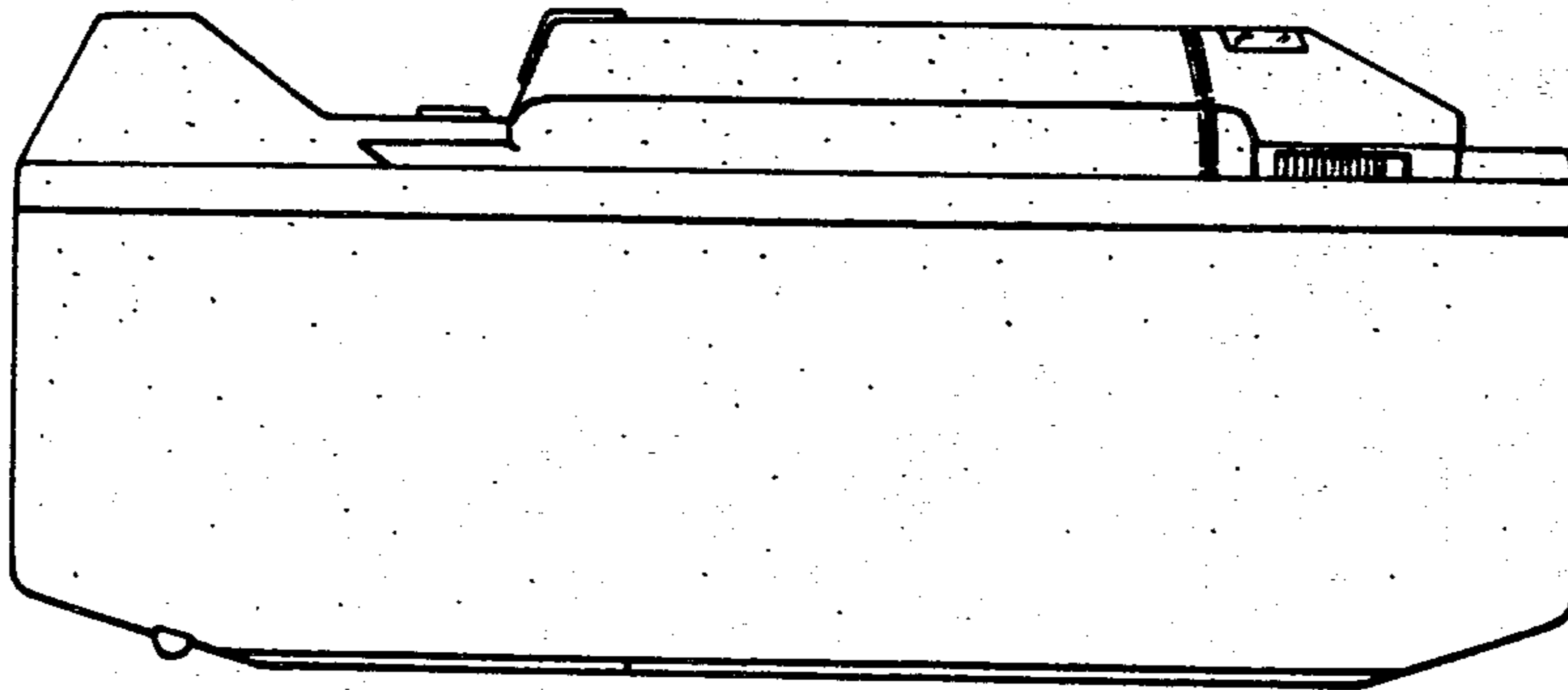


FIG. 8

