

[54] ELECTRIC PLANER

[75] Inventor: Toshimitsu Hashii, Hiroshima, Japan

[73] Assignee: Ryobi Ltd., Hiroshima, Japan

[**] Term: 14 Years

[21] Appl. No.: 591,086

[22] Filed: Mar. 19, 1984

[30] Foreign Application Priority Data

Oct. 14, 1983 [JP] Japan 58-44737

[52] U.S. Cl. D15/127

[58] Field of Search D15/127; 144/114 R, 144/117 R, 100, 118, 119 R, 129

[56] References Cited

U.S. PATENT DOCUMENTS

D. 266,766 11/1982 Lawson D15/127
2,792,036 5/1957 Buttke 144/114 R

2,908,301 10/1959 Baumbach et al. 144/117 R
3,718,168 2/1973 Berends 144/117 R
3,727,654 4/1973 Mochizuki 144/129
4,436,126 3/1984 Lawson 144/117 R

Primary Examiner—B. J. Bullock
Attorney, Agent, or Firm—Sughrue, Mion, Zinn,
Macpeak & Seas

[57] CLAIM

The ornamental design for an electric planer, as shown.

DESCRIPTION

FIG. 1 is a front, top and right side perspective view of an electric planer showing my new design; FIG. 2 is a front, elevational view thereof; FIG. 3 is a rear elevational view thereof; FIG. 4 is a top plan view thereof; FIG. 5 is a bottom plan view thereof; FIG. 6 is a left side elevational view thereof; and FIG. 7 is a right side elevational view thereof.

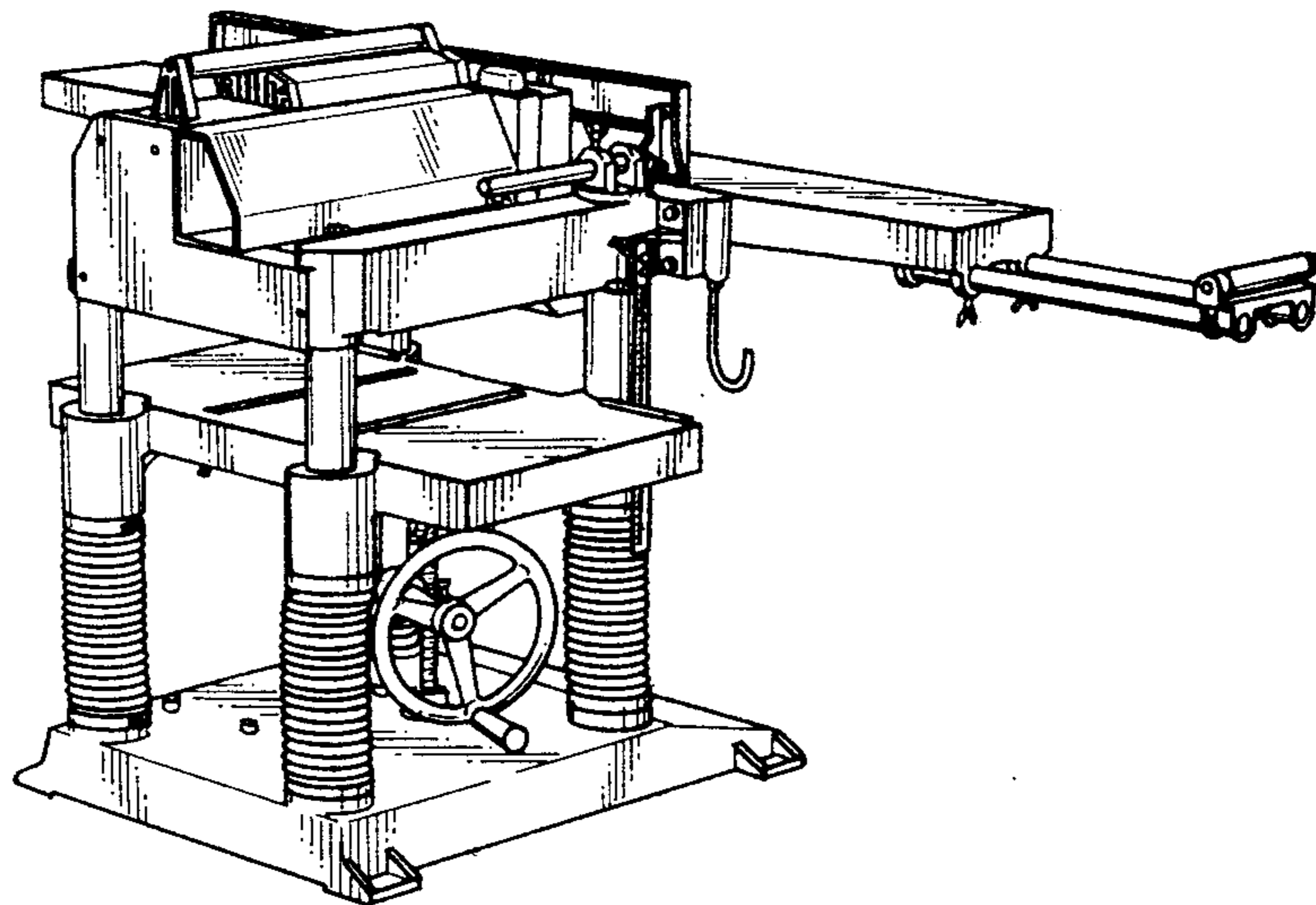


Fig. 1

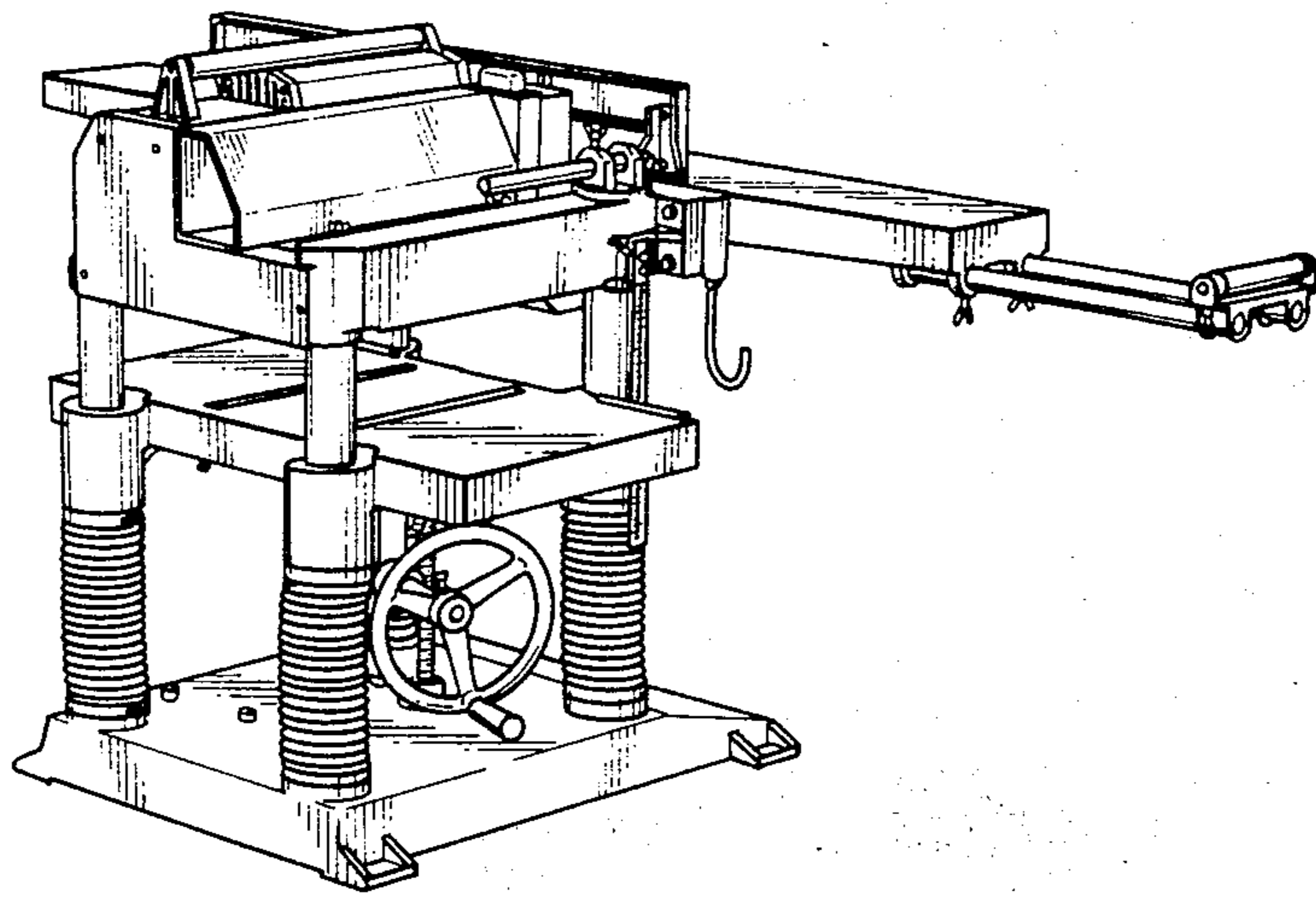


Fig. 2

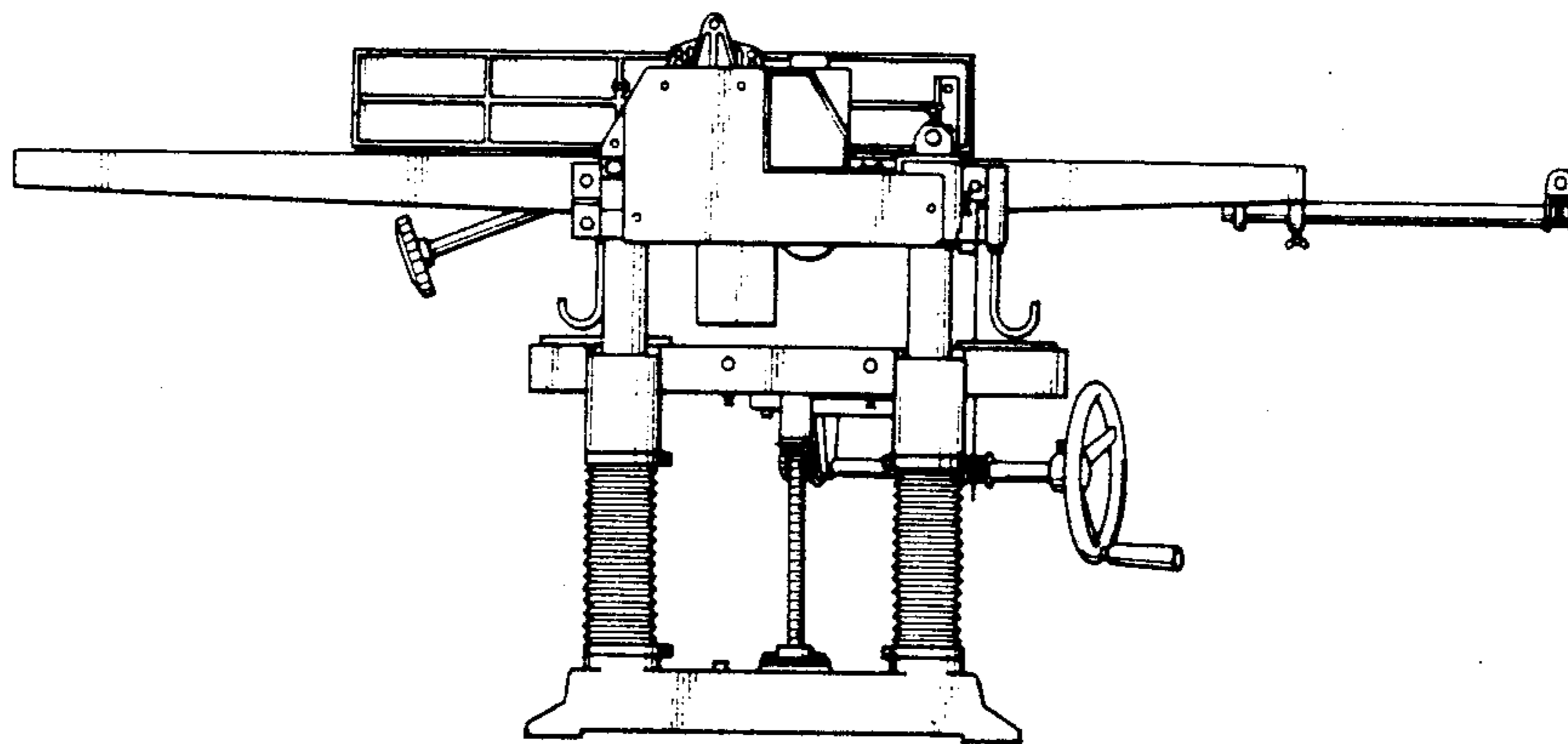


Fig. 3

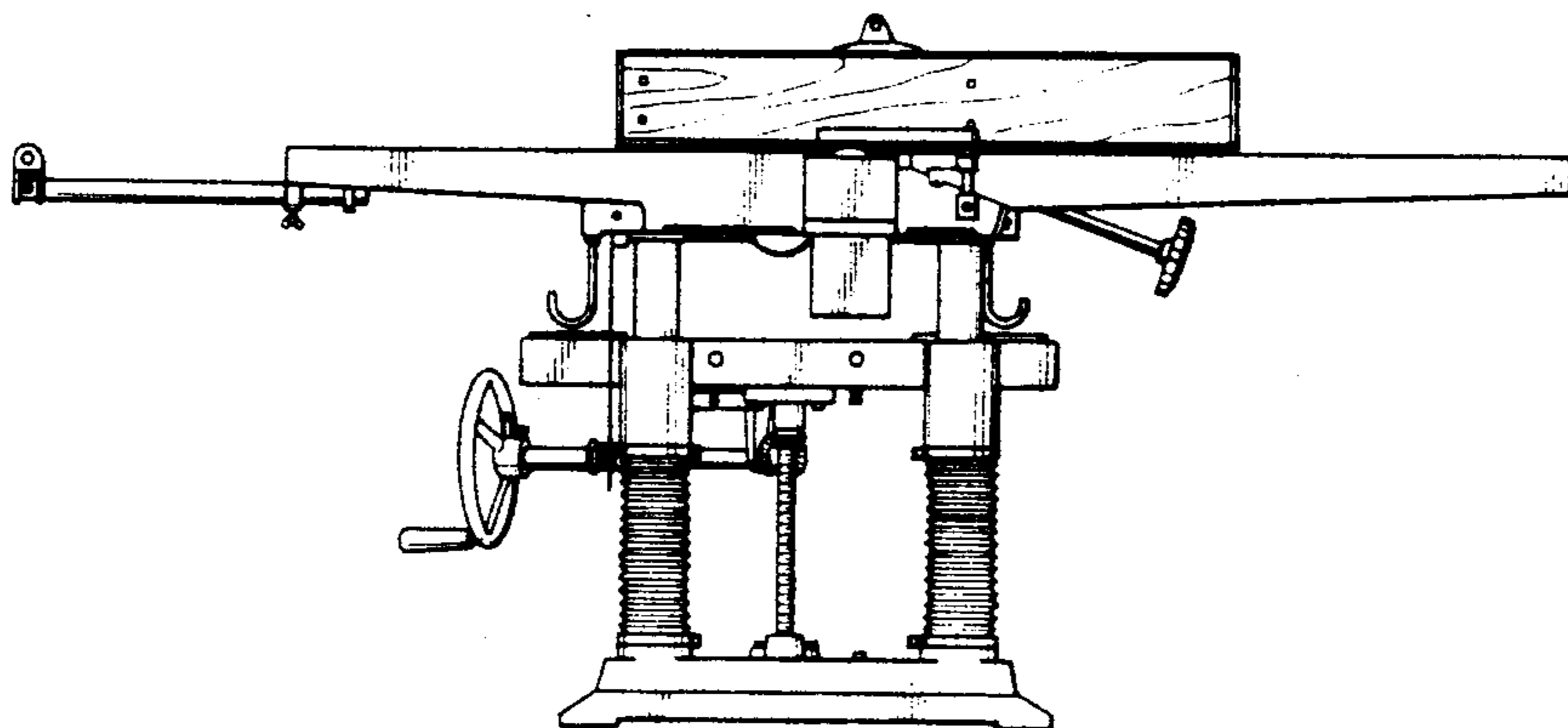


Fig. 4

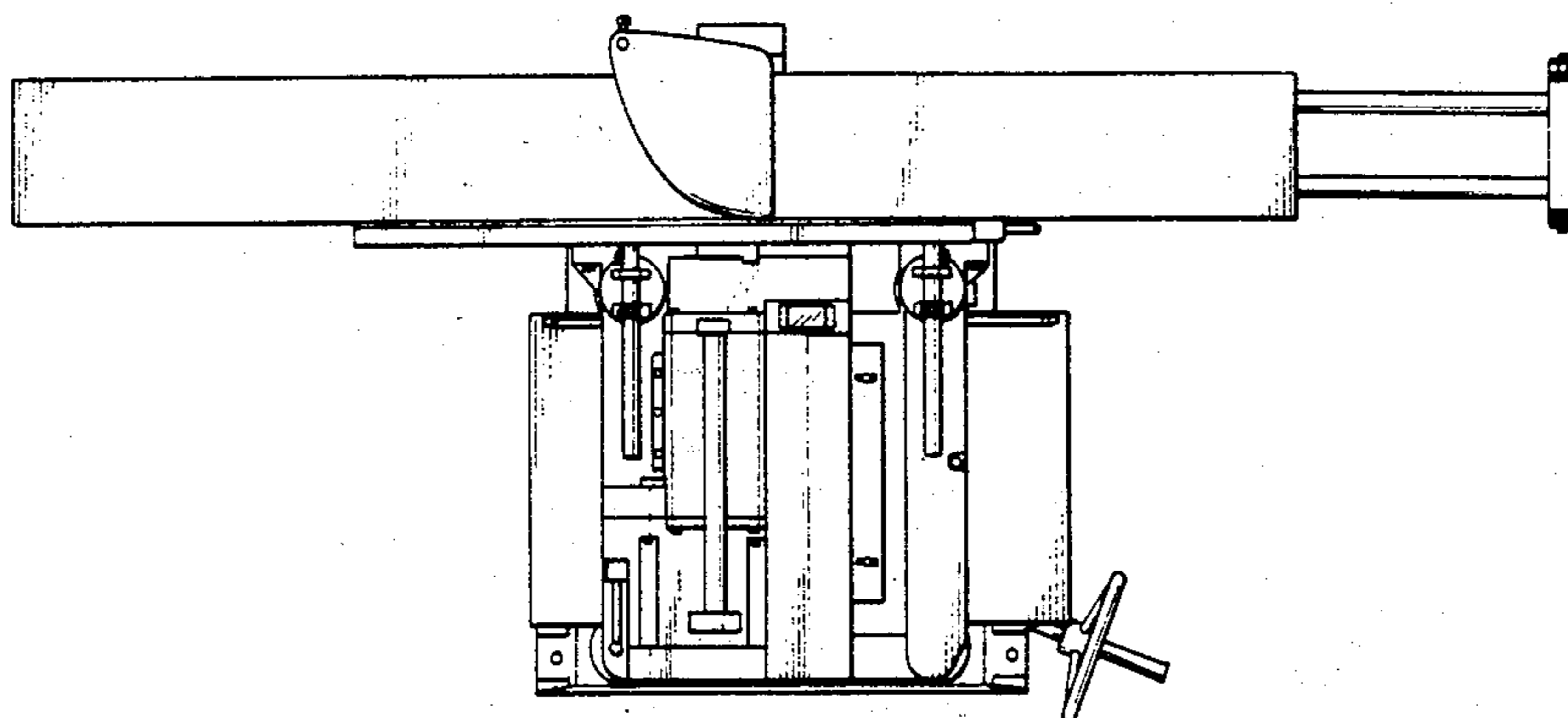


Fig. 5

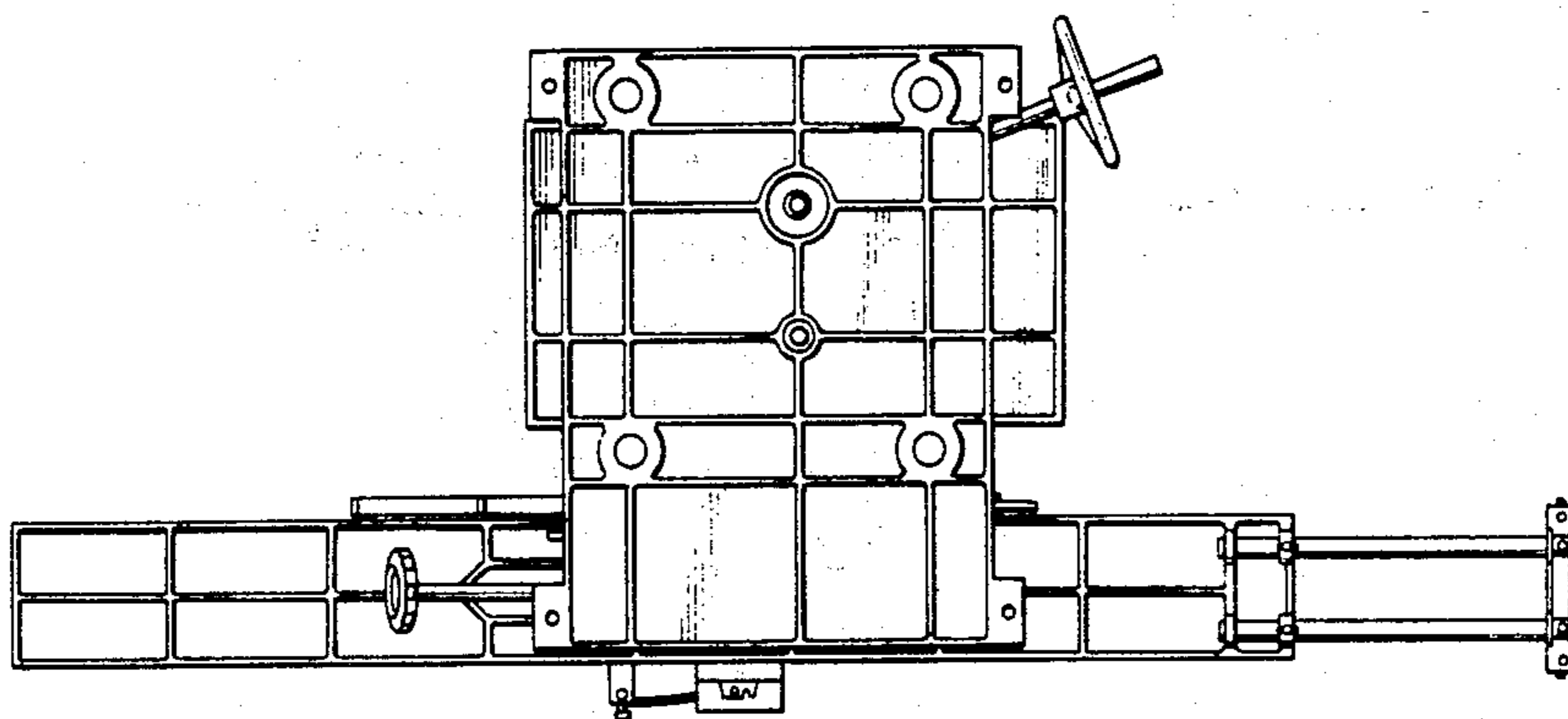


Fig. 6

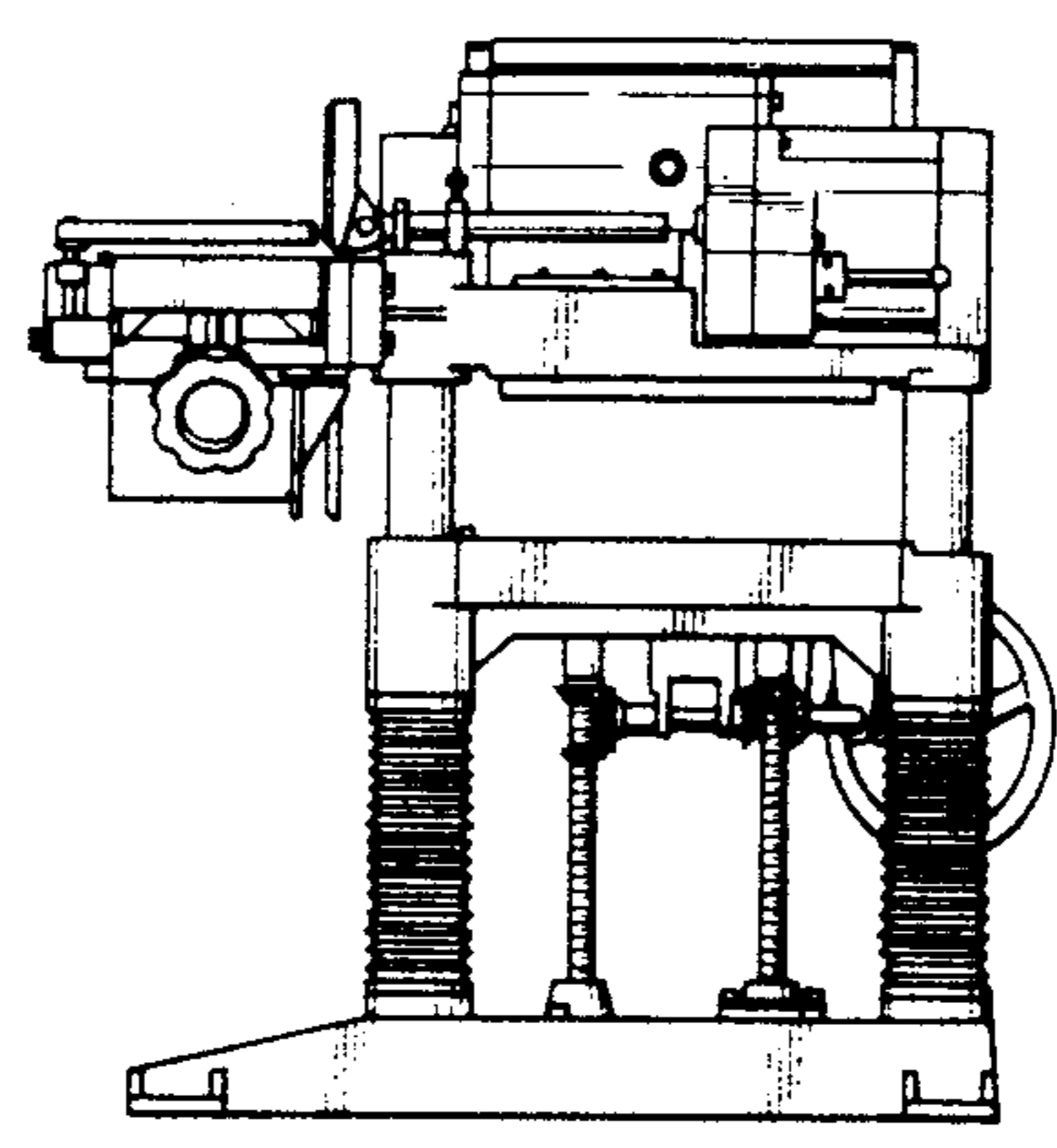


Fig. 7

