

[54] **TWO-STAGE PUMP**

[75] **Inventors:** Carl G. Dudeck, Newtown; Richard A. Lametto, West Redding, both of Conn.

[73] **Assignee:** The Nash Engineering Company, Norwalk, Conn.

[\*\*] **Term:** 14 Years

[21] **Appl. No.:** 557,943

[22] **Filed:** Dec. 5, 1983

[52] **U.S. Cl. .... D15/7**

[58] **Field of Search ..... D15/7, 9; 417/63, 54**

[56] **References Cited**

**U.S. PATENT DOCUMENTS**

D. 110,935	8/1938	Voorhees et al. ....	D15/7
D. 202,145	8/1965	Schroeder et al. ....	D15/7
D. 229,236	11/1973	Doolin .....	D15/7
4,257,747	3/1981	Goldman .....	417/63

**OTHER PUBLICATIONS**

Nash® Multistage Vacuum Pumps, Bulletin No. 499-C, Copyright 1974 The Nash Engineering Company.

*Primary Examiner*—Wallace R. Burke  
*Assistant Examiner*—Lynn Wilder

[57] **CLAIM**

The ornamental design for a two-stage pump, as shown.

**DESCRIPTION**

FIG. 1 is a perspective view of a two-stage pump showing our new design;  
FIG. 2 is a side elevational view thereof;  
FIG. 3 is an elevational view of the opposite side thereof;  
FIG. 4 is an end elevational view thereof;  
FIG. 5 is an elevational view of the opposite end thereof;  
FIG. 6 is a top plan view thereof; and  
FIG. 7 is a bottom plan view thereof.

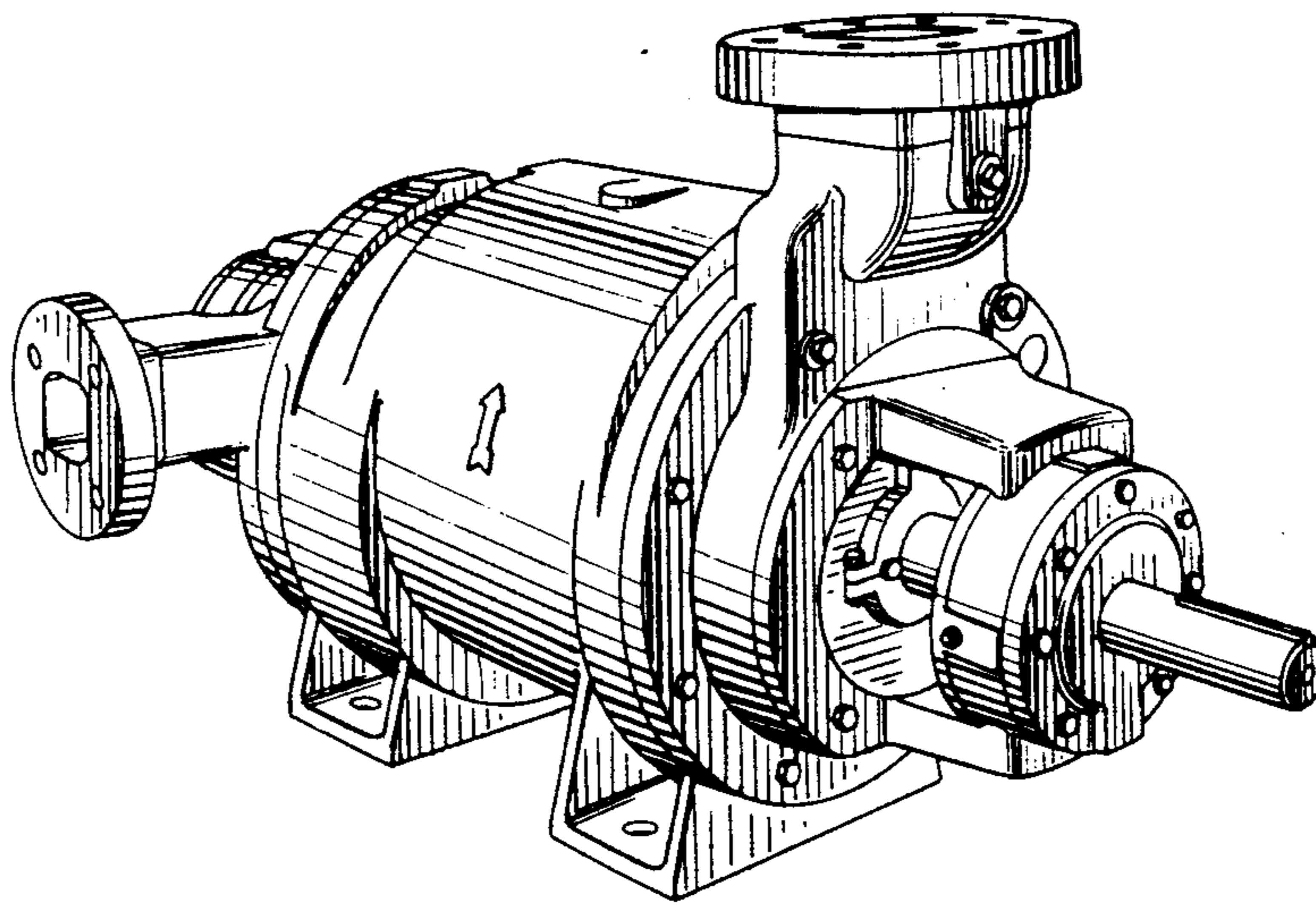


Fig. 1.

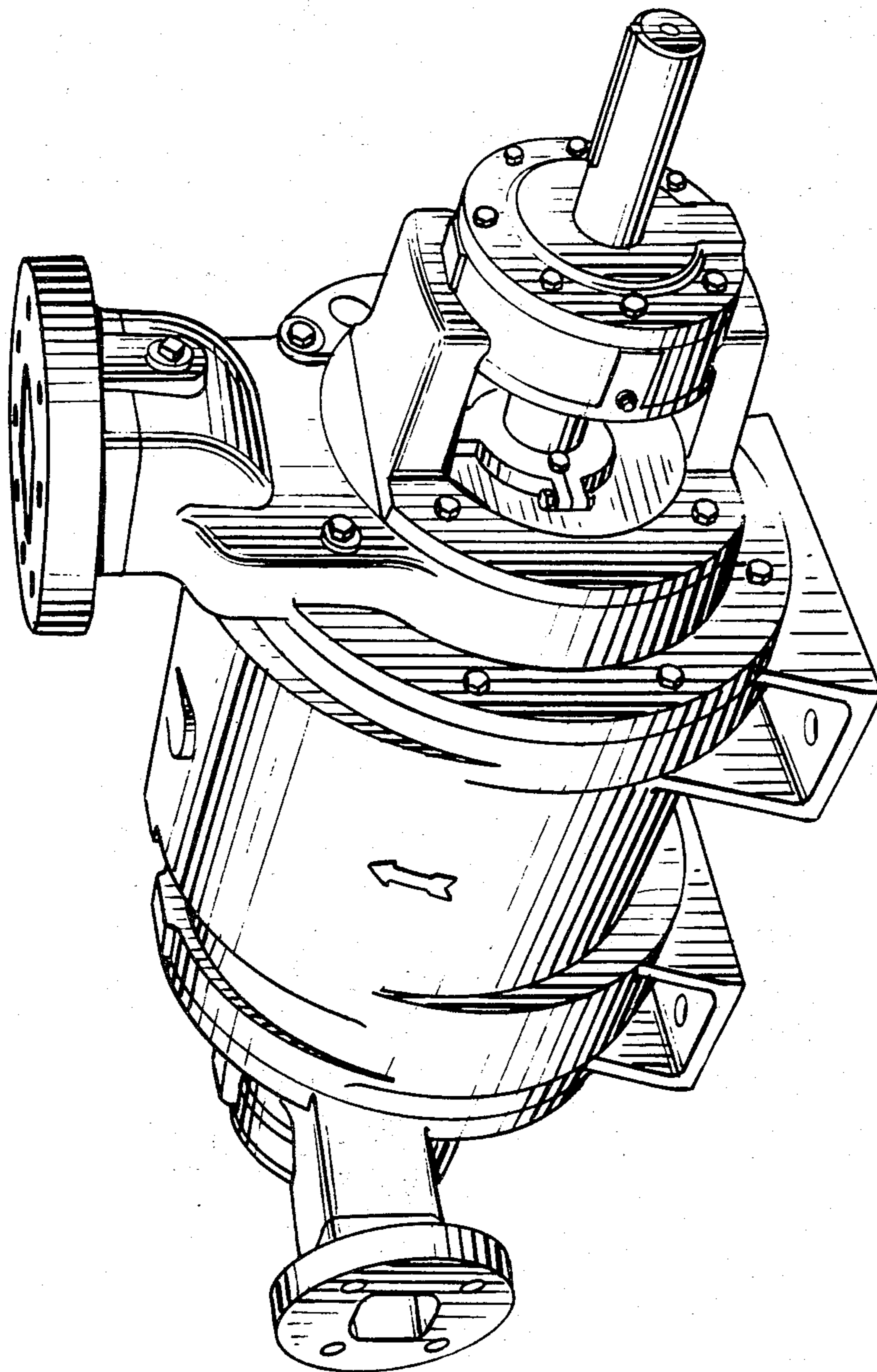


Fig. 2.

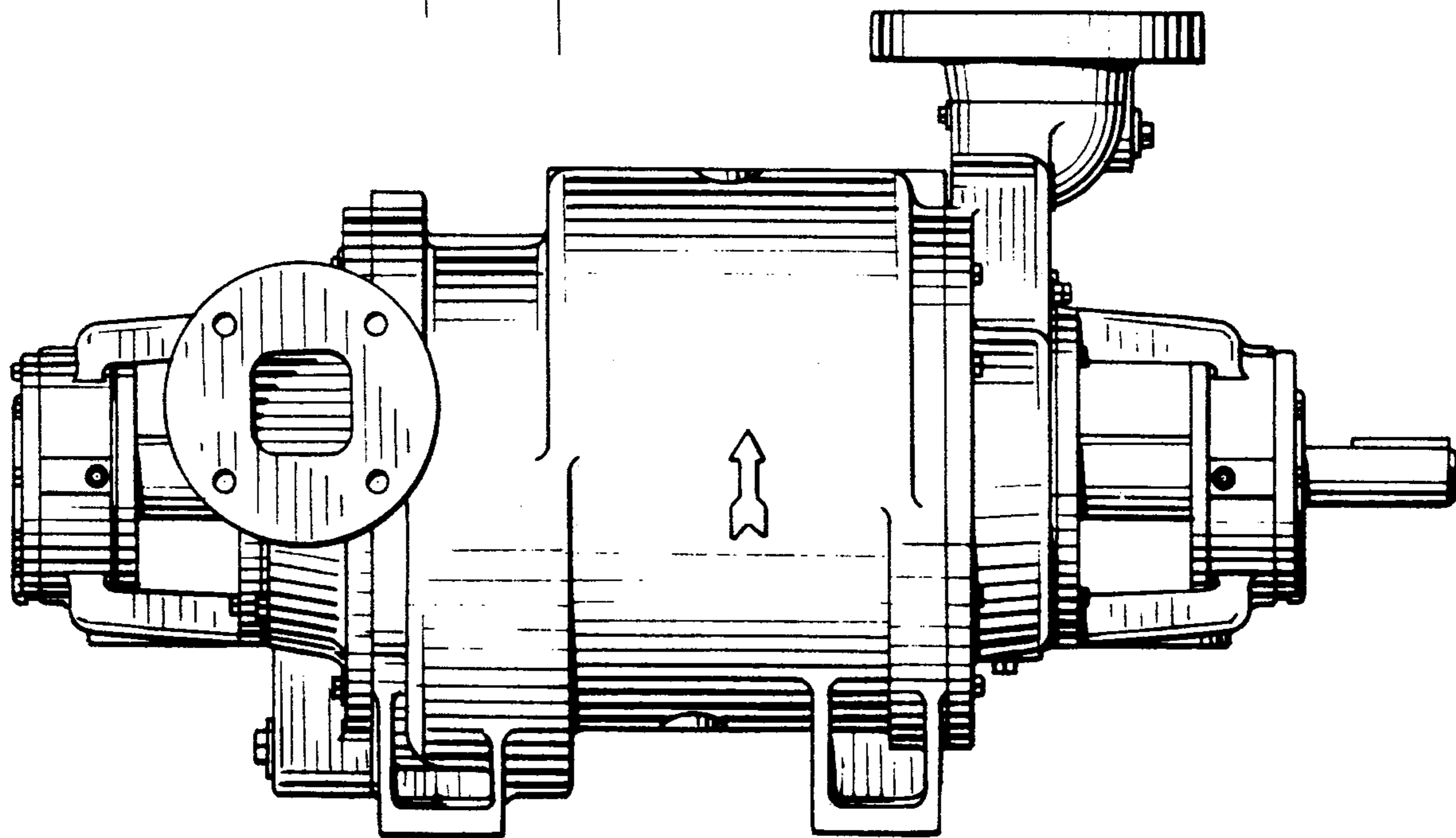
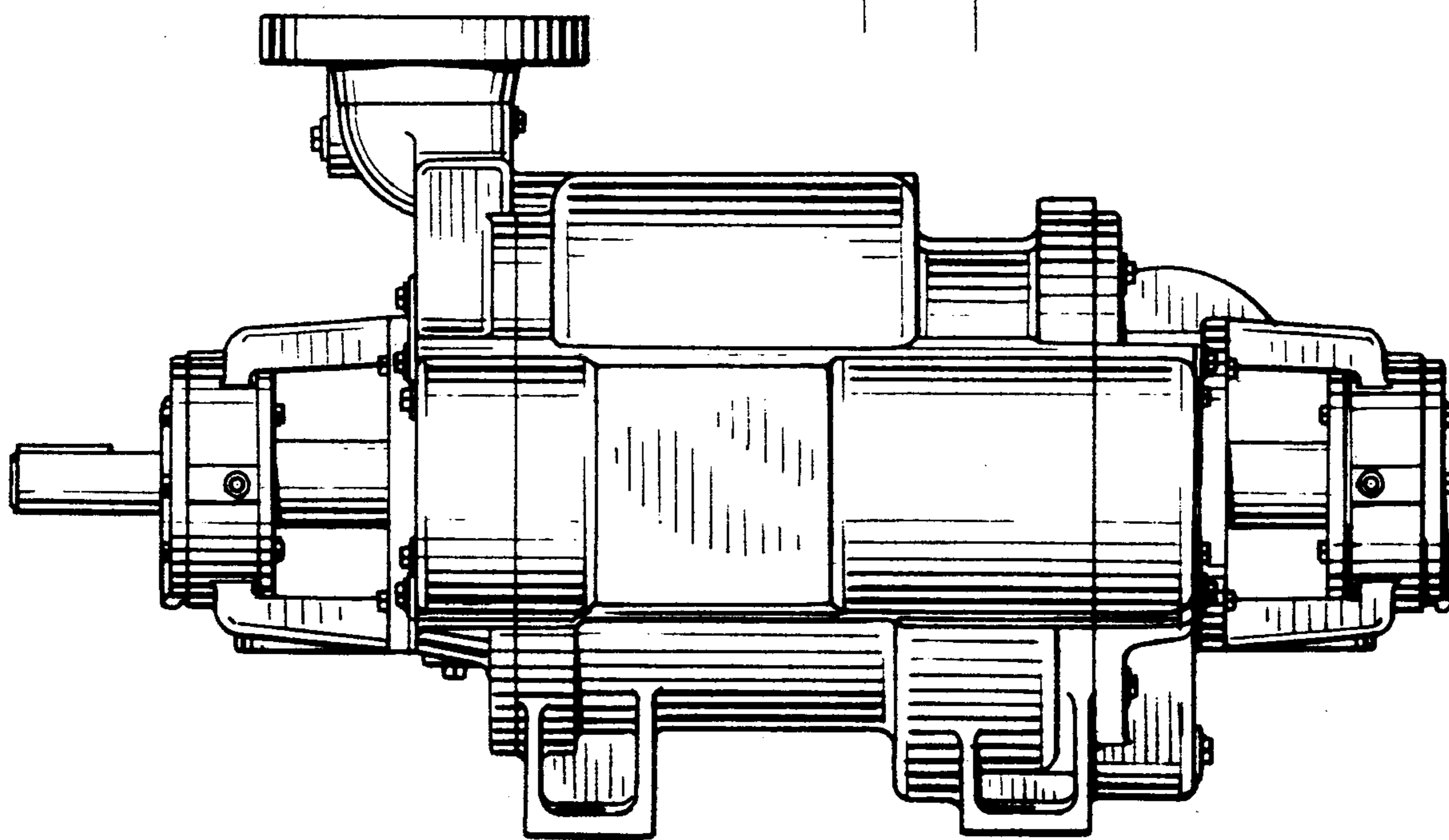


Fig. 3.





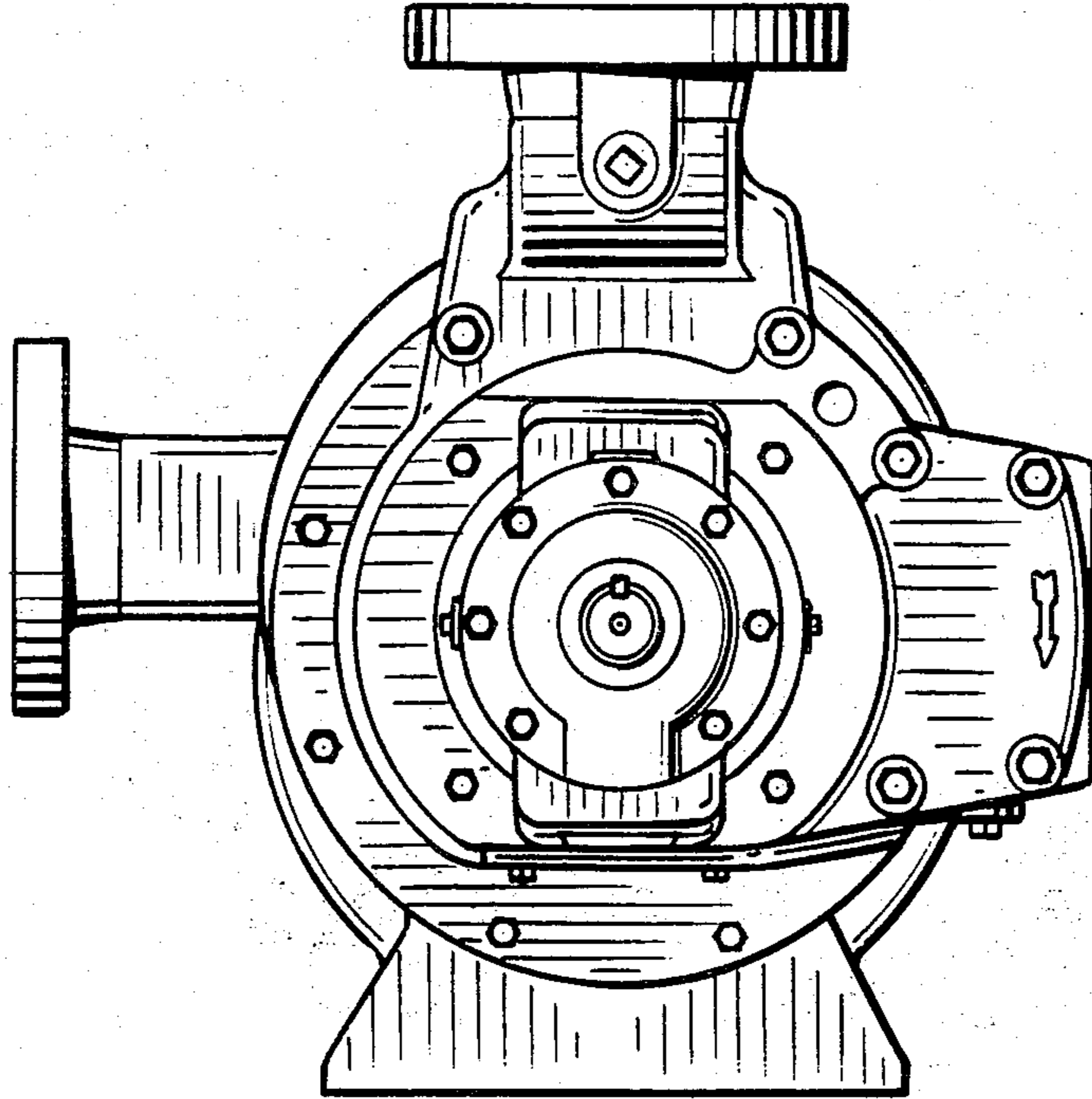
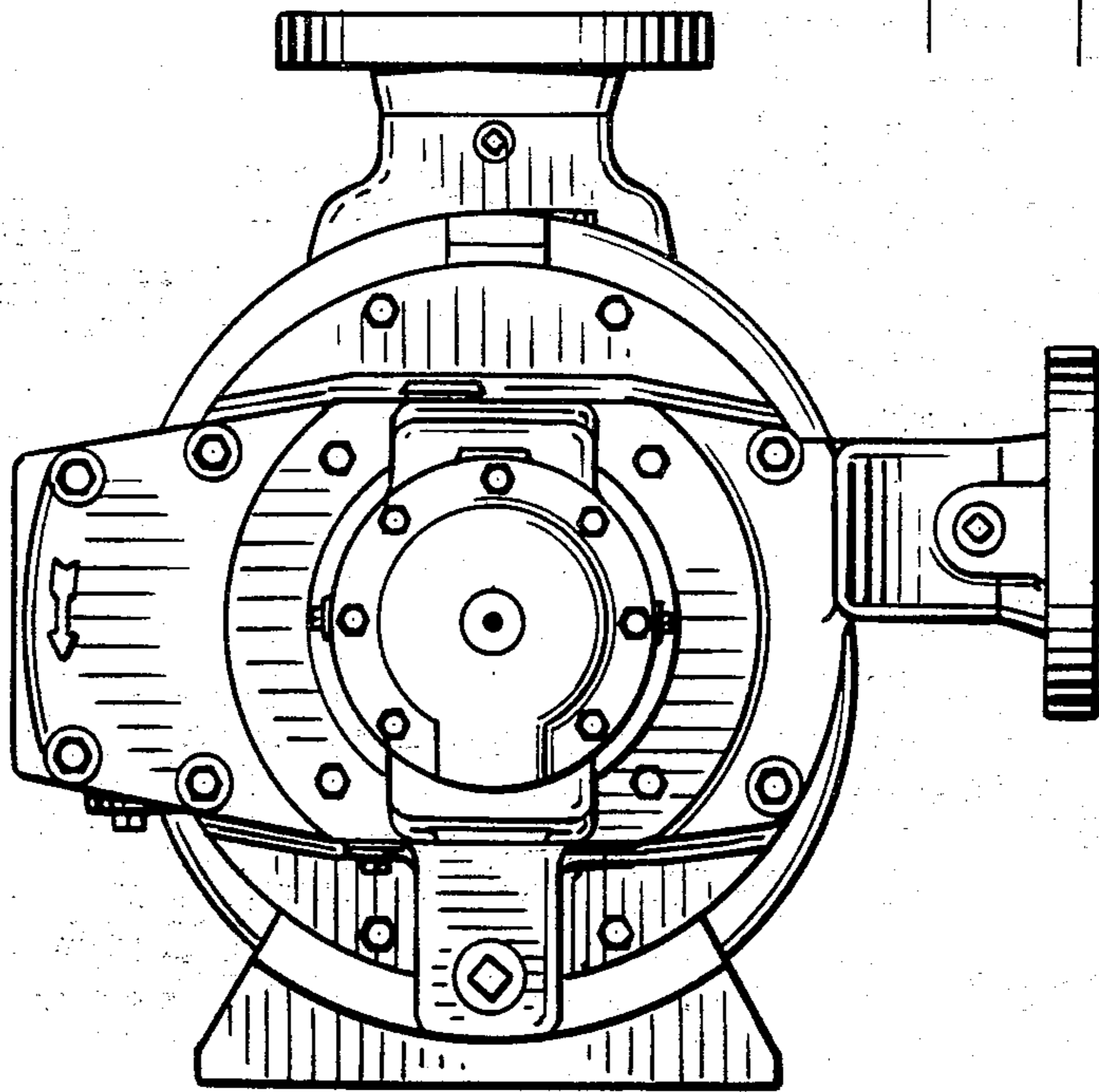


Fig. 4.

Fig. 5.



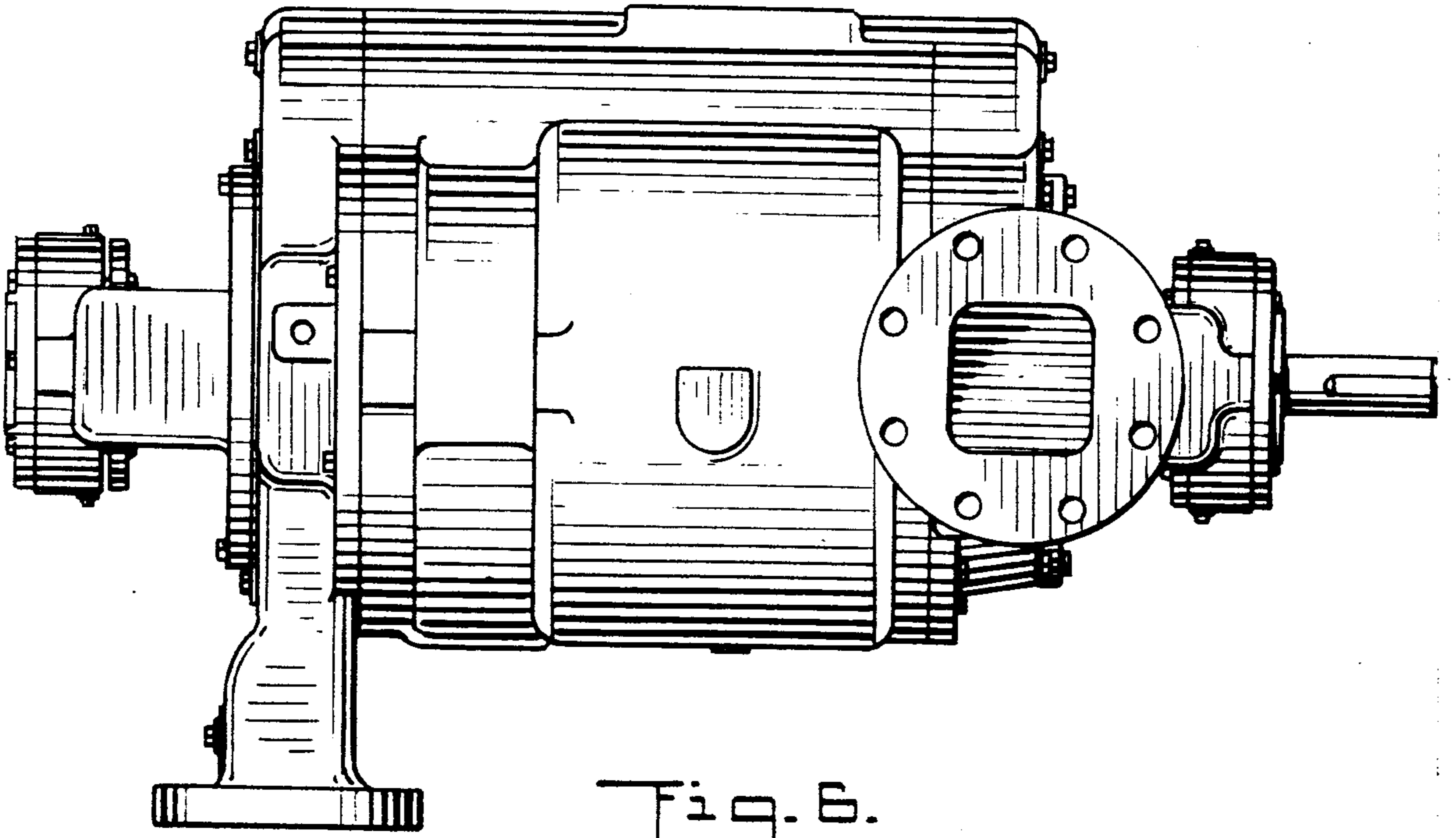


Fig. 6.

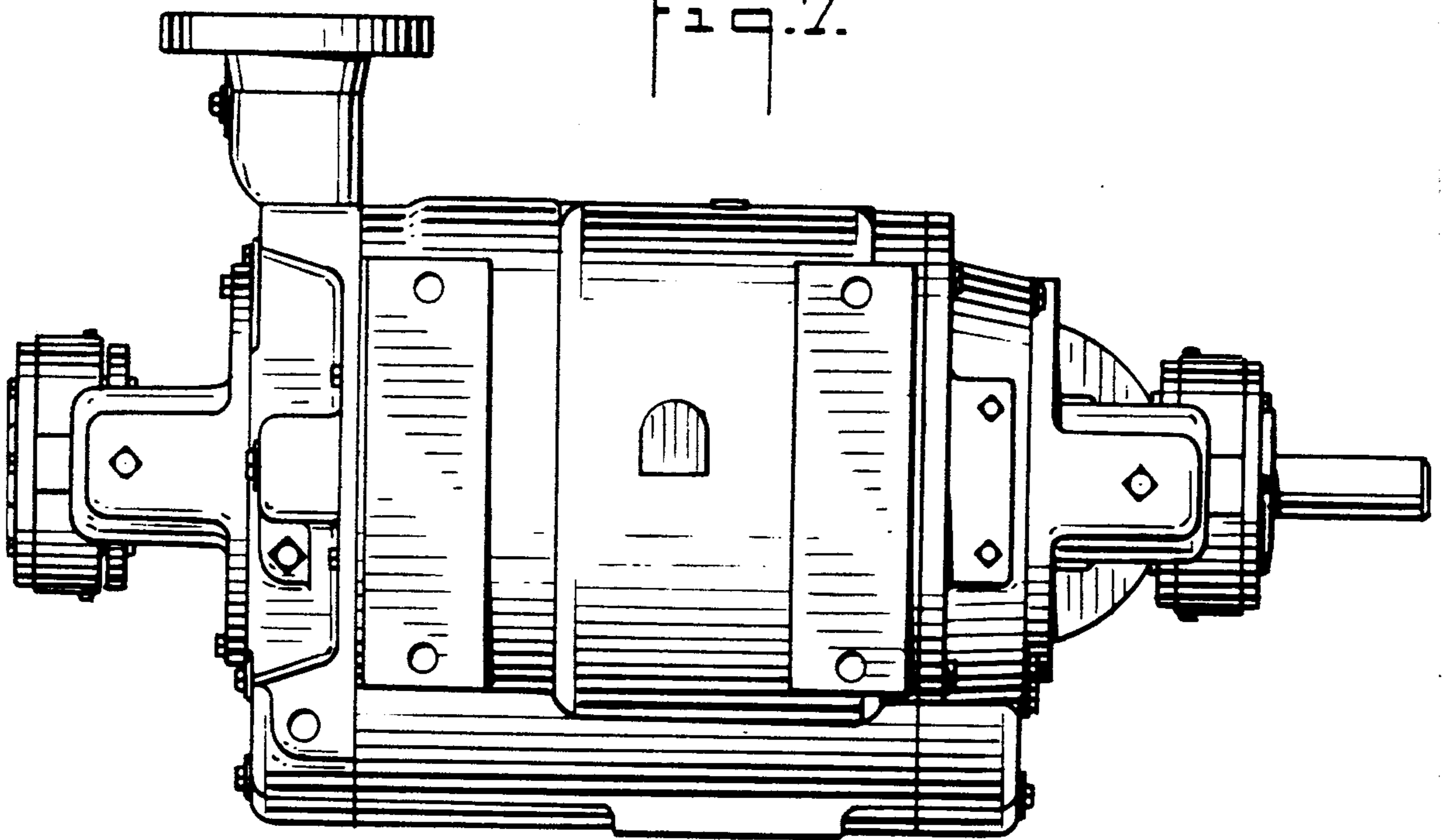


Fig. 7.