

[54] **WIND GENERATOR HOUSING**

[76] **Inventor: Robert Lachapelle, P.O. Box 259,  
Key Largo, Fla. 33172**

[\*\*] **Term: 14 Years**

[21] **Appl. No.: 601,925**

[22] **Filed: Apr. 19, 1984**

[52] **U.S. Cl. .... D15/1**

[58] **Field of Search ..... D15/5; 416/41 A, 9,  
416/17, 117, 119, 189 A, 132 B, 196 A, 197 A,  
142, 223, 228**

[56] **References Cited**

**U.S. PATENT DOCUMENTS**

D. 26,870	4/1897	Ziegler .....	D15/1
2,151,172	3/1939	Villarreal .....	416/9
2,784,556	3/1957	Perdue .....	416/9
4,159,191	6/1979	Graybill .....	416/189 A
4,355,955	10/1982	Kisovec .....	416/132 B

4,360,315 11/1982 Olson ..... 416/132 B

*Primary Examiner*—Wallace R. Burke  
*Assistant Examiner*—Brian N. Vinson  
*Attorney, Agent, or Firm*—Robert J. Van Der Wall

[57] **CLAIM**

The ornamental design for a wind generator housing, substantially as shown and described.

**DESCRIPTION**

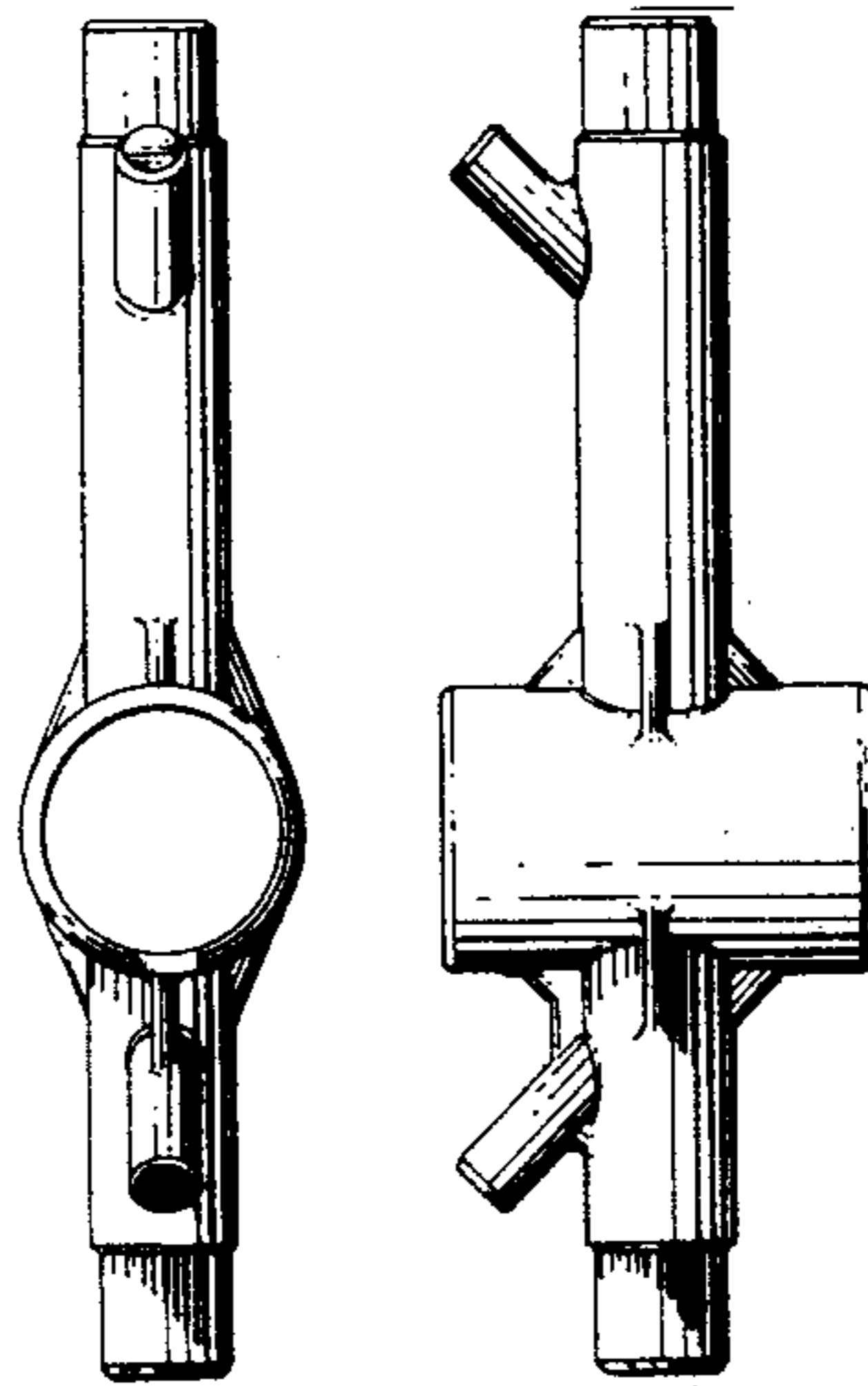
FIG. 1 is a side elevation view of a wind generator housing showing my new design;

FIG. 2 is a rear elevation view of the wind generator housing in FIG. 1;

FIG. 3 is a front elevation view of the wind generator housing of FIGS. 1 and 2;

FIG. 4 is a top plan view of the wind generator housing of FIGS. 1-3.

FIG. 5 is a bottom plan view of the wind generator housing of FIGS. 1-4.



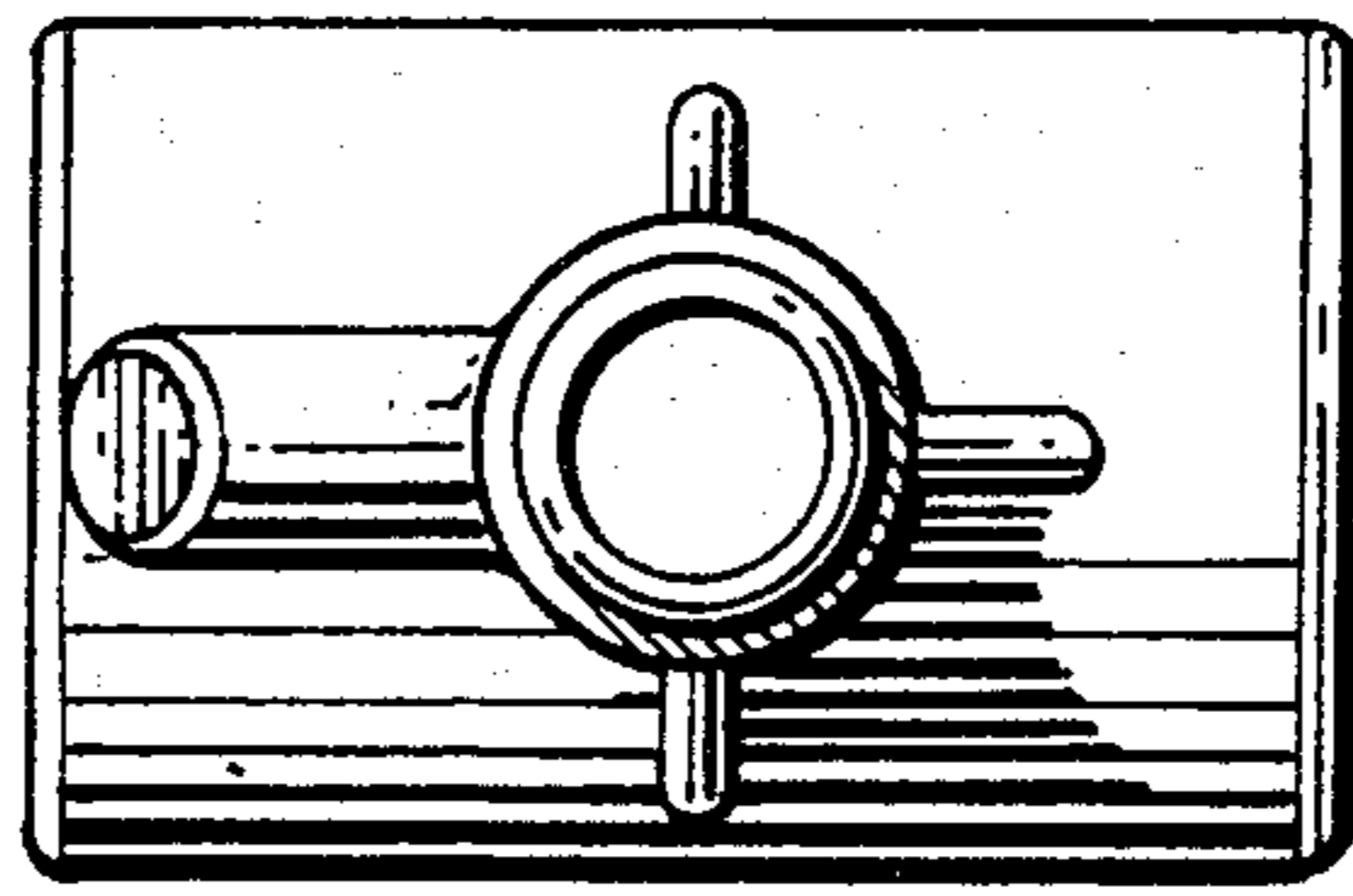


FIG. 4

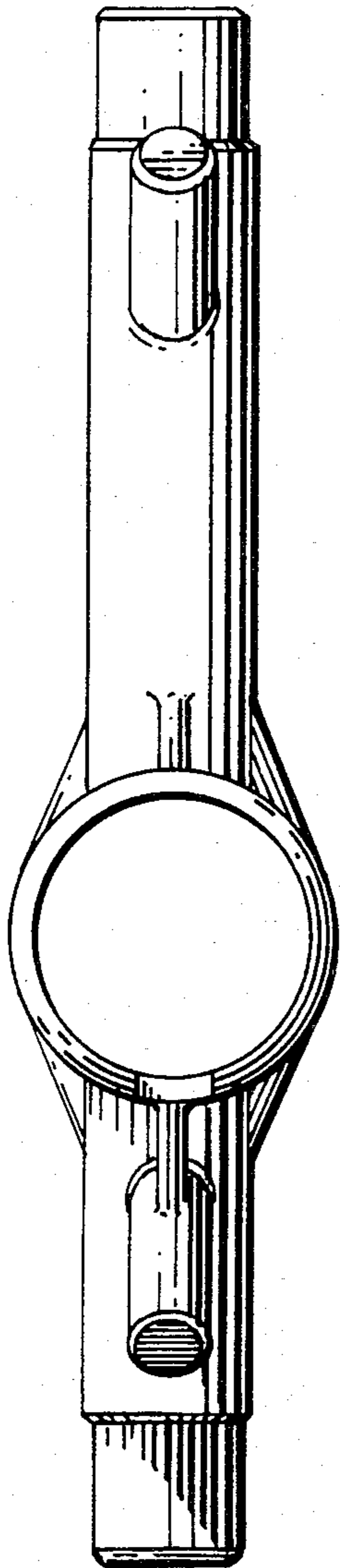


FIG. 2

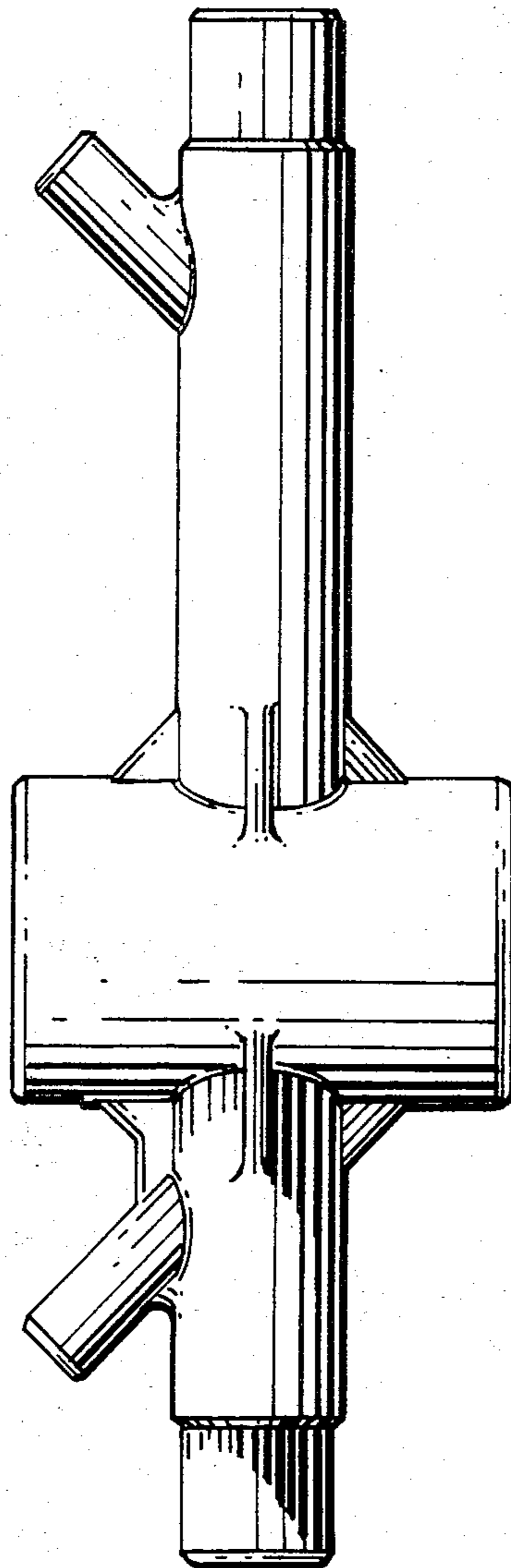


FIG. 1

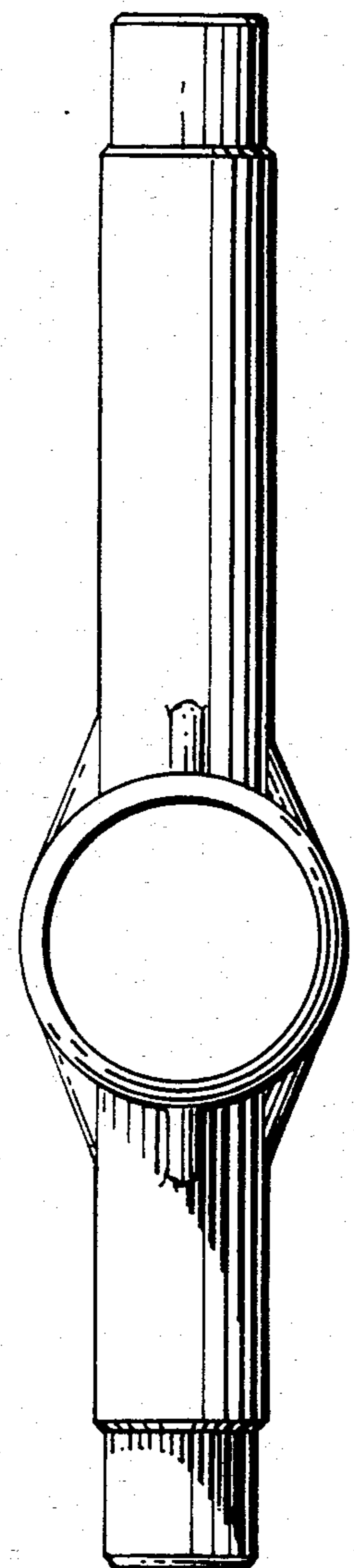


FIG. 3

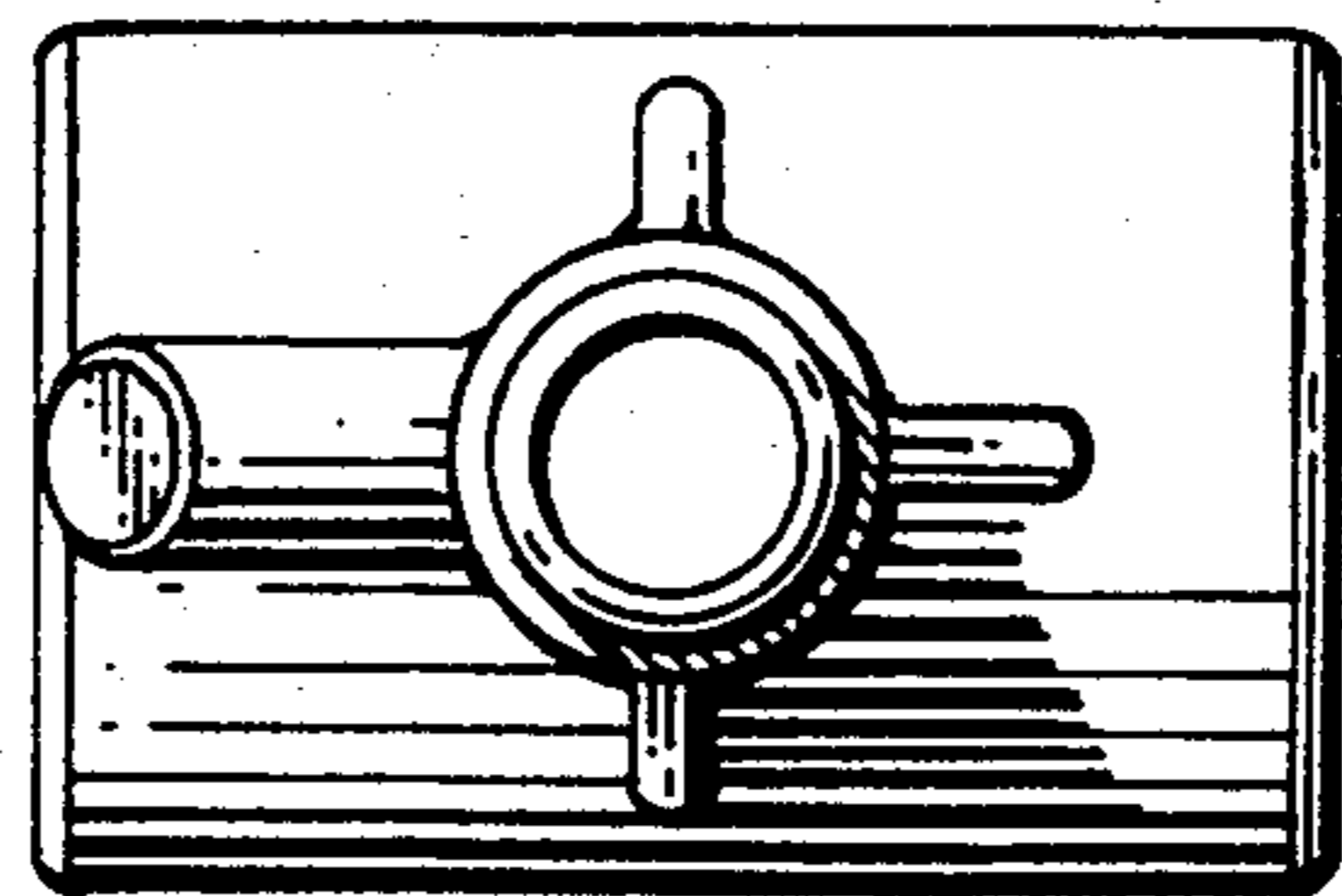


FIG. 5