

[54] **CURSOR FOR A GRAPHICS TABLET**

[75] **Inventors:** Arnold M. Davis, Bloomington; Samuel A. Lucente, Glenford, both of N.Y.

[73] **Assignee:** International Business Machines Corporation, Armonk, N.Y.

[**] **Term:** 14 Years

[21] **Appl. No.:** 562,022

[22] **Filed:** Dec. 19, 1983

[52] **U.S. Cl.** D14/114

[58] **Field of Search** D14/100, 106, 107, 114; 340/365 R, 706, 709, 710; 178/18, 19; 273/148 B

[56] **References Cited**

U.S. PATENT DOCUMENTS

D. 261,274 10/1981 Gobeli D18/7

FOREIGN PATENT DOCUMENTS

2032152 4/1980 United Kingdom 178/18

OTHER PUBLICATIONS

Computer Design, 6-1980, p. 143, Talos Systems, Inc. Cursor.

Fundamentals of Interactive Computer Graphics, Foley & Van Dam, 1982 pp. 24, 25, 128, 129, 184, 185--Cursors.

Computer Graphics World, 4-1983, p. 18, Cursor.

Computer Graphics World, 10-1983, Cursor.

Computer Graphics World, 10-1983, p. 64, Cursor.

Computer Graphics World, 11-1983, Cursors & Tablets.

Computer Graphics World, 12-1983, Cursor and Tablet.

Primary Examiner—Susan J. Lucas

Attorney, Agent, or Firm—George E. Clark; Edwin Lester

[57] **CLAIM**

The ornamental design for a cursor for a graphics tablet, substantially as shown and described.

DESCRIPTION

FIG. 1 is a rear, top and left-side perspective view of a cursor for a graphics tablet showing our new design; FIG. 2 is a front, top and right-side perspective view thereof;

FIGS. 3-6 are respectively, right-side left top-side, top and bottom orthographic views thereof and an enlarged scale.

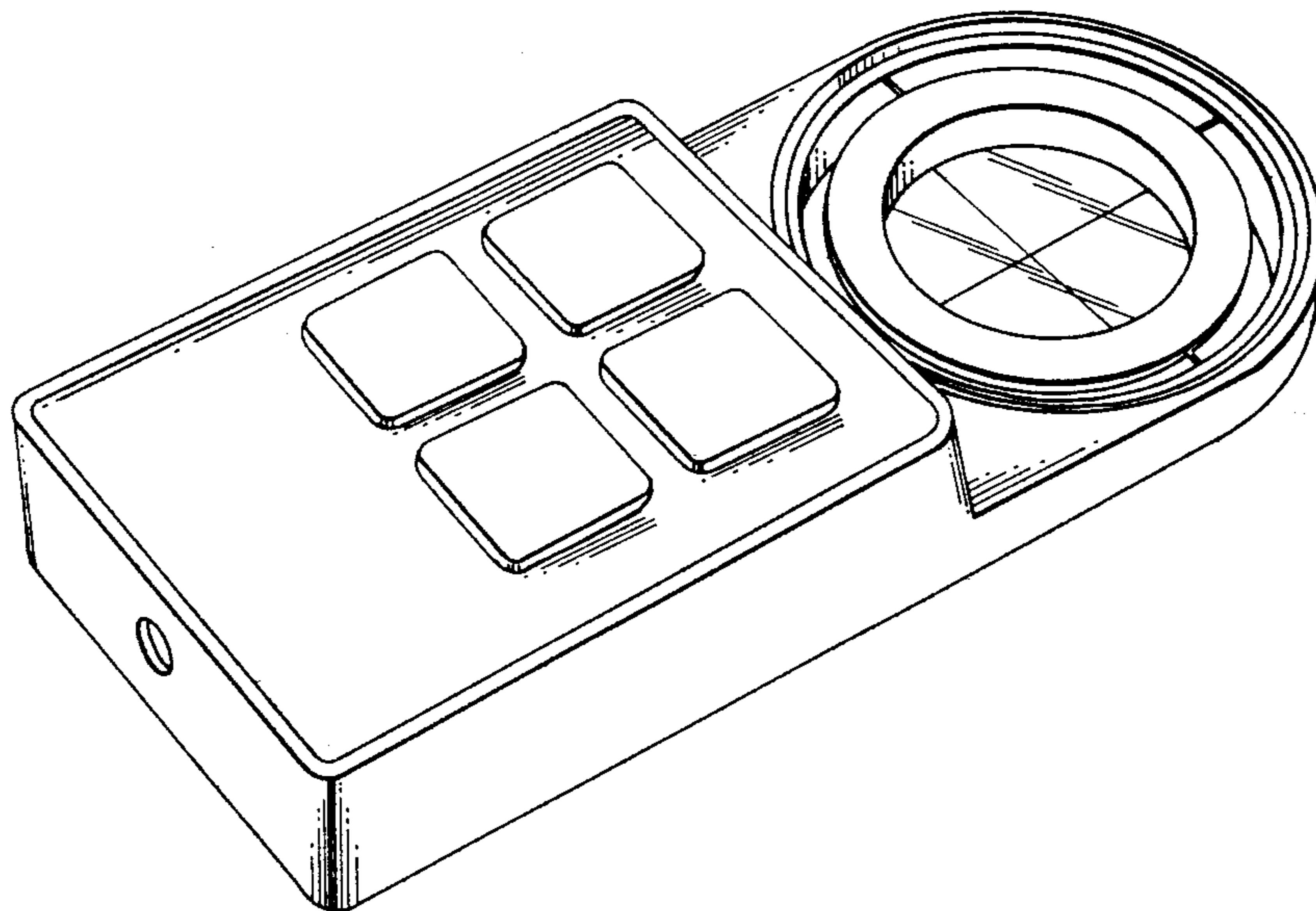
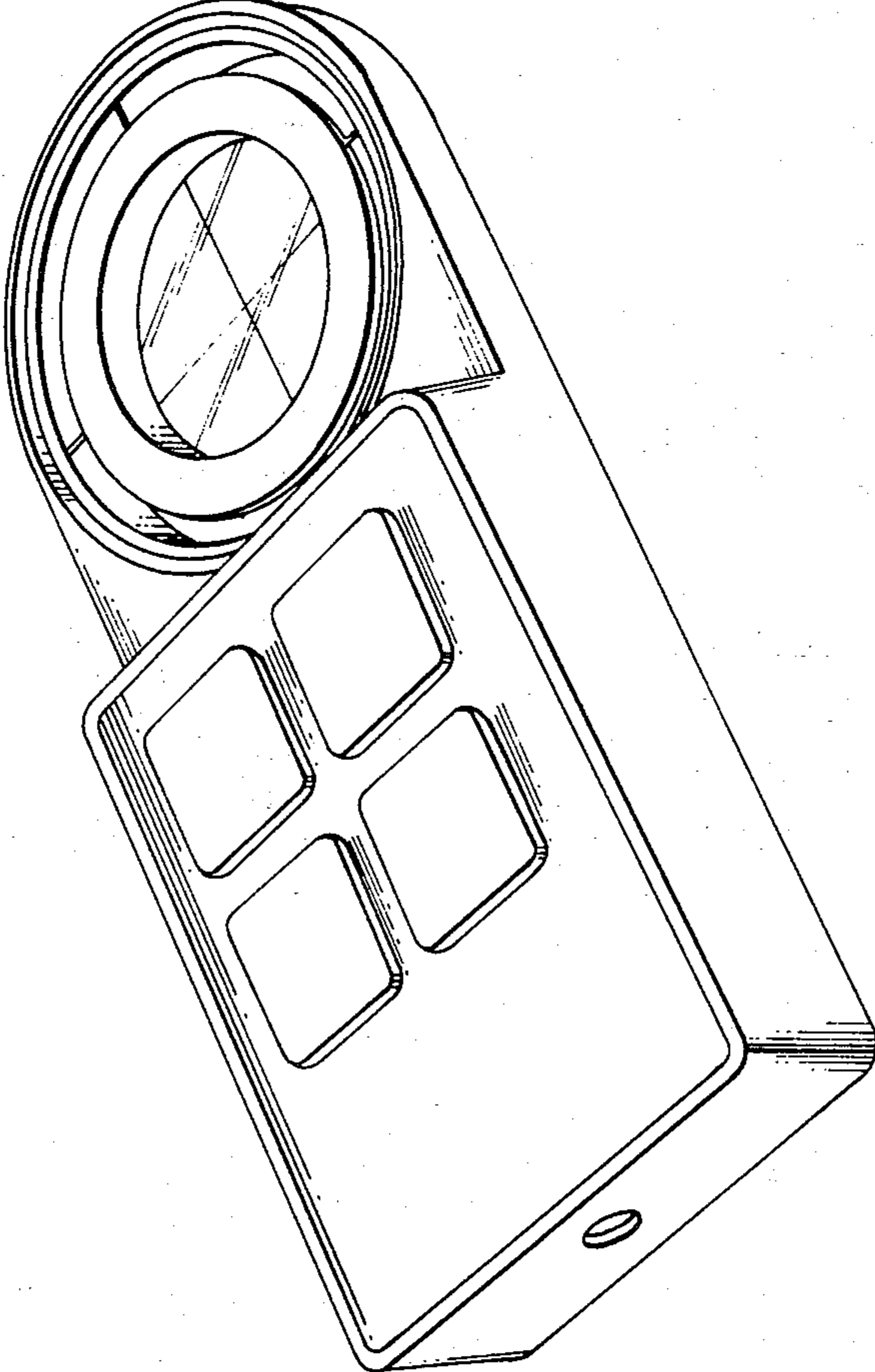


FIG. 1



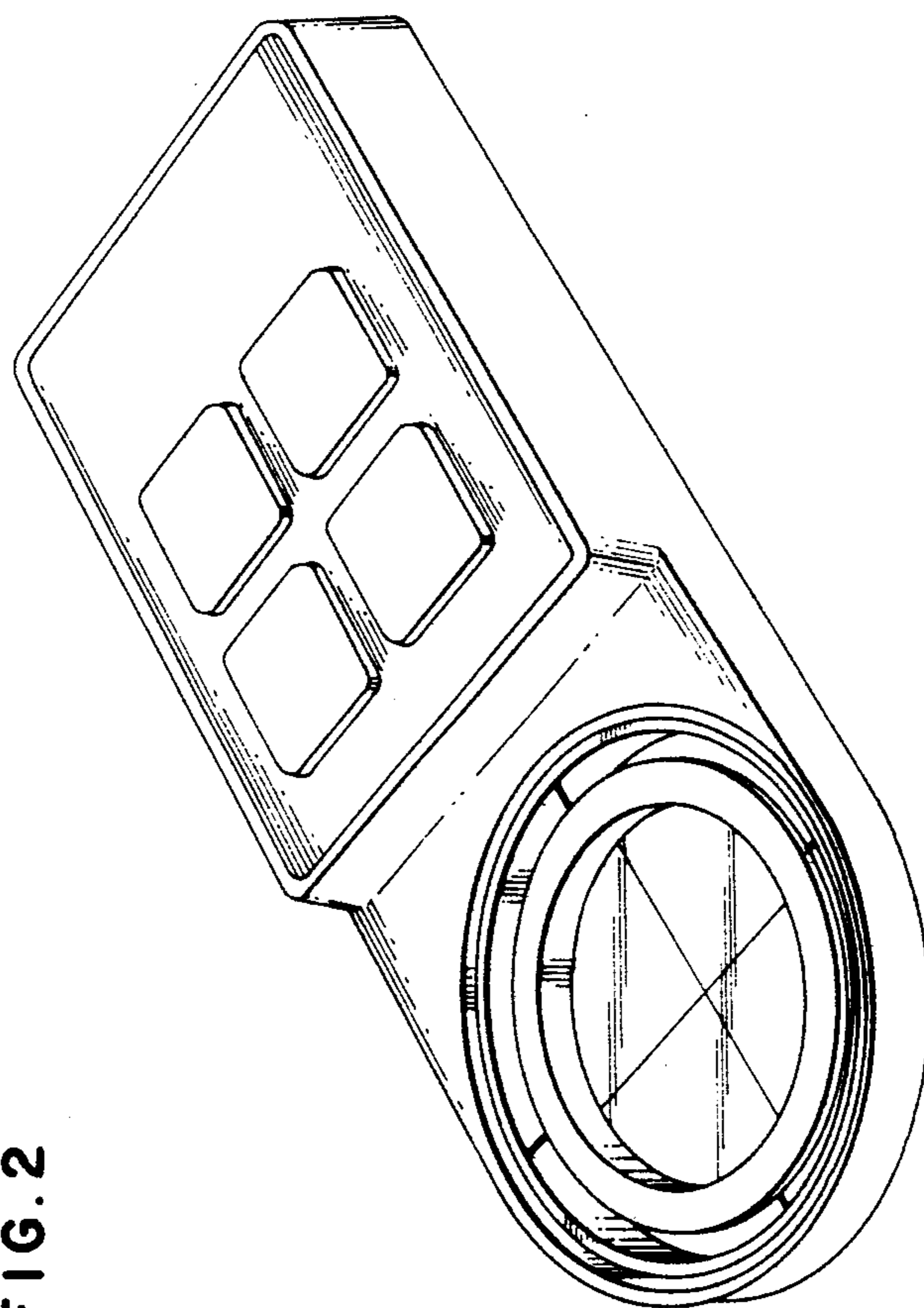


FIG. 2

FIG. 3

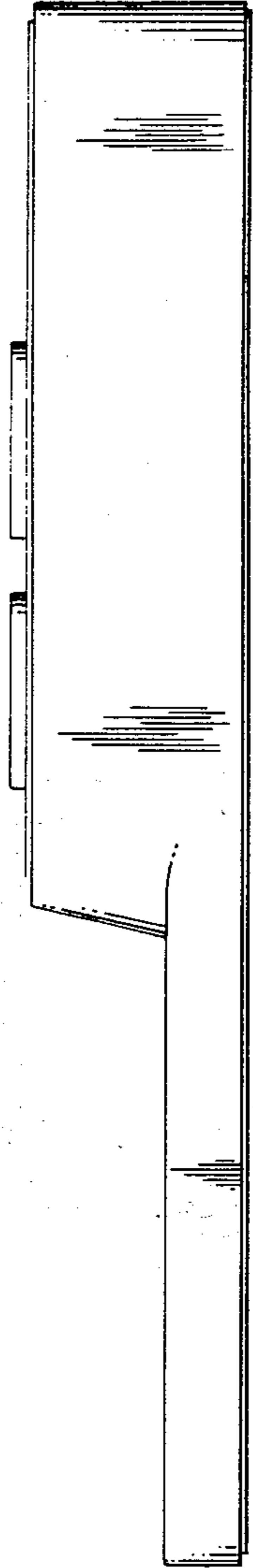


FIG. 4

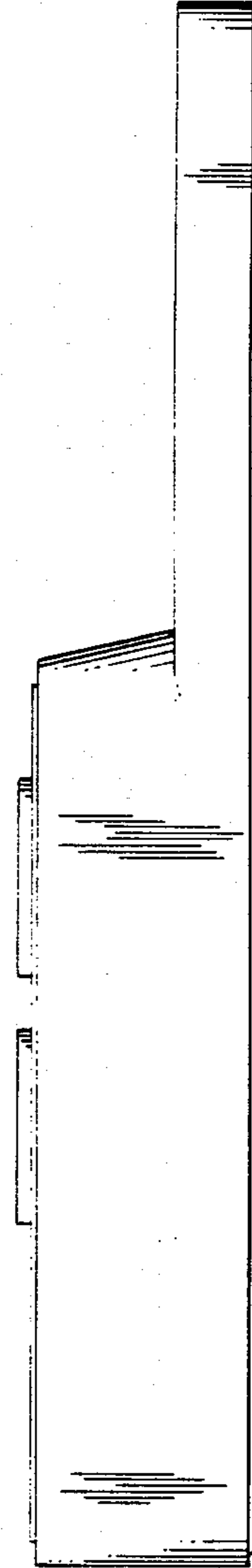


FIG. 5

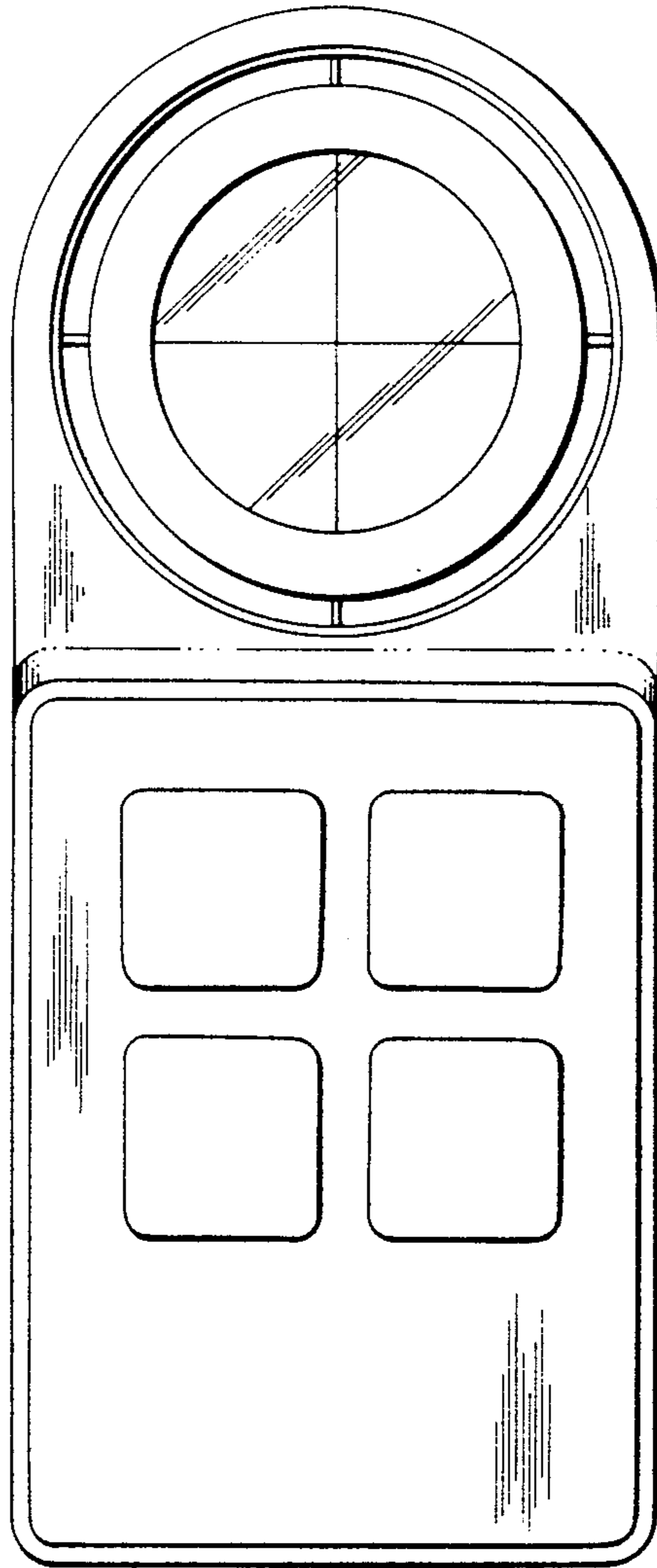


FIG. 6

