

[54] TELEPHONE SET BASE

[75] Inventor: Robert B. Isaacs, Ottawa, Canada

[73] Assignee: Northern Telecom Limited, Montreal, Canada

[**] Term: 14 Years

[21] Appl. No.: 586,445

[22] Filed: Mar. 5, 1984

[52] U.S. Cl. D14/60; D14/62

[58] Field of Search D14/53, 59, 60, 32, D14/38, 107, 108, 114, 115, 62, 58, 100; 179/179, 100 R, 100 D, 100 C, 100 L, 101, 103, 102

[56] References Cited

U.S. PATENT DOCUMENTS

- D. 227,260 6/1973 Clayton et al.: D14/108
- D. 229,315 11/1973 Scott D14/114
- D. 244,468 5/1977 Büchlin D14/57
- D. 246,584 12/1977 Bhat et al. D14/57
- D. 253,594 12/1979 Antenbring D14/114
- D. 262,287 12/1981 Urbanus et al. D14/100
- D. 263,047 2/1982 Trussler D14/60
- D. 263,957 4/1982 Pemberton D14/107
- D. 264,715 6/1982 Trussler D14/60
- D. 266,509 10/1982 Marshall D14/107
- D. 275,752 10/1984 Mahan D14/59
- D. 275,753 10/1984 Mahan D14/59
- D. 276,430 11/1984 Isaacs D14/60

- D. 277,665 2/1985 Genaro et al. D14/60
- D. 278,056 3/1985 Genaro et al. D14/60
- D. 280,403 9/1985 Mitchell D14/62
- D. 280,405 9/1985 Mitchell D14/62
- D. 280,506 9/1985 Mitchell D14/62
- 4,385,212 5/1983 Tyler 179/100 D
- 4,517,420 5/1985 Haskins 179/100 C

FOREIGN PATENT DOCUMENTS

2305488 8/1974 Fed. Rep. of Germany ... 179/100 L

OTHER PUBLICATIONS

Northern Telecom, Convention Flyer, 9-1977; SL-1 Station Set.

Primary Examiner—Wallace R. Burke

Assistant Examiner—Horace B. Fay

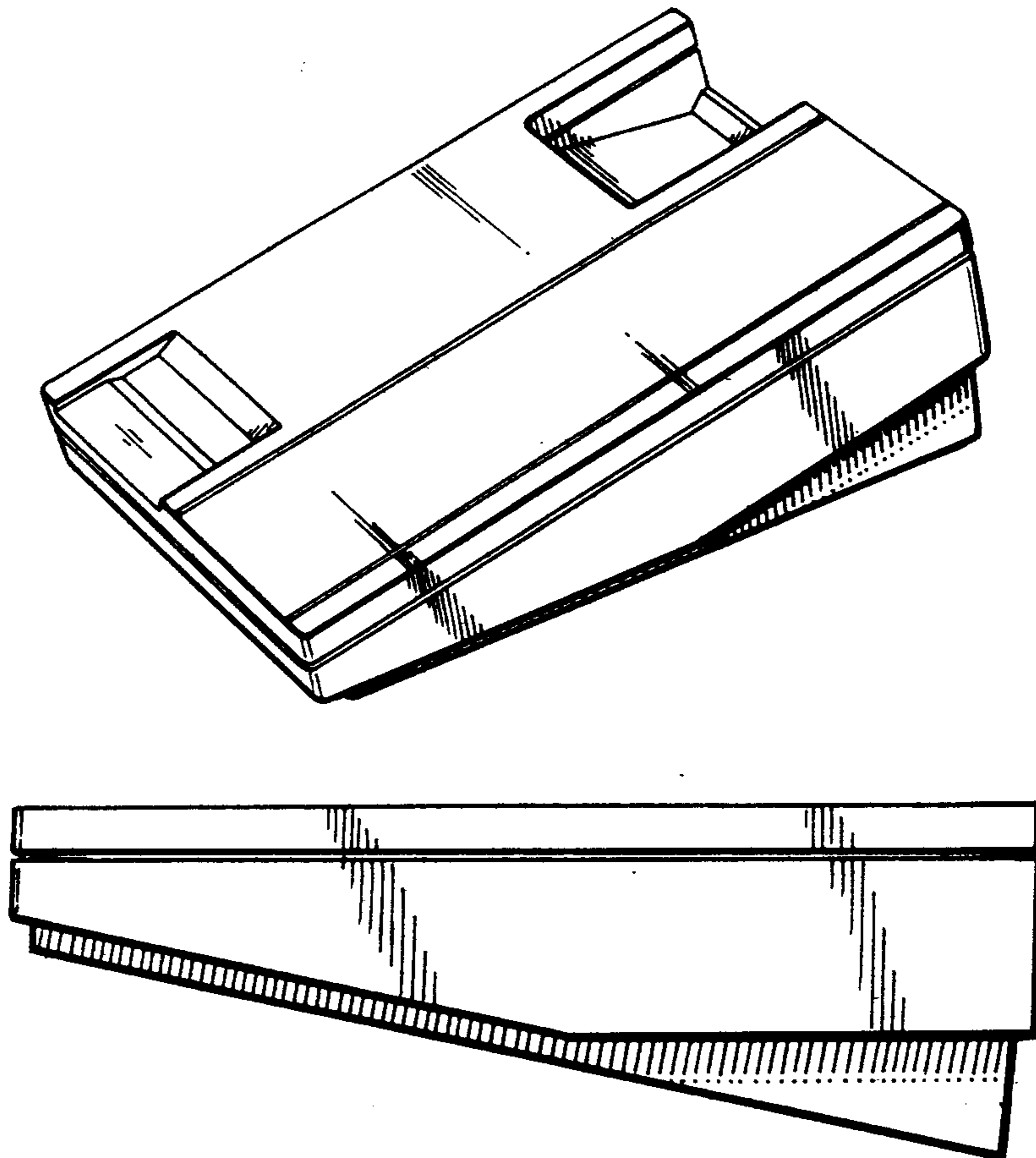
Attorney, Agent, or Firm—Sidney T. Jelly

[57] CLAIM

The ornamental design for a telephone set base, substantially as shown and described.

DESCRIPTION

FIG. 1 is a front, top and right side perspective view of a telephone set base showing my new design; FIG. 2 is a top plan view; FIGS. 3 and 4 are respectively front and rear elevational views; FIG. 5 is a right side elevational view; and FIG. 6 is a bottom plan view.



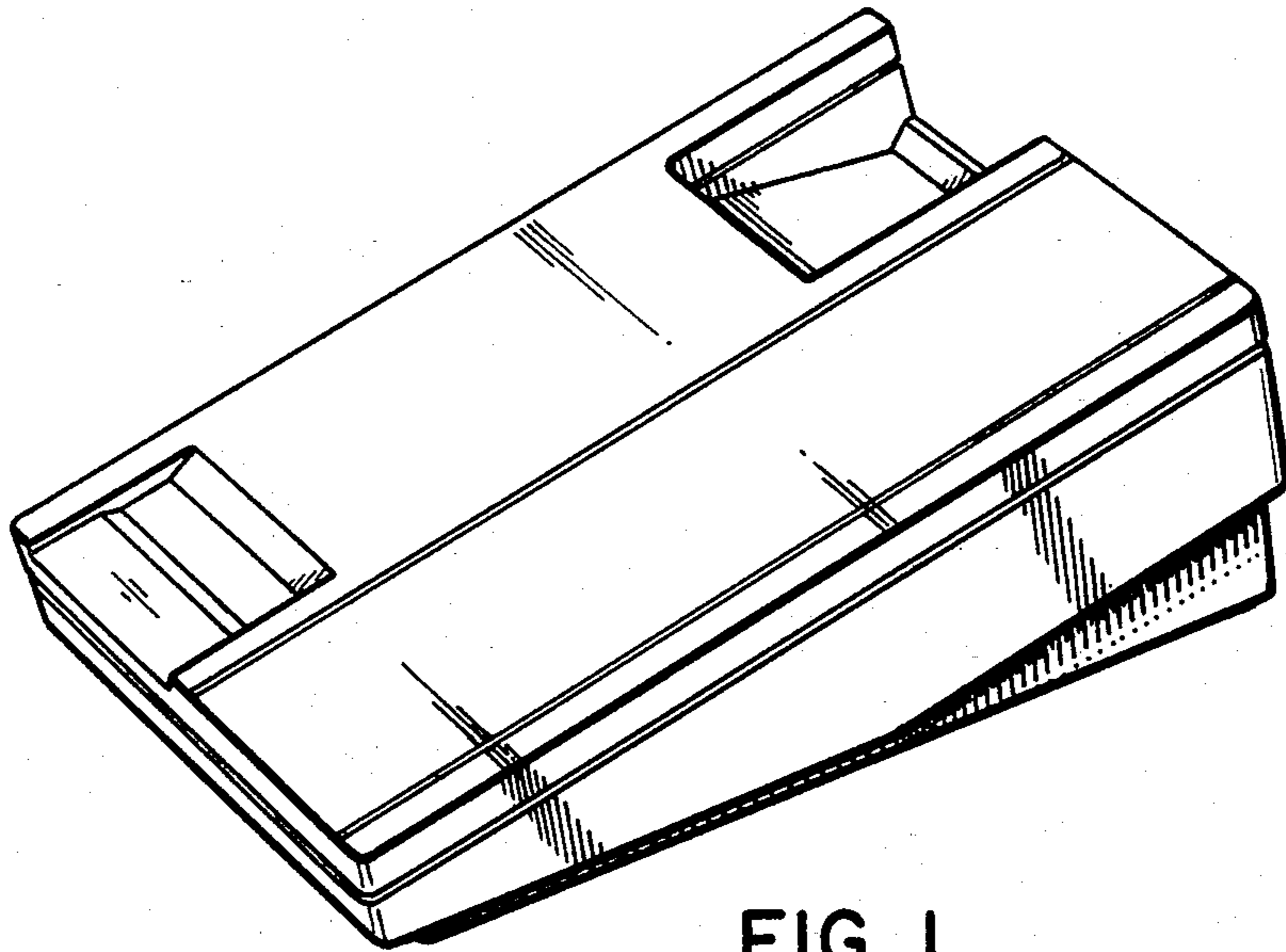


FIG. 1

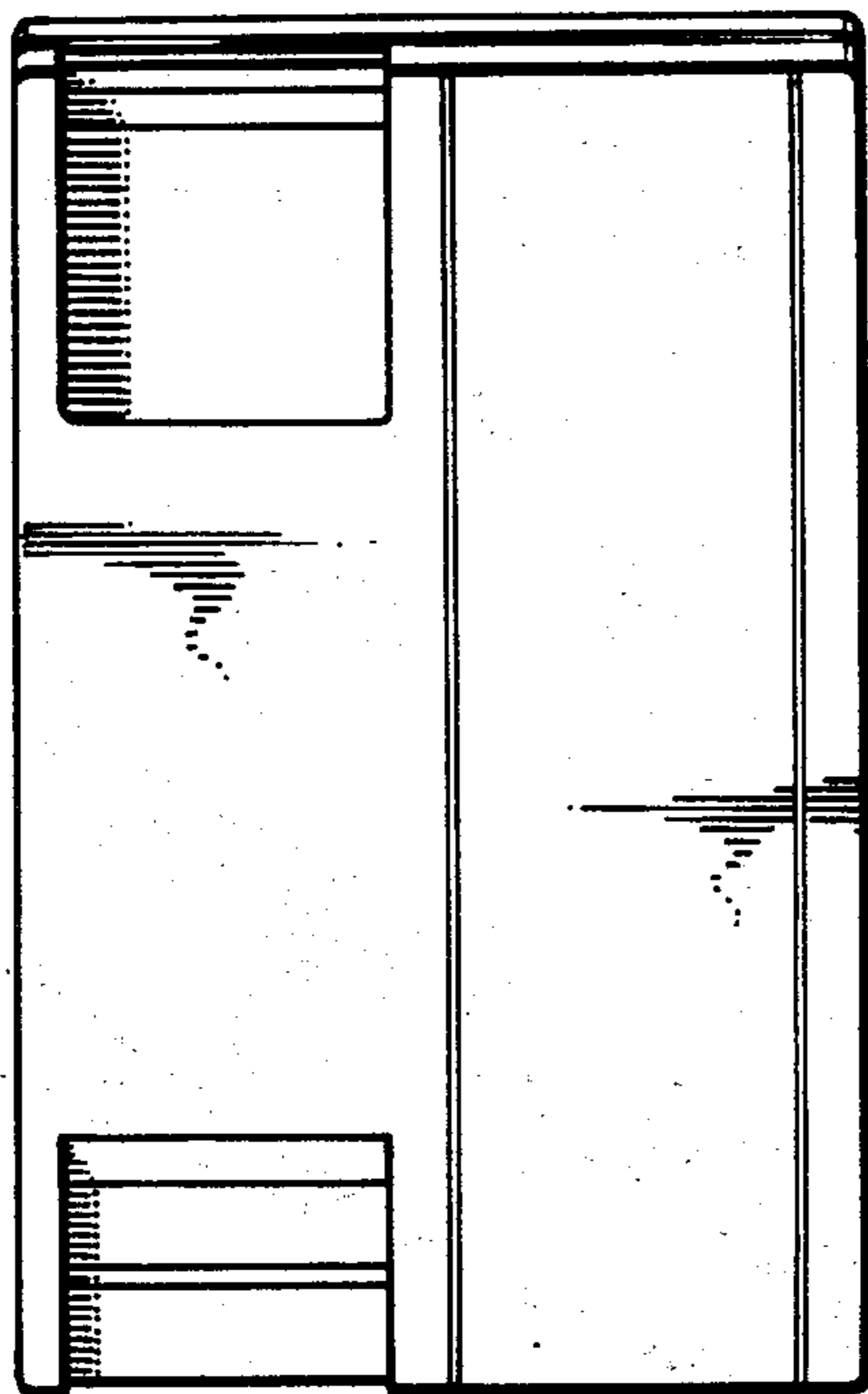


FIG. 2

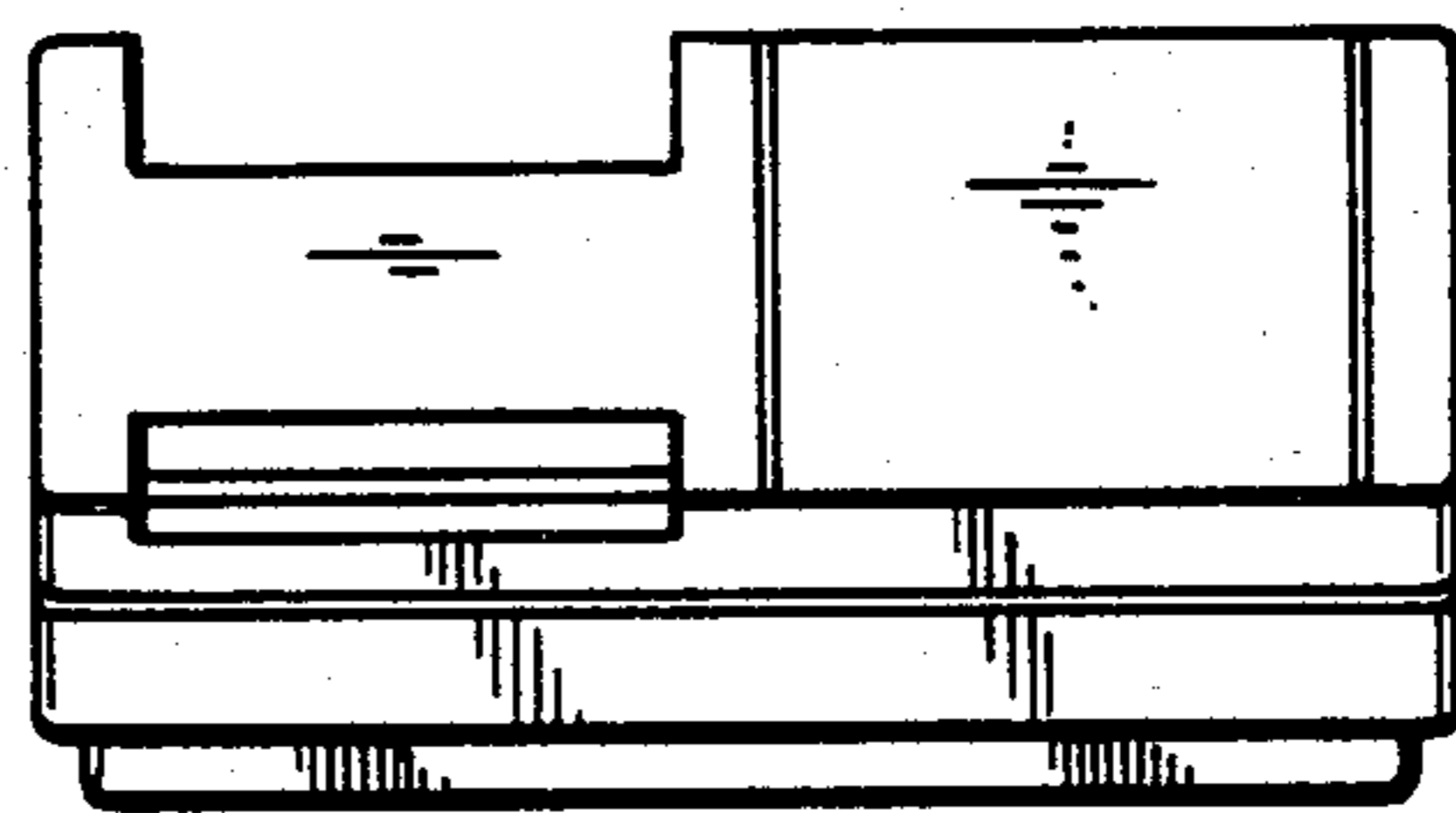


FIG. 3

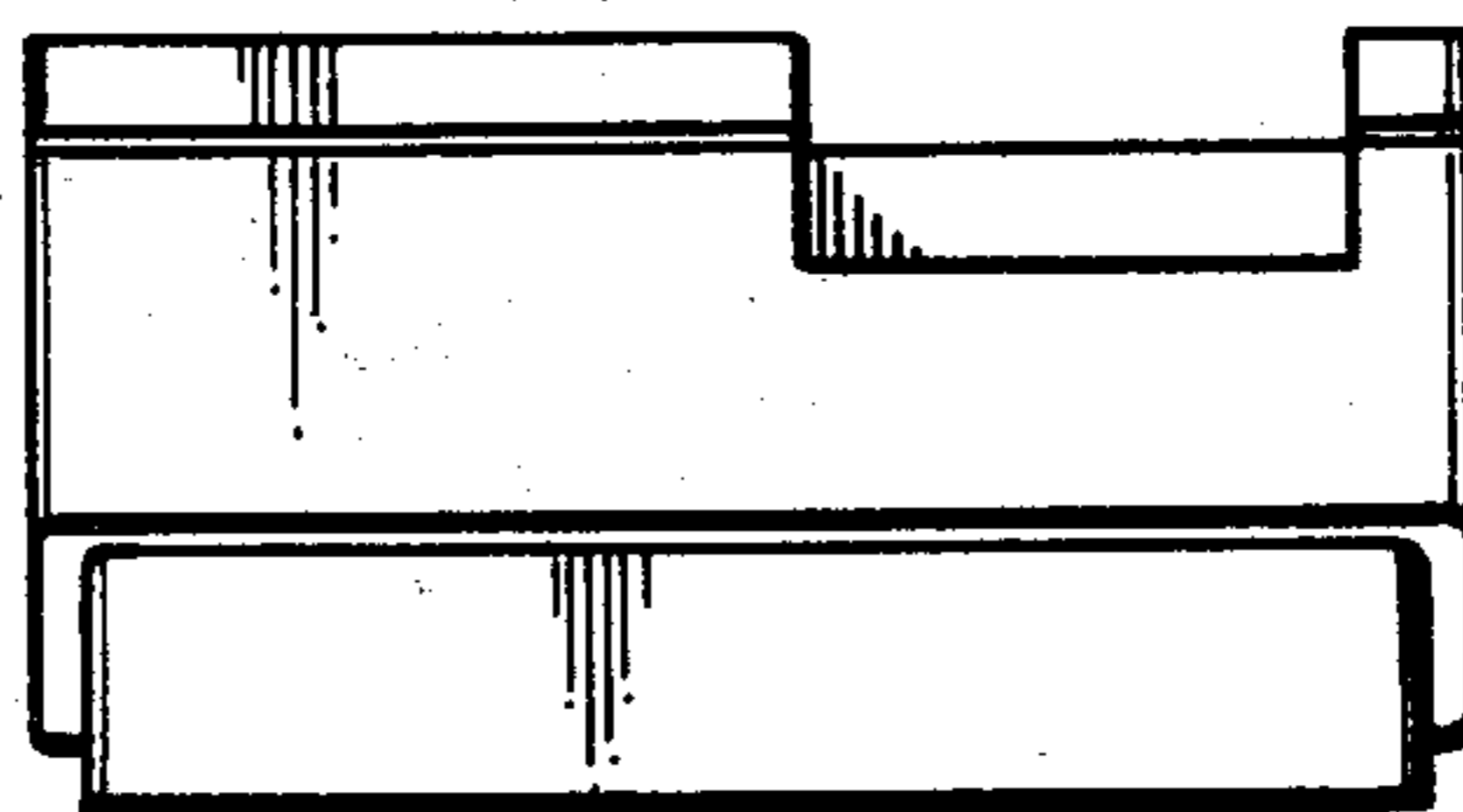


FIG. 4

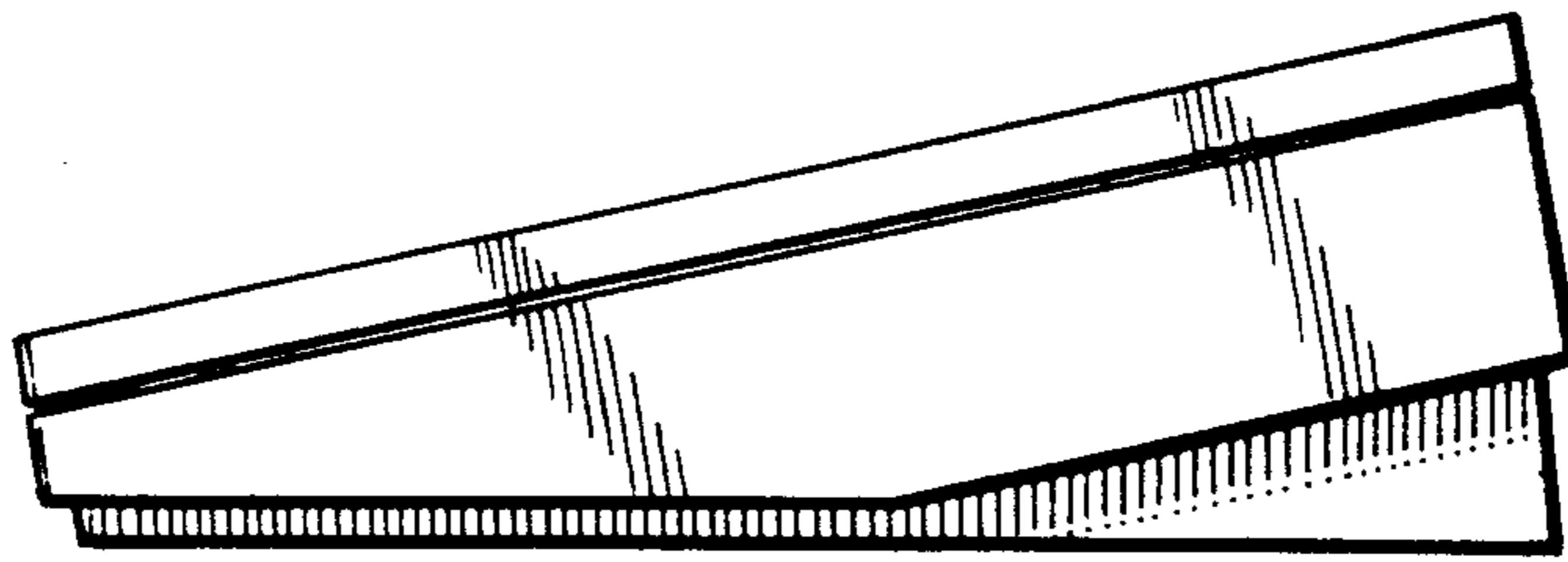


FIG. 5

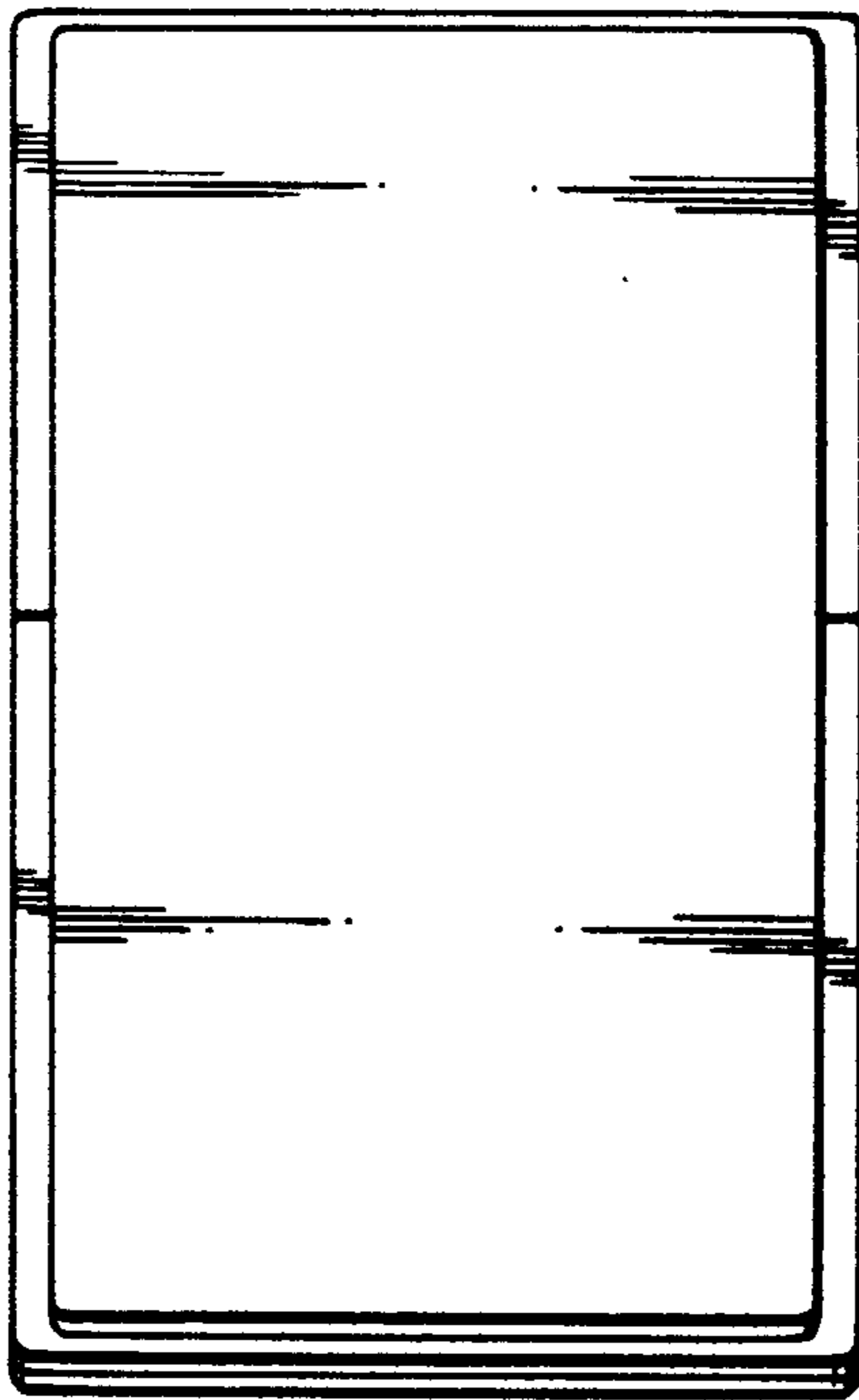


FIG. 6