

[54] **REAR PANNIER RACK FOR BICYCLES**

[75] Inventors: **James R. Blackburn**, Los Gatos;
James J. Gentes, San Jose, both of
Calif.

[73] Assignee: **Jim Blackburn Designs, Inc.**,
Campbell, Calif.

[**] Term: **14 Years**

[21] Appl. No.: **613,562**

[22] Filed: **May 24, 1984**

[52] U.S. Cl. **D12/158**

[58] Field of Search **D12/158; 224/32 A, 39**

[56] **References Cited**

U.S. PATENT DOCUMENTS

D. 276,991 1/1985 Blackburn D12/158

Primary Examiner—James M. Gandy

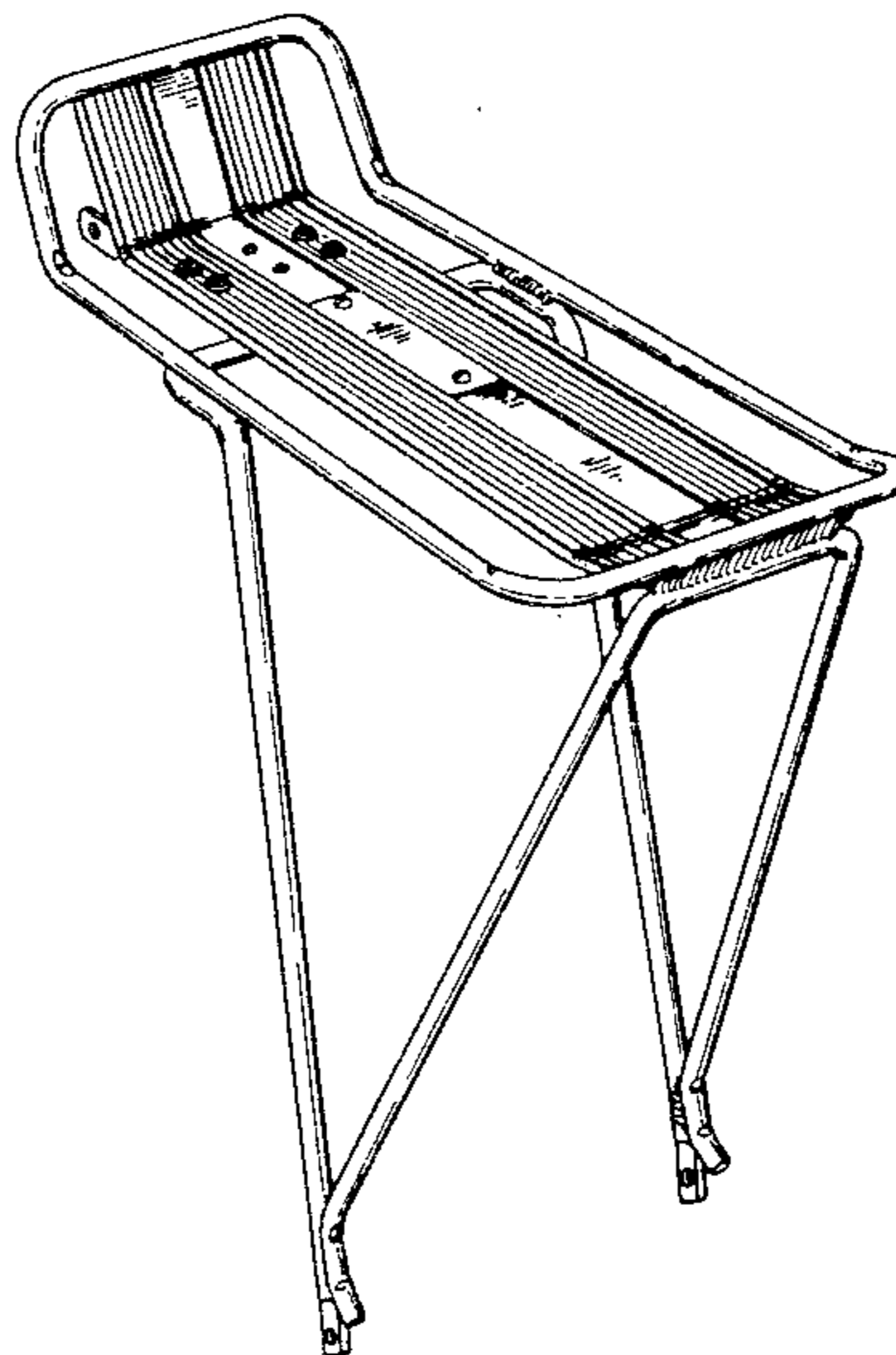
Attorney, Agent, or Firm—Hamrick, Hoffman, Guillot &
Kazubowski

[57] **CLAIM**

The ornamental design for a rear pannier rack for bicycles, as shown and described.

DESCRIPTION

FIG. 1 is a perspective view illustrating a rear pannier rack for bicycles in accordance with our new design; FIG. 2 is a front elevational view thereof; FIG. 3 is a side elevational view thereof; FIG. 4 is a rear elevational view thereof; FIG. 5 is a bottom plan view thereof with the struts broken away taken along the line 5—5 of FIG. 4; FIG. 6 is a front elevational view of a rear pannier rack for bicycles showing a second embodiment of our new design with the struts broken away for ease of illustration, it being understood that the sole difference resides in the shape and use of a single bracket; FIG. 7 is a fragmentary side elevational view, partially in section of the embodiment of FIG. 6; FIG. 8 is a top plan view of FIG. 7; and FIG. 9 is a bottom plan view of FIG. 7.



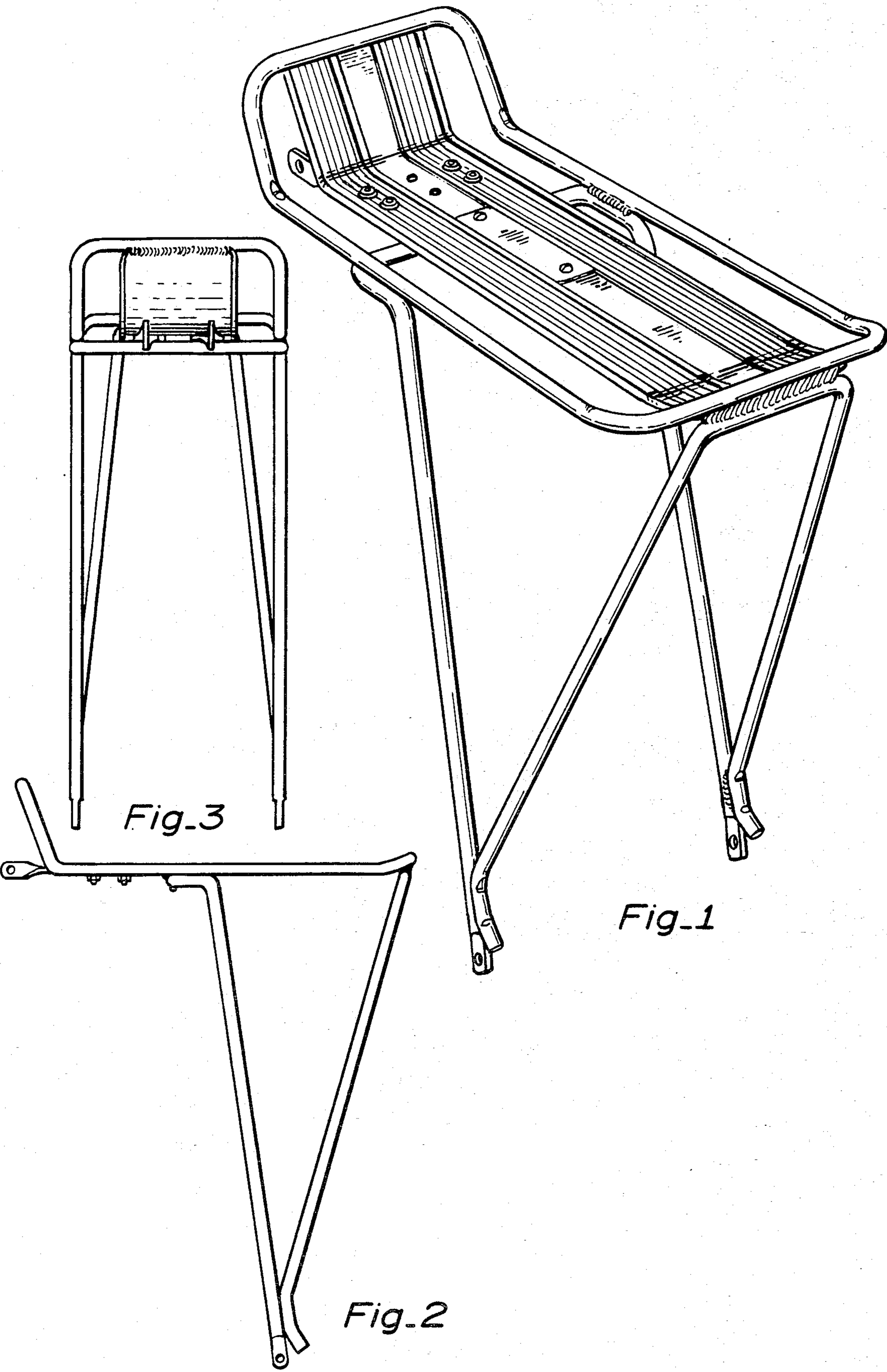


Fig. 3

Fig. 1

Fig. 2

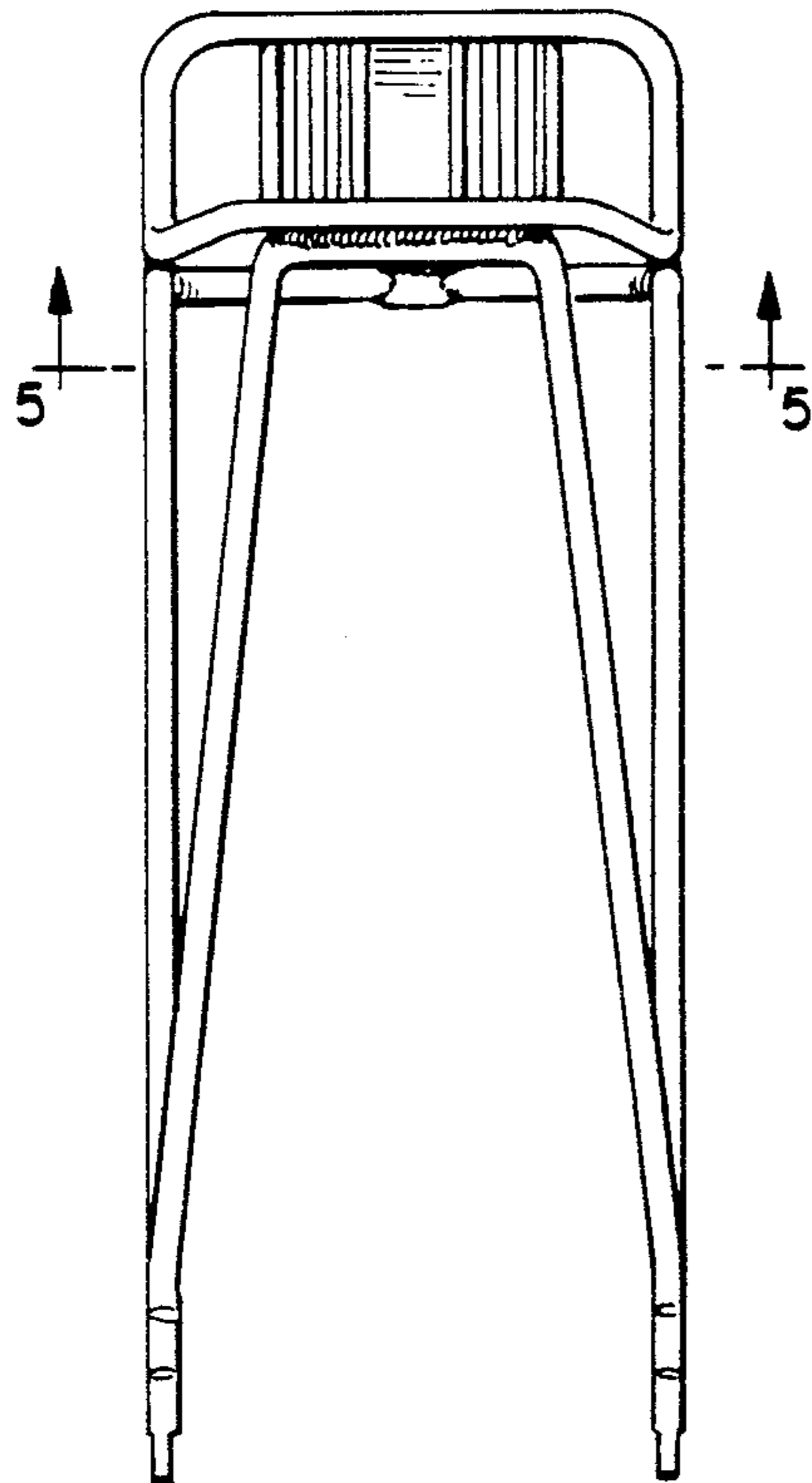


Fig. 4

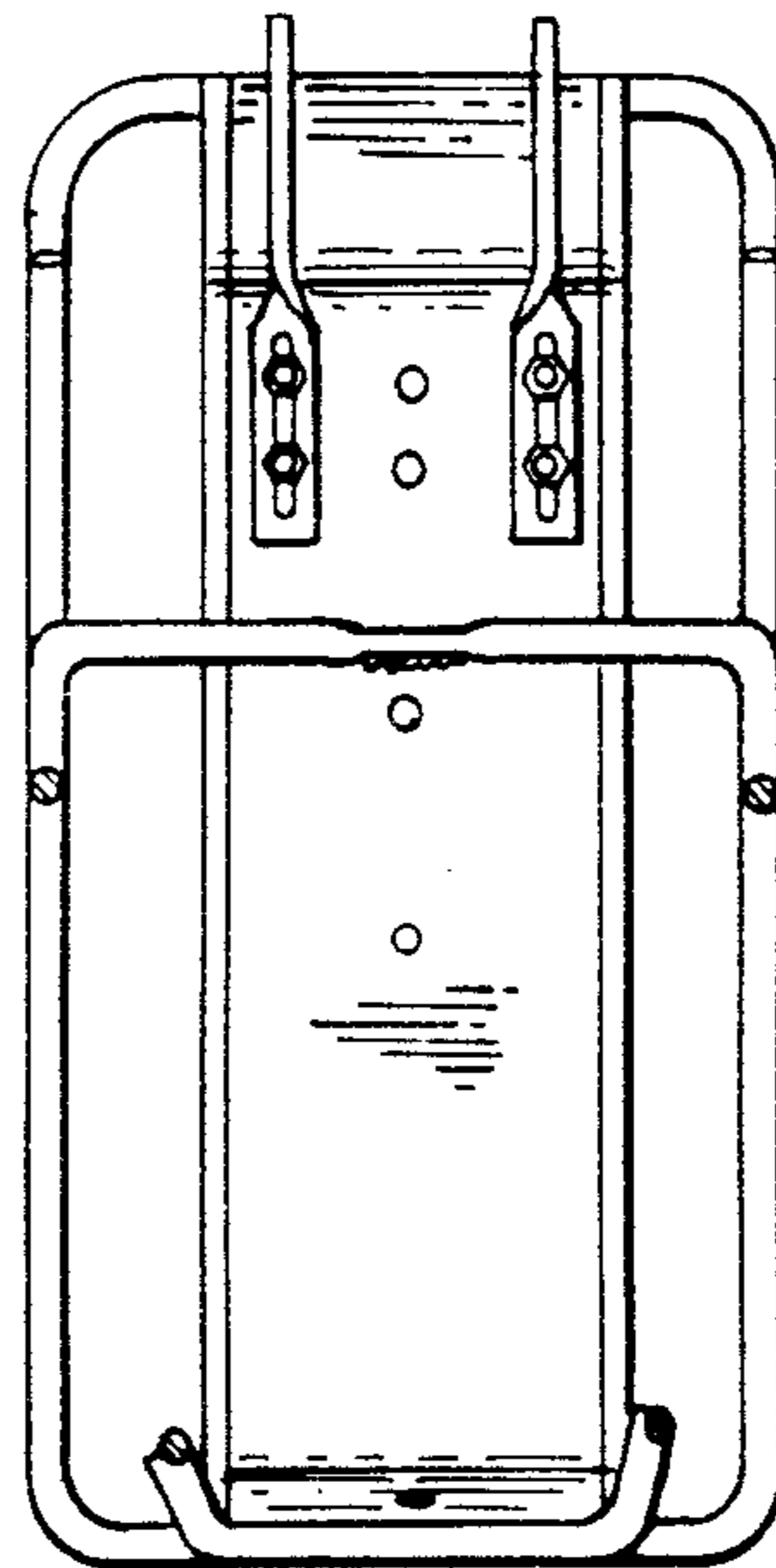


Fig. 5

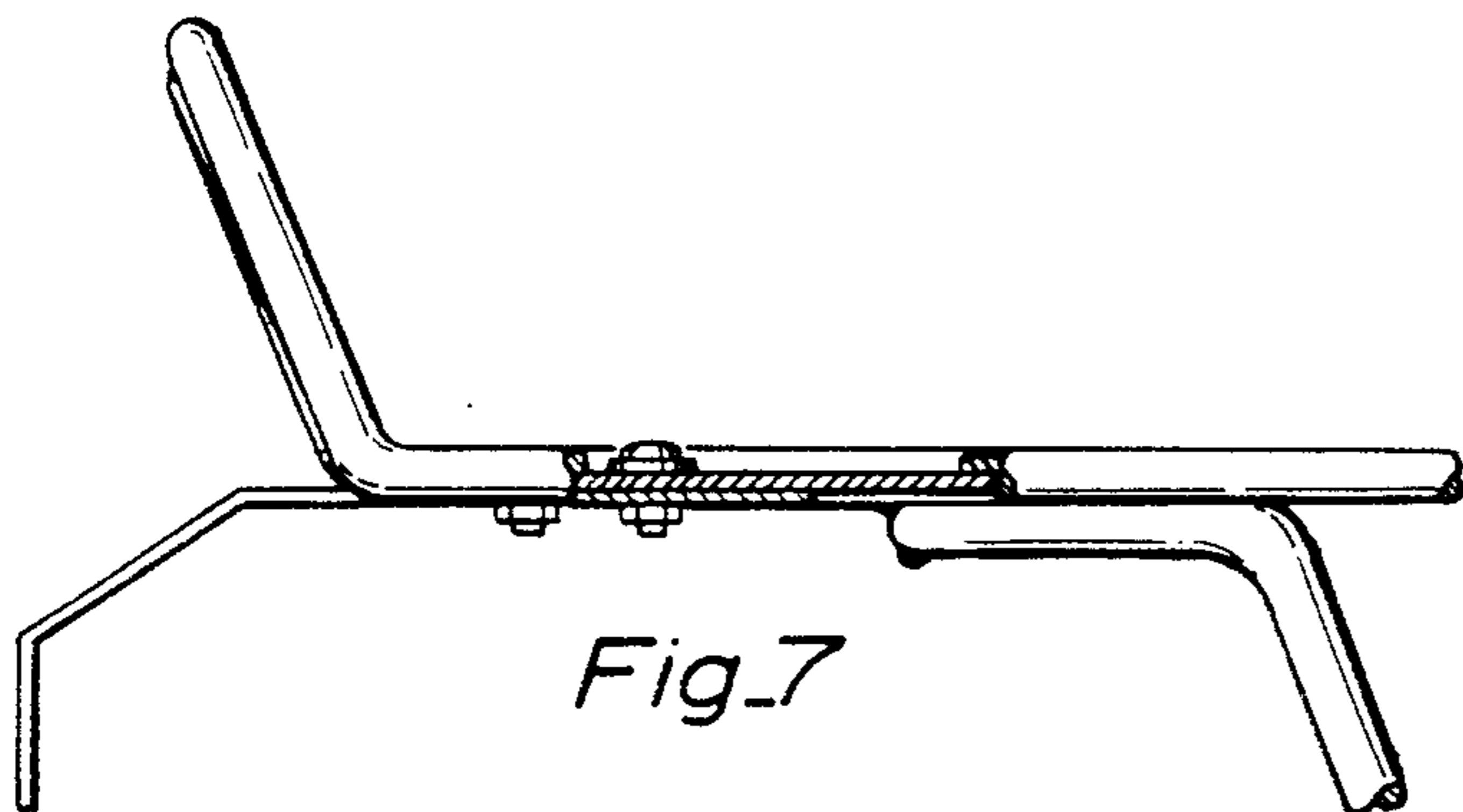


Fig. 7

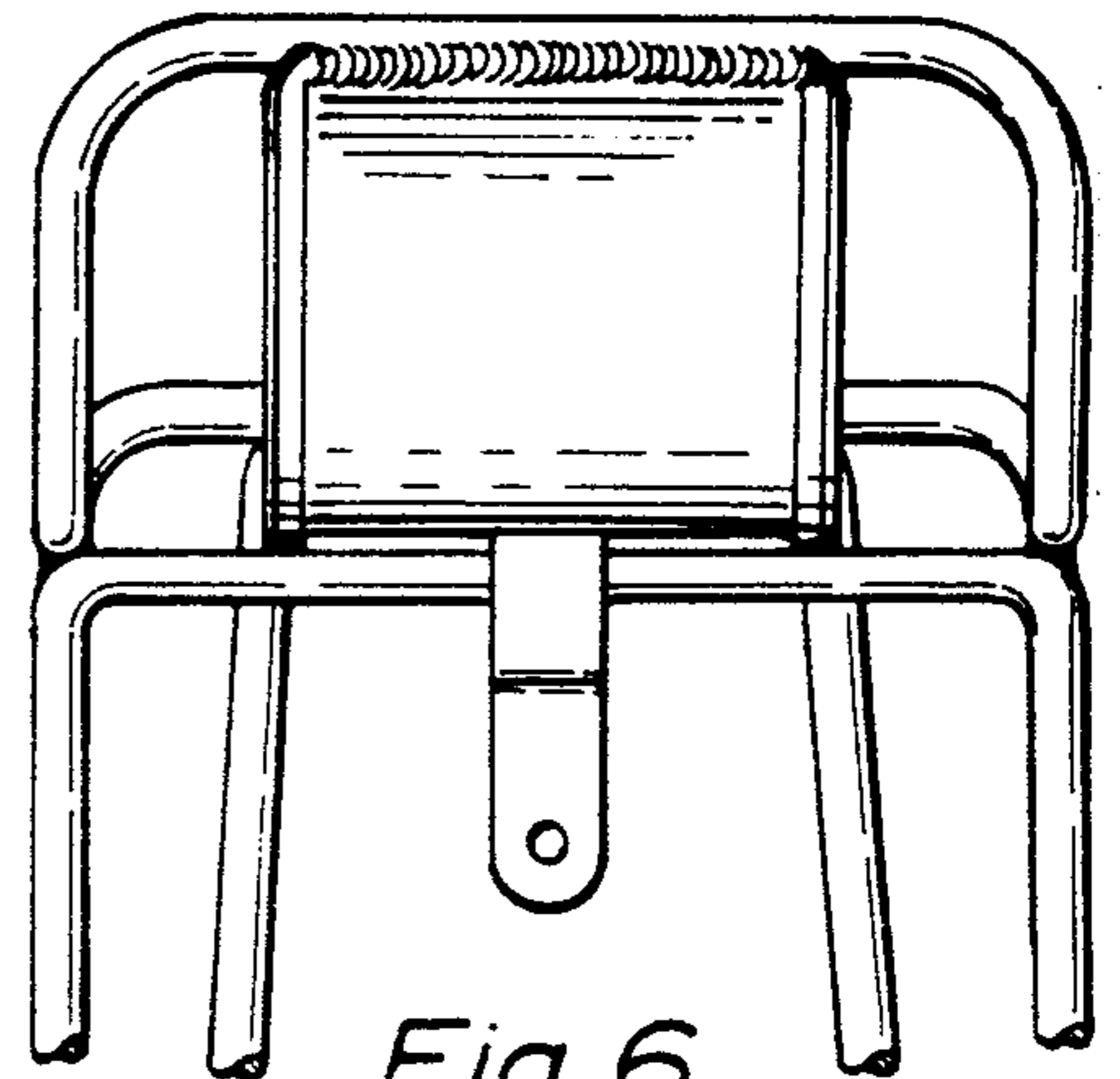


Fig. 6

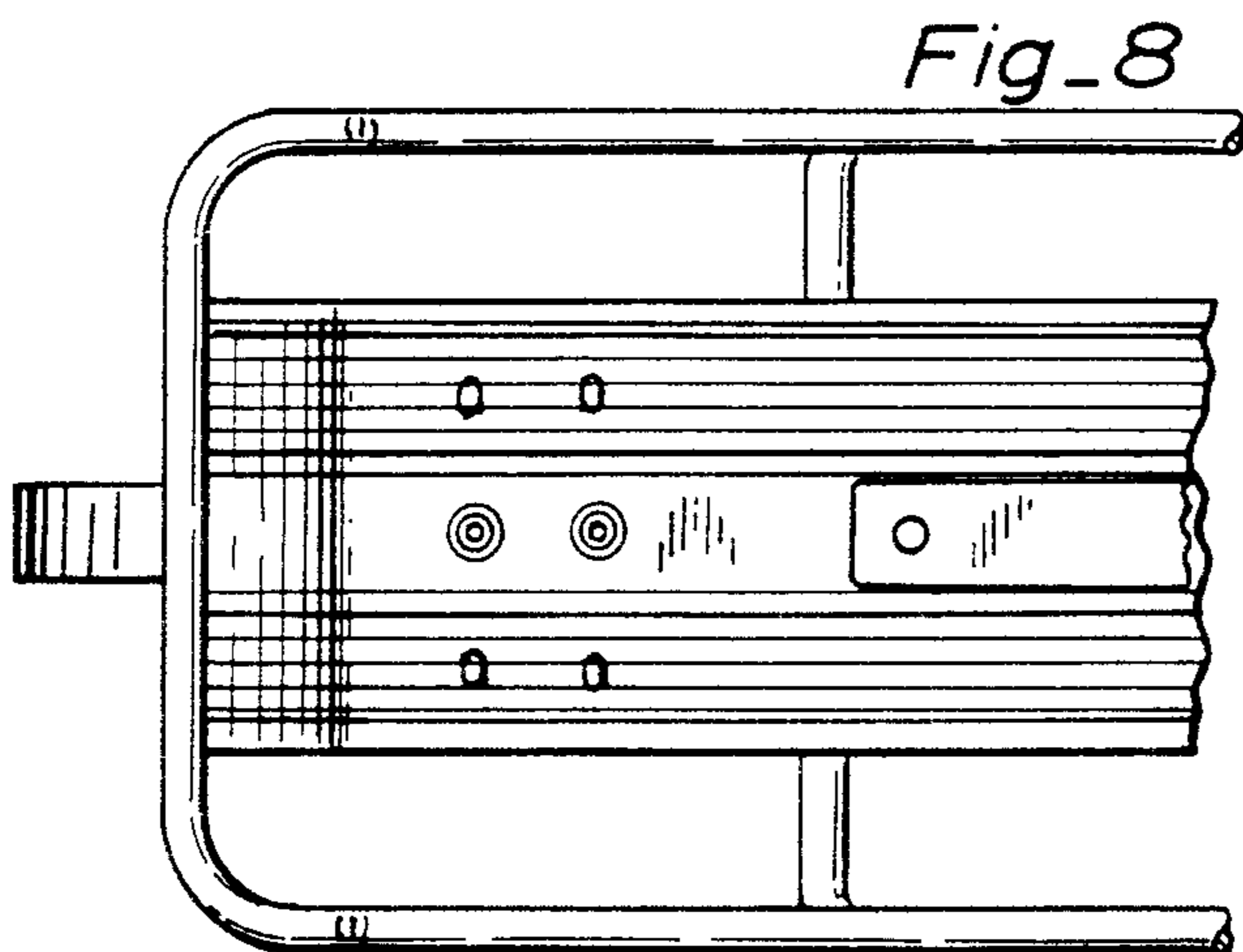


Fig. 8

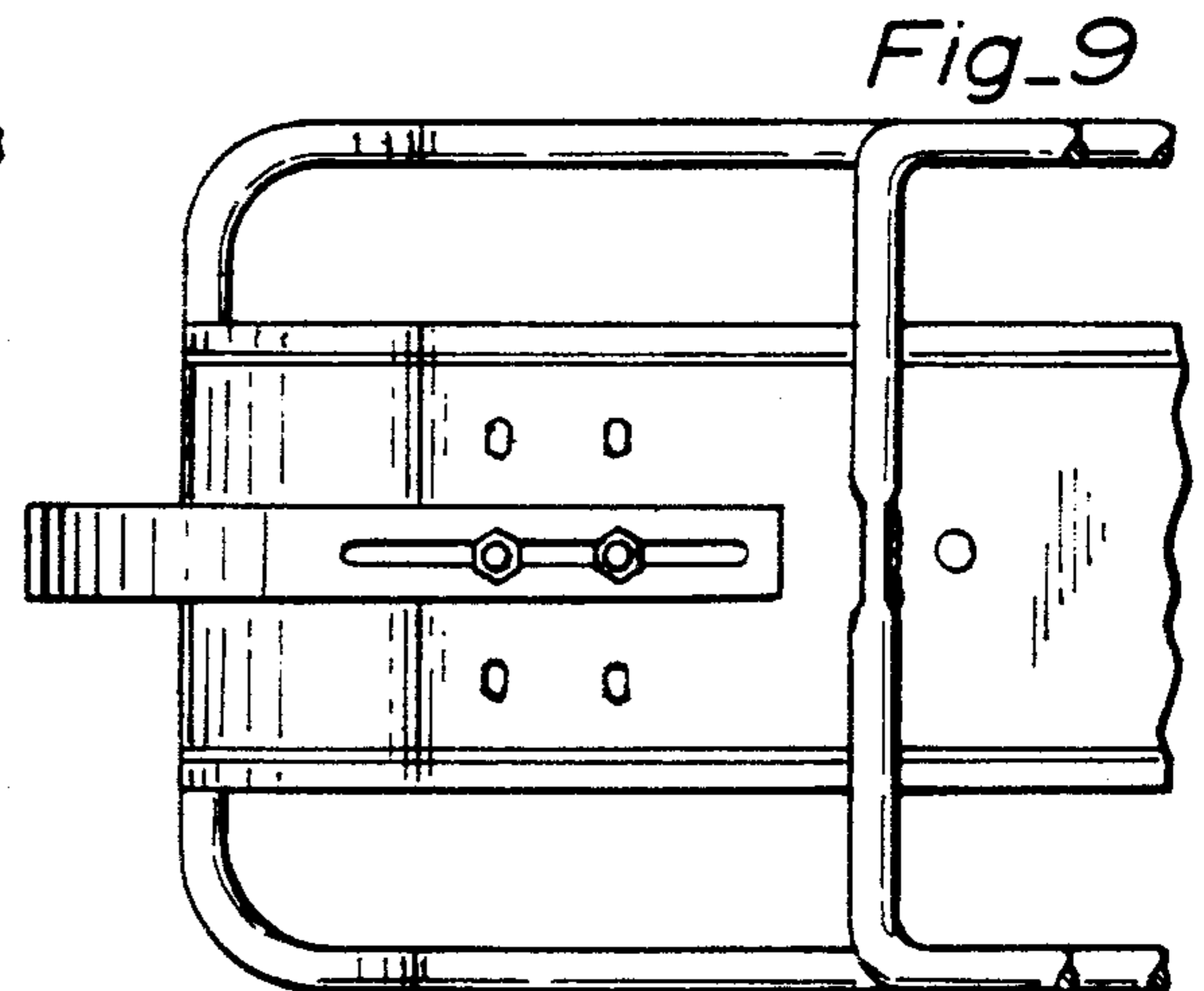


Fig. 9