

United States Patent [19]

Hishinuma

[11] Patent Number: **Des. 285,424**

[45] Date of Patent: **** Sep. 2, 1986**

[54] **FOUR WHEELED MOTORCYCLE**

[75] Inventor: **Takashi Hishinuma**, Hamamatsu, Japan

[73] Assignee: **Suzuki Jidosha Kogyo Kabushiki Kaisha**, Shizuoka, Japan

[**] Term: **14 Years**

[21] Appl. No.: **602,455**

[22] Filed: **Apr. 20, 1984**

[30] **Foreign Application Priority Data**

Mar. 9, 1984 [JP] Japan 59/9388

[52] U.S. Cl. **D12/107; D12/3**

[58] Field of Search **D12/107, 110, 3; 180/233, 241, 251, 311**

[56] **References Cited**

FOREIGN PATENT DOCUMENTS

87018 2/1983 Australia .

87019 2/1983 Australia .

51469 6/1983 Canada .

56-26726 6/1981 Japan .

56-32828 7/1981 Japan .

56-32830 7/1981 Japan .

56-32831 7/1981 Japan .

38548 9/1982 D.P.R. of Korea .

Primary Examiner—James M. Gandy

Attorney, Agent, or Firm—Quaintance, Murphy & Presta

[57] CLAIM

The ornamental design for a four wheeled motorcycle, as shown.

DESCRIPTION

FIG. 1 is a left side perspective view of a four wheeled motorcycle showing my new design;

FIG. 2 is a right side perspective view thereof;

FIG. 3 is a rear perspective view thereof;

FIG. 4 is a front perspective view thereof;

FIG. 5 is a top perspective view thereof;

FIG. 6 is a bottom perspective view thereof;

FIG. 7 is a front, top and right side perspective view thereof.

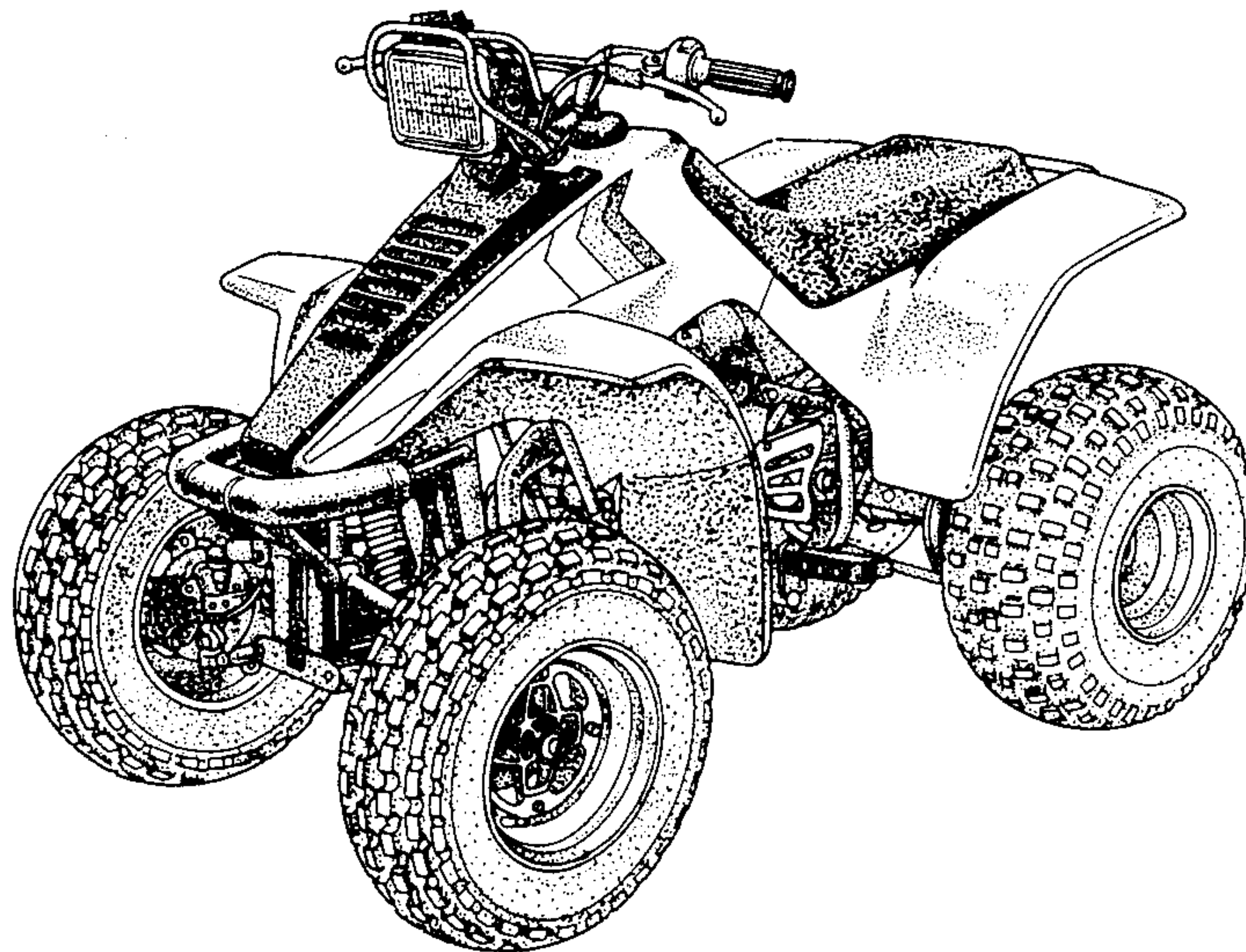


FIG. 1

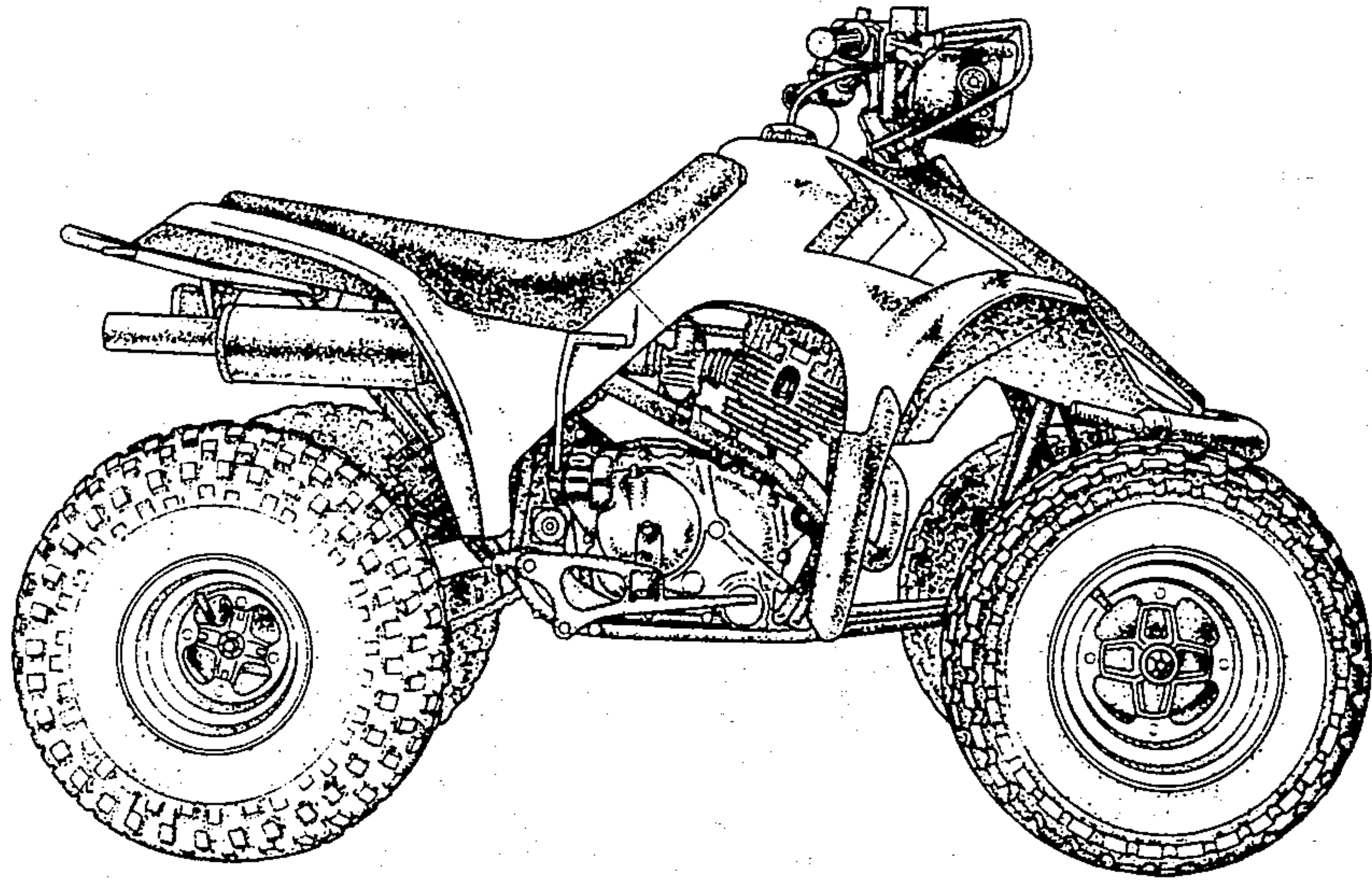


FIG. 2

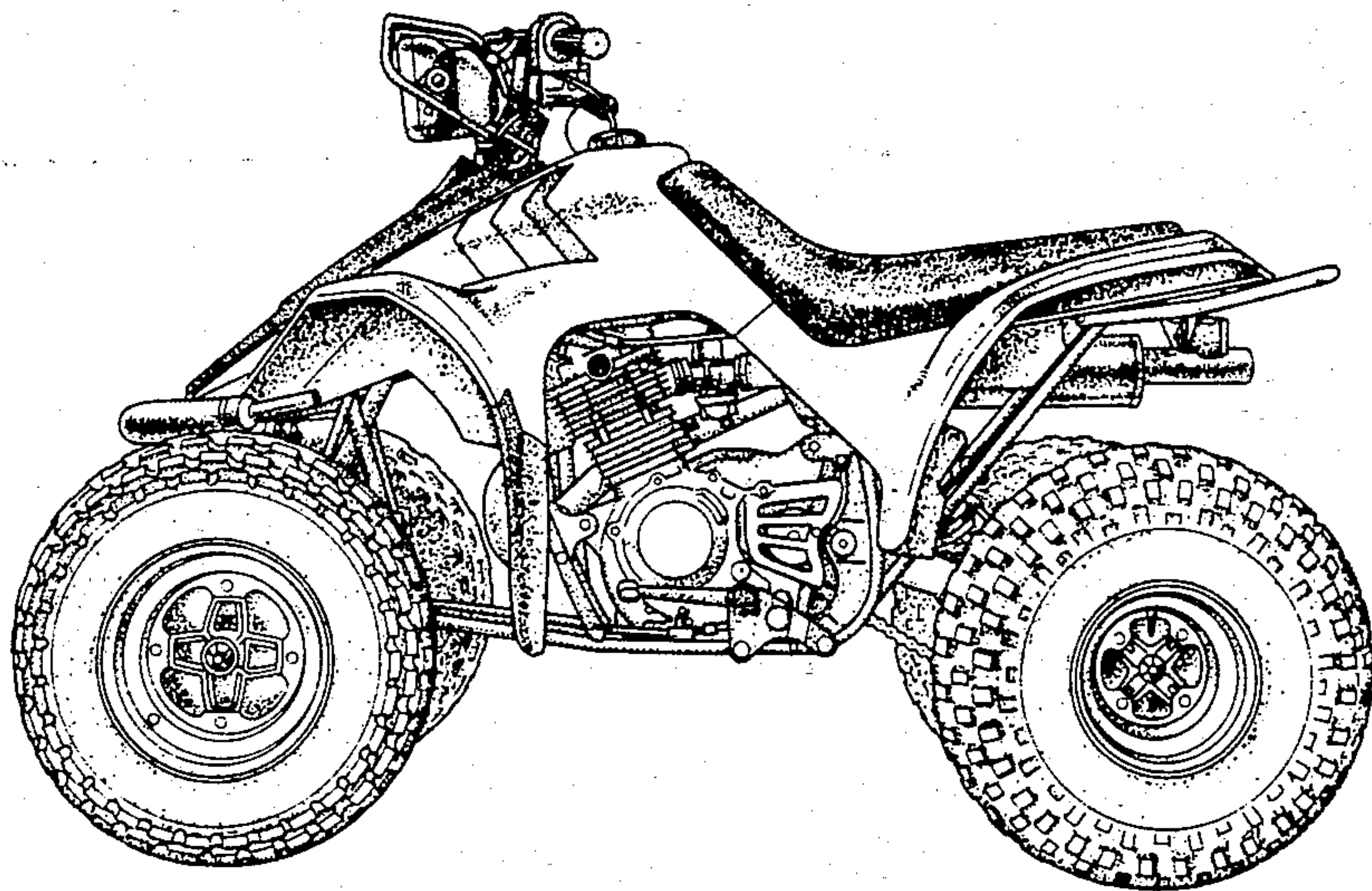


FIG. 3

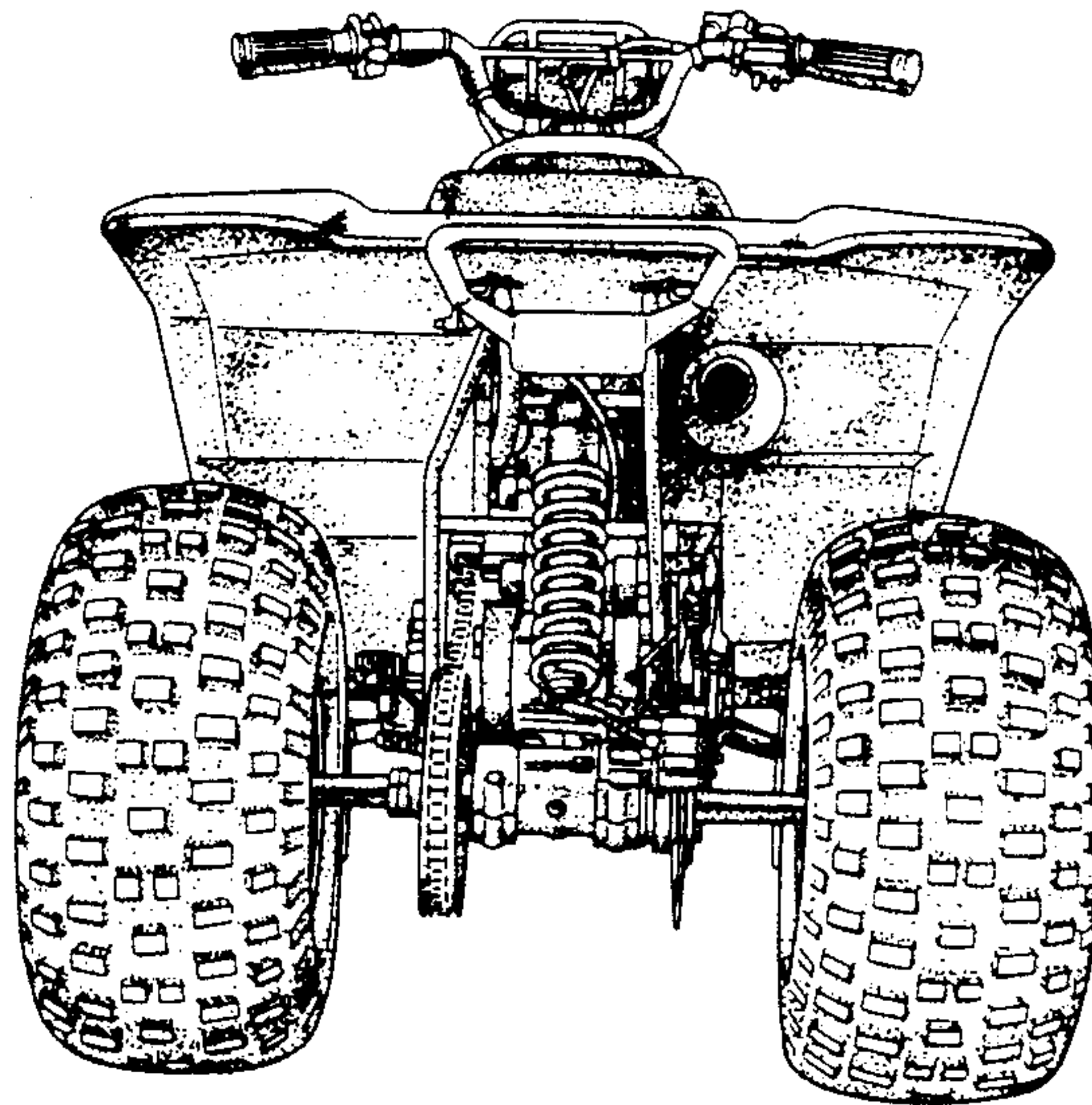


FIG. 4

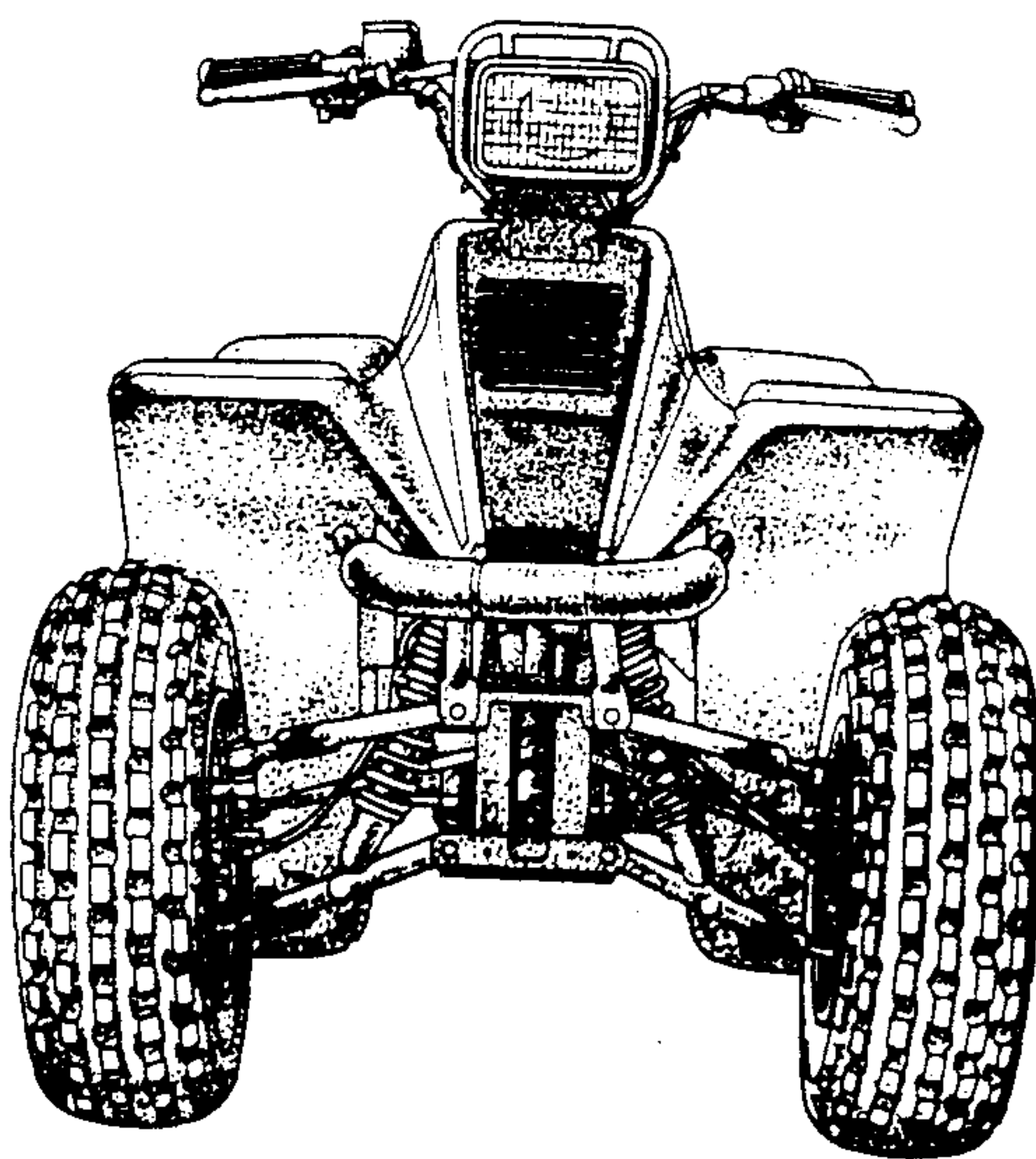


FIG. 5

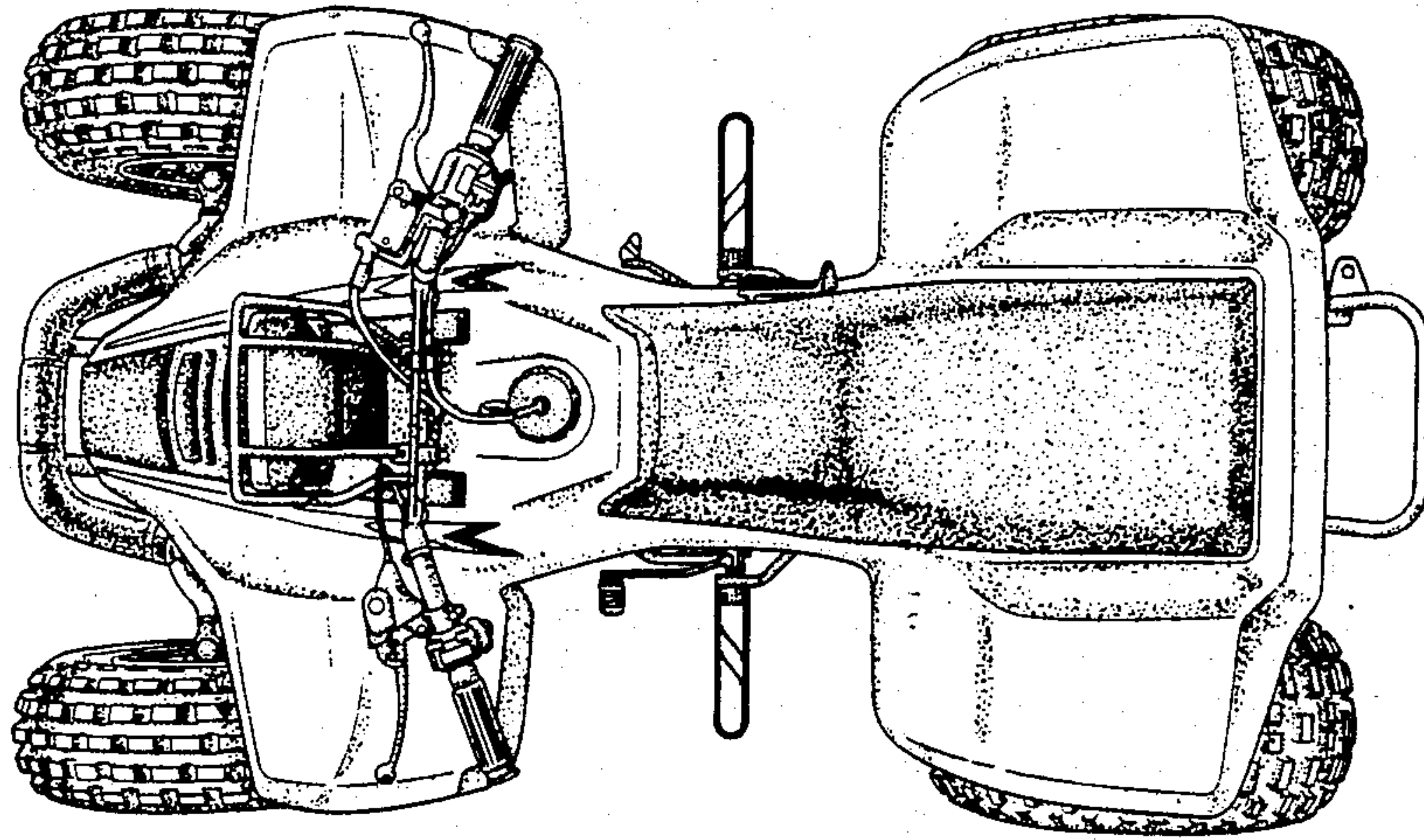


FIG. 6

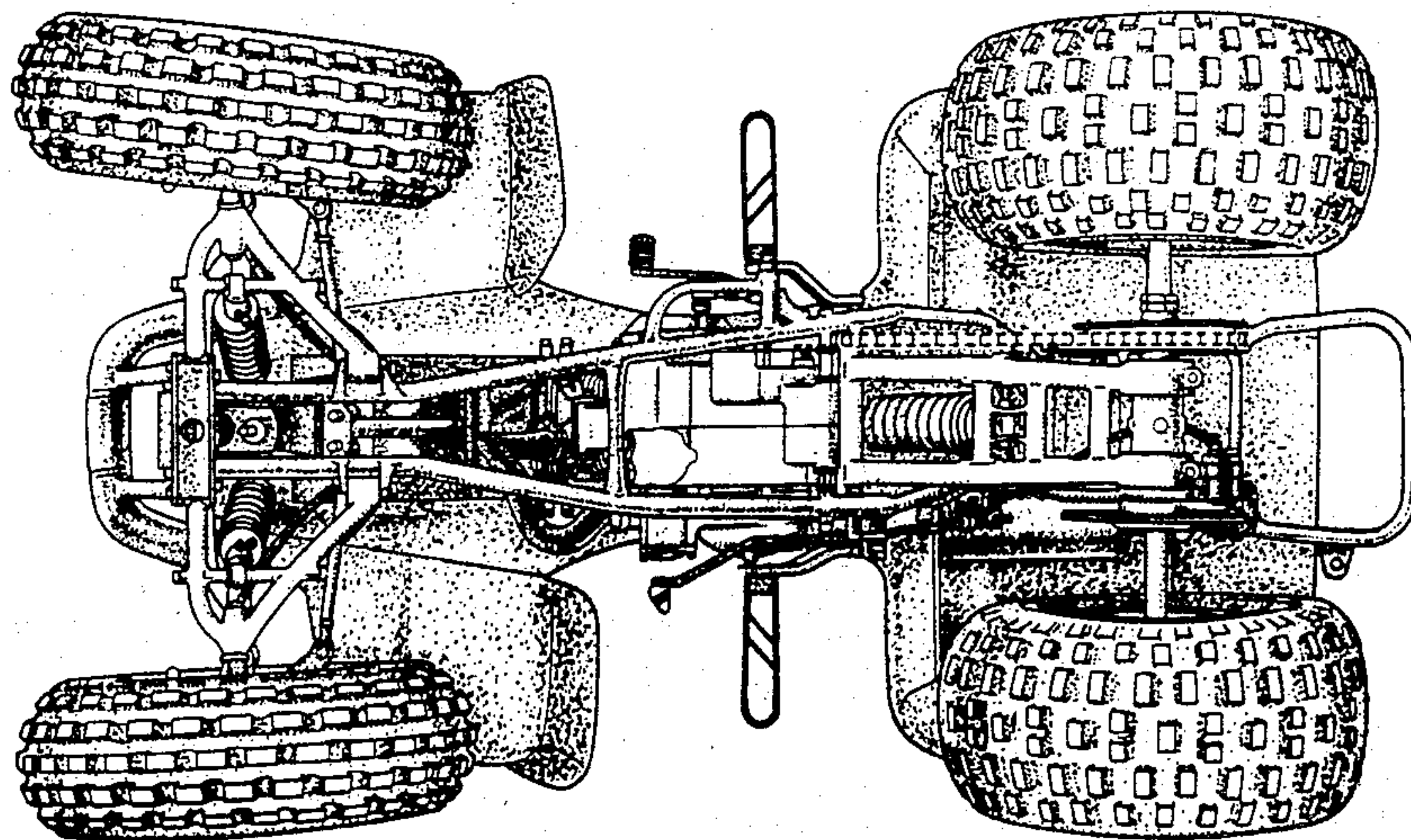


FIG. 7

