

[54] HOUSEHOLD TIMER

[75] Inventor: Klaus Keichel, Friedberg, Fed. Rep. of Germany

[73] Assignee: Diehl GmbH & Co., Nuremberg, Fed. Rep. of Germany

[**] Term: 14 Years

[21] Appl. No.: 581,332

[22] Filed: Feb. 15, 1984

[30] Foreign Application Priority Data

Sep. 1, 1983 [DE] Fed. Rep. of Germany ... MR VII21

[52] U.S. Cl. D10/40

[58] Field of Search D10/40; 368/89, 101, 368/107-117

[56] References Cited

U.S. PATENT DOCUMENTS

D. 184,920	4/1959	Eisenberg et al.	D10/40
D. 214,282	5/1969	Rodriguez	D10/40
D. 226,631	4/1973	Baker	D10/40
D. 265,553	7/1982	Joss et al.	D10/40
3,823,547	7/1974	Hulterstrum et al.	D10/40 X

Primary Examiner—Louis S. Zarfaz
Attorney, Agent, or Firm—Scully, Scott, Murphy & Presser

[57] CLAIM

The ornamental design for a household timer, as shown.

DESCRIPTION

FIG. 1 is a left and front perspective view of the household timer showing my new design;
FIG. 2 is a front elevational view thereof;
FIG. 3 is a top plan view thereof;
FIG. 4 is a rear elevational view thereof;
FIG. 5 is a bottom plan view thereof;
FIG. 6 is a left side elevational view thereof; and
FIG. 7 is a right side elevational view thereof.

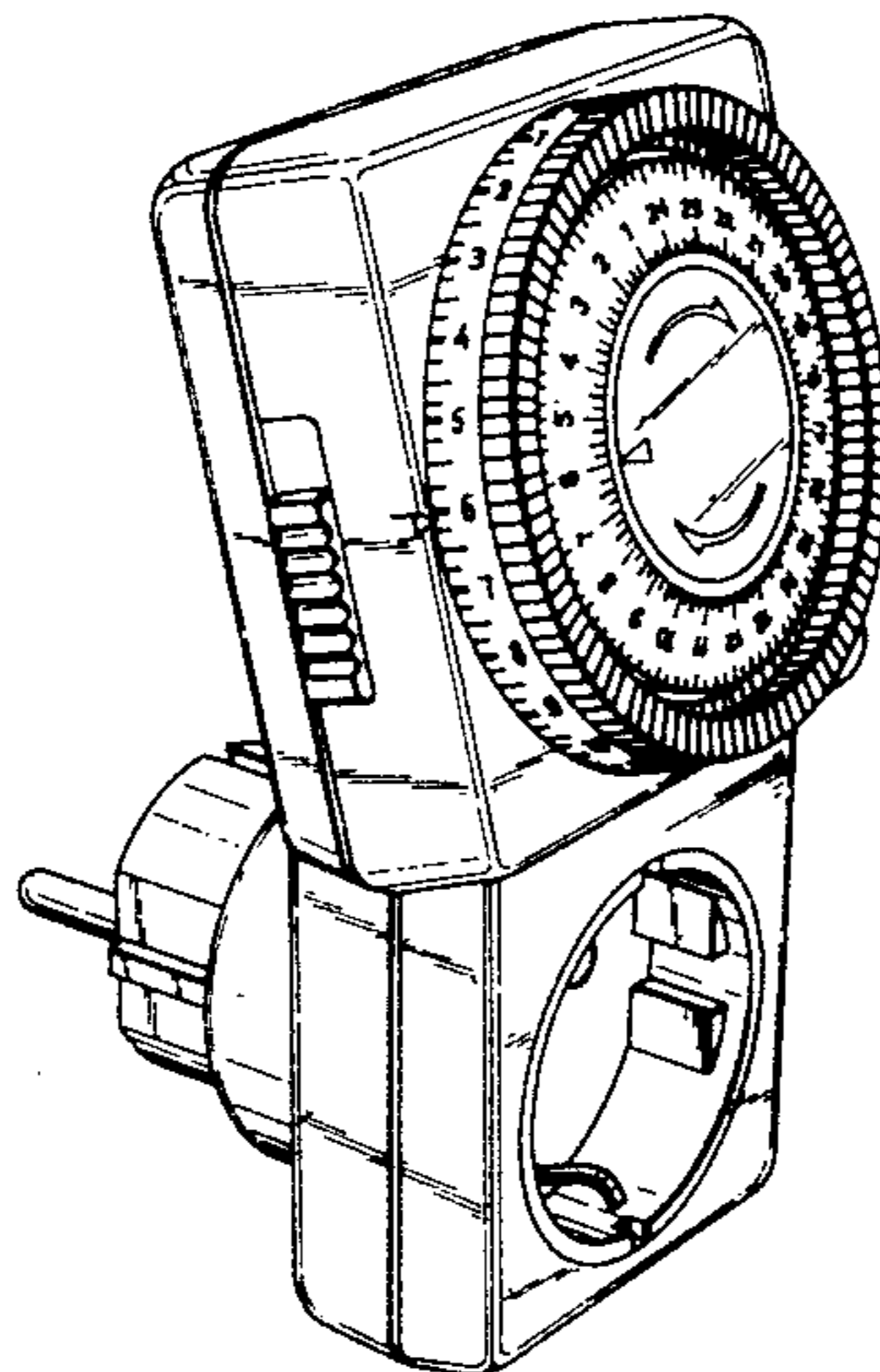


Fig. 1

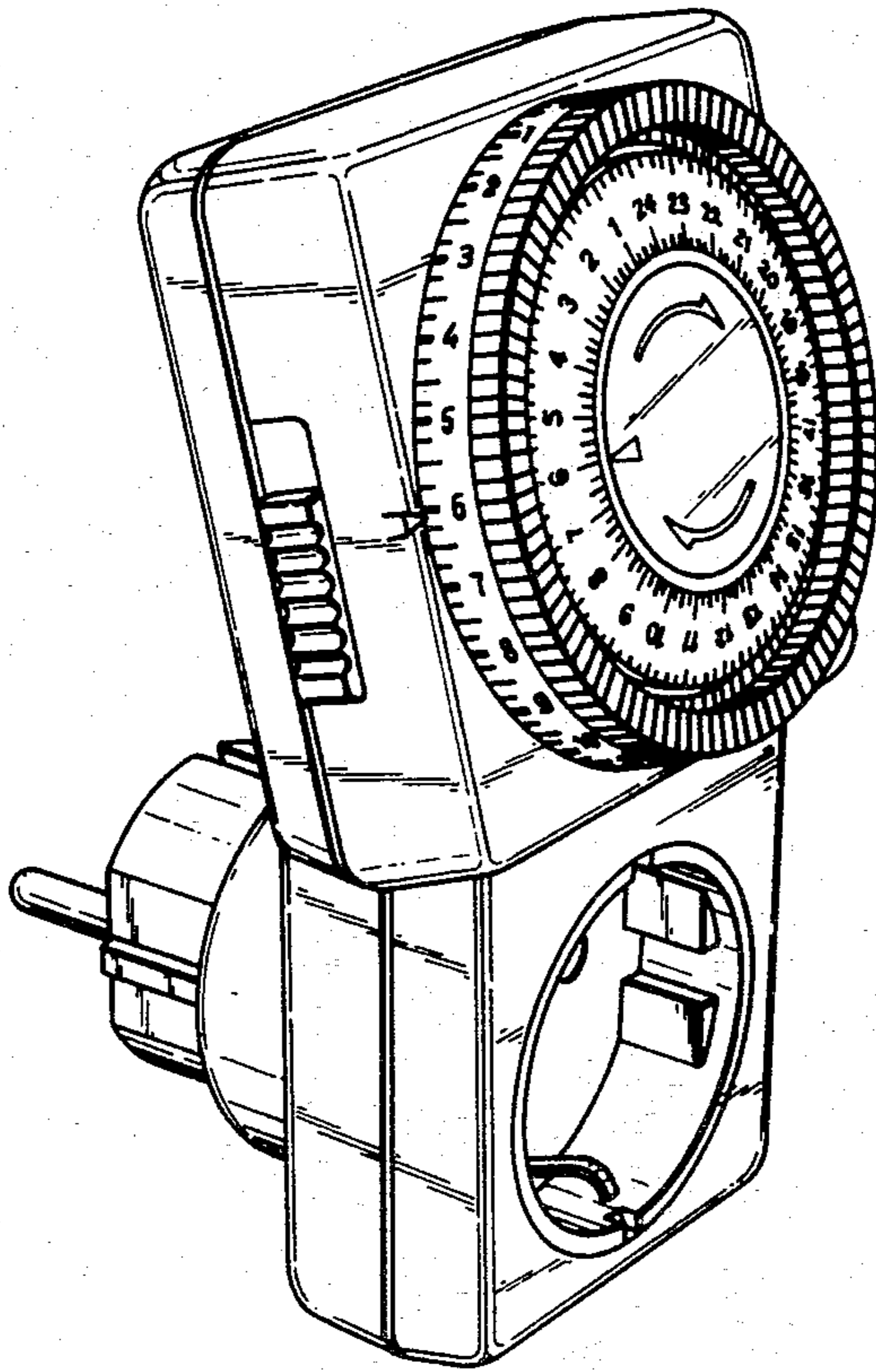


Fig. 2

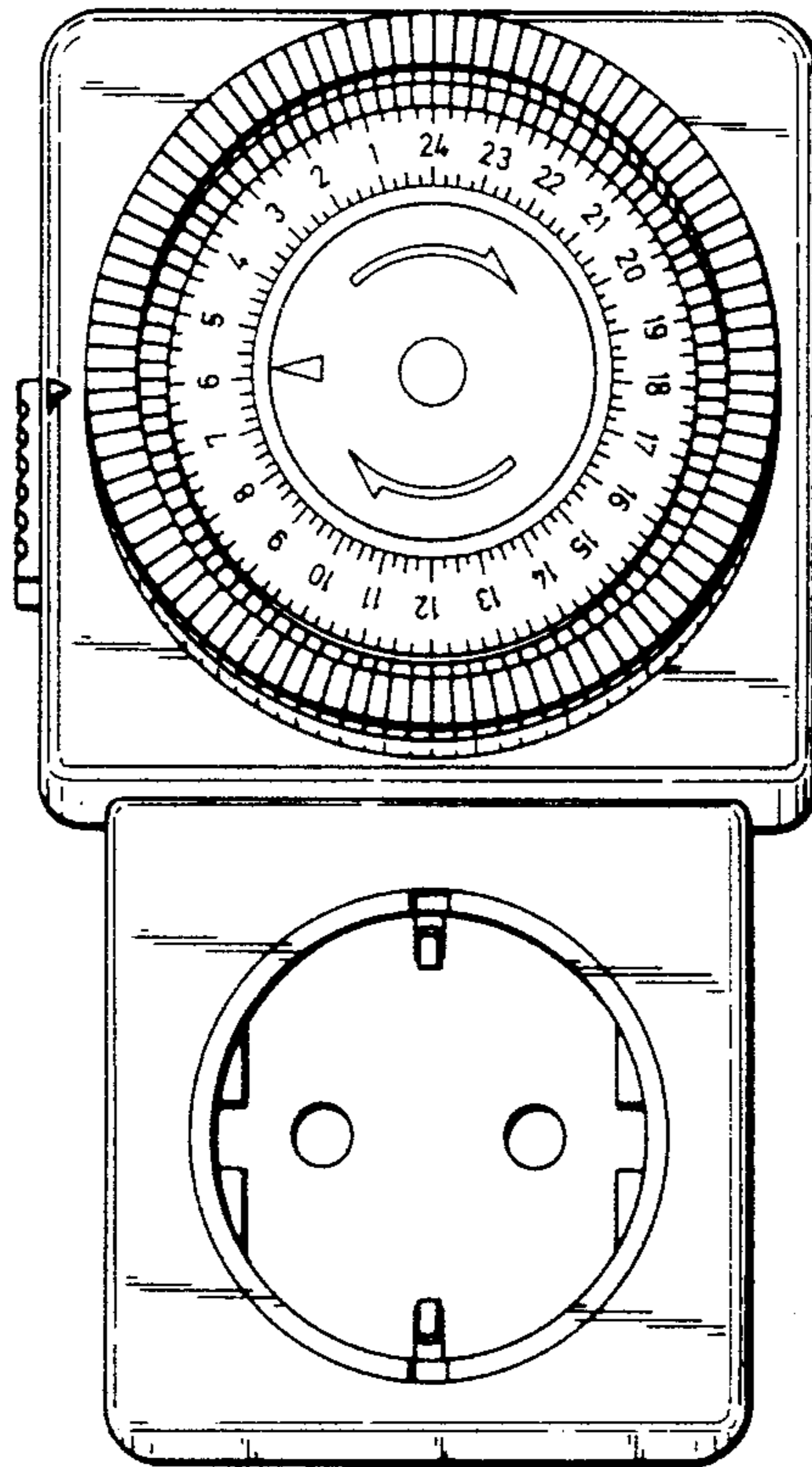


Fig. 5

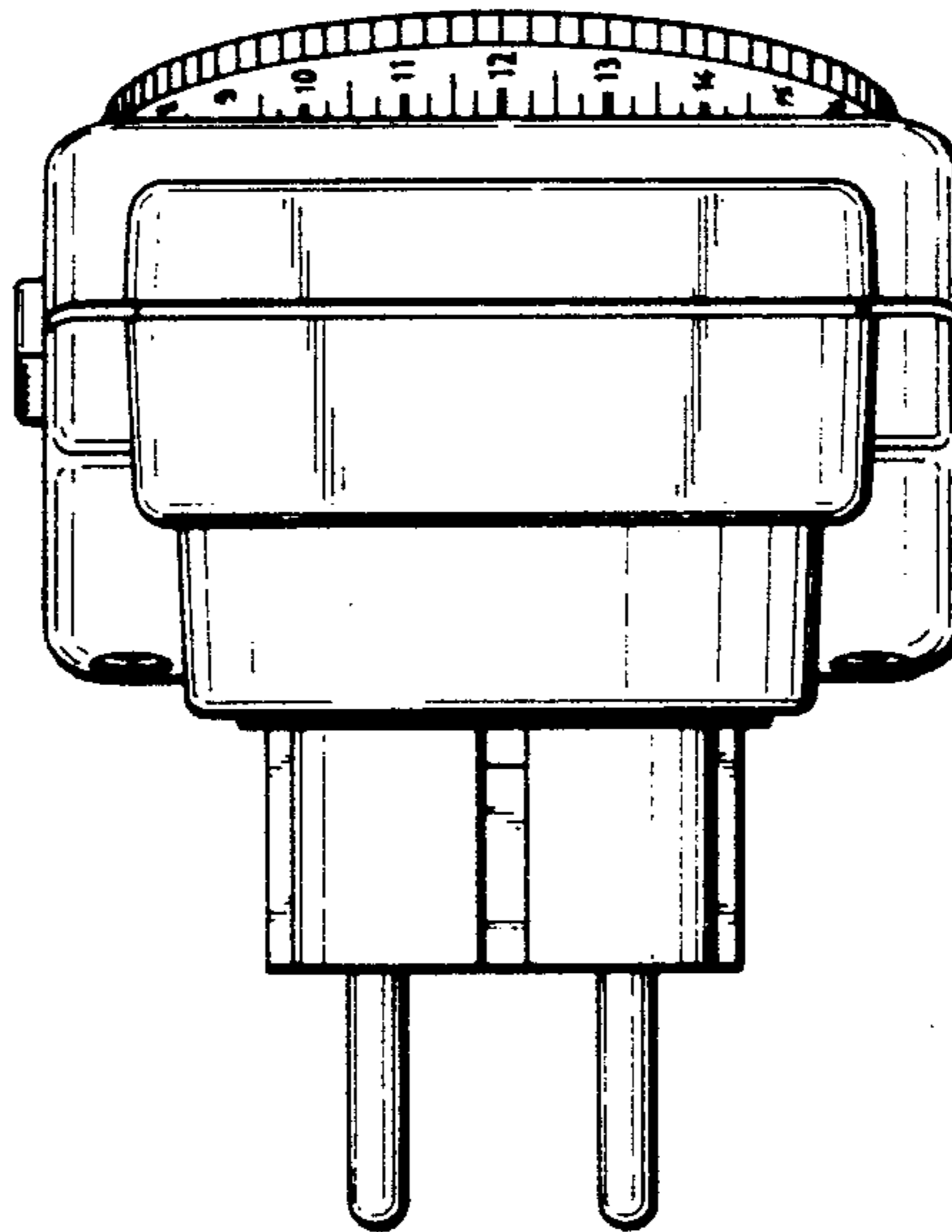


Fig. 3

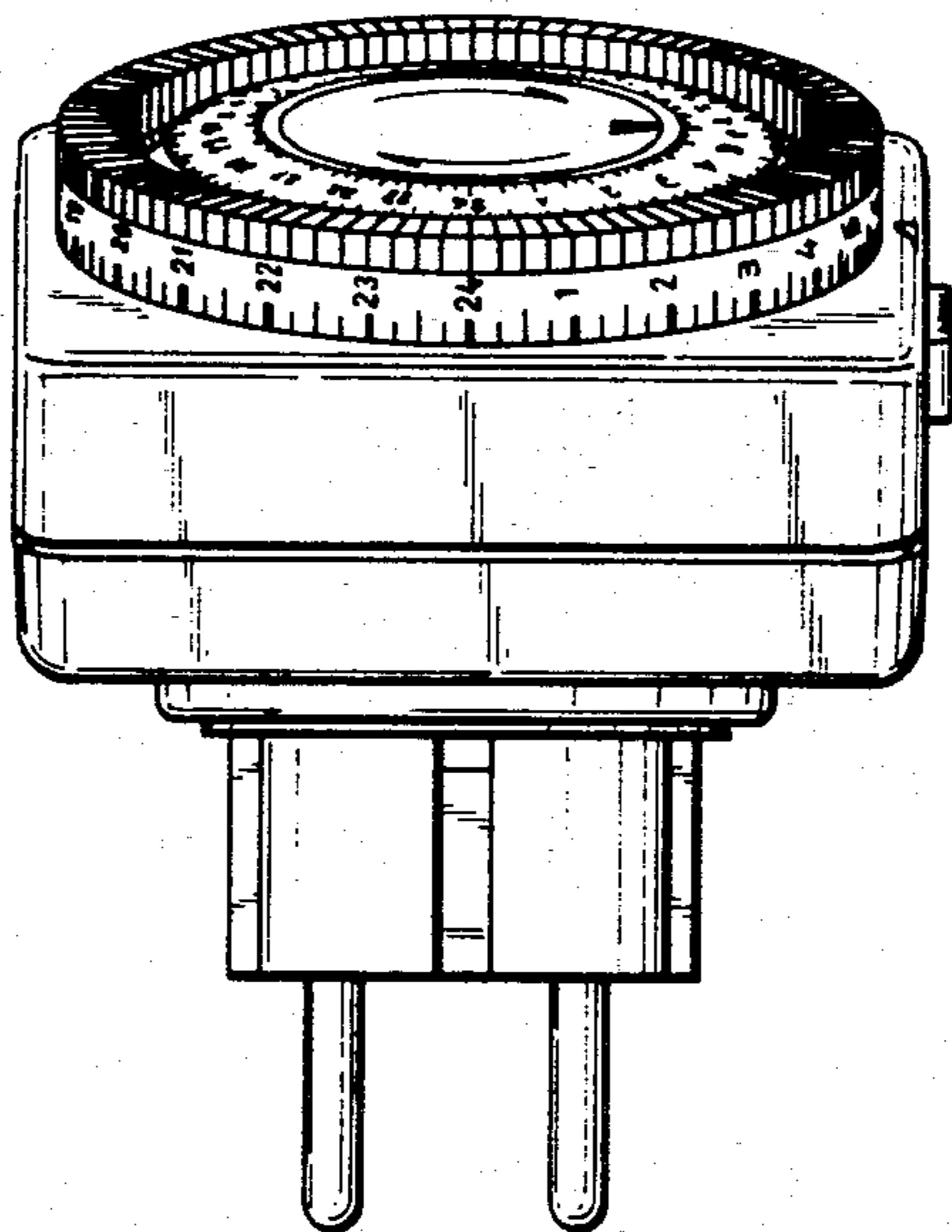


Fig. 4

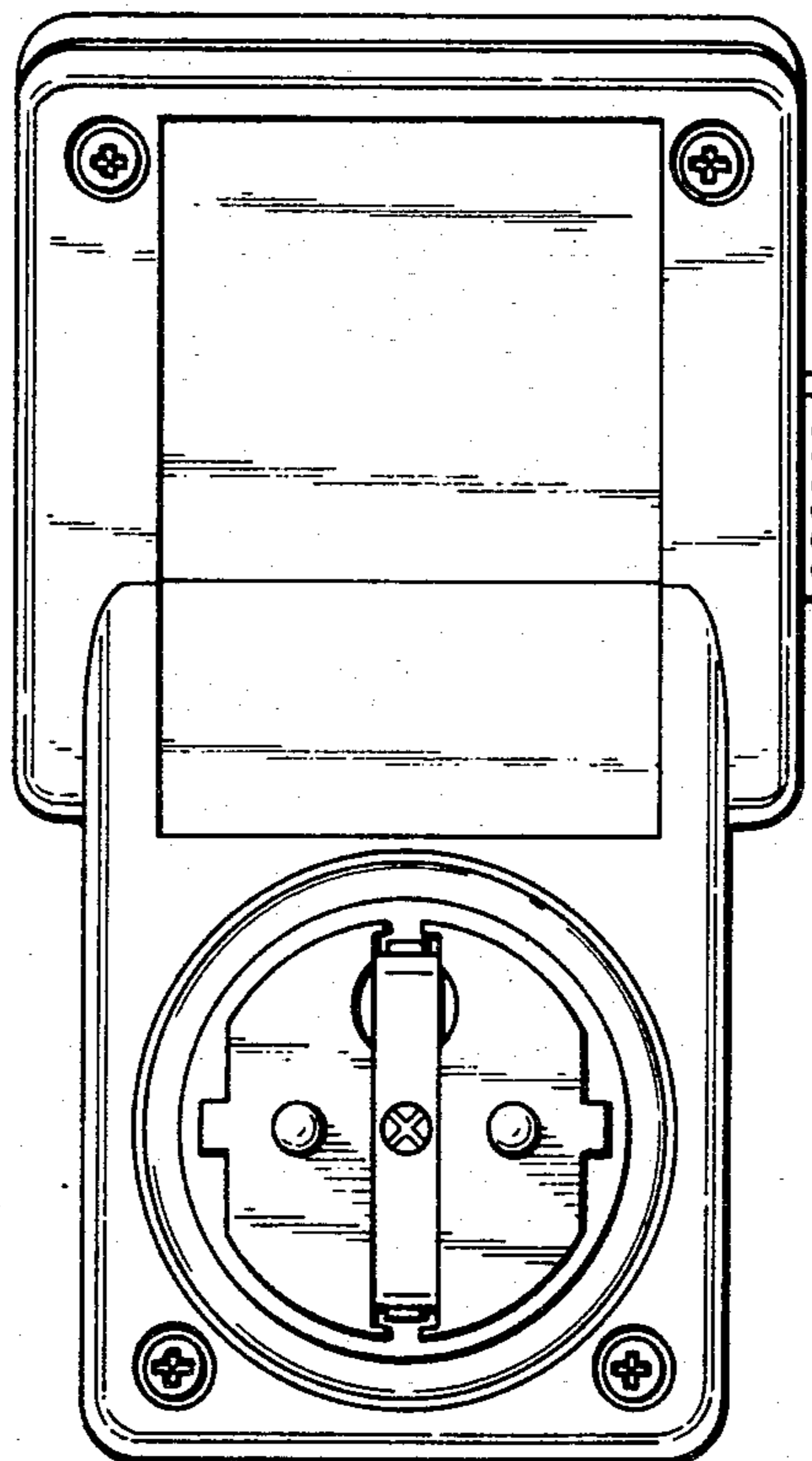


Fig. 7

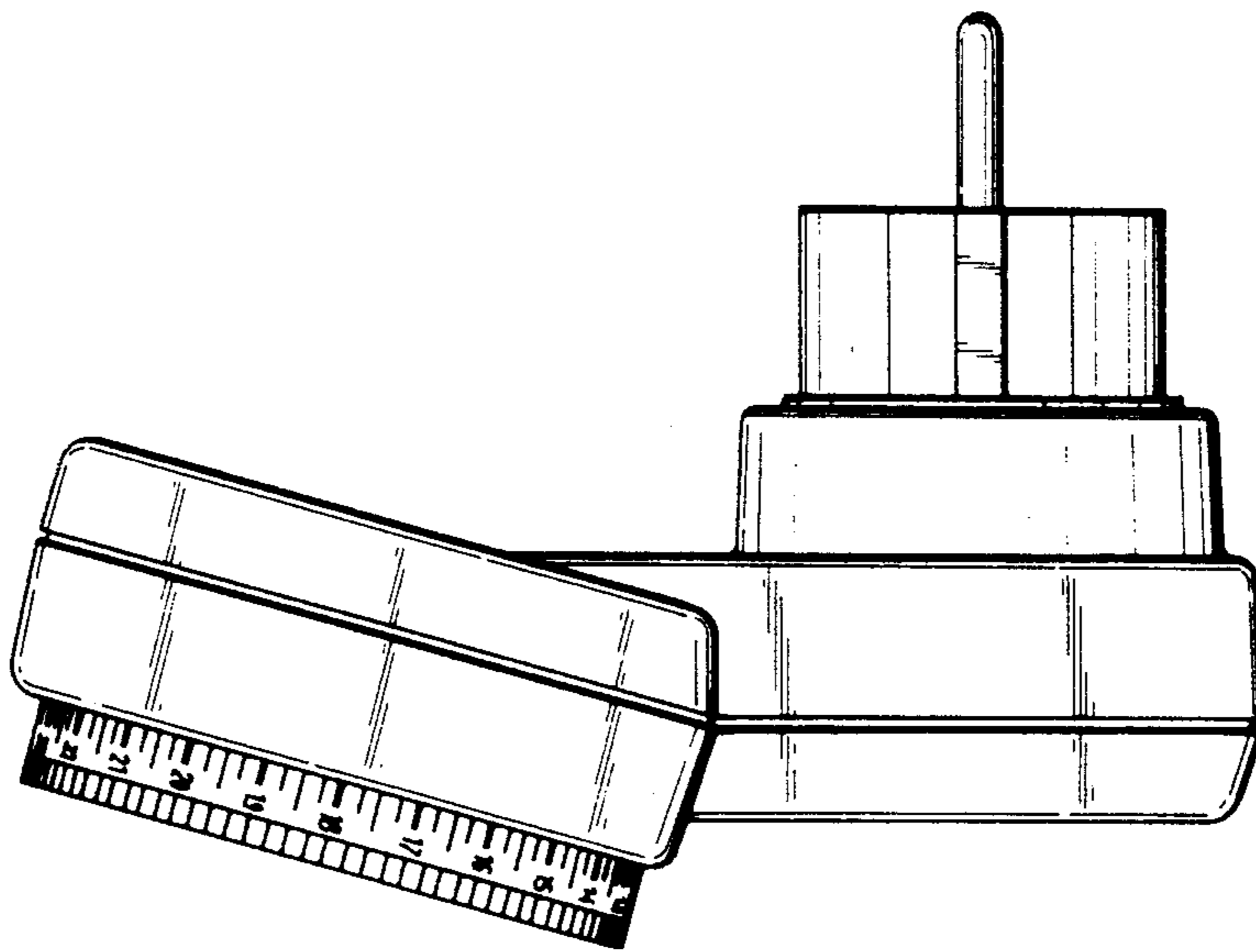


Fig. 6

