

[54] COMBINED FOOD CONTAINER AND BOTTLE

[75] Inventor: Arthur R. Carlson, East Malvern, Australia

[73] Assignee: The Decor Corporation Pty, Ltd., Scoresby, Australia

[**] Term: 14 Years

[21] Appl. No.: 513,719

[22] Filed: Jul. 14, 1983

[52] U.S. Cl. D9/337; D9/425; D9/432; D9/435

[58] Field of Search 206/541, 542, 543, 544, 206/545; 62/371, 372, 457; 220/22.3, 23, 281, 284, 306, 324, 400, 408, 412; D34/40; D9/424, 425, 431, 432, 435; D7/16, 37, 38, 70, 76, 77, 79

[56] References Cited

U.S. PATENT DOCUMENTS

- D. 189,594 1/1961 Robinson D9/425
- D. 205,868 9/1966 Immerman et al. D9/425
- D. 209,239 11/1967 Bernstein D9/425
- D. 231,085 4/1974 Edwards D9/425
- D. 240,597 7/1976 Persson D9/425
- D. 243,914 4/1977 Marubashi et al. D9/425 X
- D. 248,621 7/1978 Hay et al. D9/431
- D. 268,622 4/1983 Wolters et al. D34/40
- 1,926,240 9/1933 Maas D7/16 X
- 2,457,043 12/1948 Histan 206/545 X

- 2,496,296 2/1950 Lobl 206/545 X
- 2,695,645 11/1954 Tupper D7/16 X
- 2,780,385 2/1957 Tupper D9/431 X
- 3,391,816 7/1968 Swett D7/76 X
- 3,698,783 10/1972 Swett et al. D7/76 X
- 4,024,731 5/1977 Branscum 220/23 X
- 4,336,883 6/1982 Krug et al. 206/545
- 4,499,998 2/1985 Carlson 206/541

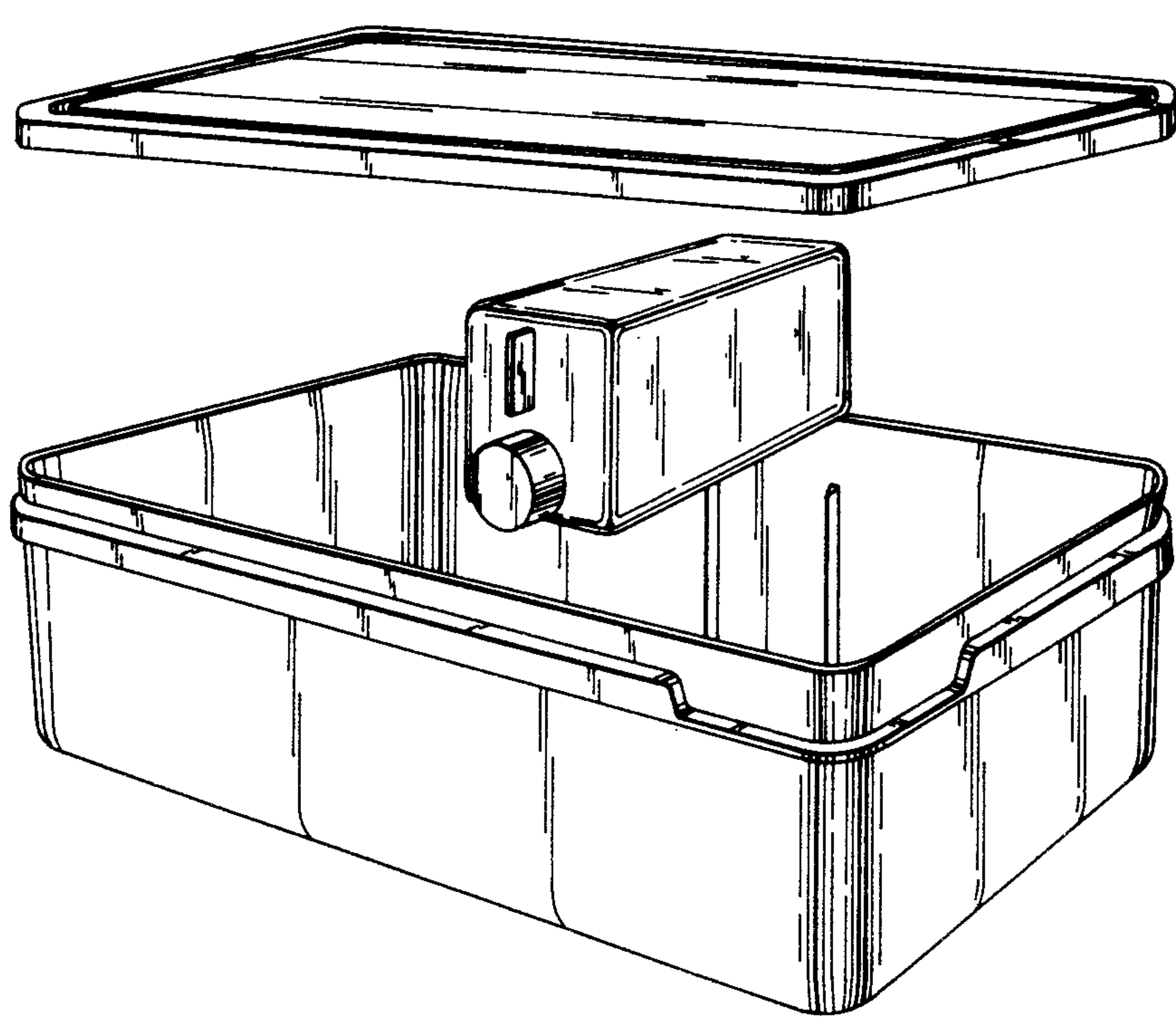
Primary Examiner—Robert C. Spangler
Attorney, Agent, or Firm—Walter H. Schneider

[57] CLAIM

The ornamental design for a combined food container and bottle, as shown.

DESCRIPTION

FIG. 1 is a perspective view of a combined food container and bottle showing my new design;
 FIG. 2 is a top plan view;
 FIG. 3 is an end elevational view;
 FIG. 4 is a side elevational view;
 FIG. 5 is a medial, longitudinal sectional view;
 FIG. 6 is an exploded perspective view;
 FIG. 7 is a top view of the container with the cover and bottle removed;
 FIG. 8 is a top view of the bottle;
 FIG. 9 is a side view of the bottle;
 FIG. 10 is an end view of the bottle;
 FIG. 11 is an end view of the other end of the bottle;
 and
 FIG. 12 is a bottom view of the bottle.



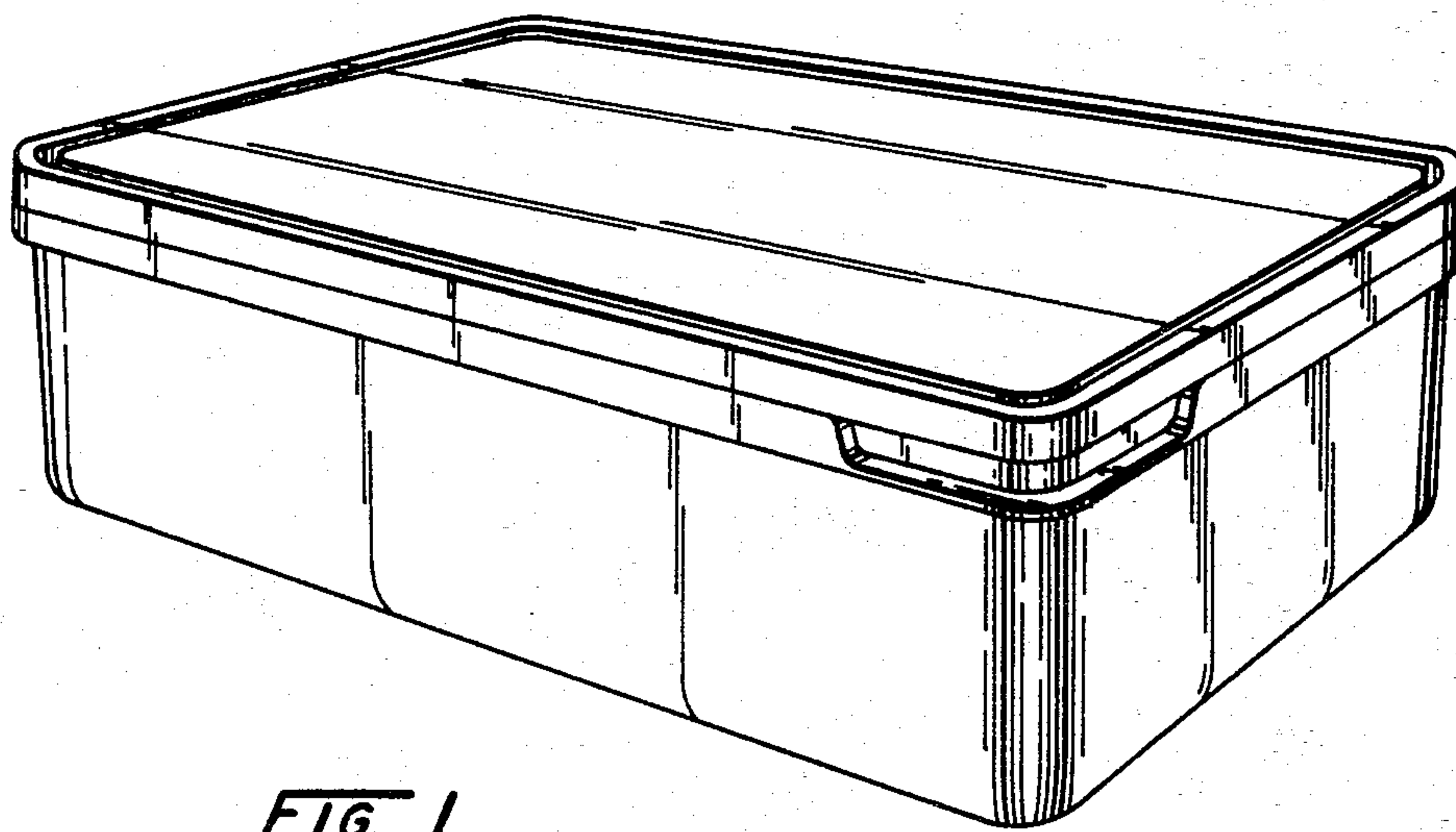


FIG. 1

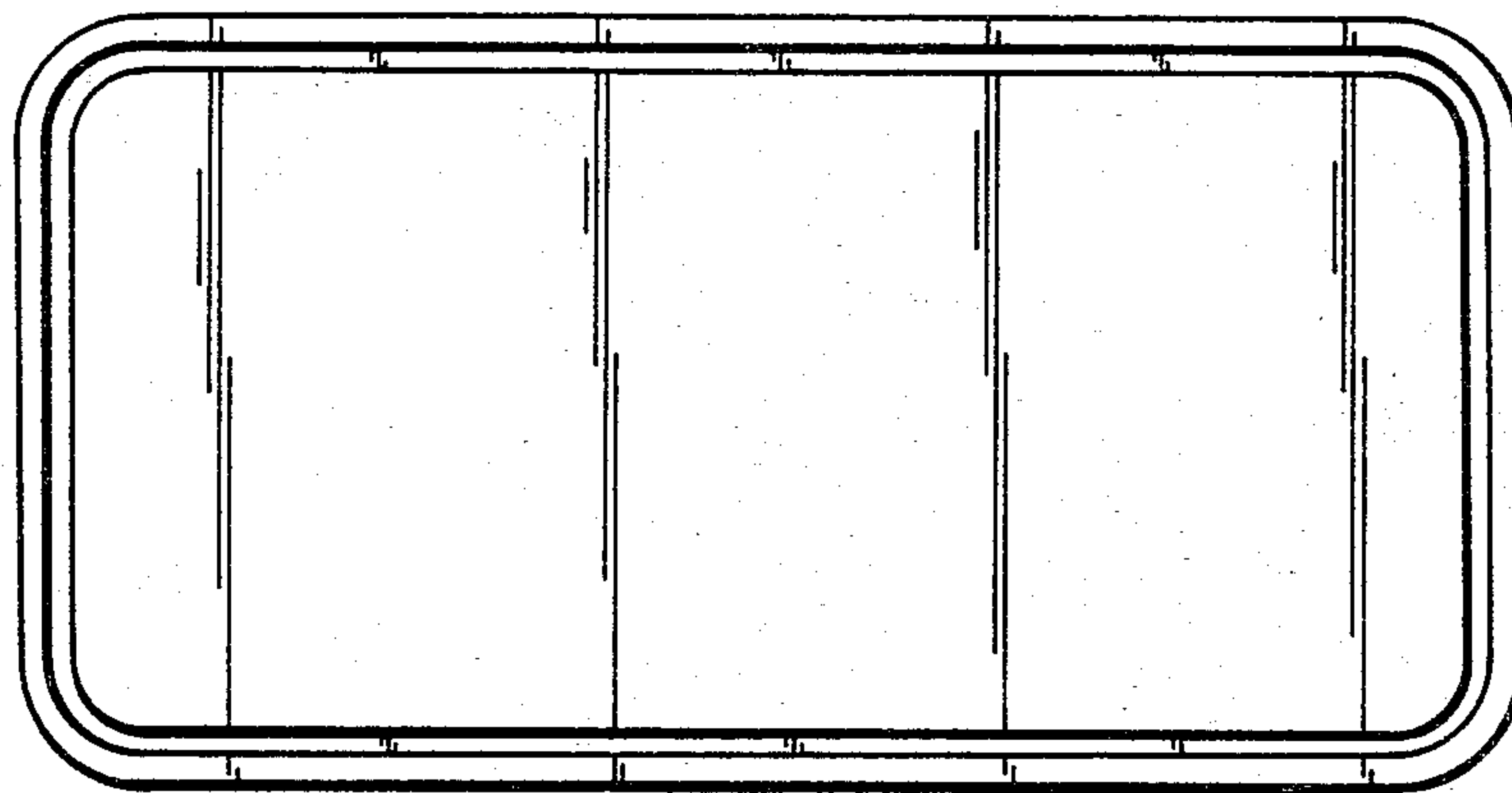


FIG. 2

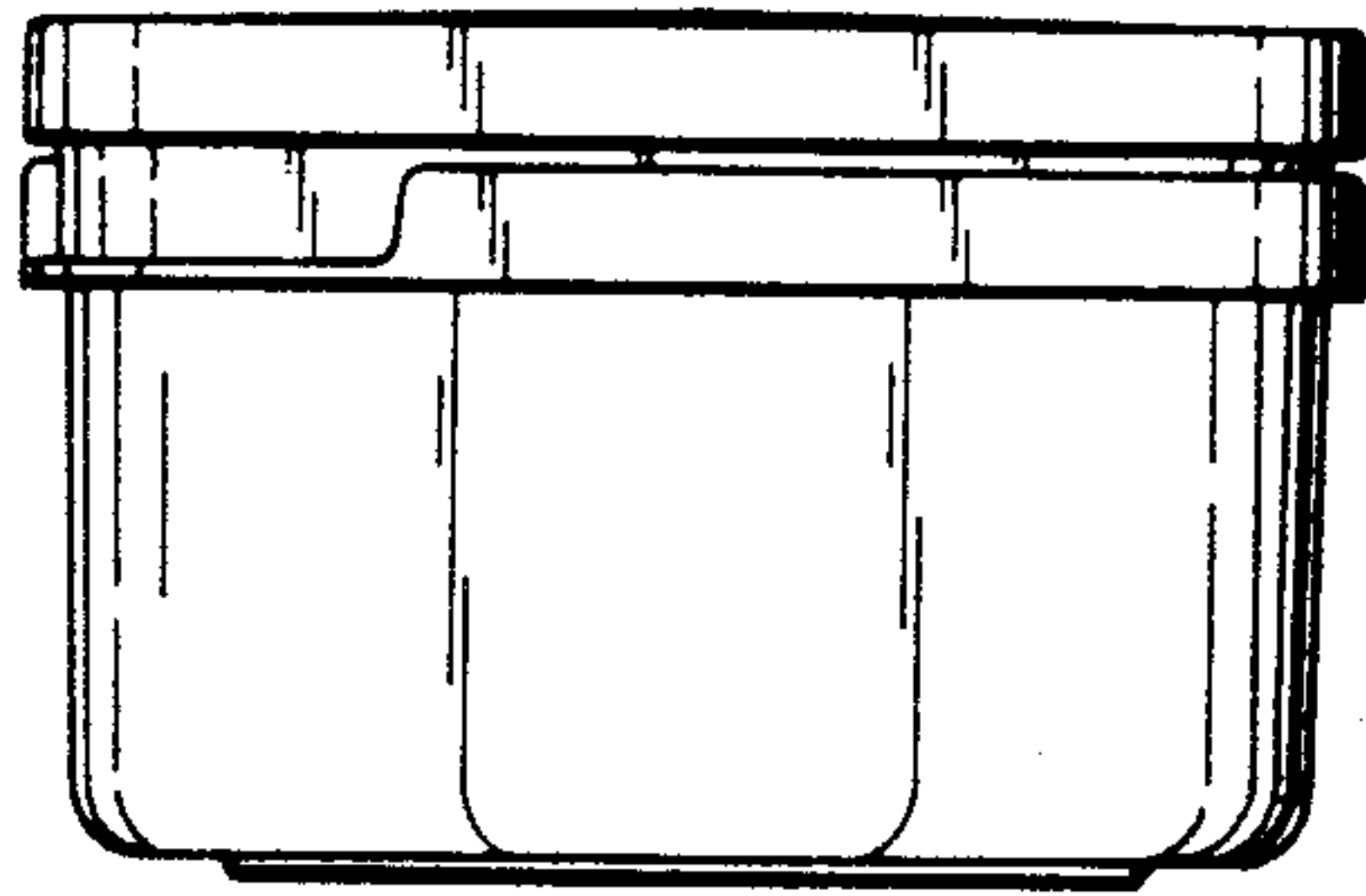


FIG. 3

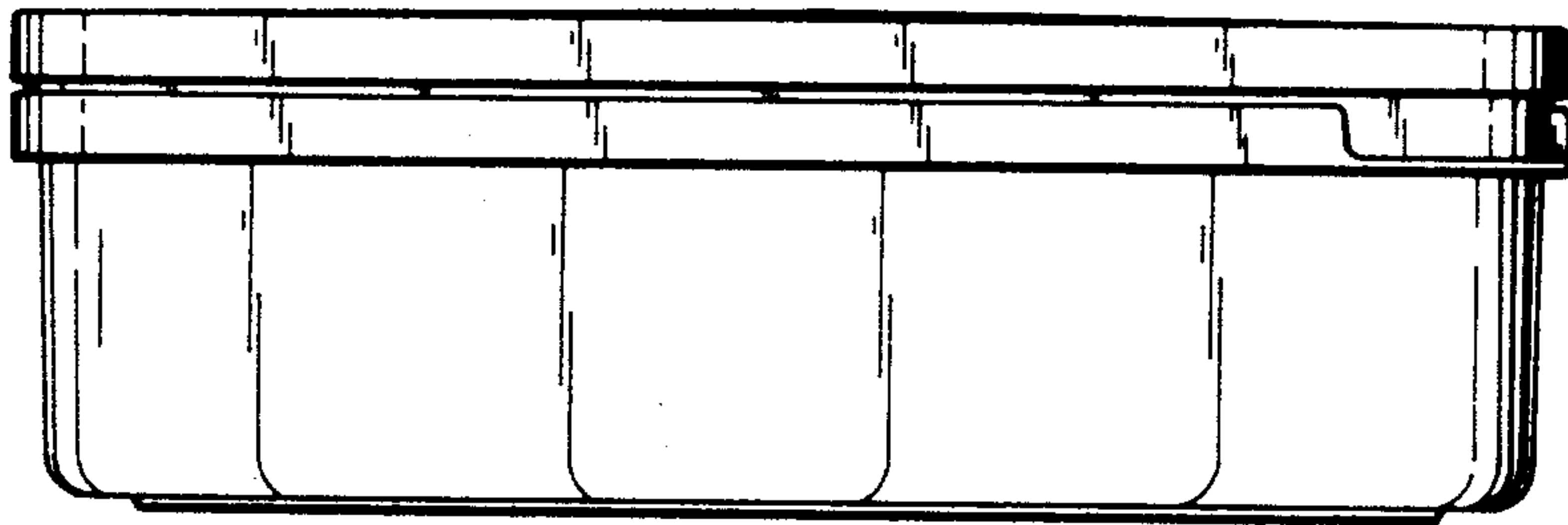


FIG. 4

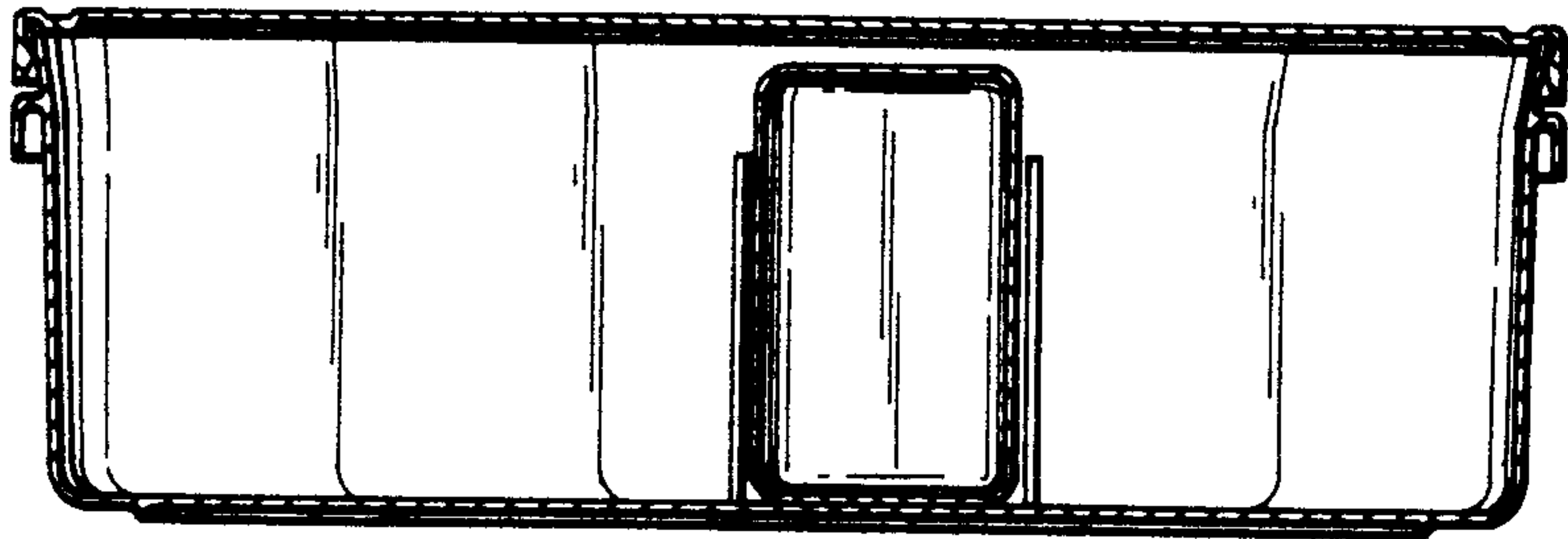


FIG. 5

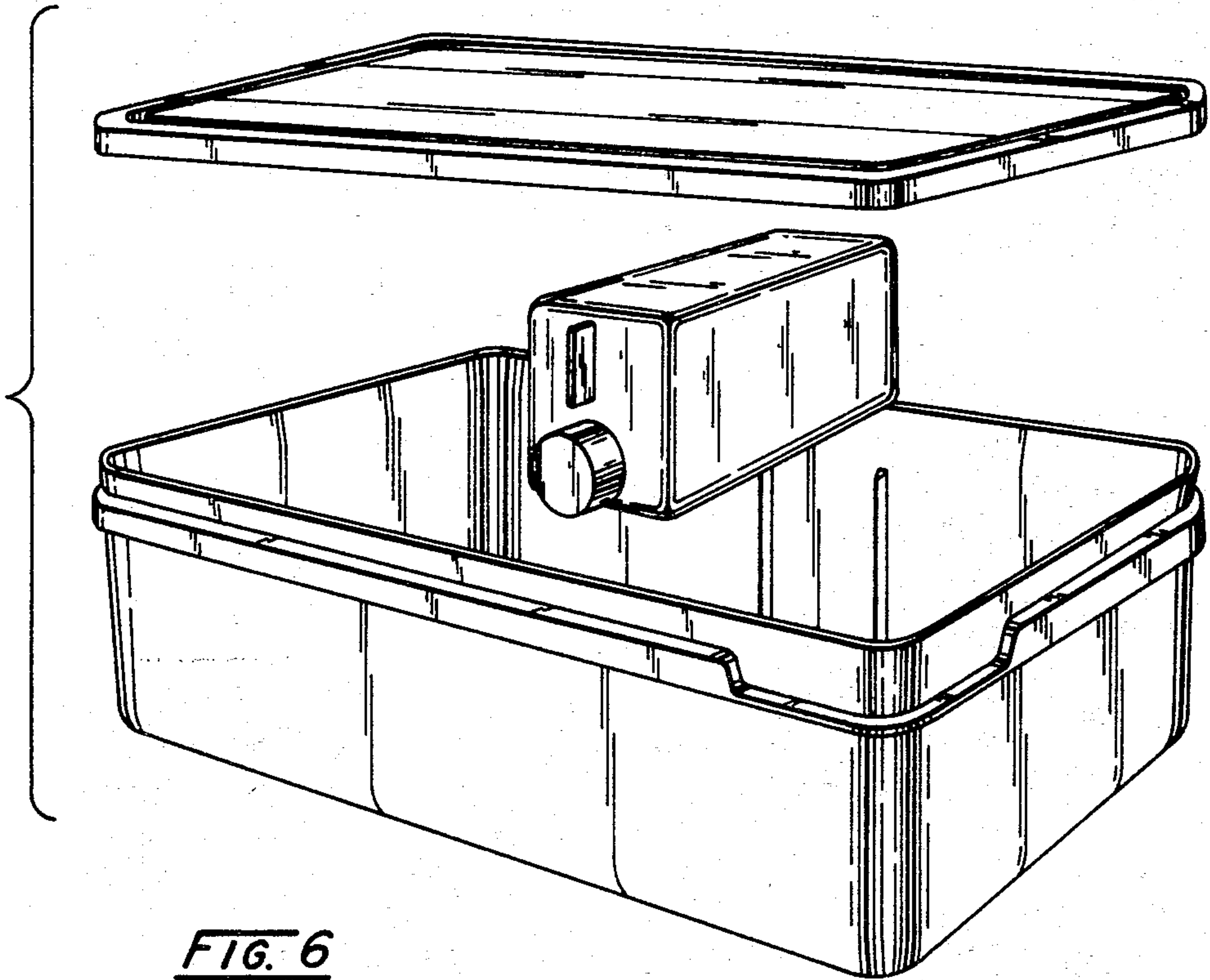


FIG. 6

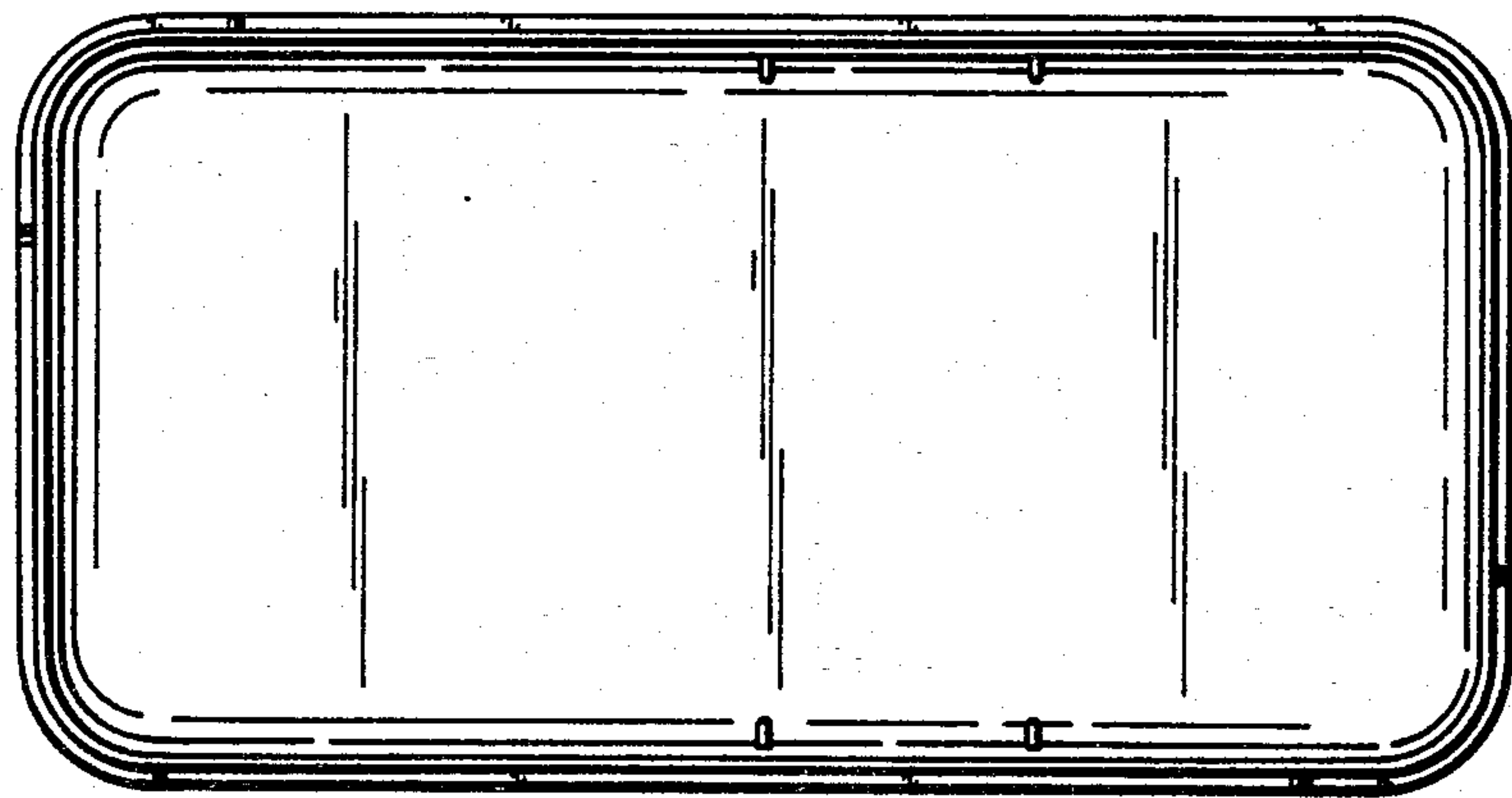


FIG. 7



FIG. 8

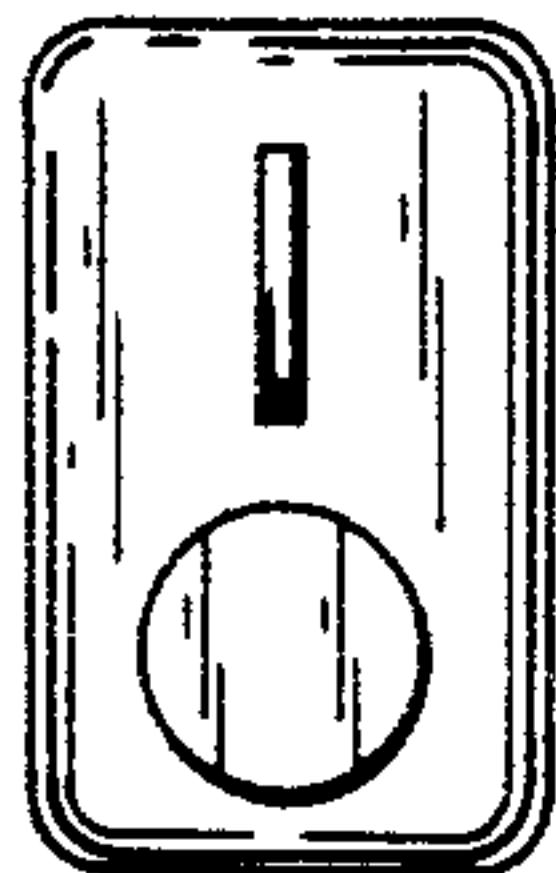


FIG. 10

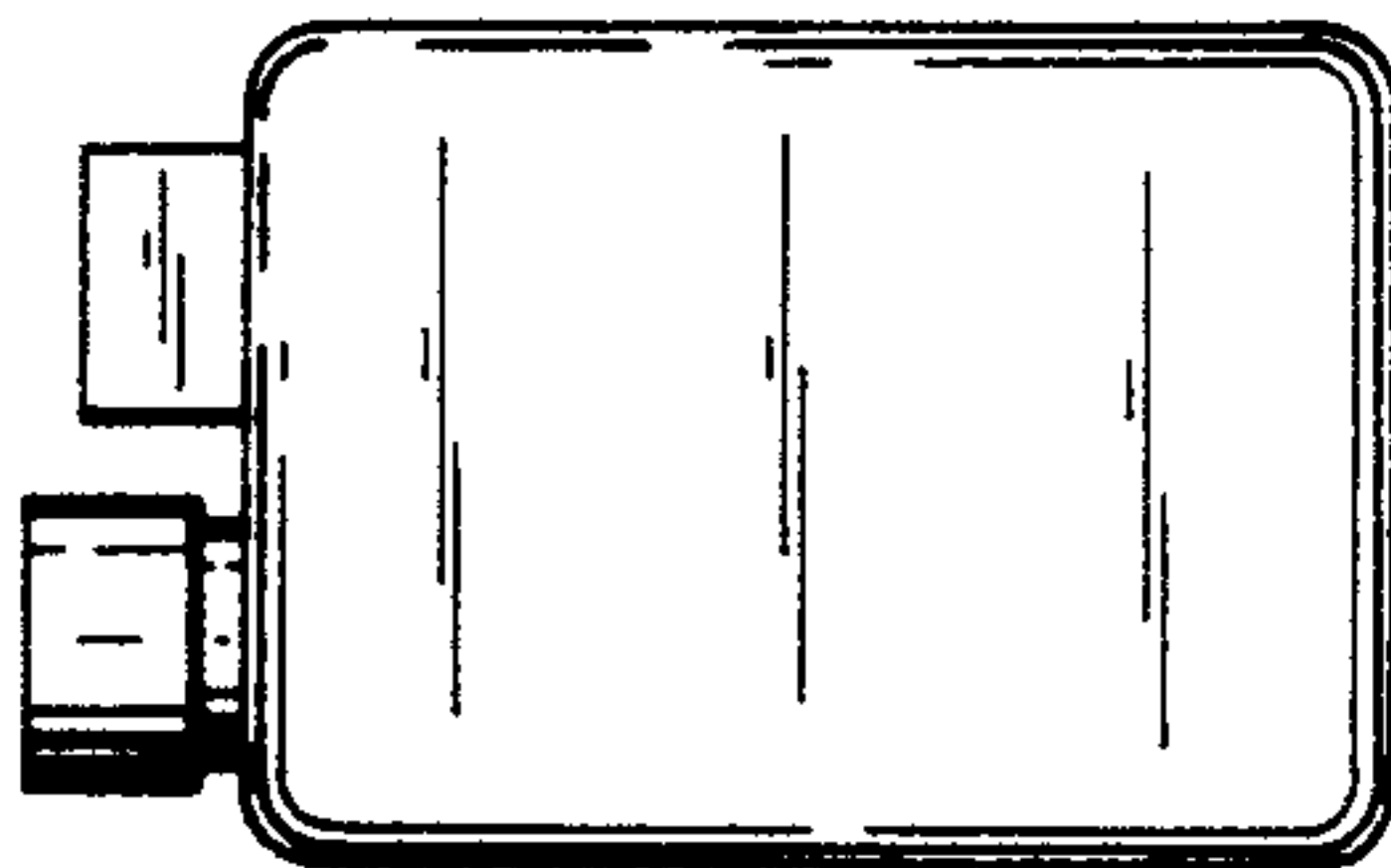


FIG. 9

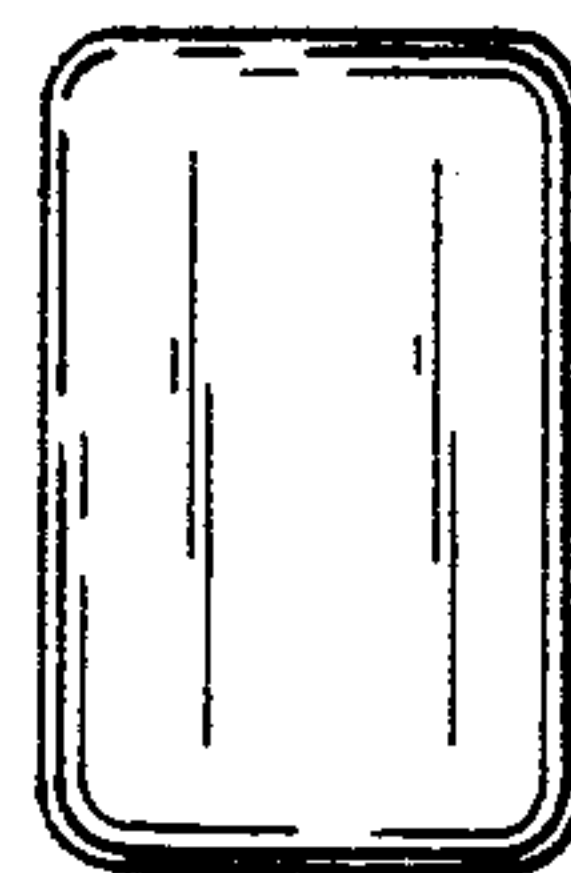


FIG. 11

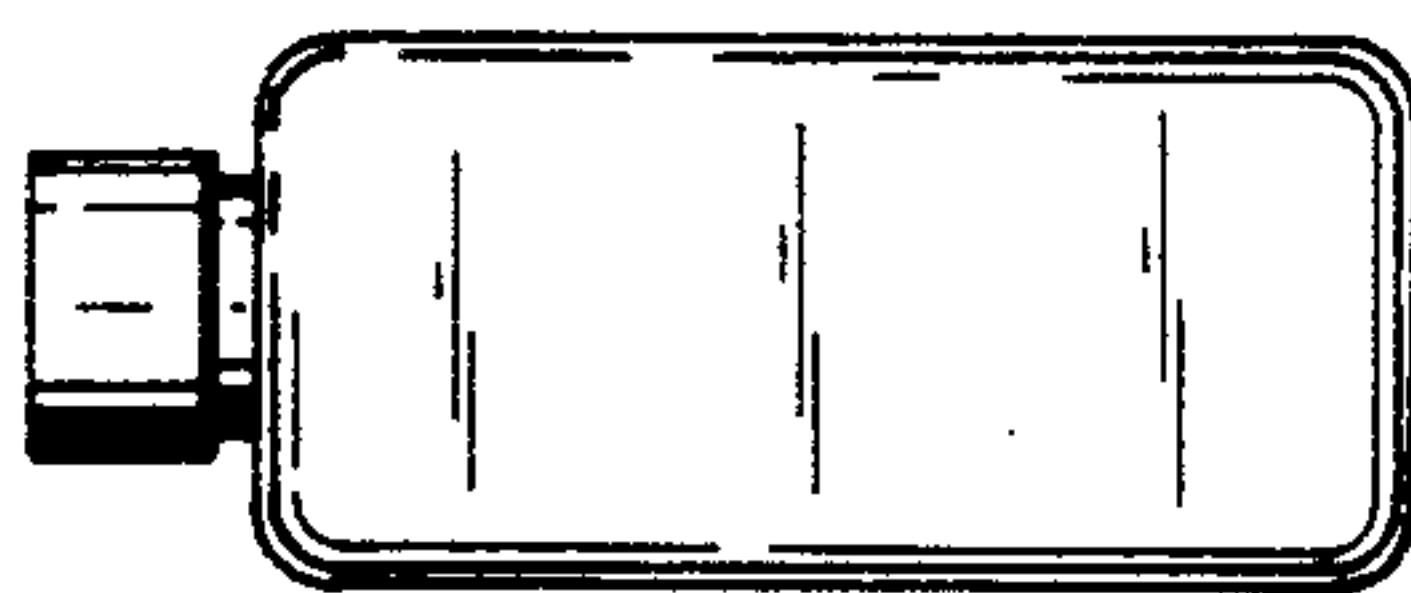


FIG. 12