

[54] CHIMNEY BRACE

[76] Inventor: Nathaniel J. Mahoney, 666 Central St., Franklin, N.H. 03235

[\*\*] Term: 14 Years

[21] Appl. No.: 556,385

[22] Filed: Nov. 30, 1983

[52] U.S. Cl. .... D8/366; D8/354

[58] Field of Search ..... D8/354, 363, 364, 366, D8/316; 98/58, 60; 248/219.1, 220.1, 300, 218.4, 219.4, 219.3, 65, 57, 201; 403/388; D23/152-154; 52/219

[56] References Cited

U.S. PATENT DOCUMENTS

- D. 257,941 1/1981 Reynoso .
- 717,592 1/1903 Melsha ..... 52/219
- 843,375 2/1907 Thompson .
- 900,663 10/1908 Callane ..... 403/388
- 1,042,085 10/1912 Clawson .
- 1,156,885 10/1915 Caine ..... 248/218.4
- 1,241,824 10/1917 Craven .
- 1,534,103 4/1925 Foss .
- 2,420,425 5/1947 Hardwick ..... 248/300
- 2,616,099 11/1952 Silvio ..... 248/300
- 2,648,326 8/1953 Epstein .
- 2,706,395 4/1955 McCrea .
- 3,004,740 10/1961 Lane .

- 3,332,650 7/1967 Judge .
- 3,388,881 6/1968 Anderson .
- 3,464,174 9/1969 Rosenberg .
- 3,602,468 8/1971 Stone .
- 4,408,742 10/1983 Korb ..... 248/201

OTHER PUBLICATIONS

Grammes Cat. No. 66; ©1941; p. 23; Pull No. 34103 (upper right corner).  
Sweet's Architectural Catalog File; 1982; Sec. 15.2a/-Van; p. 6; Rigid Corner Guying Bracket (lower left corner).

Primary Examiner—B. J. Bullock  
Attorney, Agent, or Firm—Lowe, King, Price & Becker

[57] CLAIM

The ornamental design for a chimney brace, as shown and described.

DESCRIPTION

FIG. 1 is a perspective view of a chimney brace showing my new design;  
FIG. 2 is a reduced front elevational view thereof;  
FIG. 3 is a reduced right side elevational view thereof;  
FIG. 4 is a reduced rear elevational view thereof;  
FIG. 5 is a reduced left side elevational view thereof;  
FIG. 6 is a still further reduced top plan view thereof, the chimney and outer wall being shown in broken lines for illustrative purposes only.

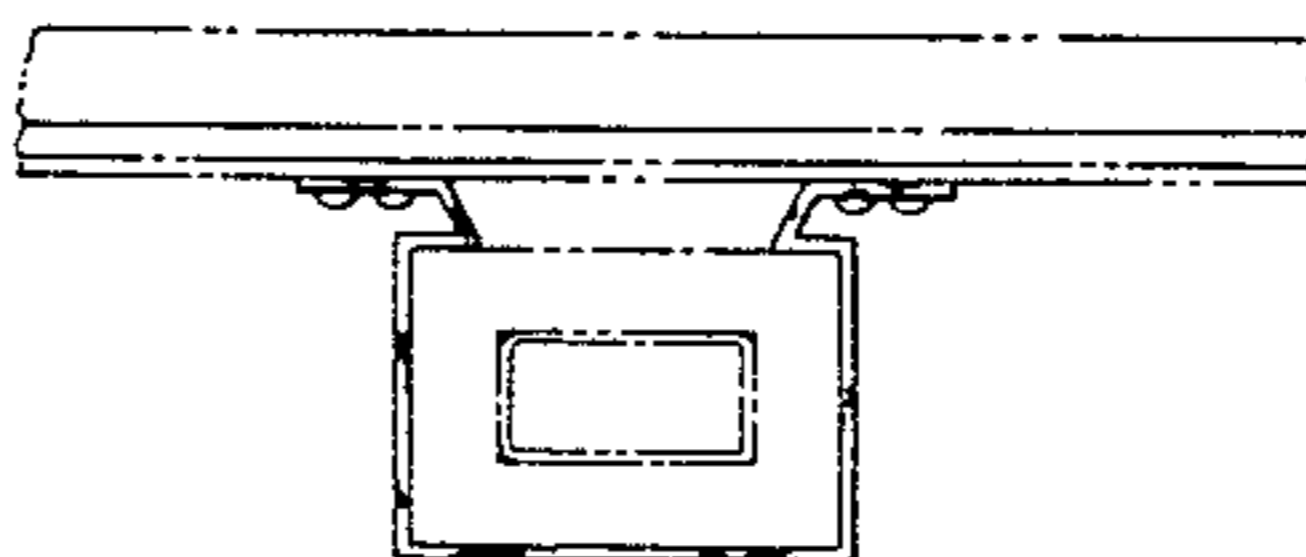
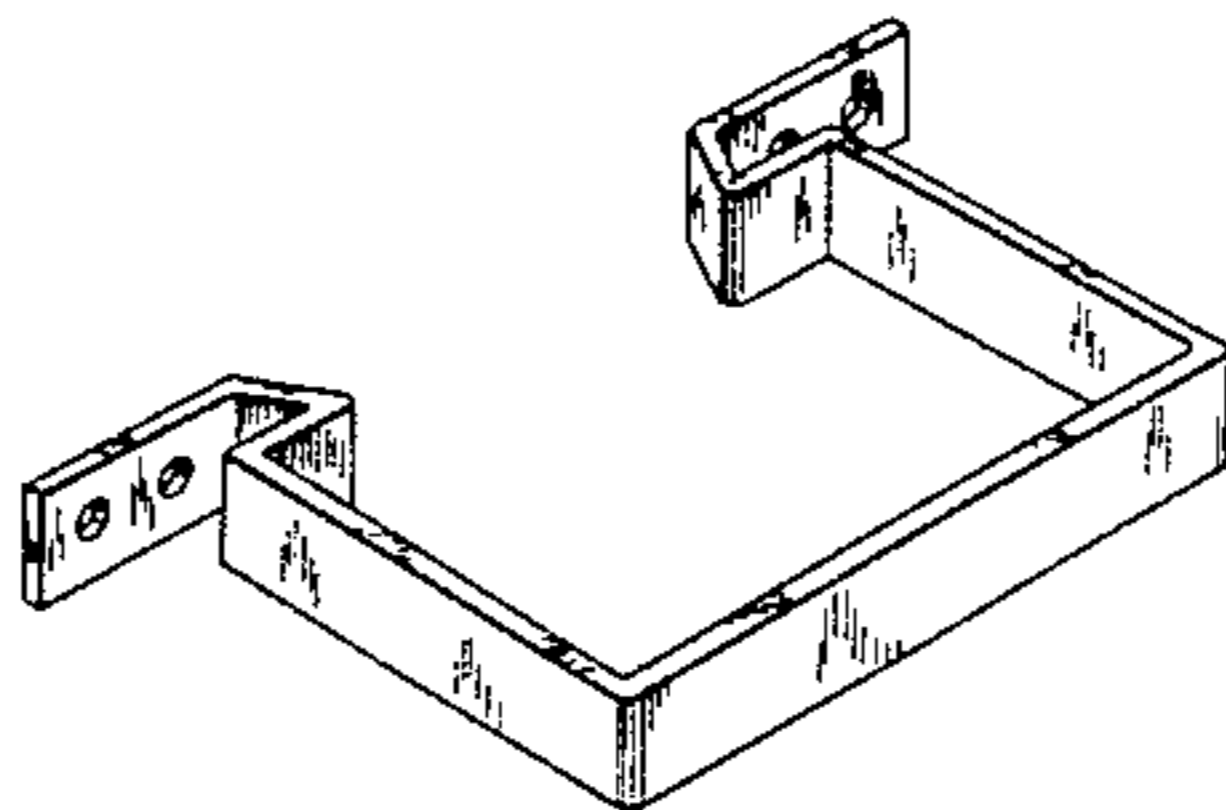


Fig. 1

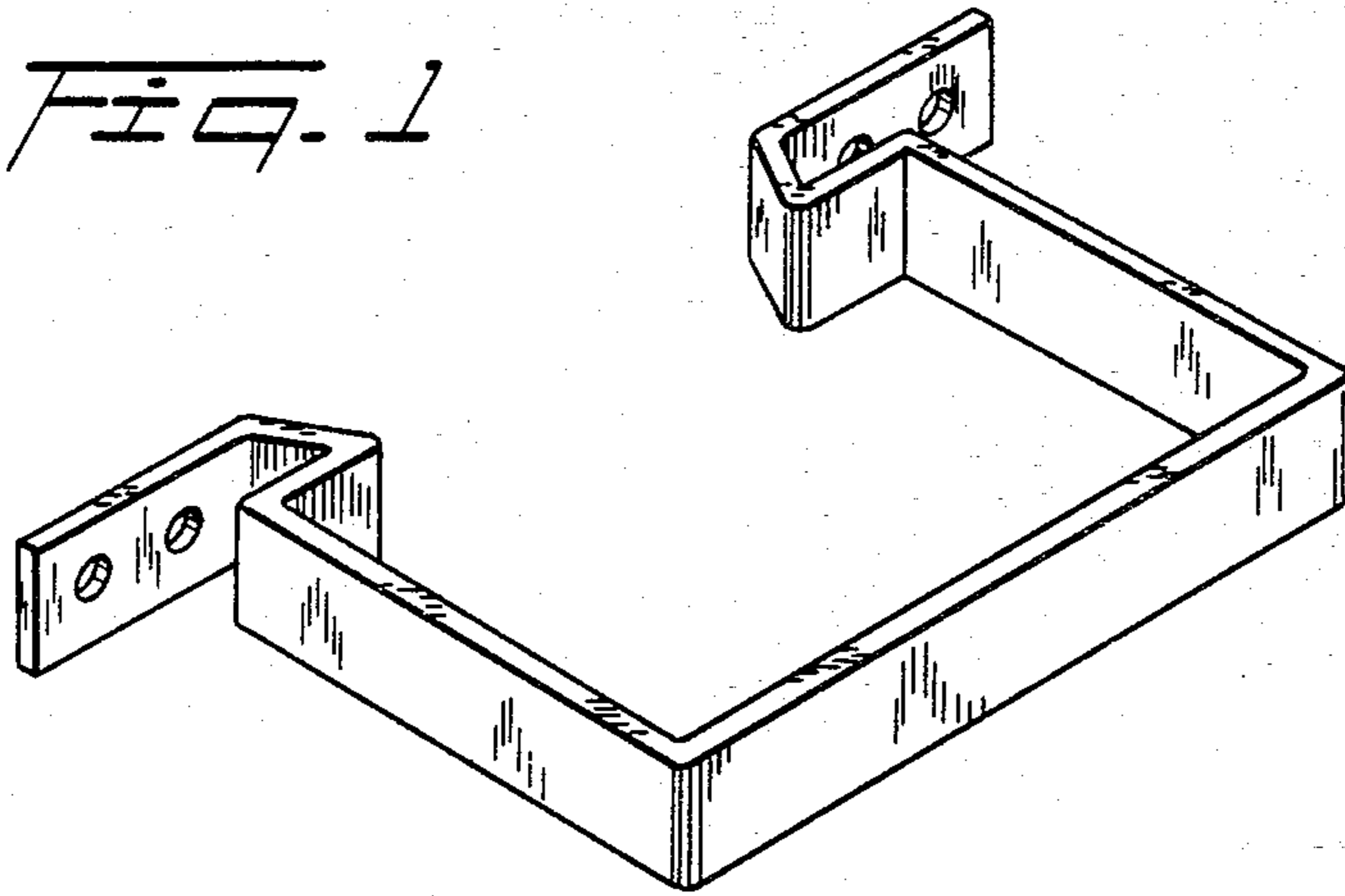


Fig. 2



Fig. 3



Fig. 4



Fig. 5

Fig. 6

