

United States Patent [19]

Salem et al.

[11] Patent Number: **Des. 285,408**

[45] Date of Patent: **** Sep. 2, 1986**

[54] **DUAL CUTTING DEVICE**

[76] Inventors: **Fred J. Salem; Geraldine Salem**, both of 907 Brandywine Cir., Atlanta, Ga. 30338

[**] Term: **14 Years**

[21] Appl. No.: **500,453**

[22] Filed: **Jun. 2, 1983**

[52] U.S. Cl. **D8/98**

[58] Field of Search D8/98, 99; 30/300, 310, 30/307

1,537,376	5/1925	Prosser	30/300 X
2,089,881	10/1936	Dohring	.	
2,778,108	1/1957	Welsh	30/300
3,174,225	3/1965	Abraham	30/307 X
4,156,968	6/1979	Gould et al.	30/307
4,459,747	7/1984	Salem et al.	30/307

Primary Examiner—Susan J. Lucas
Attorney, Agent, or Firm—Jones & Askew

[57] **CLAIM**

The ornamental design for a dual cutting device, substantially as shown.

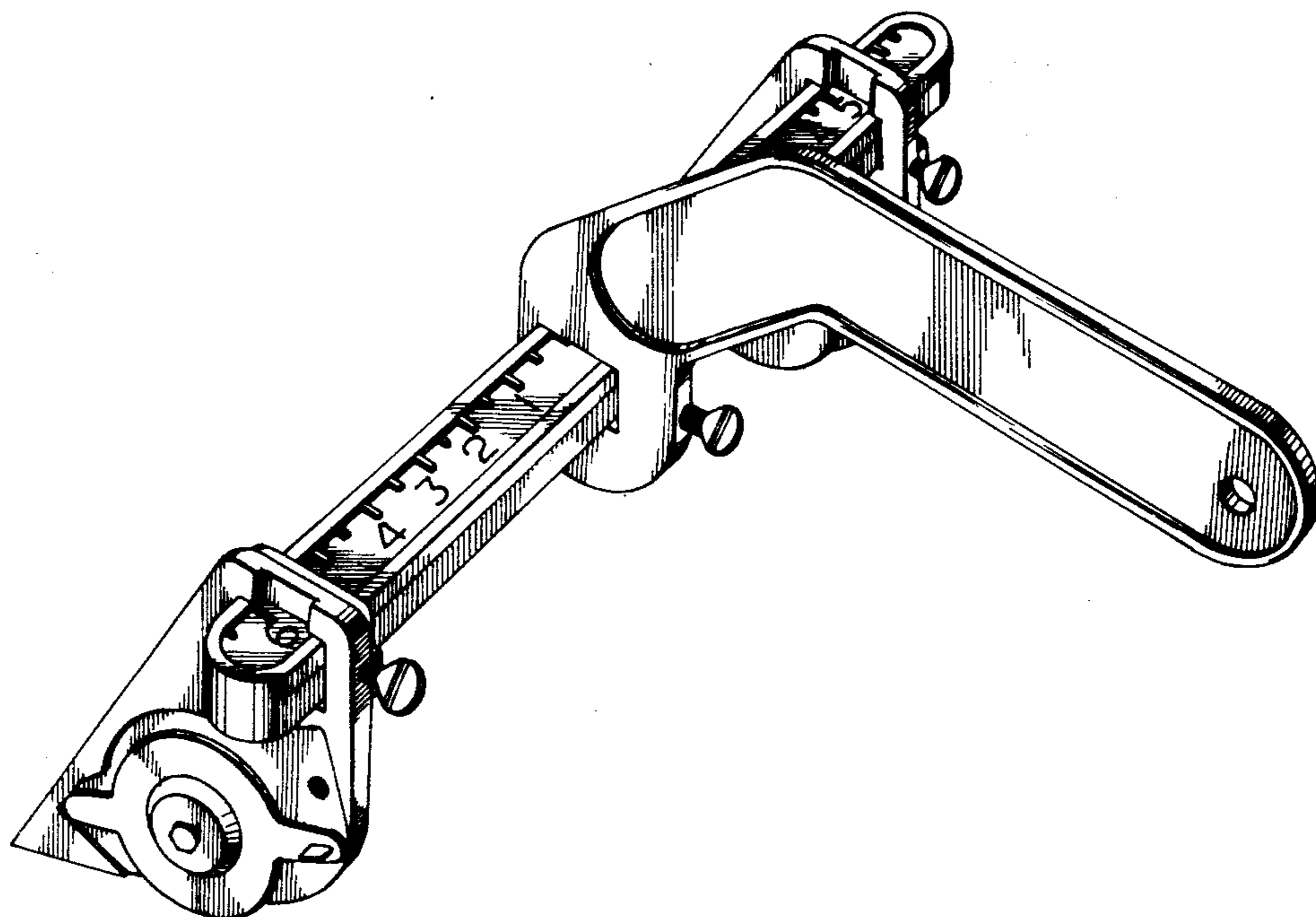
DESCRIPTION

FIG. 1 is a perspective view of a dual cutting device showing our new design;
FIG. 2 is a top view thereof;
FIG. 3 is a bottom view thereof;
FIG. 4 is a left side view thereof;
FIG. 5 is a right side view thereof;
FIG. 6 is a front view thereof; and
FIG. 7 is a rear view thereof.

[56] **References Cited**

U.S. PATENT DOCUMENTS

D. 116,018	8/1939	Cathcard	D8/98
143,681	10/1873	Emery	.	
690,489	1/1902	Vander Wee	.	
714,729	12/1902	Millhiser	.	
1,301,875	4/1919	Prosser	30/300
1,362,174	12/1920	Mosovsky	.	



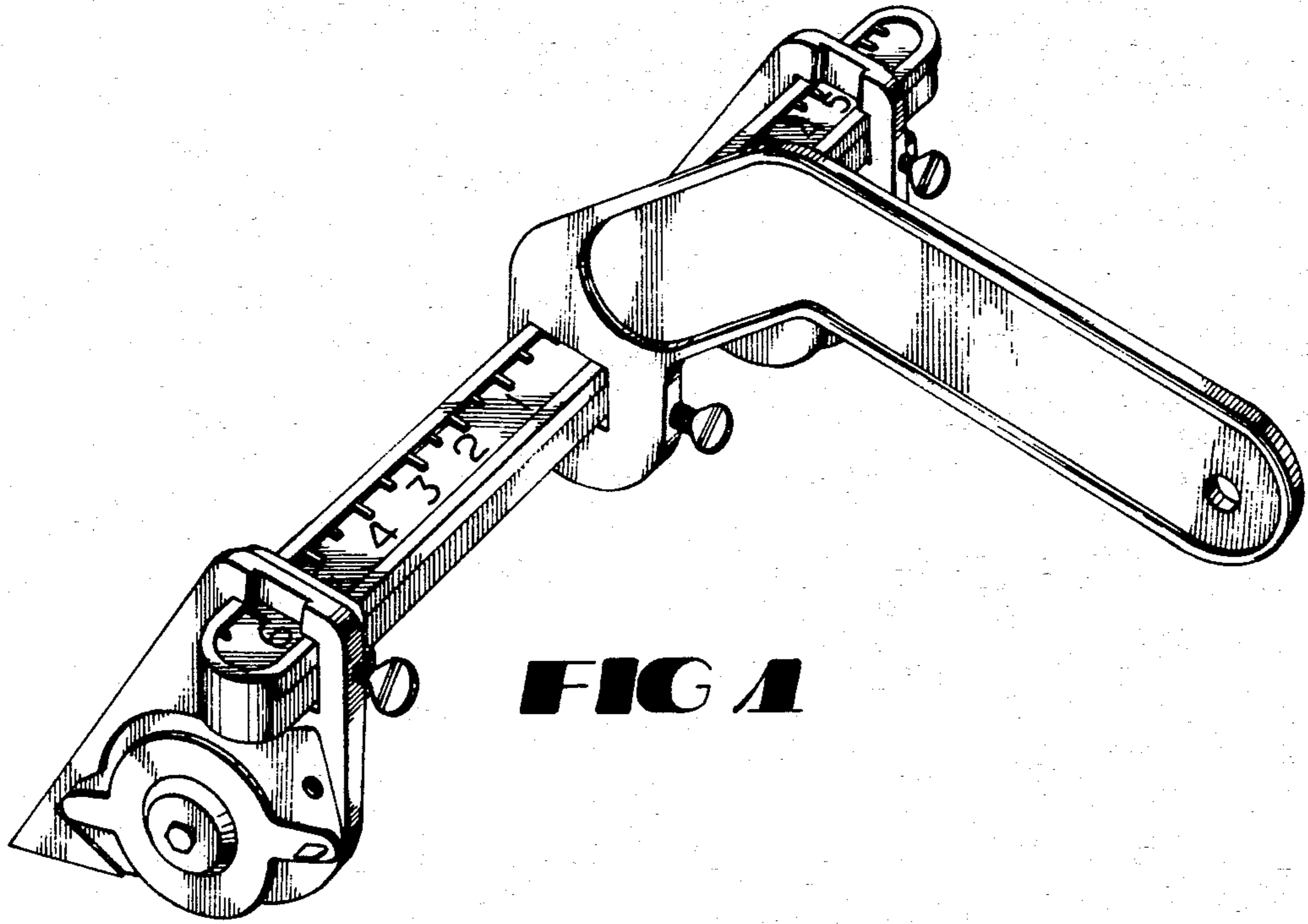


FIG 1

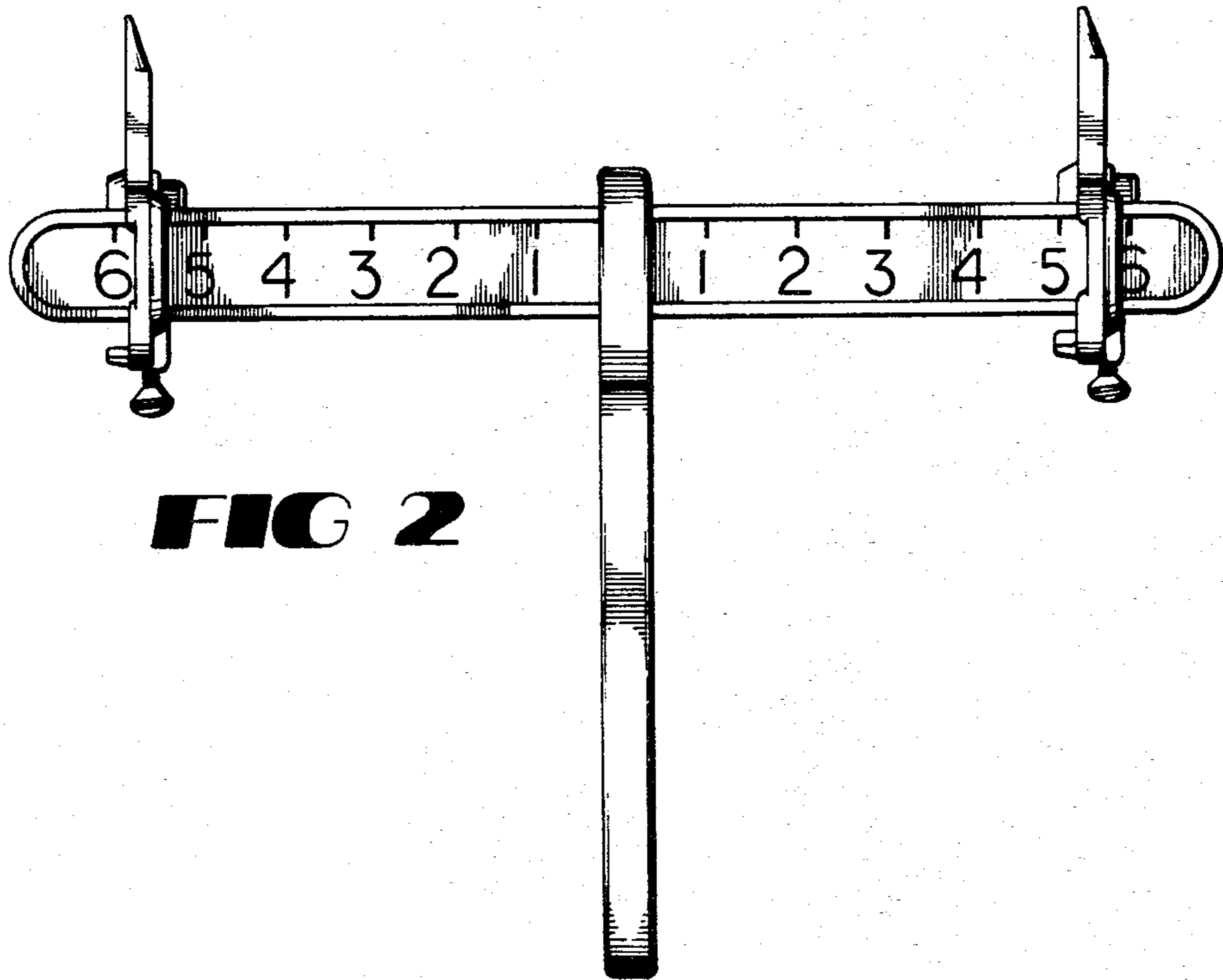


FIG 2

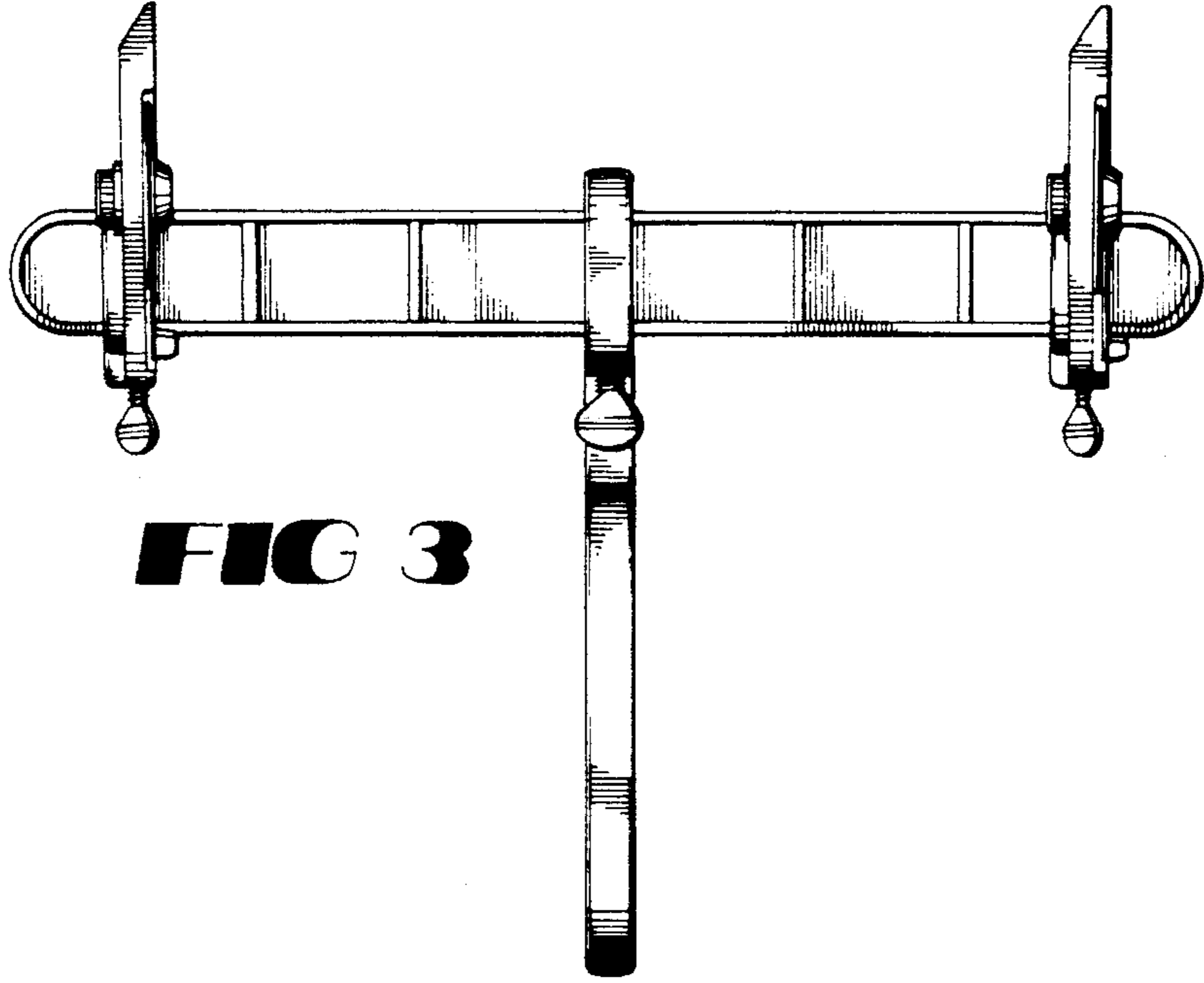


FIG 3

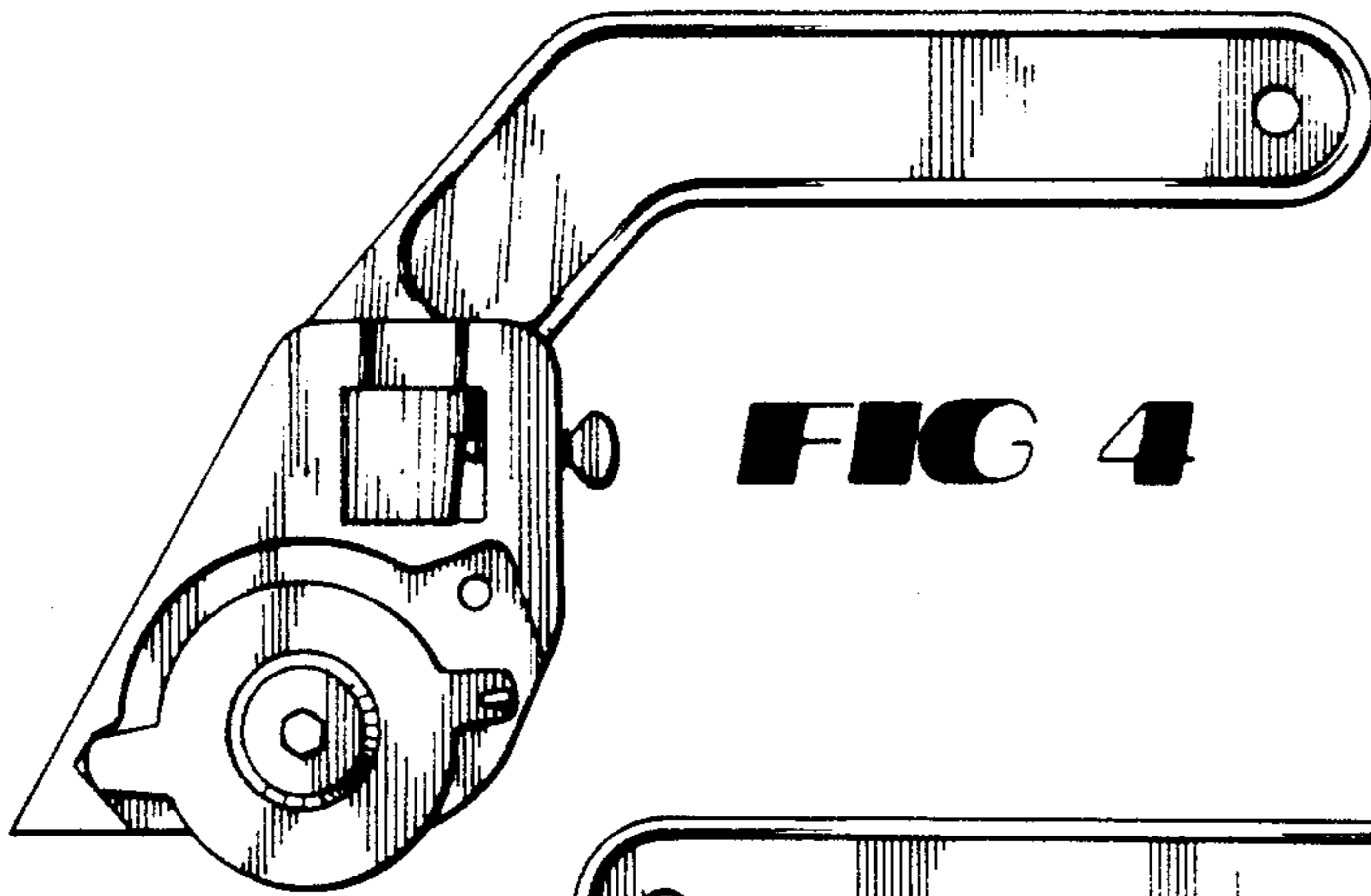


FIG 4

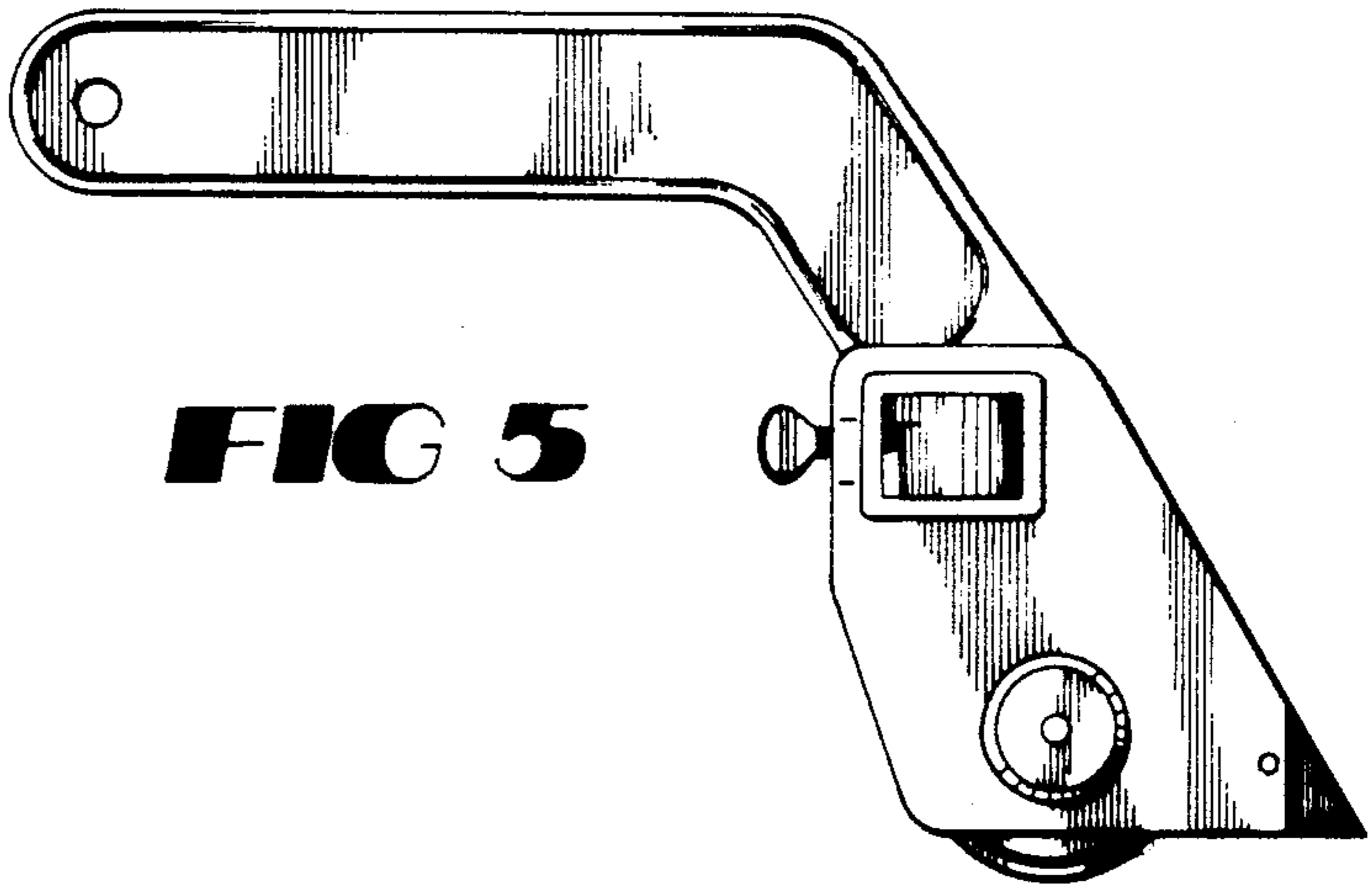


FIG 5

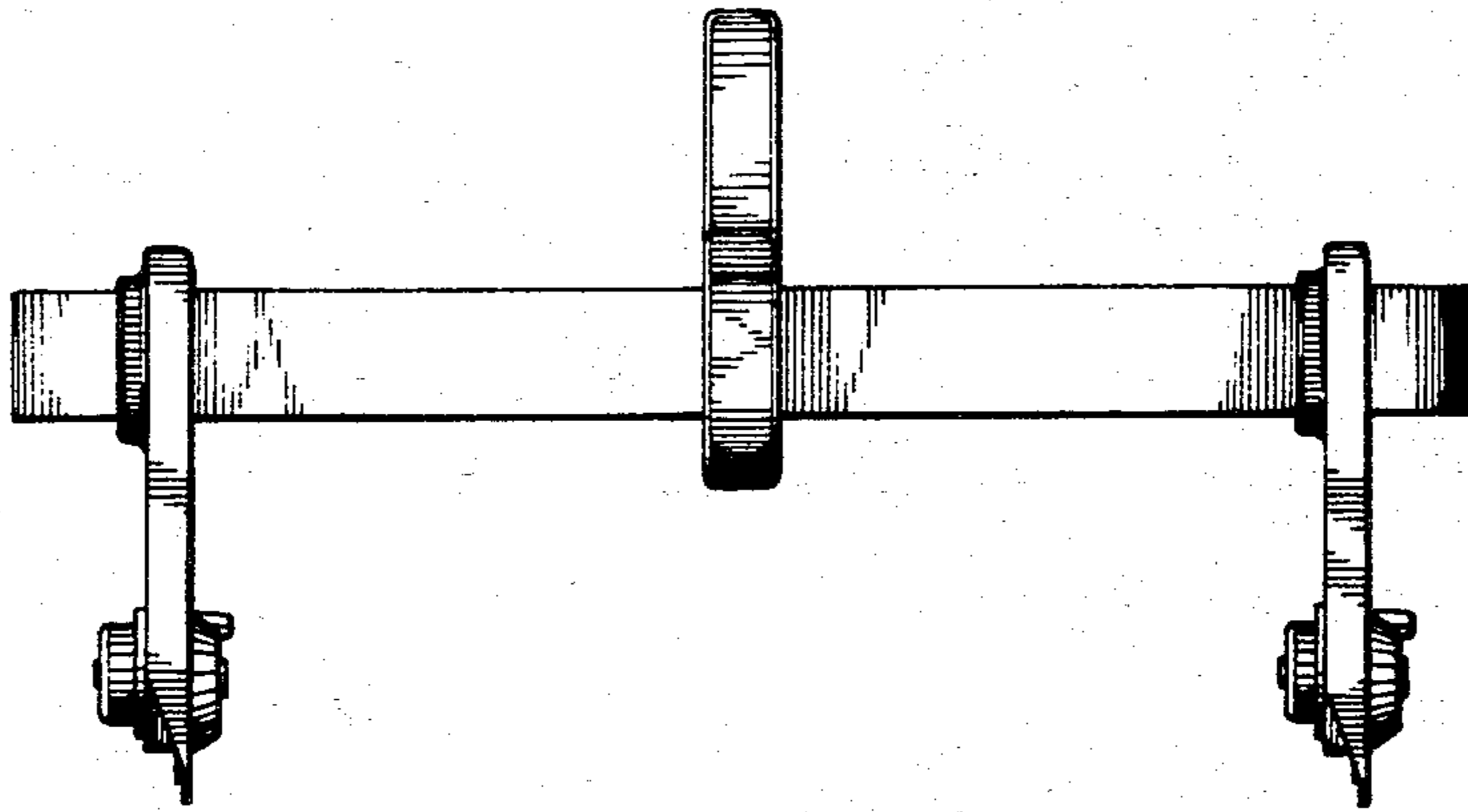


FIG 6

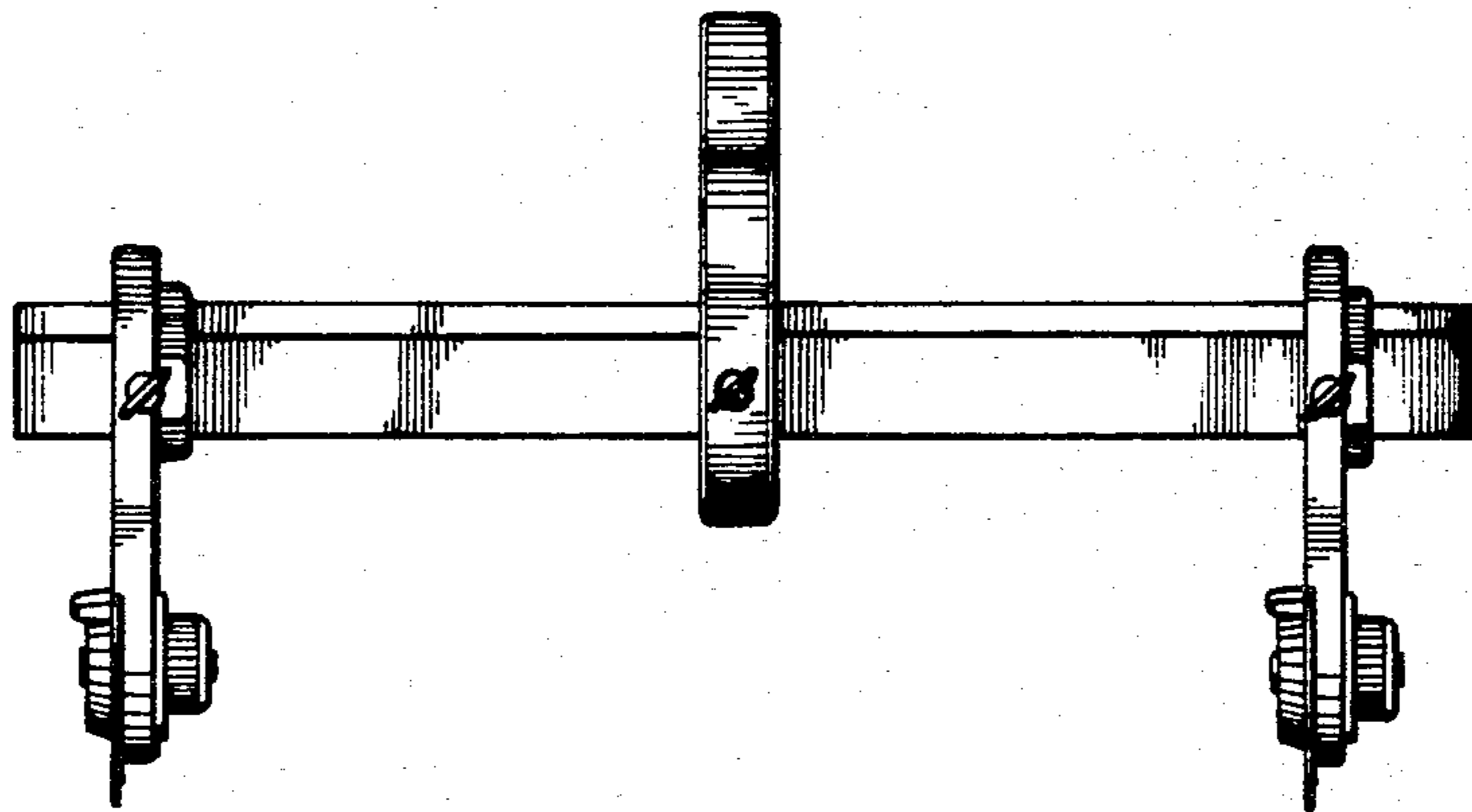


FIG 7