

# United States Patent [19]

Clivio et al.

[11] Patent Number: **Des. 285,407**

[45] Date of Patent: **\*\* Sep. 2, 1986**

[54] **GRASS-SHEAR**

[75] Inventors: **Franco Clivio**, Zürich, Switzerland;  
**Dieter Raffler**, Neu-Ulm, Austria

[73] Assignee: **Gardena Kress & Kastner GmbH**,  
Fed. Rep. of Germany

[\*\*] Term: **14 Years**

[21] Appl. No.: **585,771**

[22] Filed: **Mar. 2, 1984**

[30] **Foreign Application Priority Data**

Sep. 6, 1983 [DE] Fed. Rep. of  
Germany ..... GRAIII1639/83

[52] U.S. Cl. .... **D8/5**

[58] Field of Search ..... D8/1, 4-8;  
D22/4-5; 30/185-186, 241, 236, 244, 246,  
248-252, 254, 257, 261

[56] **References Cited**

## U.S. PATENT DOCUMENTS

D. 203,269 12/1965 Beinert ..... D8/5  
2,864,164 12/1958 Wallace ..... D8/5  
3,323,210 6/1967 Dorney ..... 30/248  
3,325,896 6/1967 D'Angelo et al. .... 30/248

4,069,584 1/1978 Germain ..... 30/248 X

## FOREIGN PATENT DOCUMENTS

1212342 3/1966 Fed. Rep. of Germany .  
1264992 3/1968 Fed. Rep. of Germany ..... 30/327  
1414805 9/1965 France ..... 30/248

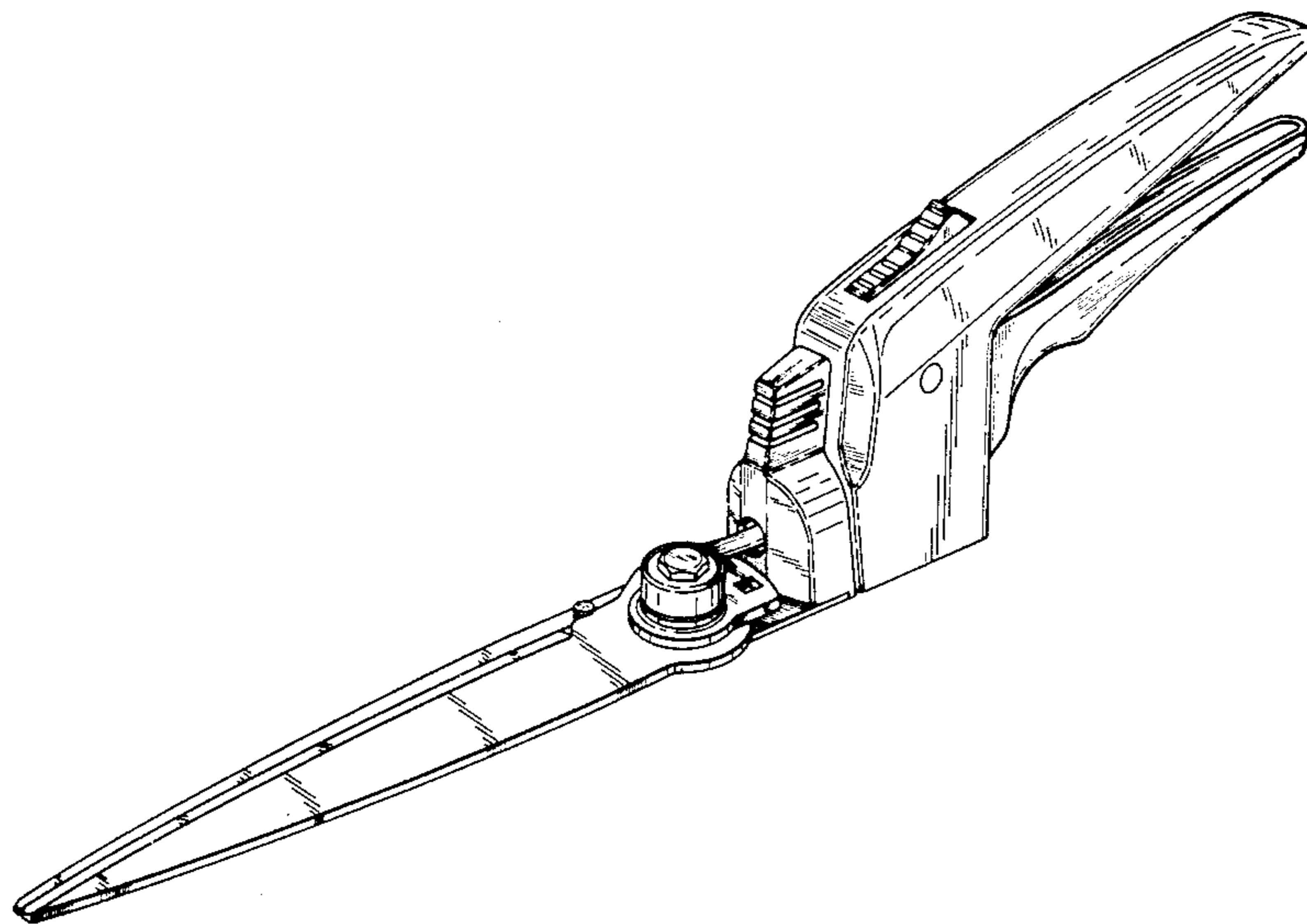
*Primary Examiner*—James R. Largen  
*Assistant Examiner*—Brian N. Vinson  
*Attorney, Agent, or Firm*—Steele, Gould & Fried

[57] **CLAIM**

The ornamental design for a grass-shear, as shown and described.

## DESCRIPTION

FIG. 1 is a perspective view of a grass-shear showing our new design;  
FIG. 2 is a top plan view thereof;  
FIG. 3 is a left side elevation thereof;  
FIG. 4 is a right side elevation thereof;  
FIG. 5 is a bottom plan view thereof;  
FIG. 6 is a rear elevation thereof;  
FIG. 7 is a front elevation thereof; and  
FIG. 8 is a left side elevation thereof, with the shear blades rotated ninety degrees from the position shown in FIG. 3.



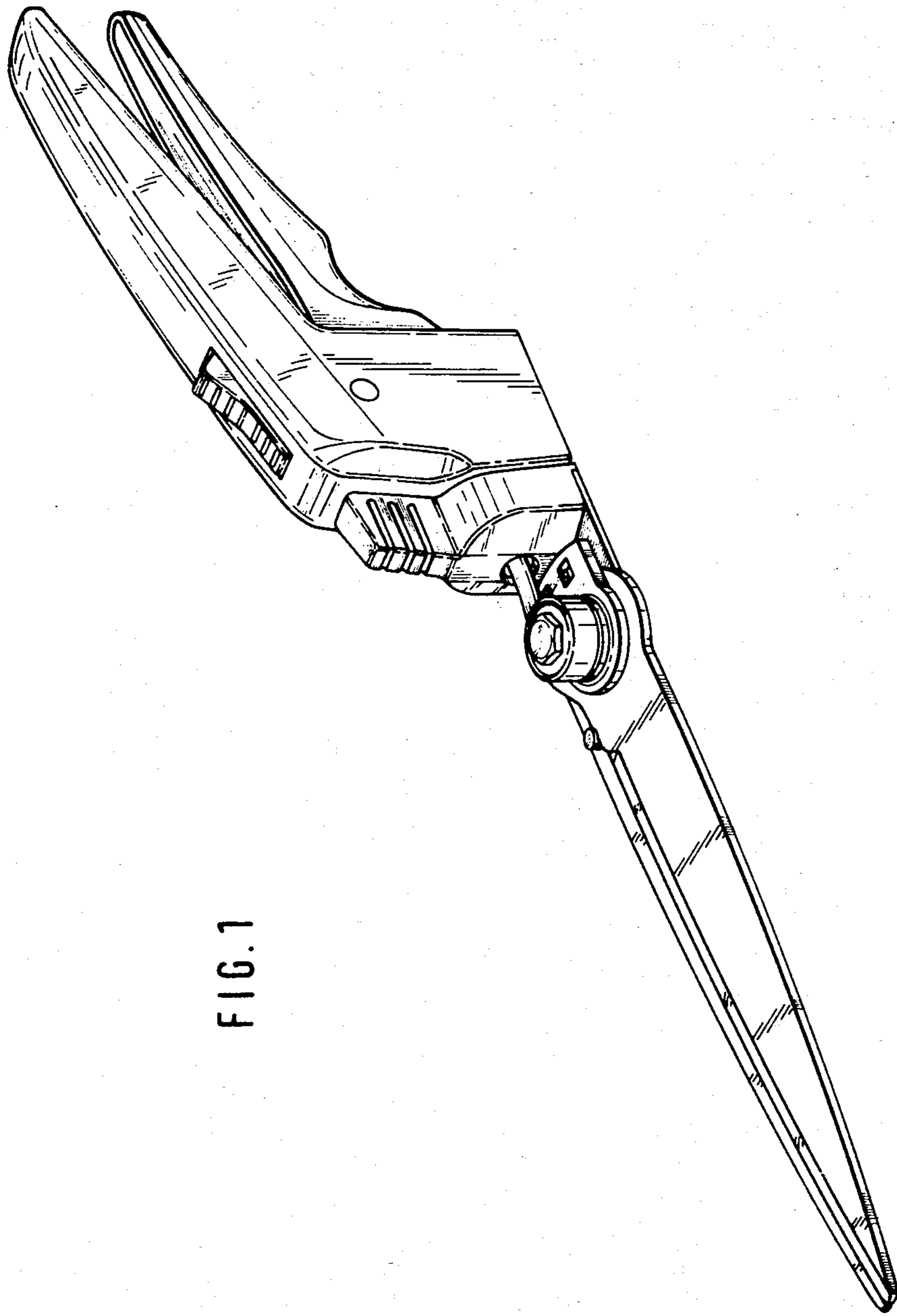


FIG. 1

FIG. 2

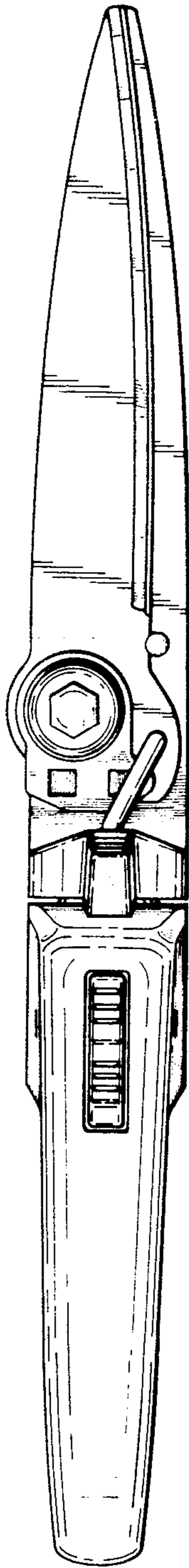


FIG. 3

