

[54] FOOD MIXER

[76] Inventor: Mal-Fu Wang, 41-48 75th St., Apt. 2-R, Elmhurst, N.Y. 11373

[**] Term: 14 Years

[21] Appl. No.: 571,332

[22] Filed: Jan. 16, 1984

[52] U.S. Cl. D7/377

[58] Field of Search D7/377, 376, 51; D15/19; 219/390, 389; 366/220

[56] References Cited

U.S. PATENT DOCUMENTS

D. 113,365	2/1939	Parks	D15/19
D. 185,844	8/1959	Yager	366/220 X
D. 235,371	6/1975	Ponkey et al.	D15/19
D. 246,715	12/1977	Clement	D15/19
43,423	7/1864	Murphy	366/220
D. 278,150	3/1985	Burenga	D15/19

200,997	3/1878	Farmer	366/220
1,377,592	5/1921	Kuhlemeier et al.	219/389 X
1,496,992	6/1924	Maclellan	366/220
4,173,925	11/1979	Leon	219/389 X

Primary Examiner—Bernard Ansher
Assistant Examiner—Linda Titolo
Attorney, Agent, or Firm—Richard L. Miller

[57] CLAIM

The ornamental design for a food mixer, as shown and described.

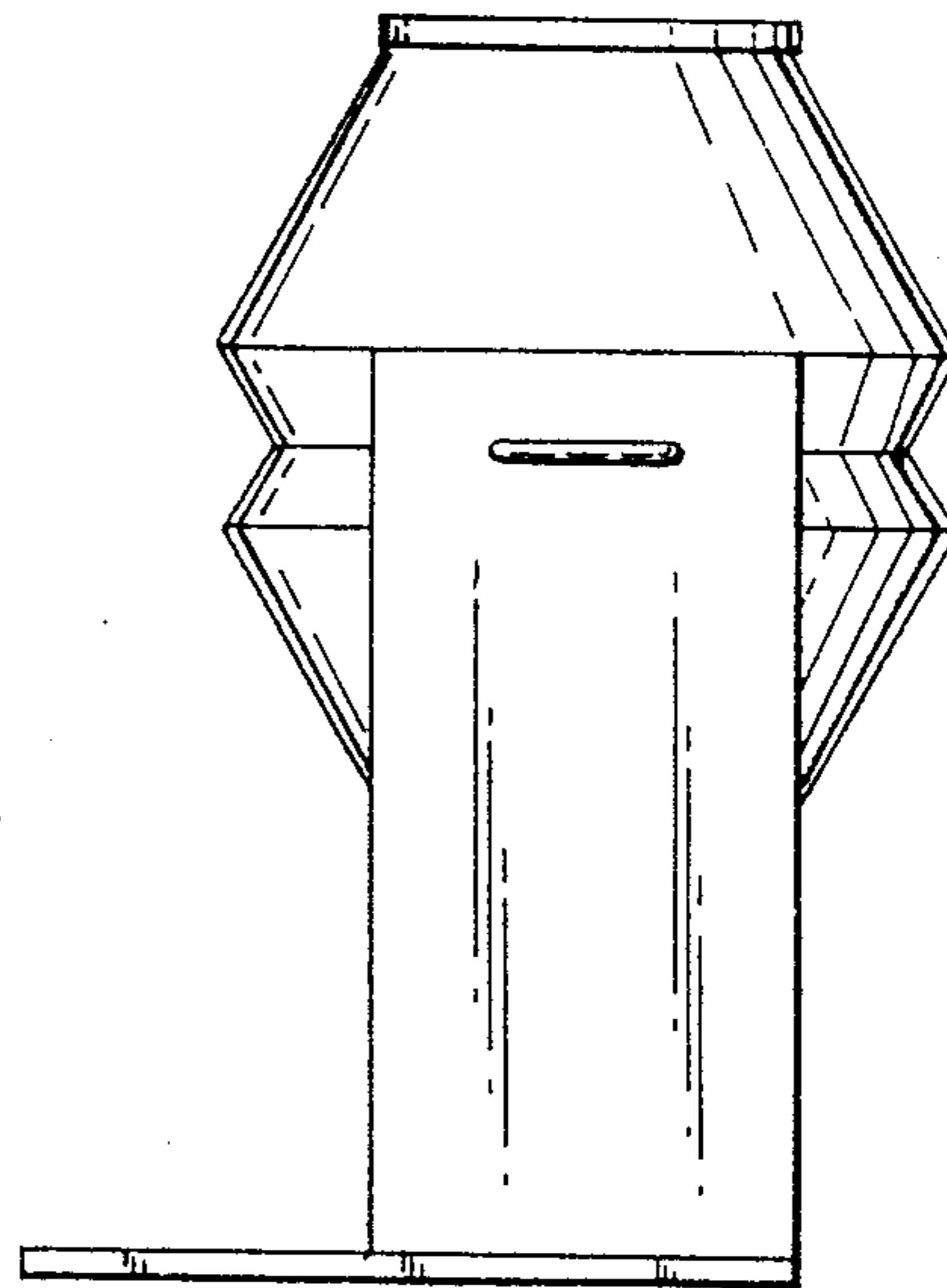
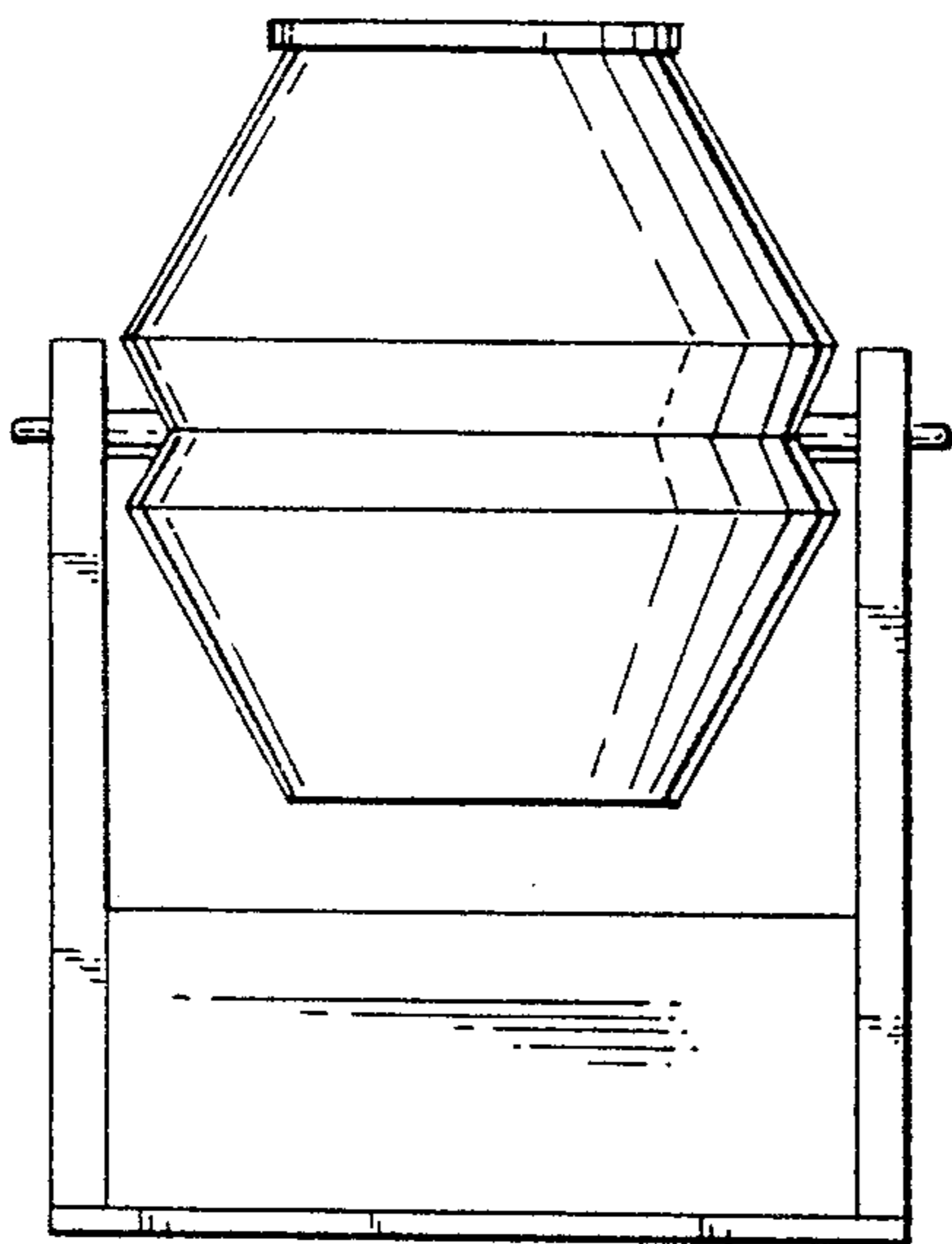
DESCRIPTION

FIG. 1 is a top plan view of a food mixer showing my new design;

FIG. 2 is a front elevational view thereof, the rear view being substantially a mirror image thereof;

FIG. 3 is a right side elevational view thereof, the left side being substantially a mirror image thereof; and

FIG. 4 is a bottom plan view thereof.



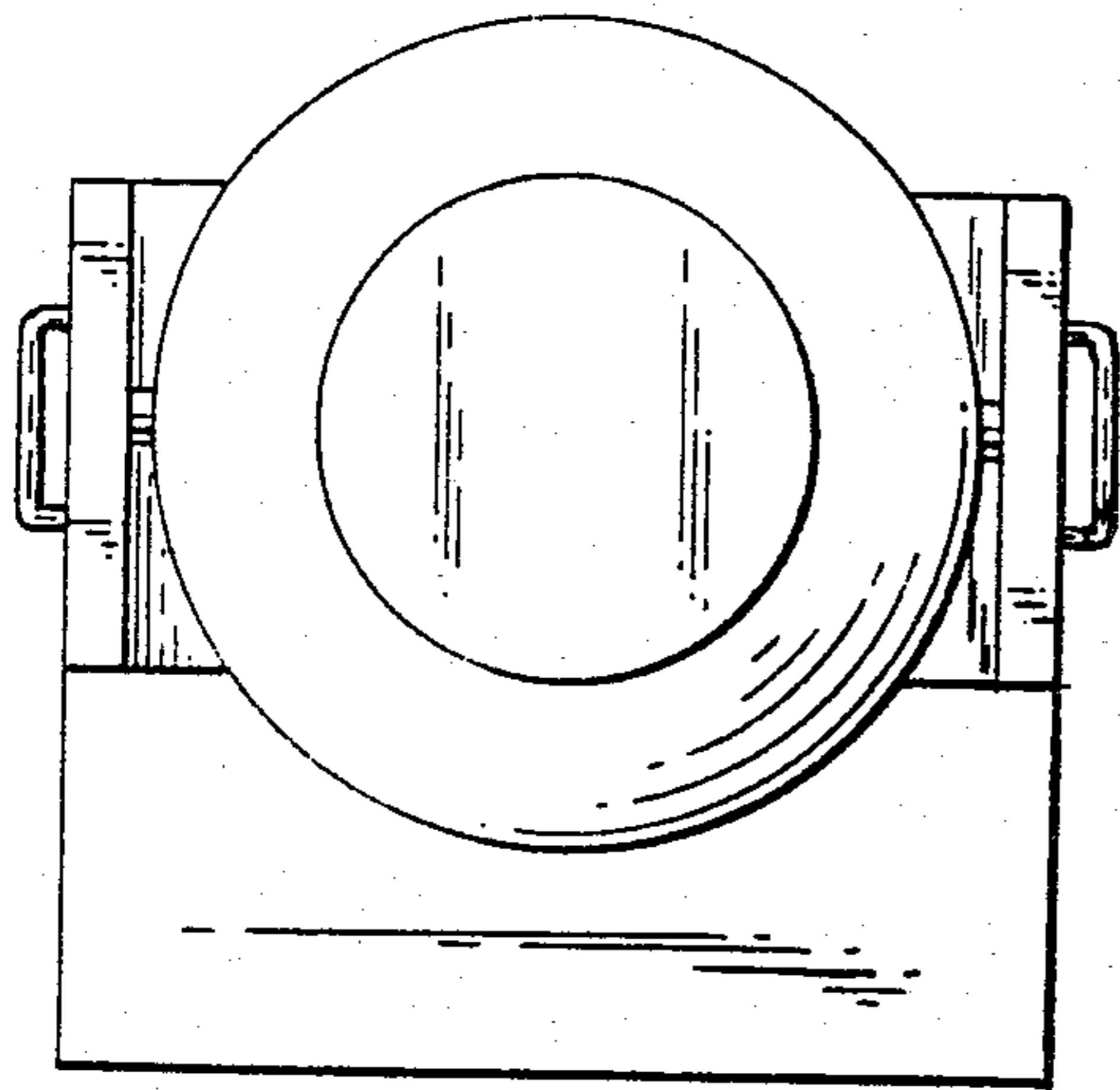


Fig. 1

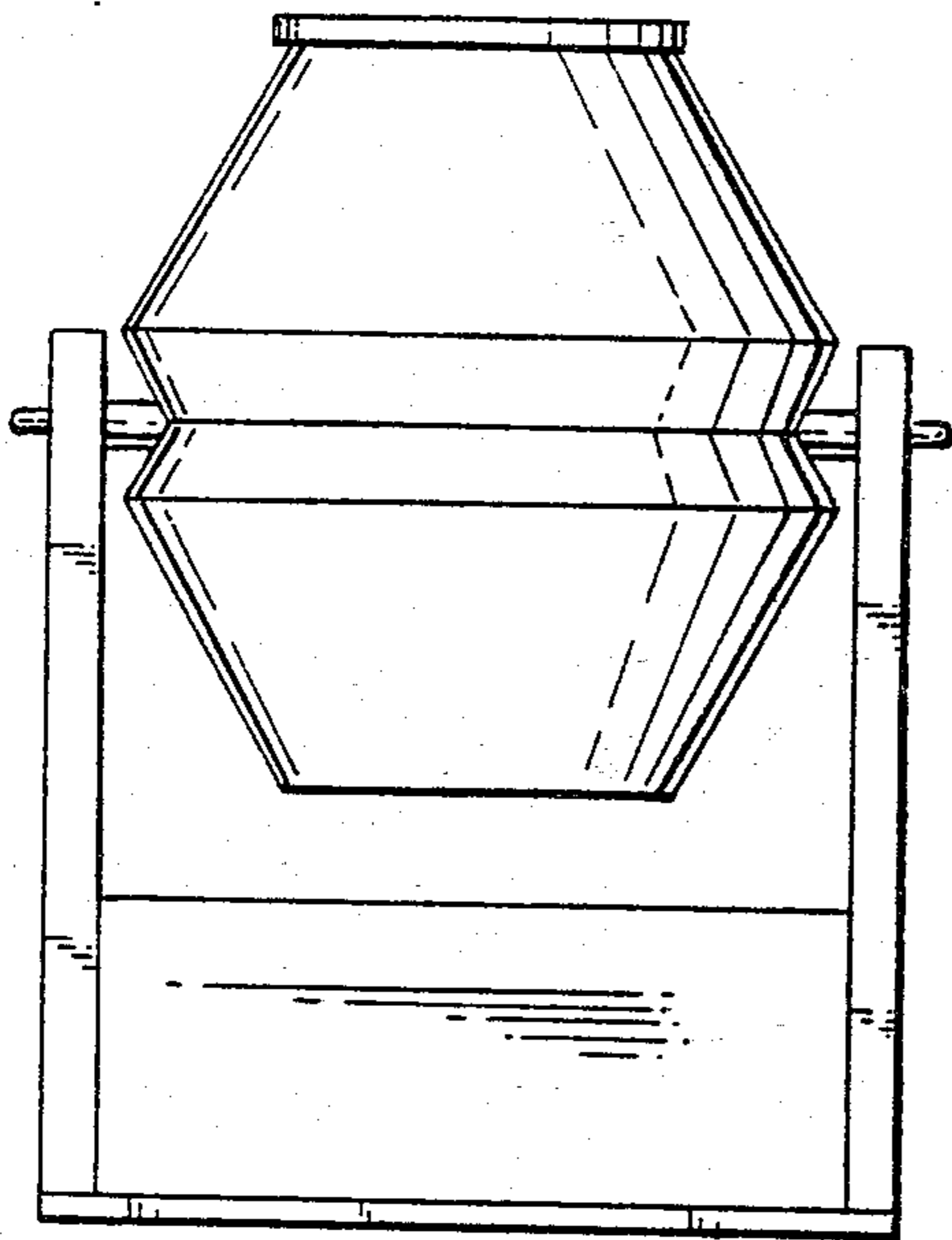


Fig. 2

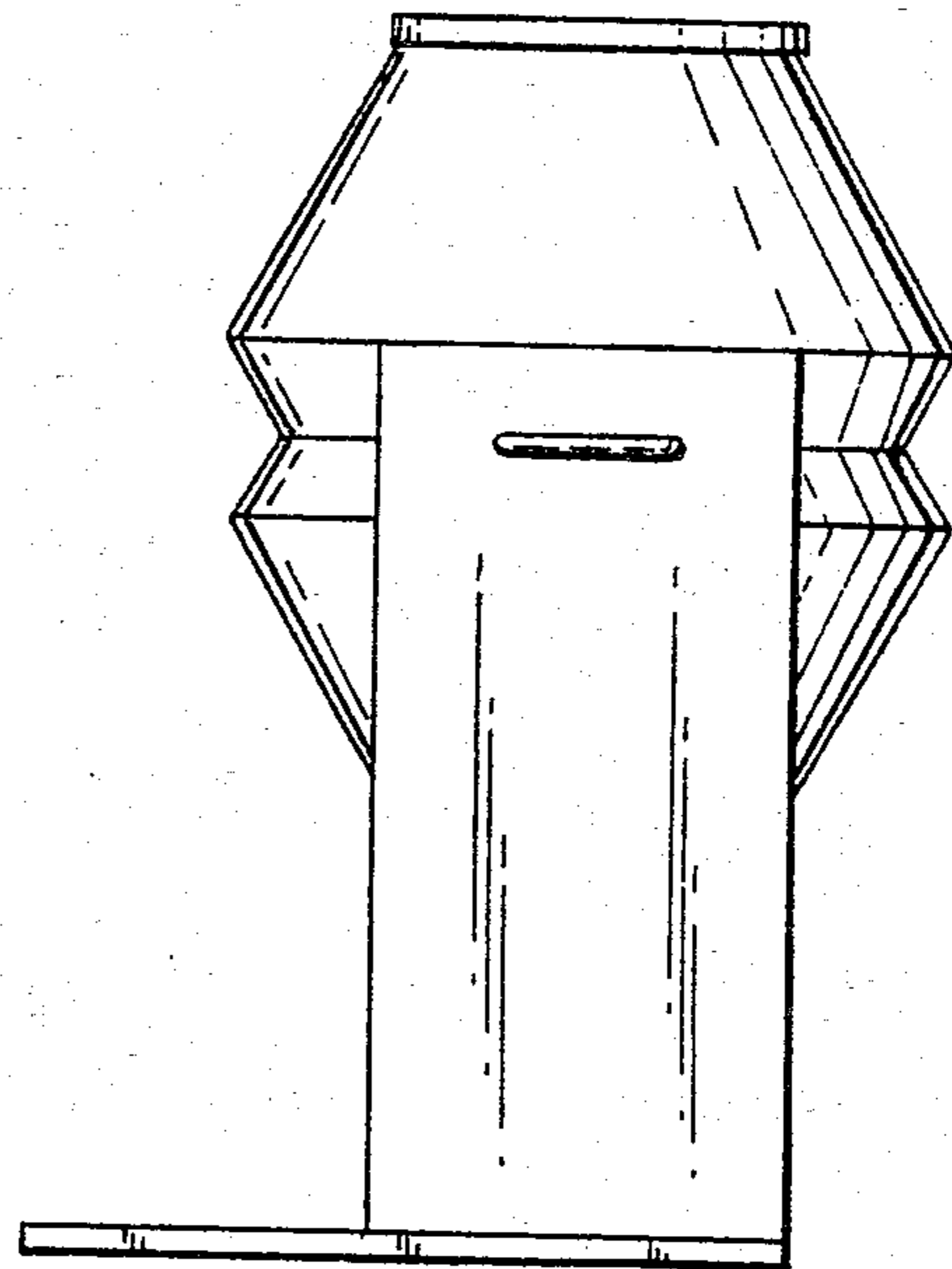


Fig. 3

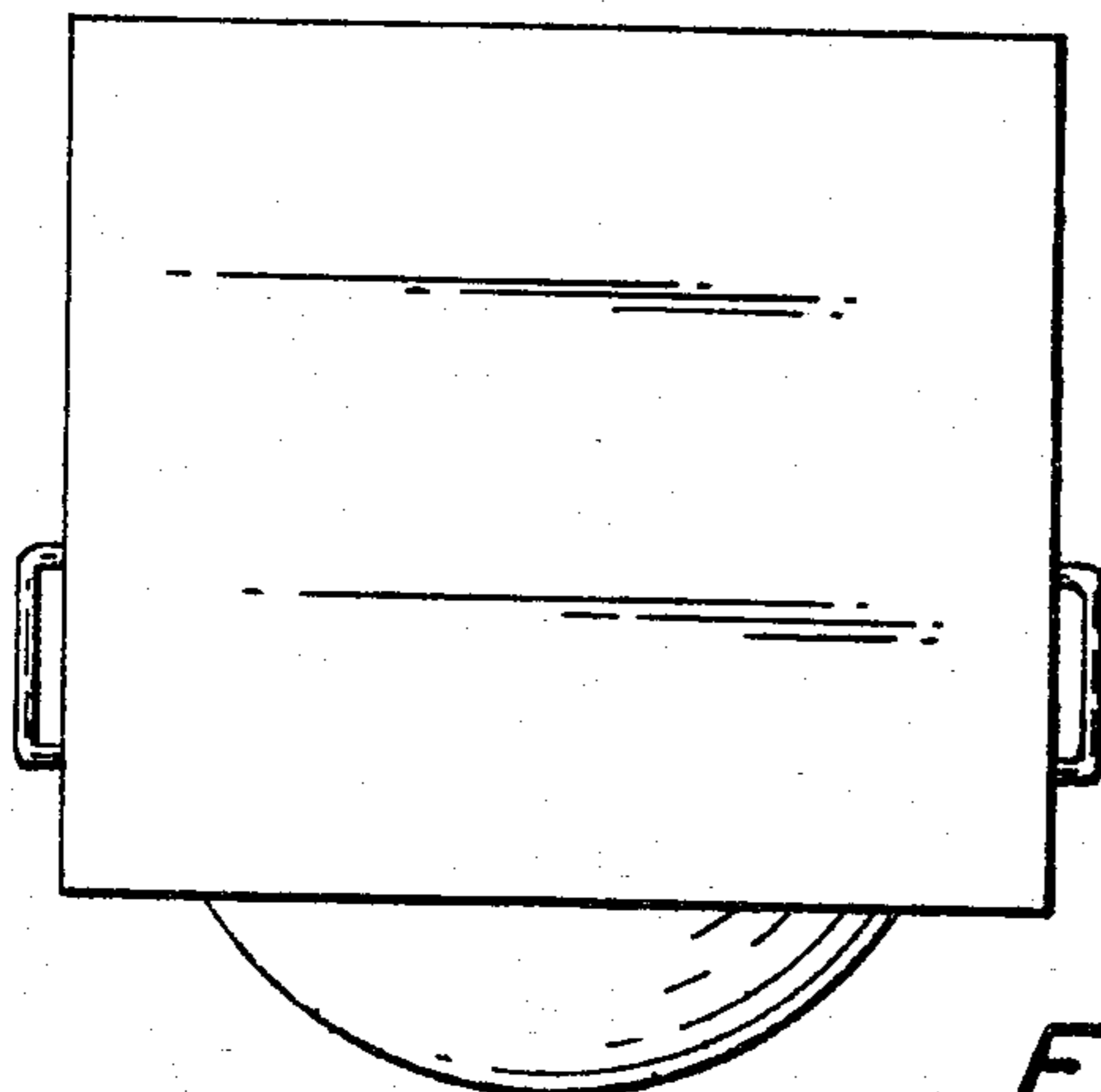


Fig. 4