

[54] PORTABLE COOKING GRILL

[76] Inventors: Steve Hamill, Rte. 1, Box 579B; Arthur A. Knight, 709 E. Mescalero Rd., both of Roswell, N. Mex. 88201

[**] Term: 14 Years

[21] Appl. No.: 635,805

[22] Filed: Jul. 30, 1984

[52] U.S. Cl. D7/335

[58] Field of Search D7/323, 327, 331-348, D7/352-355, 357-359, 361-362, 364, 387-388, 402-403, 405-406, 408-409; D32/82; 312/236; 219/386; 99/386, 401, 402, 419, 421-427, 443-450; 126/4, 19 R, 27-28, 25 A, 25 AA, 25 B, 25 C, 25 R, 29-30, 9 A-9 B, 9 R; 248/156

[56] References Cited

U.S. PATENT DOCUMENTS

D. 182,762 5/1958 Forrest D7/336

2,827,846 3/1958 Karkling 99/450
2,977,953 4/1961 Dowdy D7/336
3,162,113 12/1964 Tallaksen 248/156

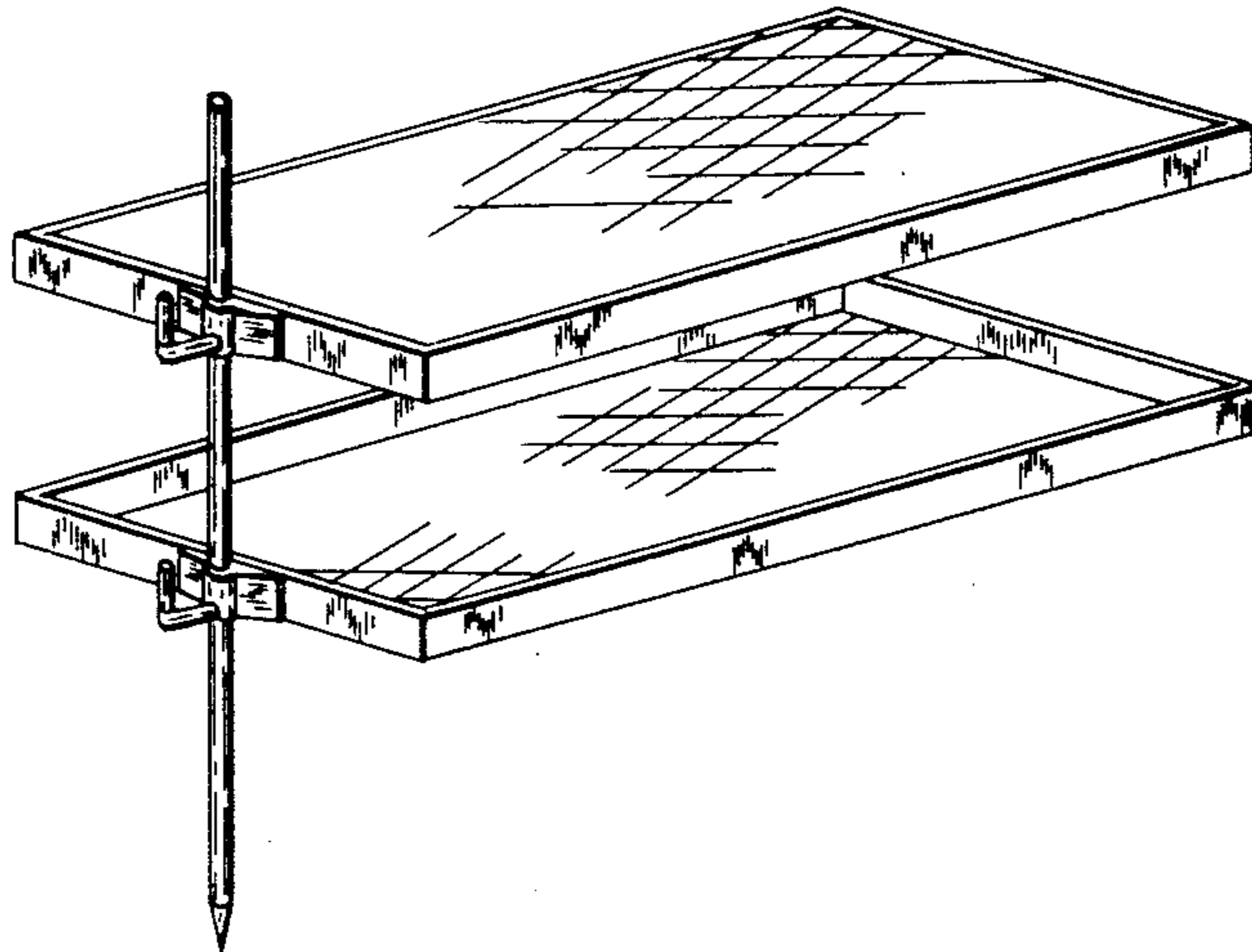
Primary Examiner—Catherine E. Kemper
Assistant Examiner—Ruth Takemoto
Attorney, Agent, or Firm—Harness, Dickey & Pierce

[57] CLAIM

The ornamental design for a portable cooking grill, substantially as shown and described.

DESCRIPTION

FIG. 1 is a perspective view of a portable cooking grill showing my new design;
FIG. 2 is a top plan view thereof;
FIG. 3 is a right side elevational view thereof, the left side being a mirror image thereof;
FIG. 4 is an end elevational view thereof; and
FIG. 5 is a bottom plan view thereof.
The grill like pattern which is fragmentarily shown in FIGS. 1, 2 and 5 is understood to repeat uniformly and continuously throughout the indicated area.



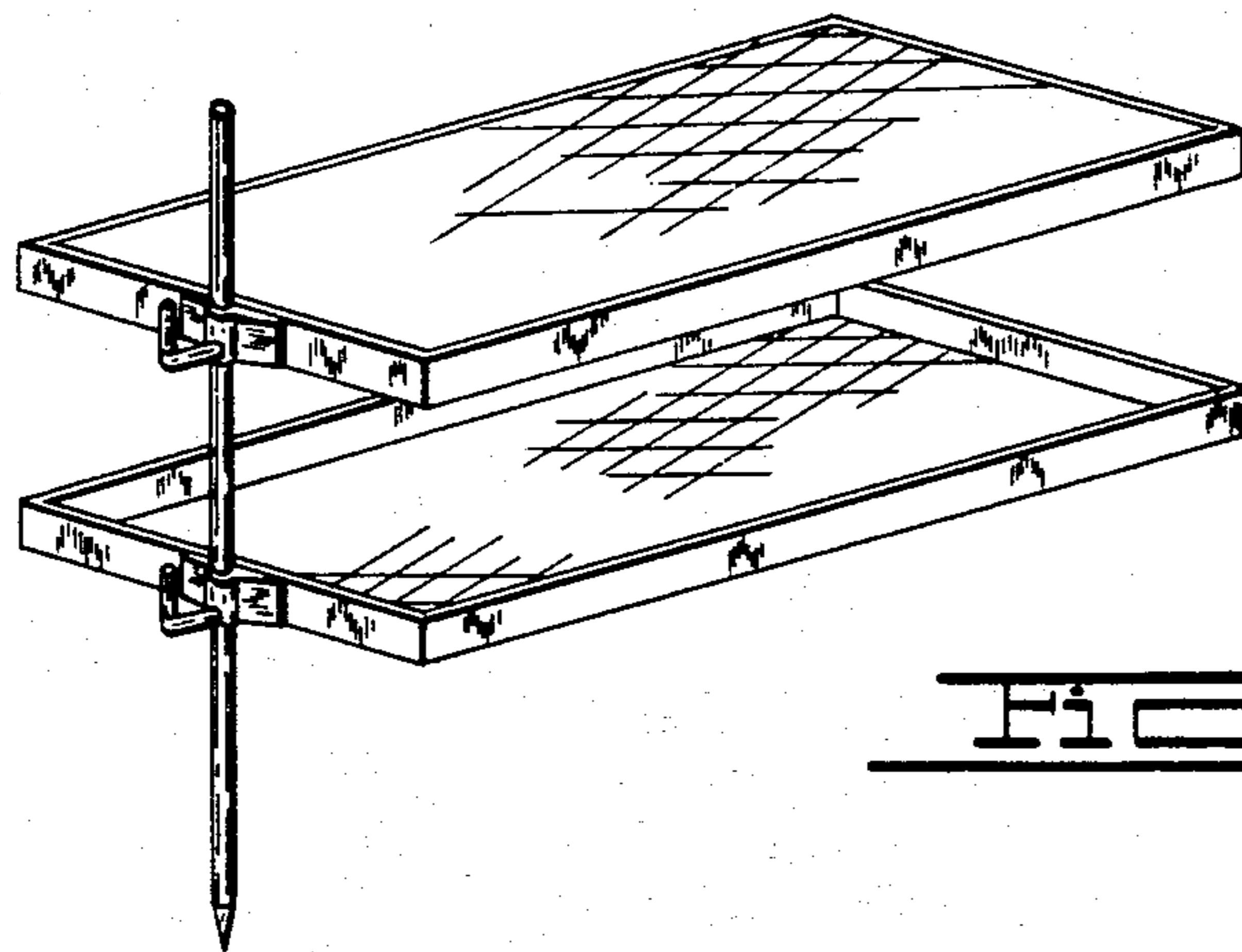


FIG. 1.

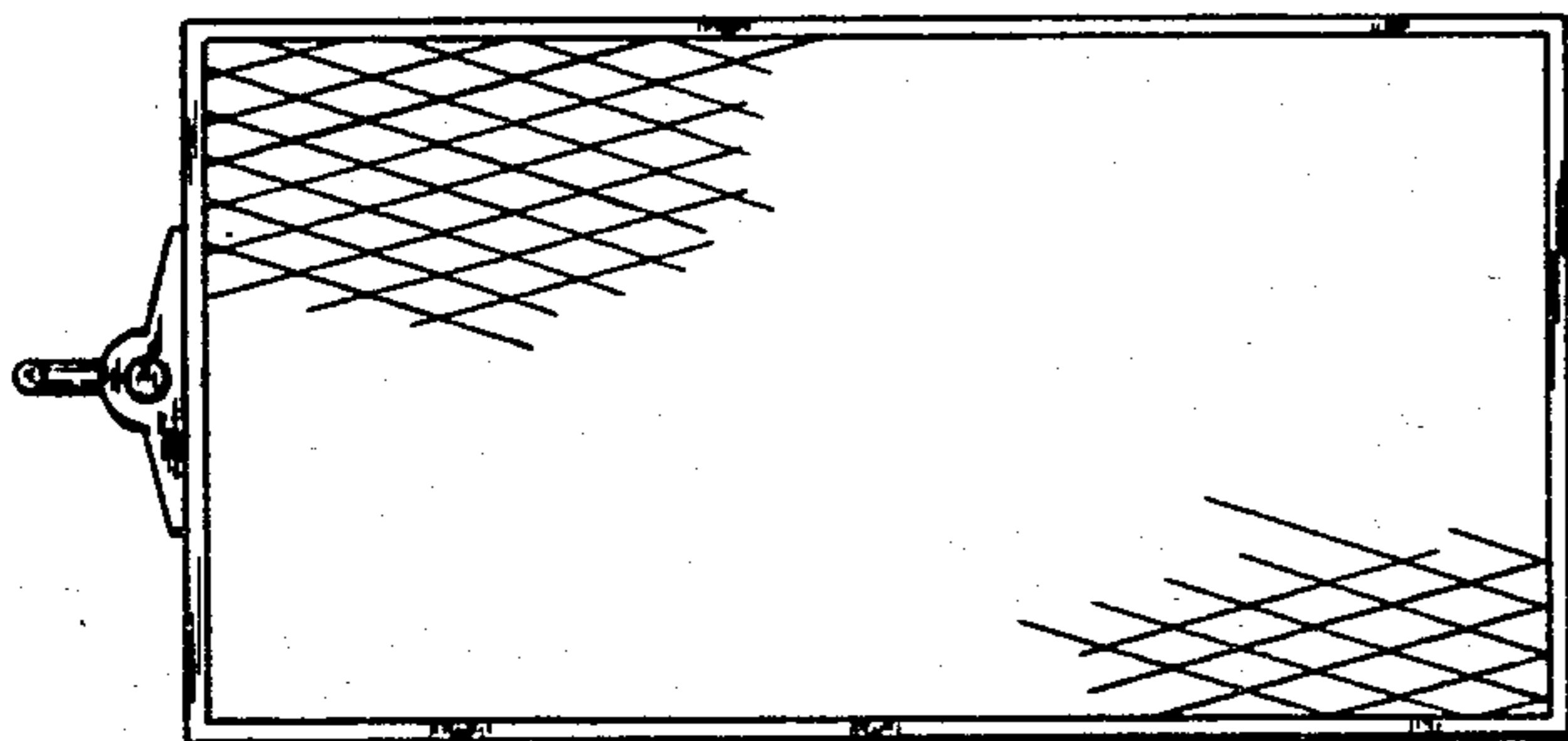


FIG. 2.

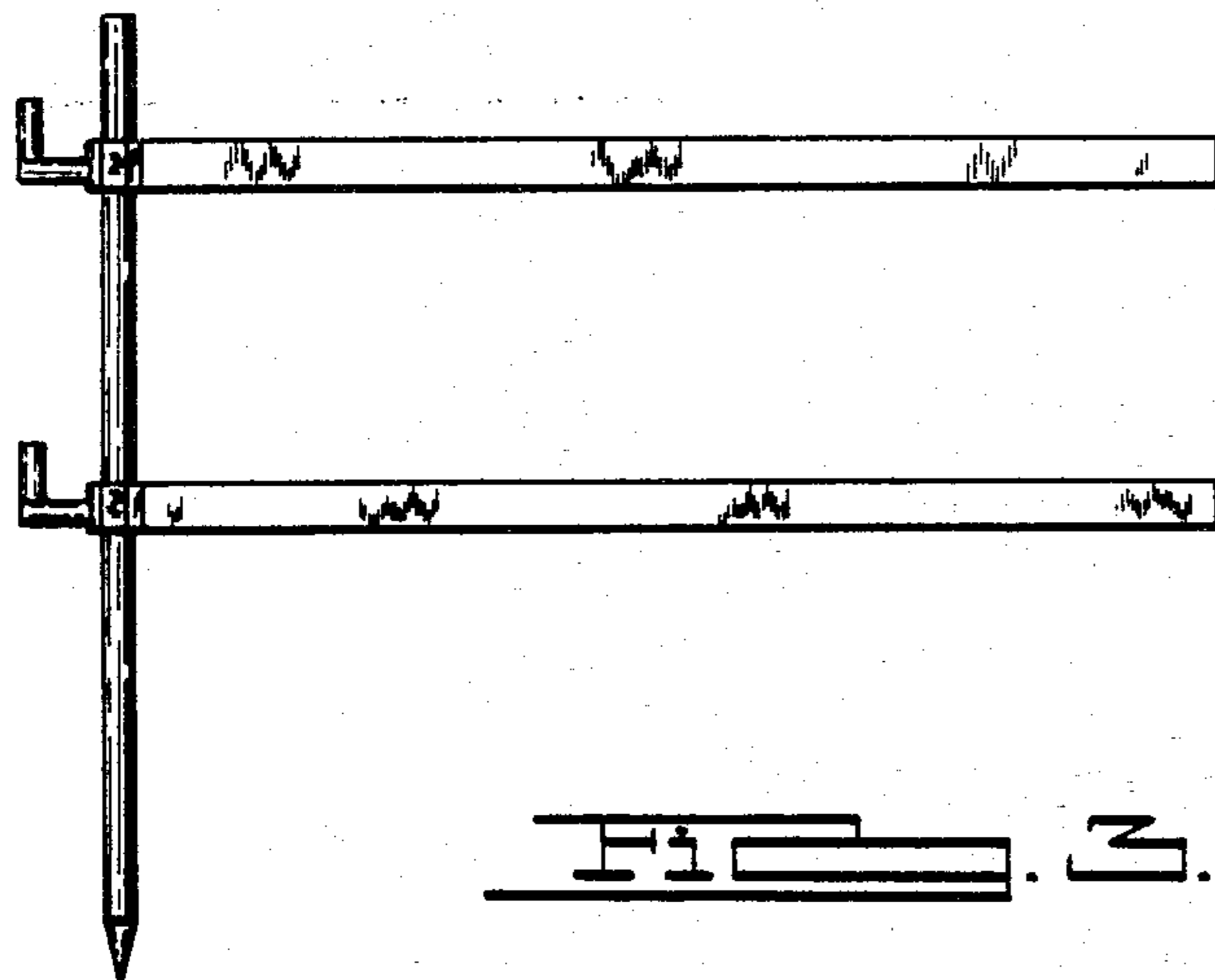


FIG. 3.

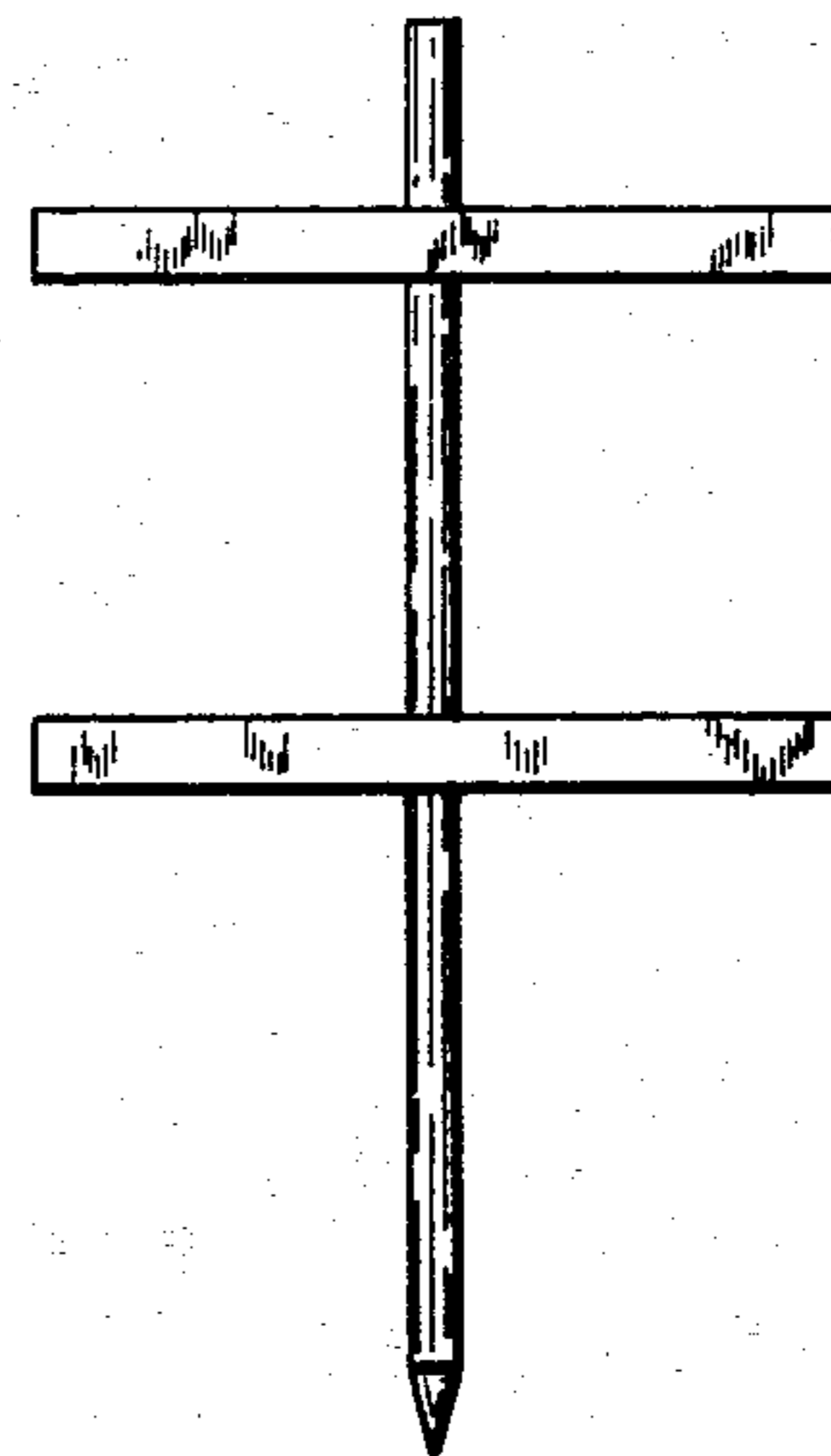


FIG. 4.

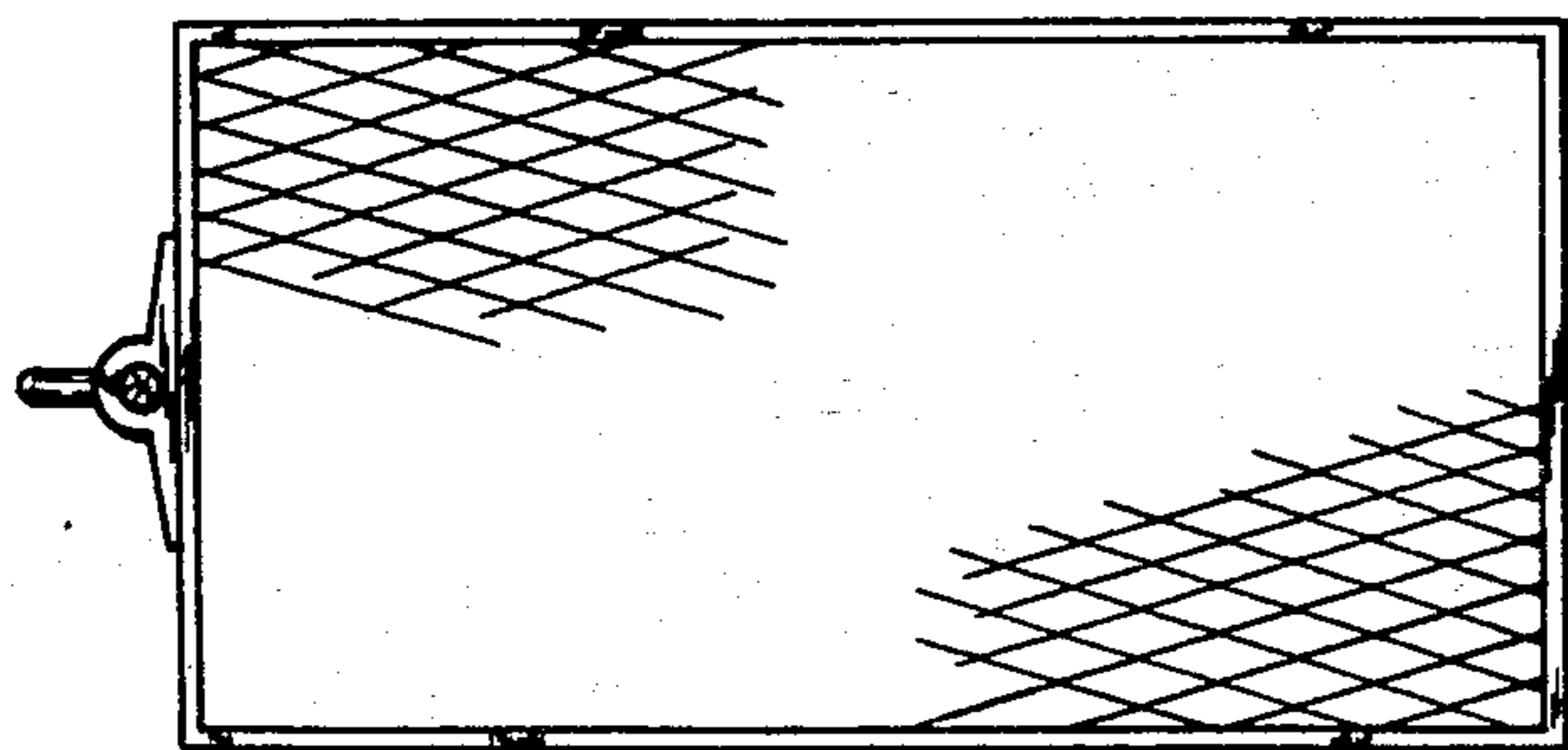


FIG. 5.