

[54] **BARBEQUE UNIT**

[75] **Inventor: Frederick J. Erickson, Des Moines, Iowa**

[73] **Assignee: Ehco, Inc., Marshalltown, Iowa**

[**] **Term: 14 Years**

[21] **Appl. No.: 677,508**

[22] **Filed: Dec. 3, 1984**

[52] **U.S. Cl. D7/332**

[58] **Field of Search D7/323, 327, 331-348, D7/352-355, 357-359, 361-362, 364, 387-388, 402-403, 405-406, 408-409; D32/82; 312/236; 219/386; 99/386, 401, 419, 421-427, 443-450; 126/4, 19 R, 27-28, 25 A, 25 AA, 25 B, 25 C, 25 R, 29-30, 9 A-9 B, 9 R**

[56] **References Cited**

U.S. PATENT DOCUMENTS

4,046,132 9/1977 White 126/25 B
4,418,678 12/1983 Erickson 126/25 R

Primary Examiner—Catherine E. Kemper
Assistant Examiner—Ruth E. Takemoto

Attorney, Agent, or Firm—Zarley, McKee, Thomte, Voorhees & Sease

[57] **CLAIM**

The ornamental design for a barbeque unit, as shown and described.

DESCRIPTION

FIG. 1 is a perspective view of a barbeque unit showing my new design.

FIG. 2 is a top plan view thereof.

FIG. 3 is a front elevational view thereof.

FIG. 4 is an end elevational view taken from the left of FIG. 2.

FIG. 5 is an end elevational view taken from the right of FIG. 2.

FIG. 6 is a bottom plan view.

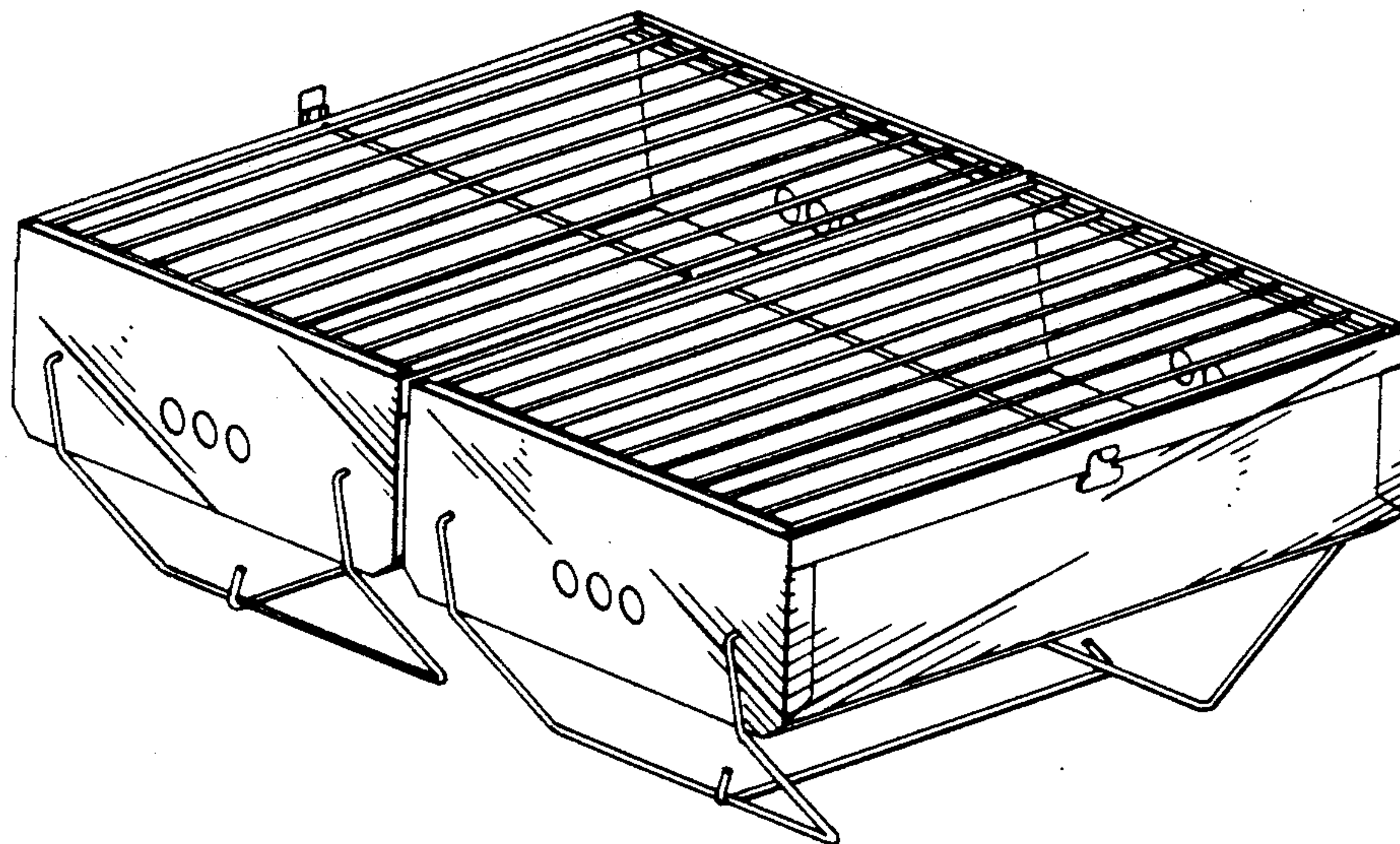
FIG. 7 is a perspective view of a second embodiment of a barbecue unit.

FIG. 8 is an end elevational view of the design of FIG. 7, both ends being identical.

FIG. 9 is a top plan view of the design shown in FIG. 7.

FIG. 10 is a front elevational view of the design shown in FIG. 7, the rear view being identical.

FIG. 11 is a bottom plan view of the design shown in FIG. 7.



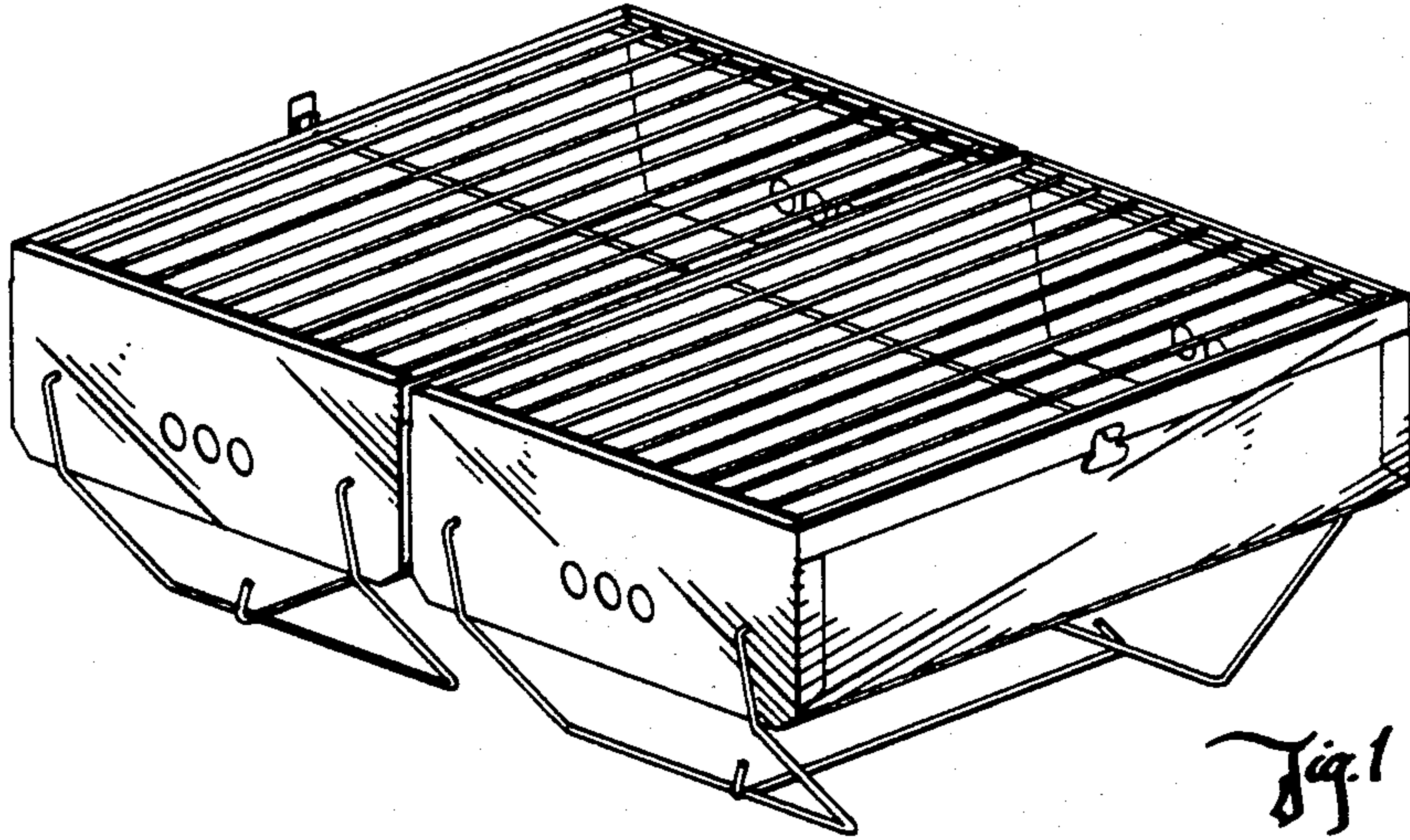


Fig. 1

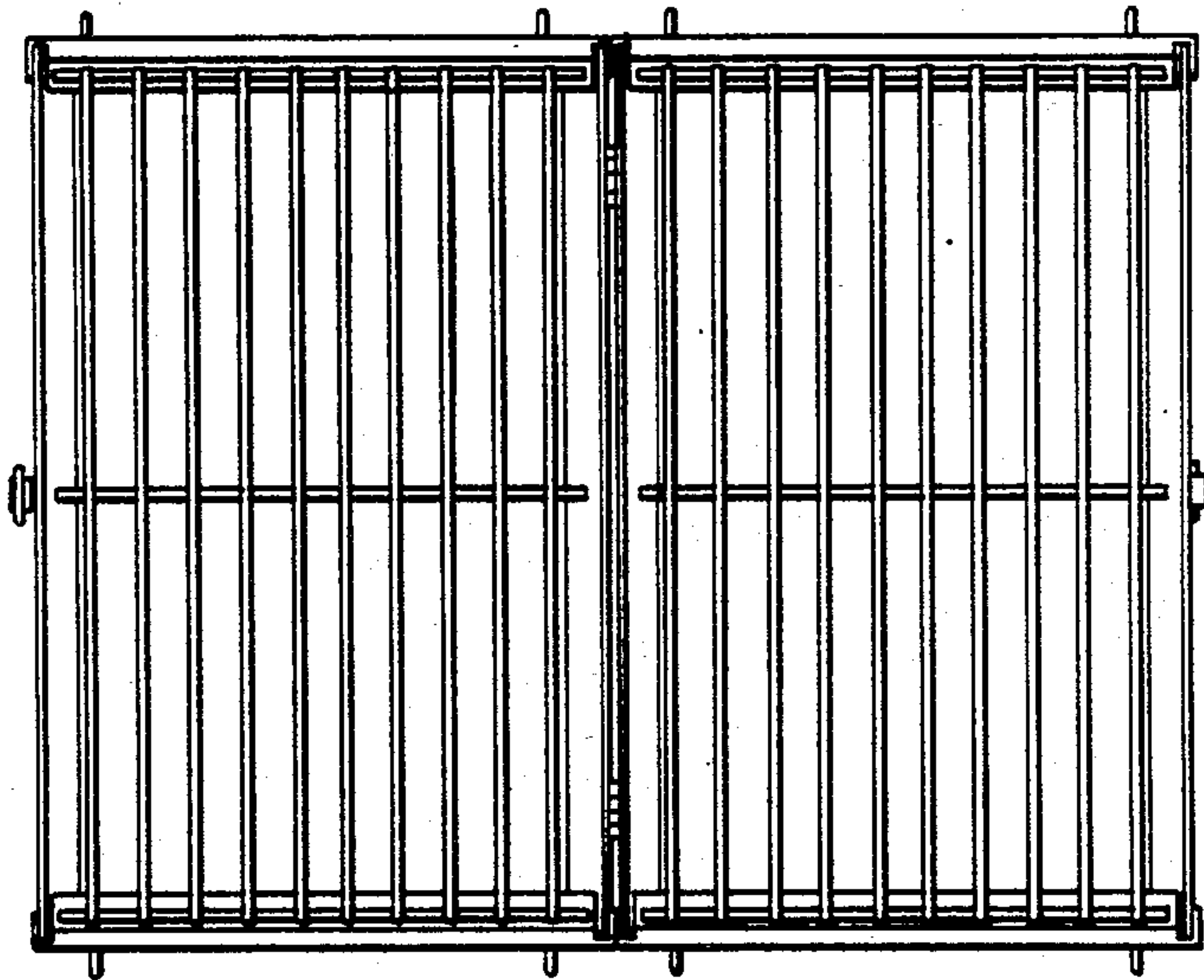


Fig. 2

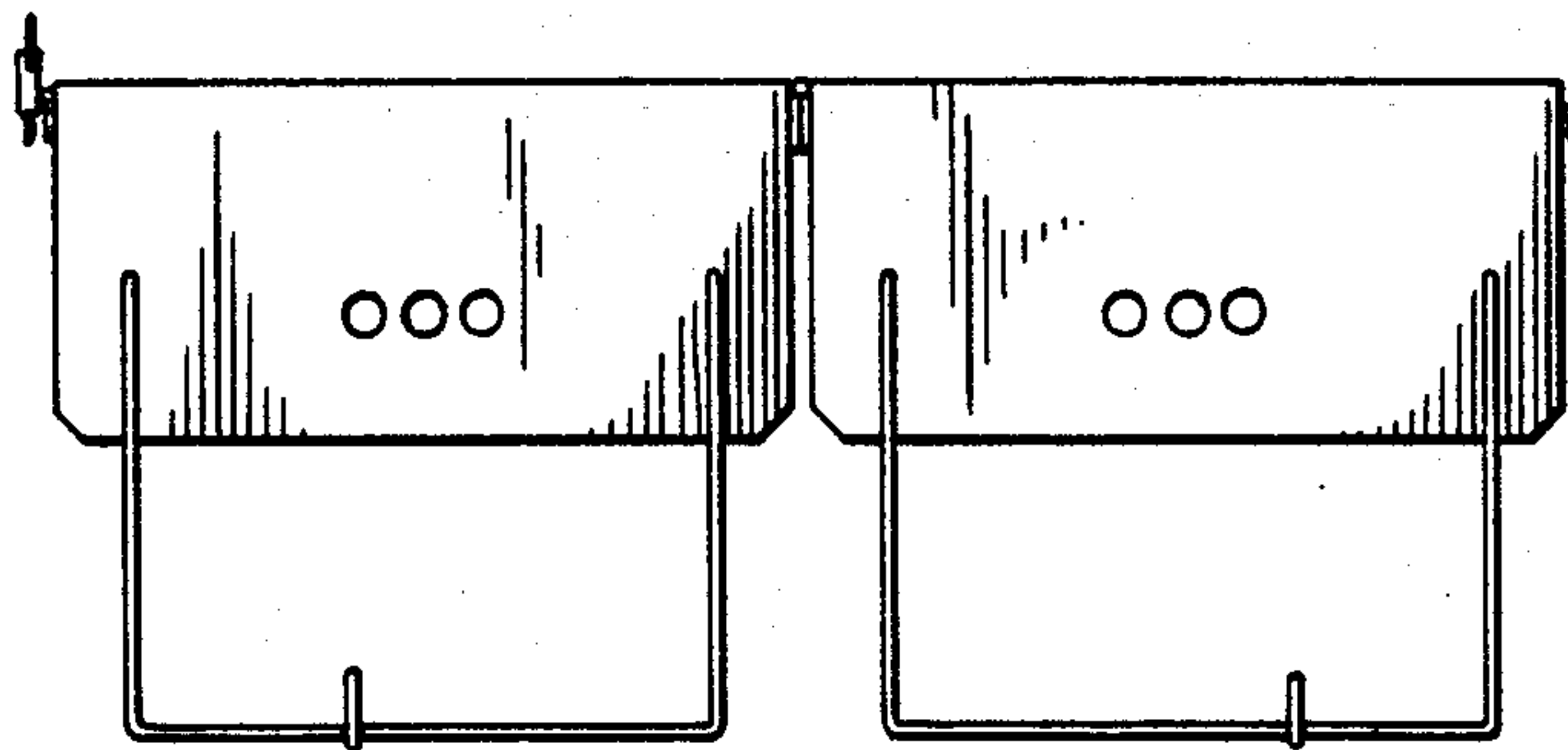


Fig. 3

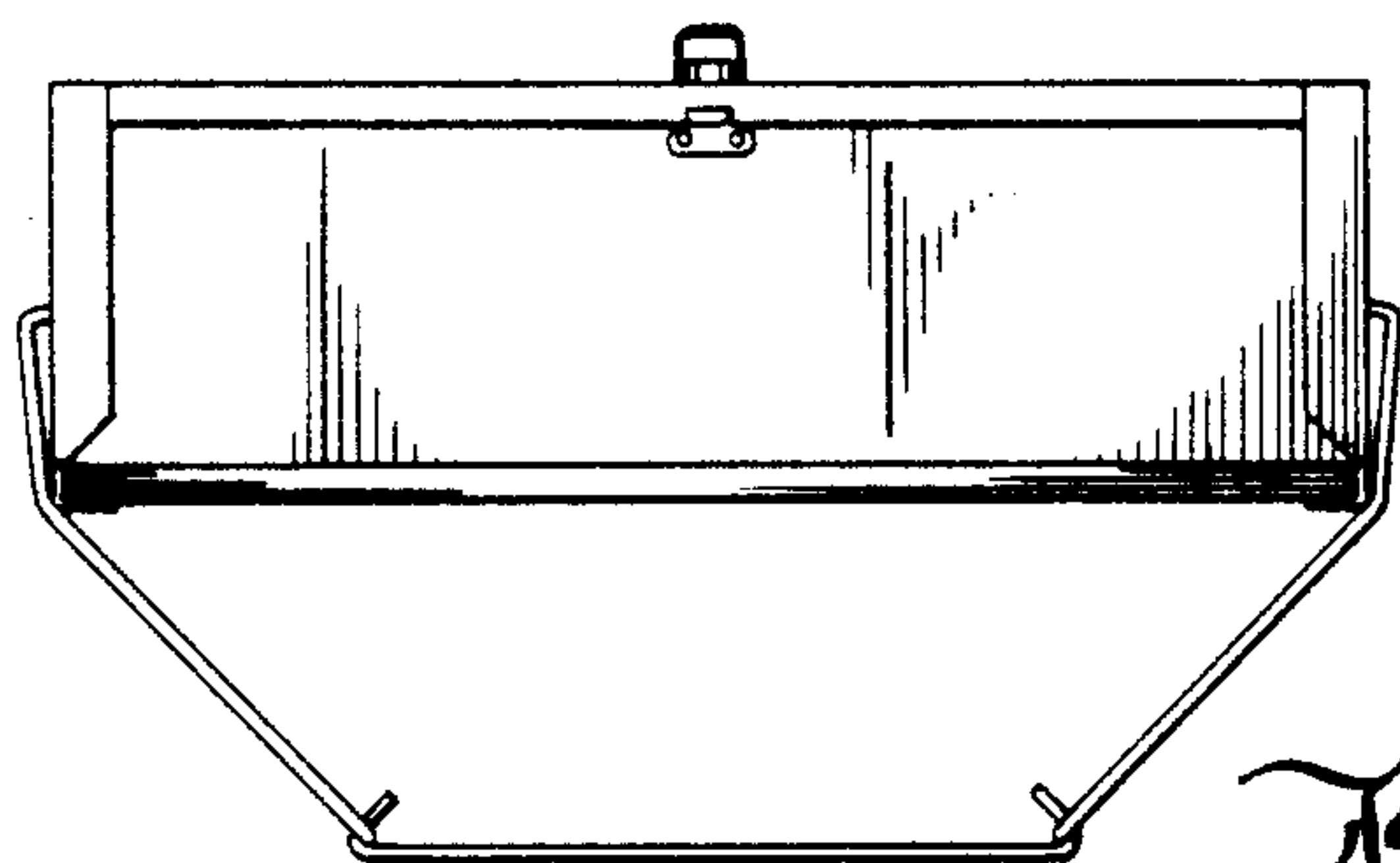


Fig. 4

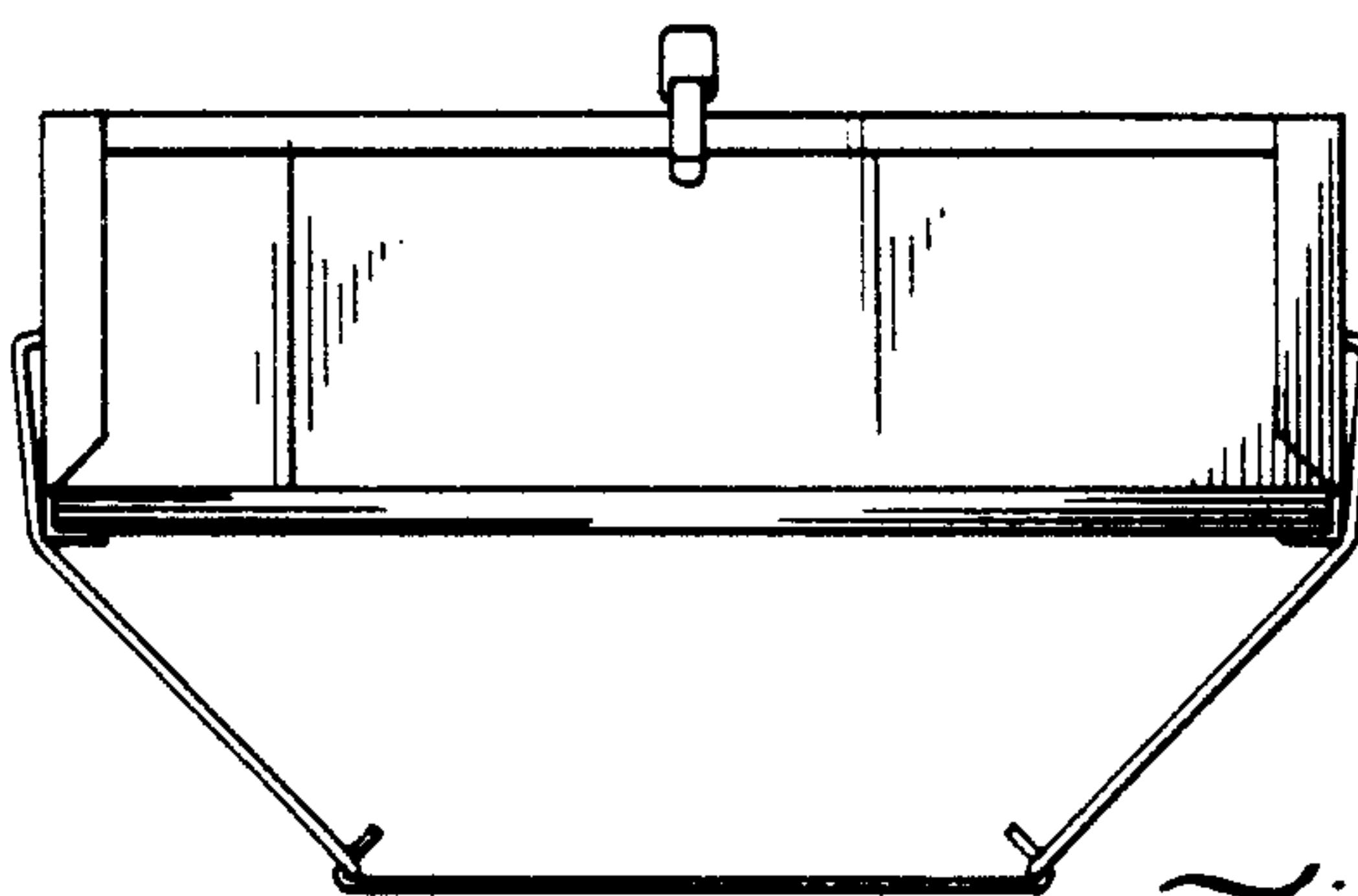


Fig. 5

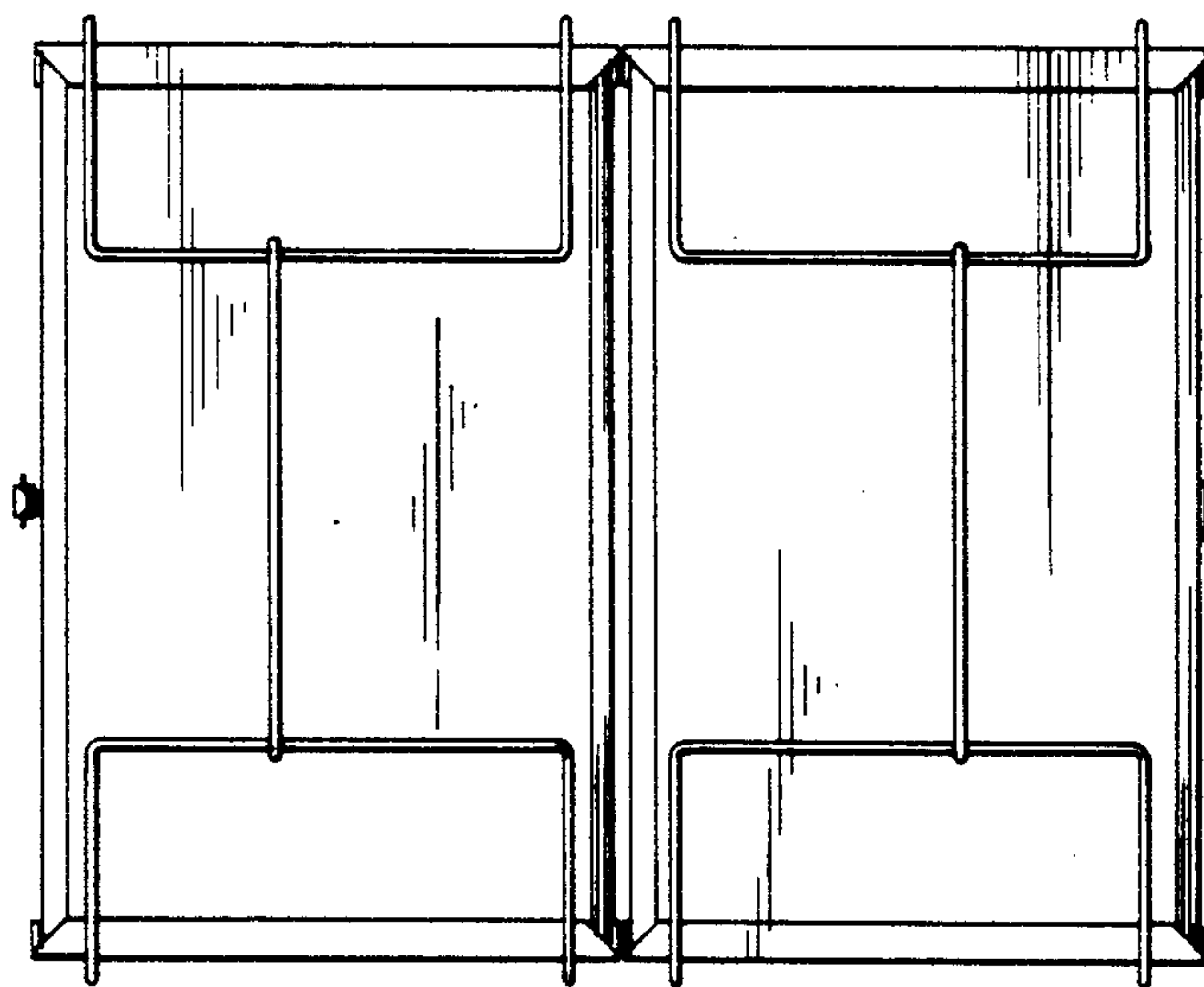


Fig. 6

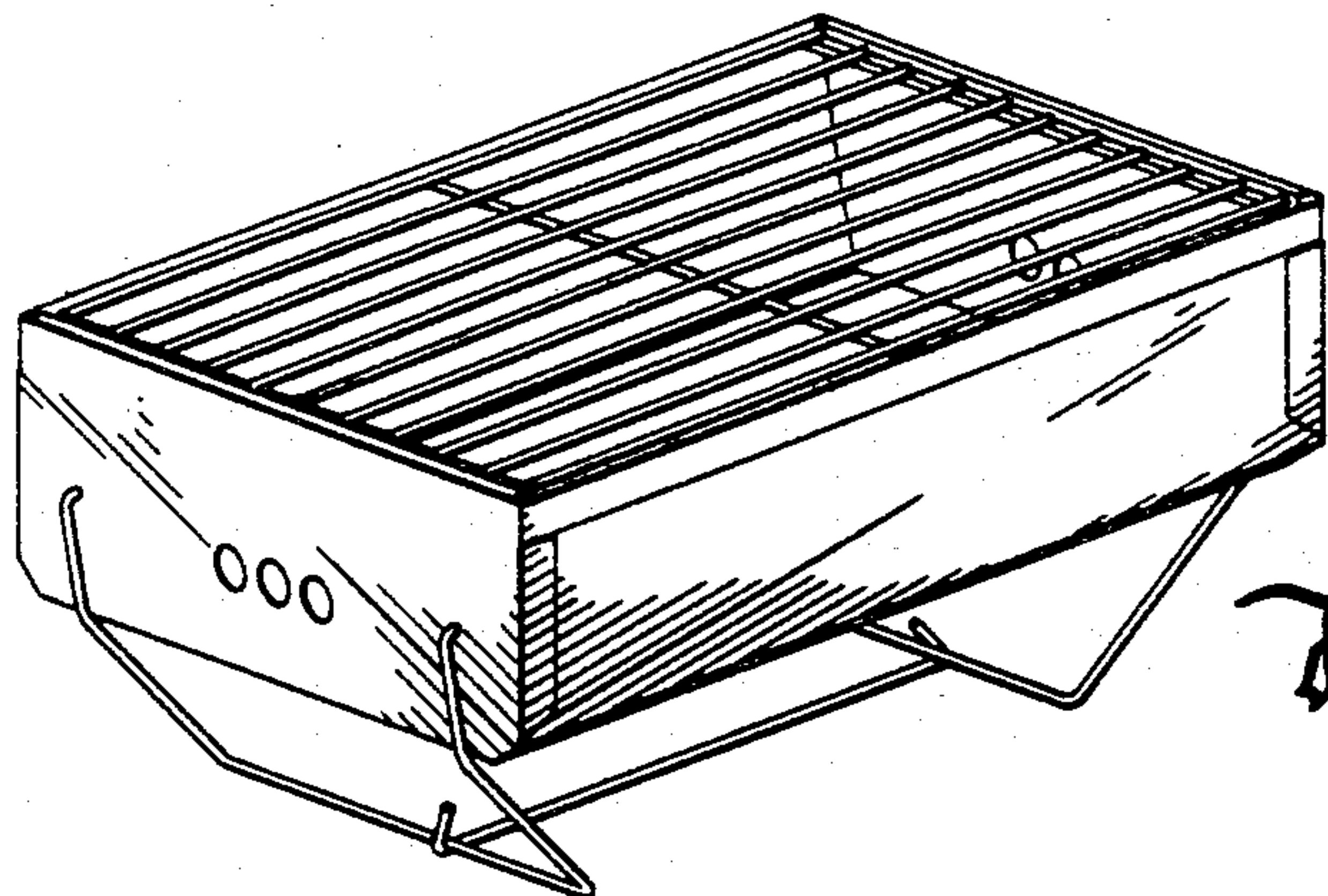


Fig. 7

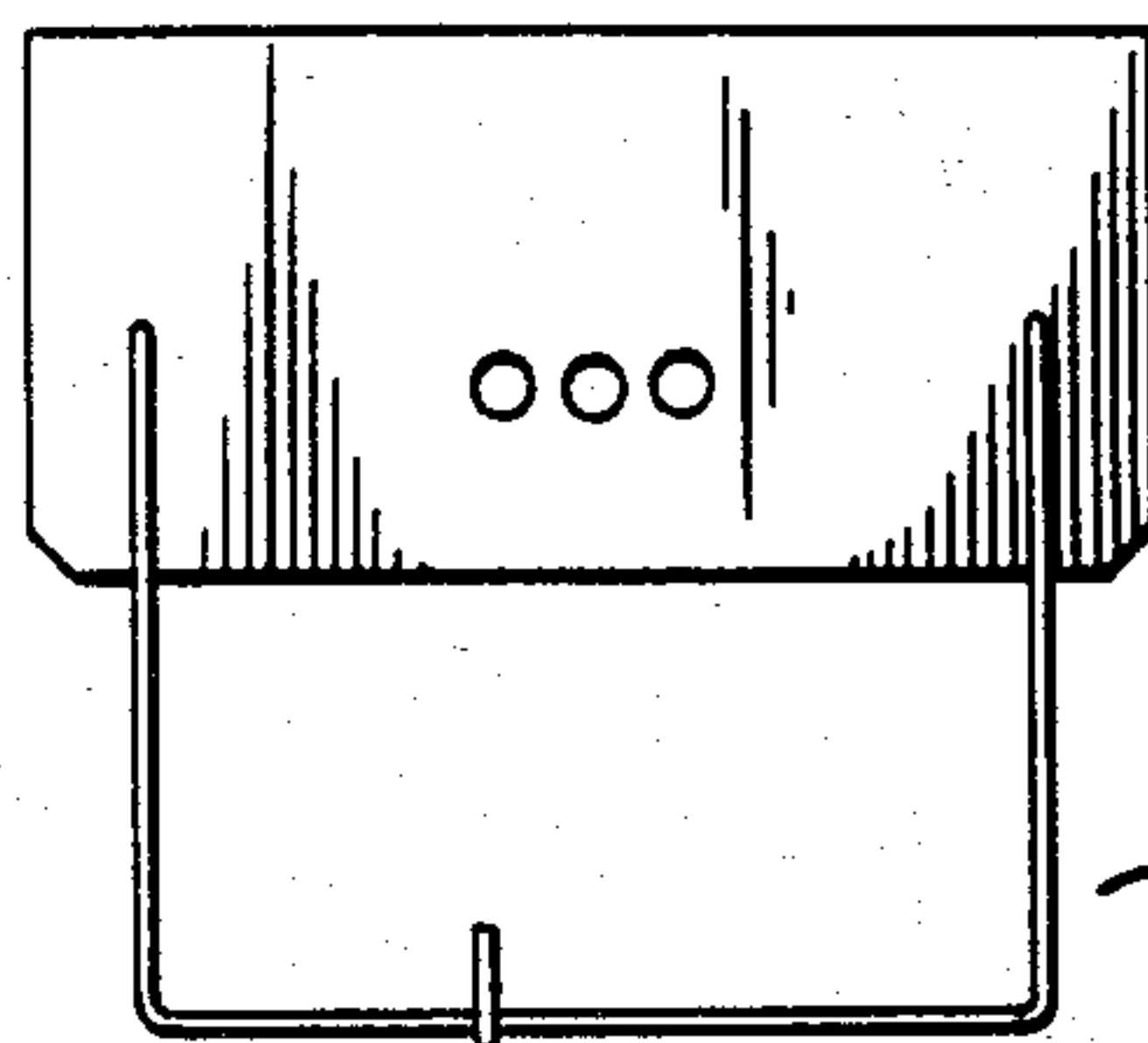


Fig. 8

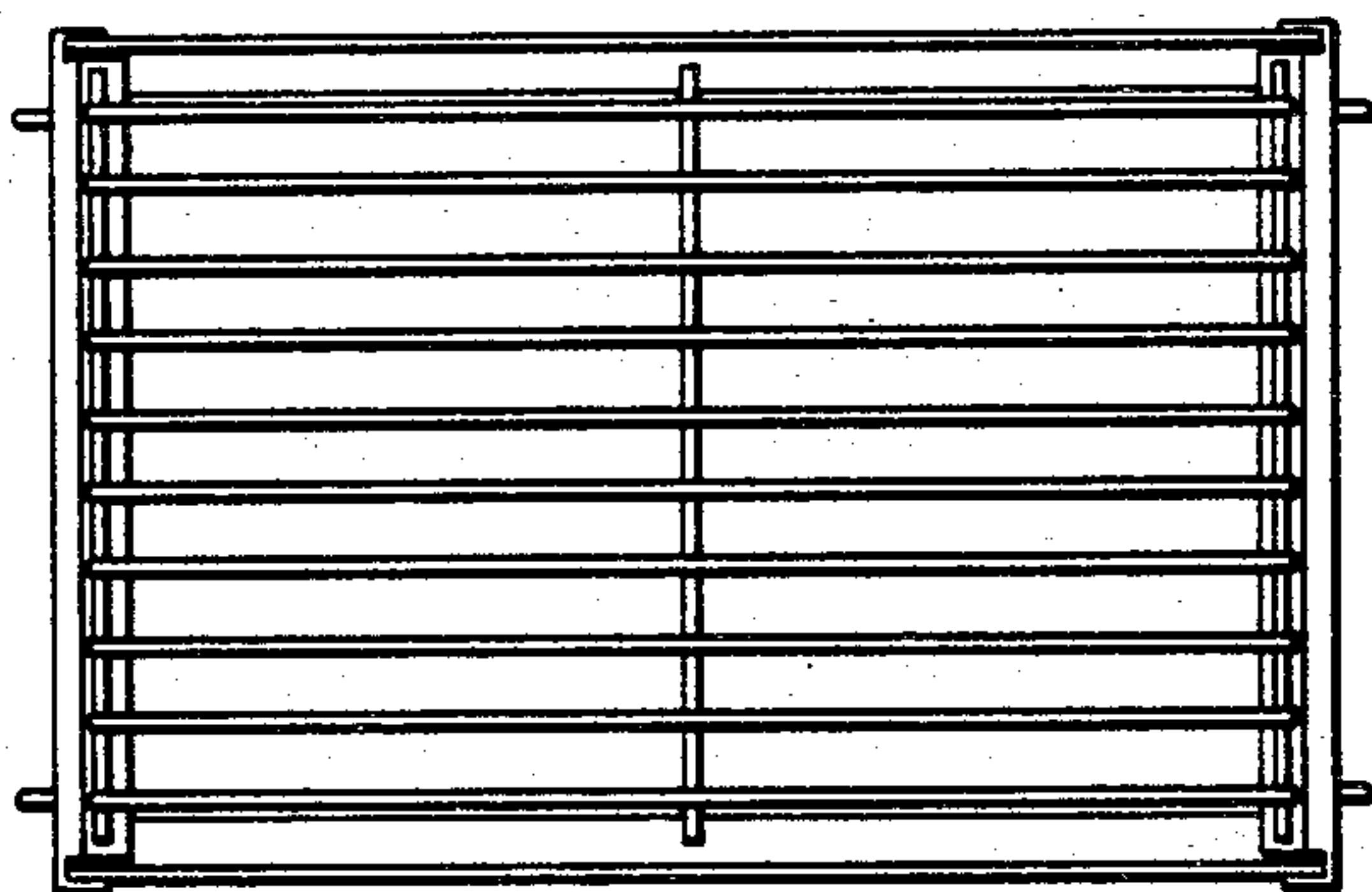


Fig. 9

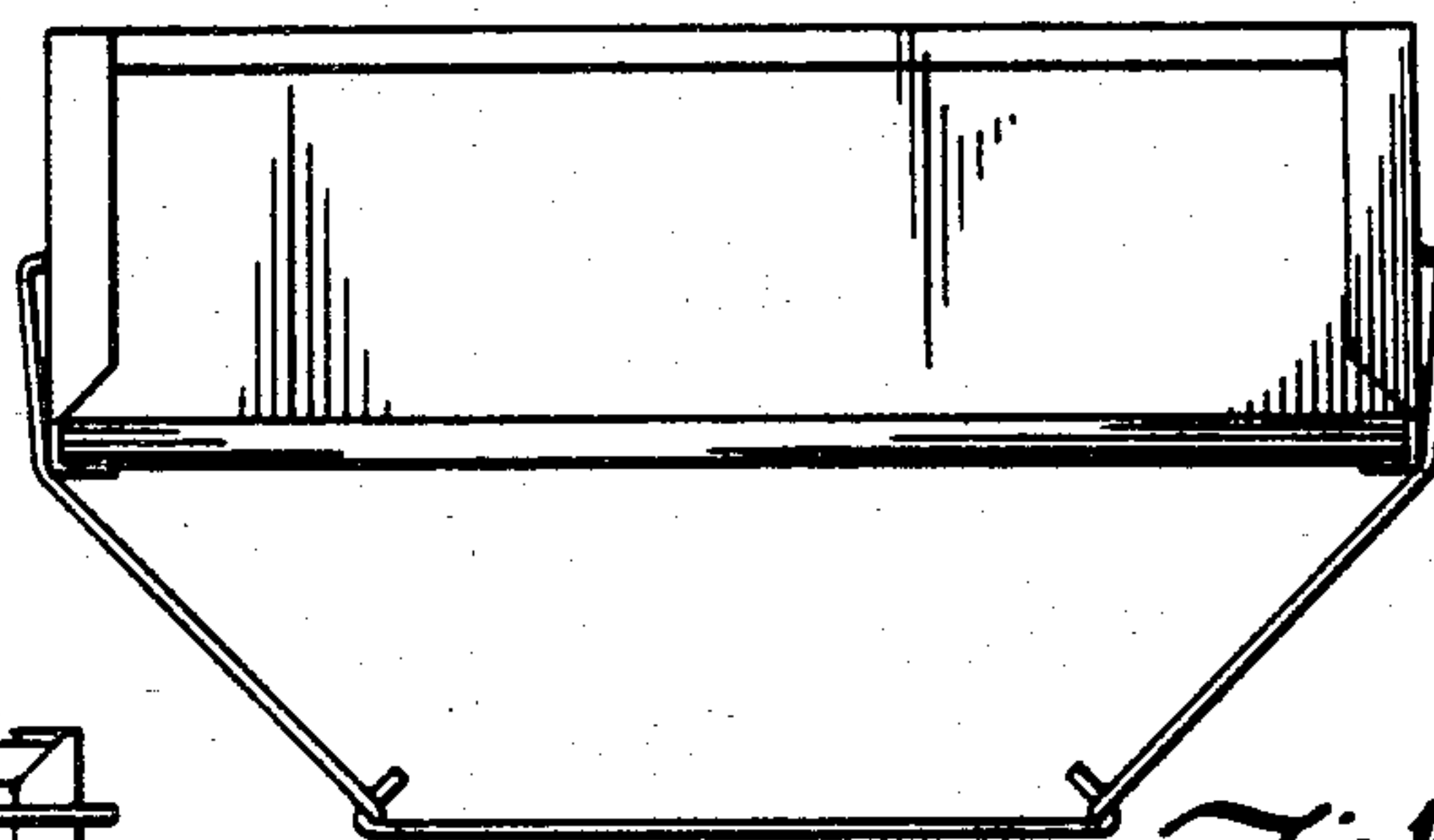


Fig. 10

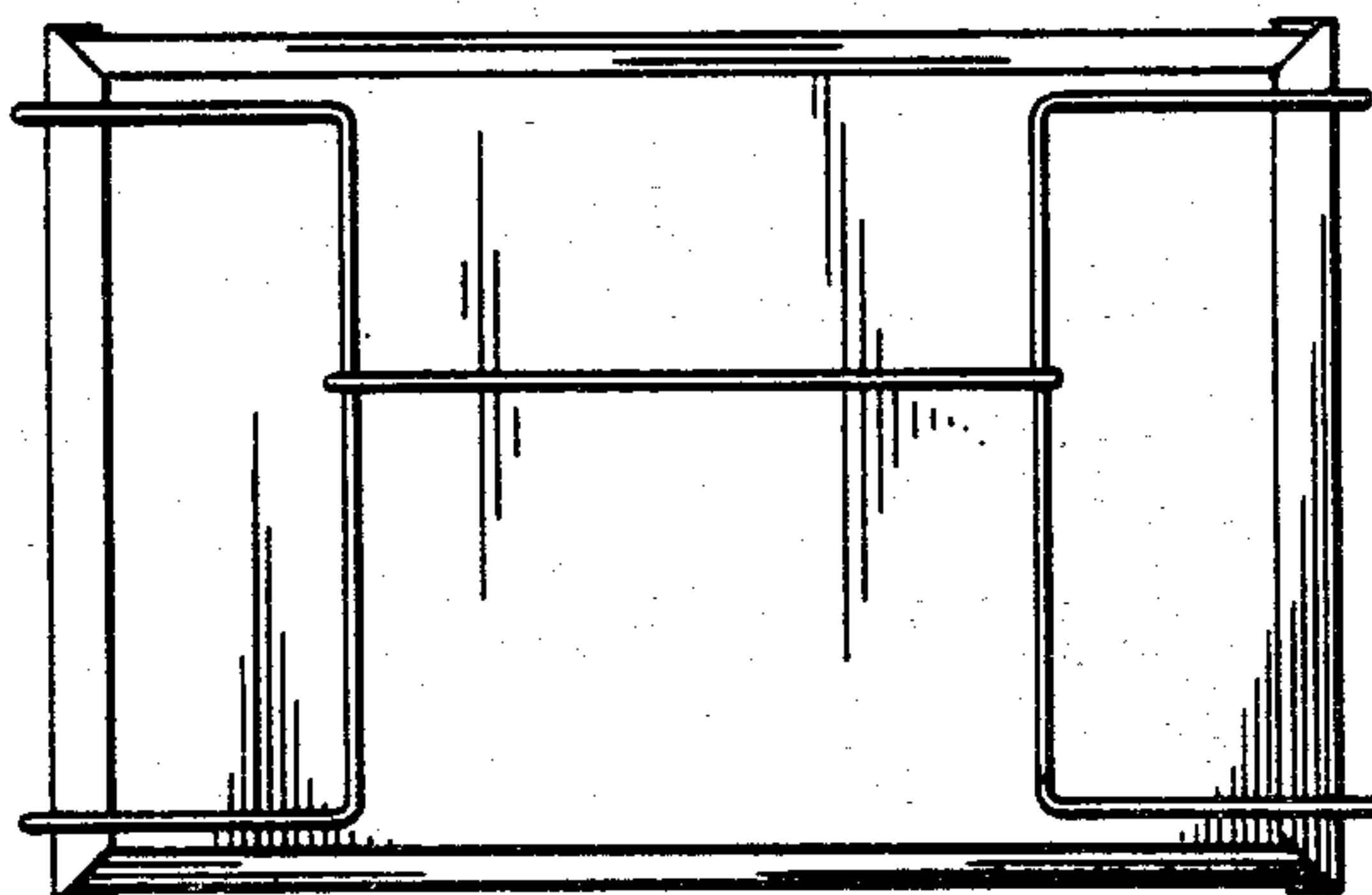


Fig. 11