

[54] WALL MOUNTED RACK FOR HAIR GROOMING AIDS

[75] Inventor: Paul T. Winters, Arvada, Colo.

[73] Assignee: Heu, Incorporated, Arvada, Colo.

[**] Term: 14 Years

[21] Appl. No.: 511,736

[22] Filed: Jul. 7, 1983

[52] U.S. Cl. D6/567; D6/525; D6/552; D6/553

[58] Field of Search D6/300, 308, 314, 310, D6/419, 420, 429, 431, 444, 446, 448, 450, 451, 470, 509, 510, 511, 512, 522, 524, 528, 531, 535, 523, 546, 549, 552, 553, 555, 559, 561, 562, 563, 566, 567, 568, 569, 570, 571, 572, 573, 574; D8/373; D28/9, 18, 38, 73, 74, 76, 77, 65-68; 108/25, 26.2, 29, 30, 42, 59, 137, 138, 144, 151, 152

[56] References Cited

U.S. PATENT DOCUMENTS

D. 256,637	9/1980	Chiklis	D6/571
2,805,777	9/1957	Larson	211/70.6
3,737,131	6/1973	Larson	211/70.6
4,223,791	9/1980	Taggart	211/70.8

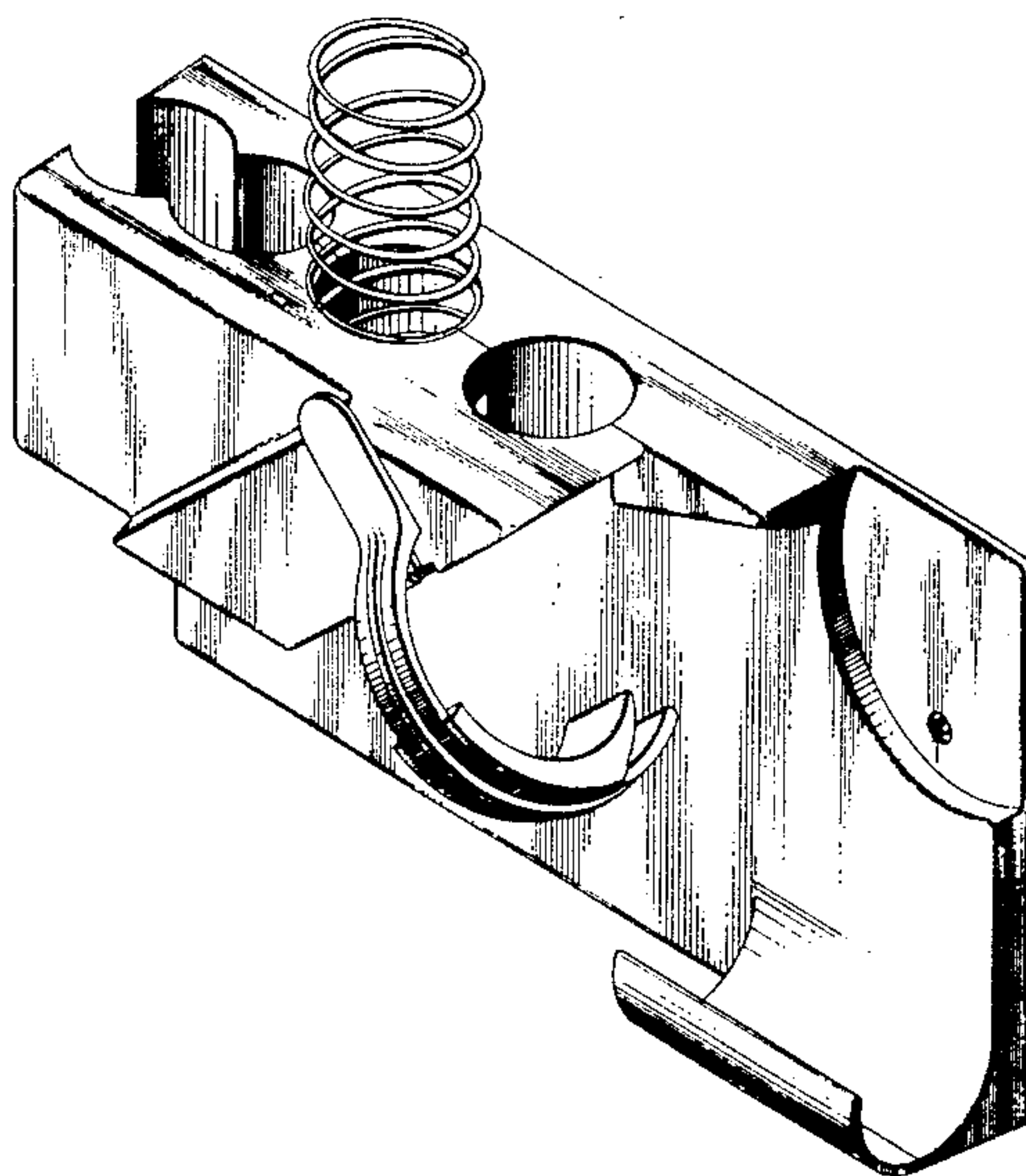
Primary Examiner—B. J. Bullock
Assistant Examiner—Suzanne N. Gitlin
Attorney, Agent, or Firm—Edwin L. Spangler, Jr.

[57] CLAIM

The ornamental design for a wall mounted rack for hair grooming aids, as shown.

DESCRIPTION

FIG. 1 is a top and left side perspective view of a wall-mounted rack for hair grooming aids showing my new design;
FIG. 2 is a front elevational view thereof;
FIG. 3 is a top plan view thereof;
FIG. 4 is a rear elevational view thereof;
FIG. 5 is a bottom plan view thereof;
FIG. 6 is an end elevational view taken from the right of FIG. 1;
FIG. 7 is an end elevational view taken from the left of FIG. 1.



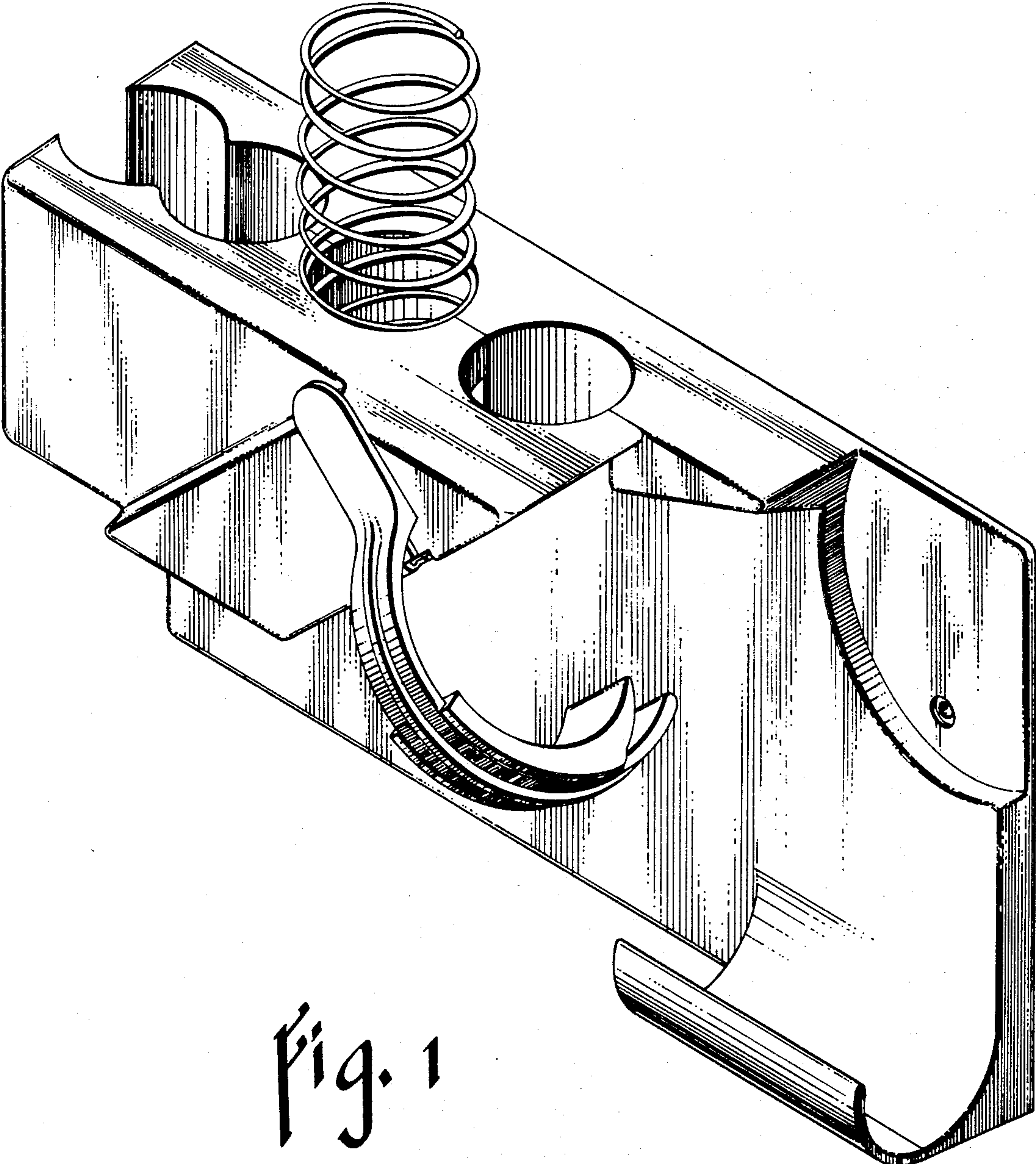


Fig. 1

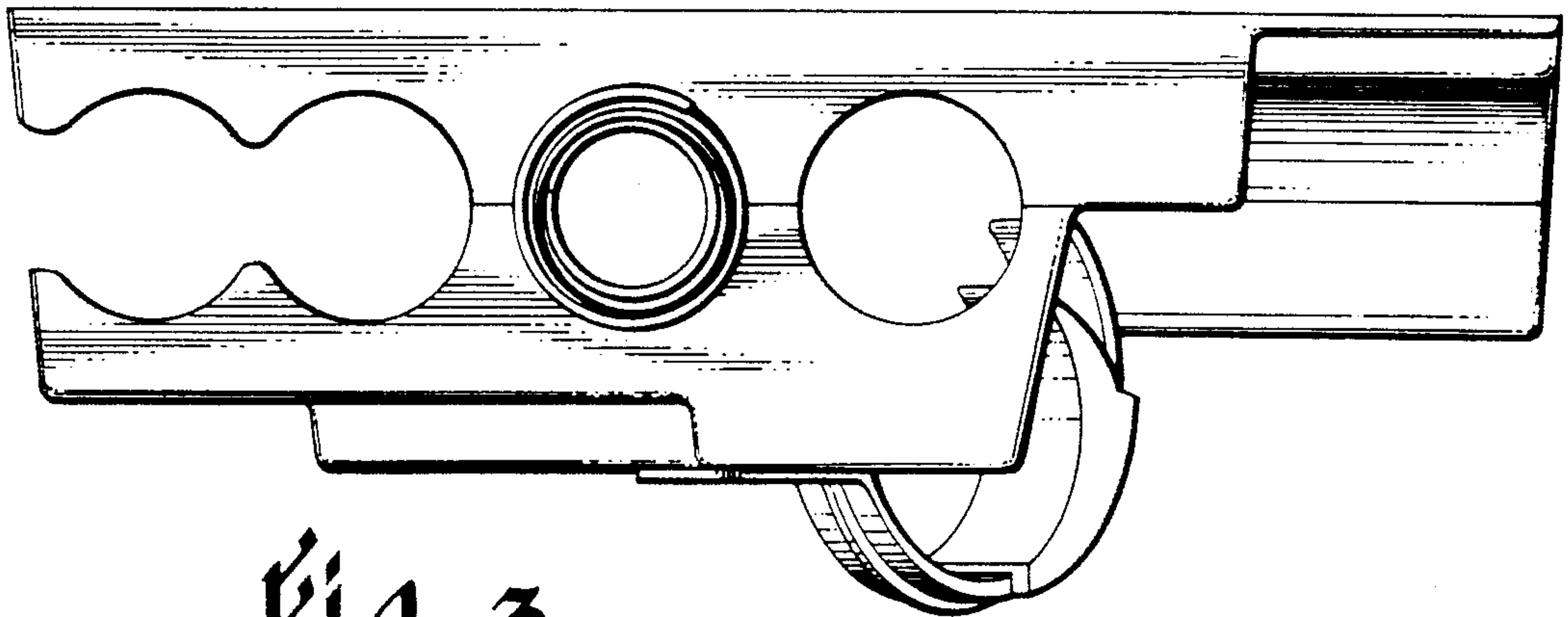


Fig. 3

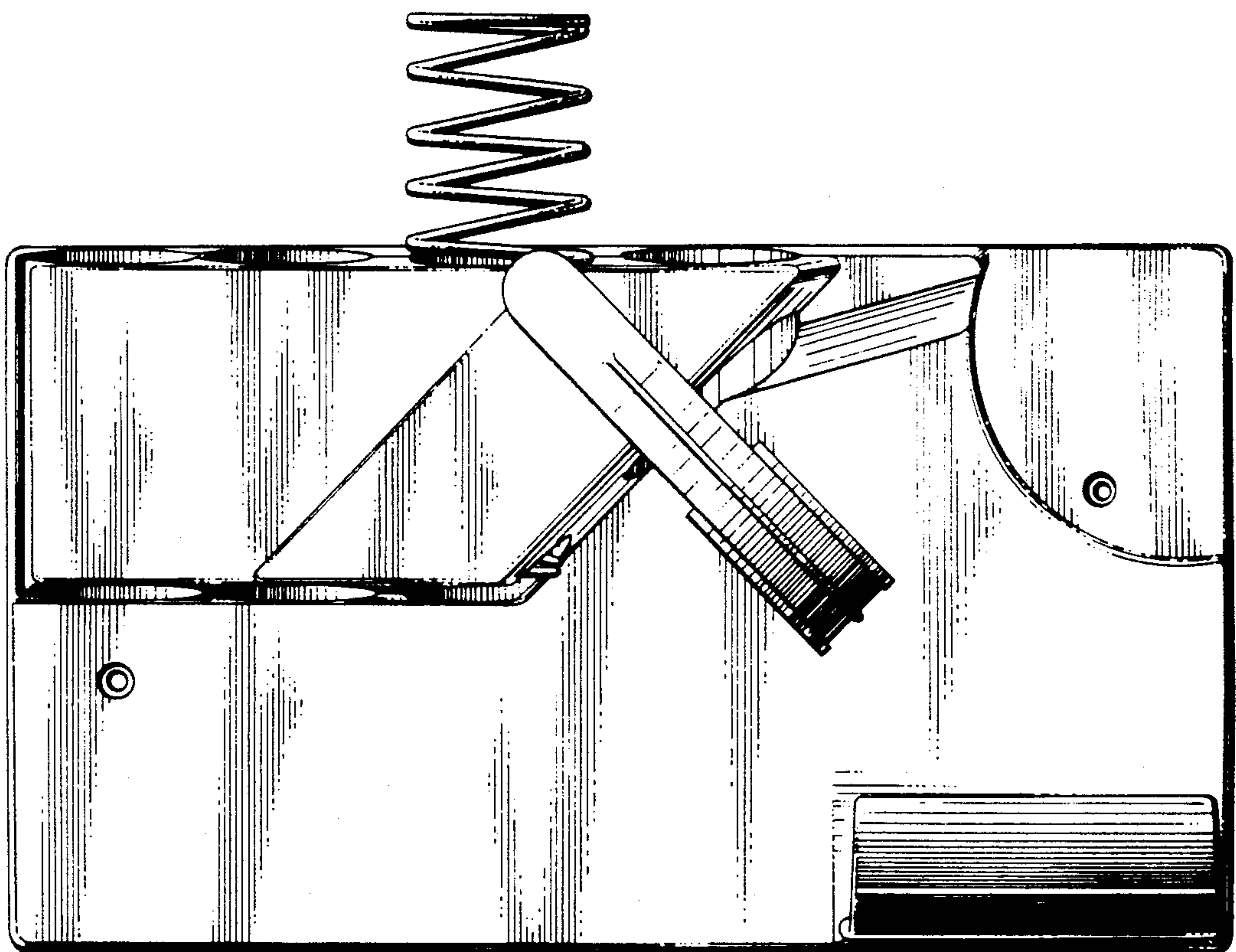


Fig. 2

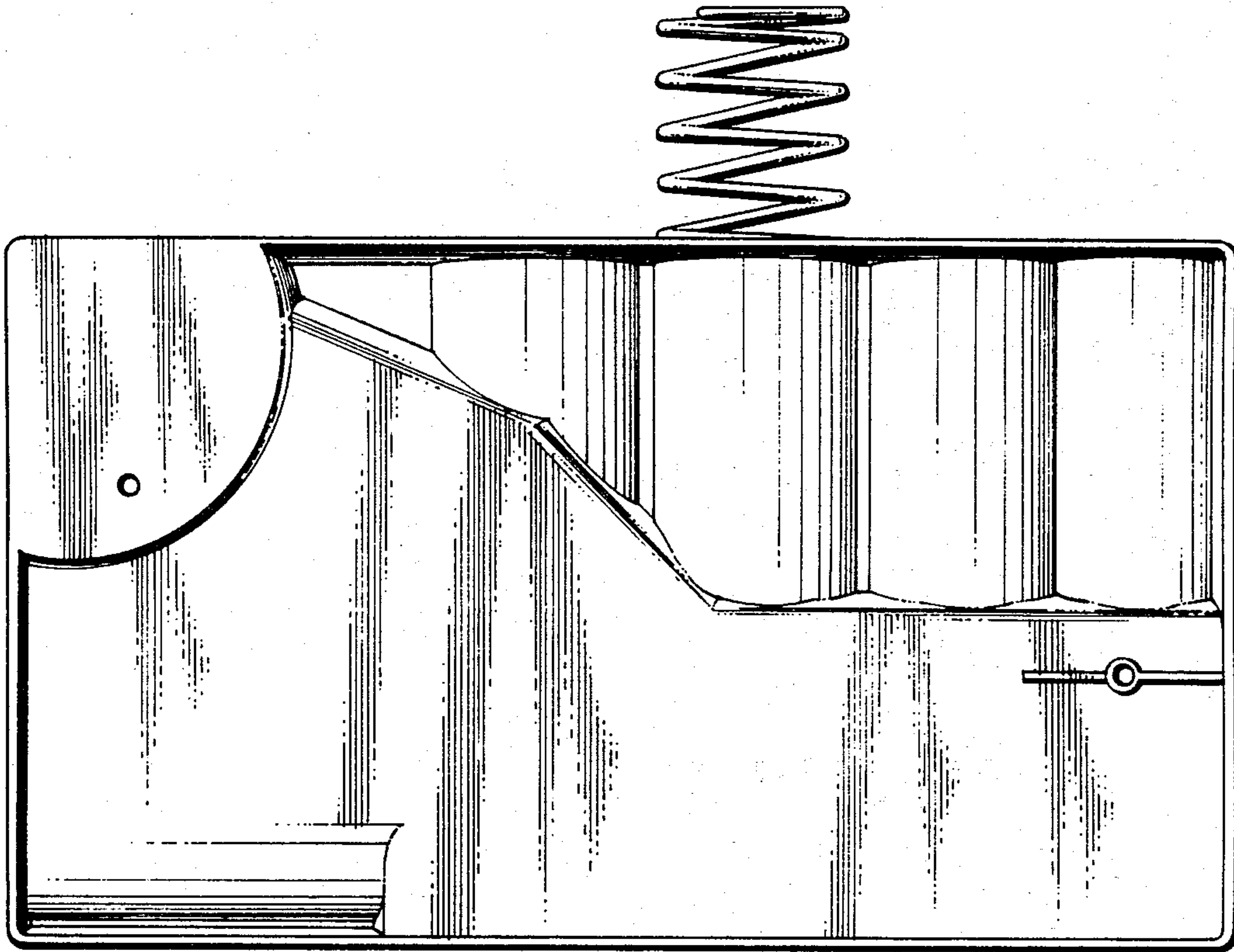


Fig. 4

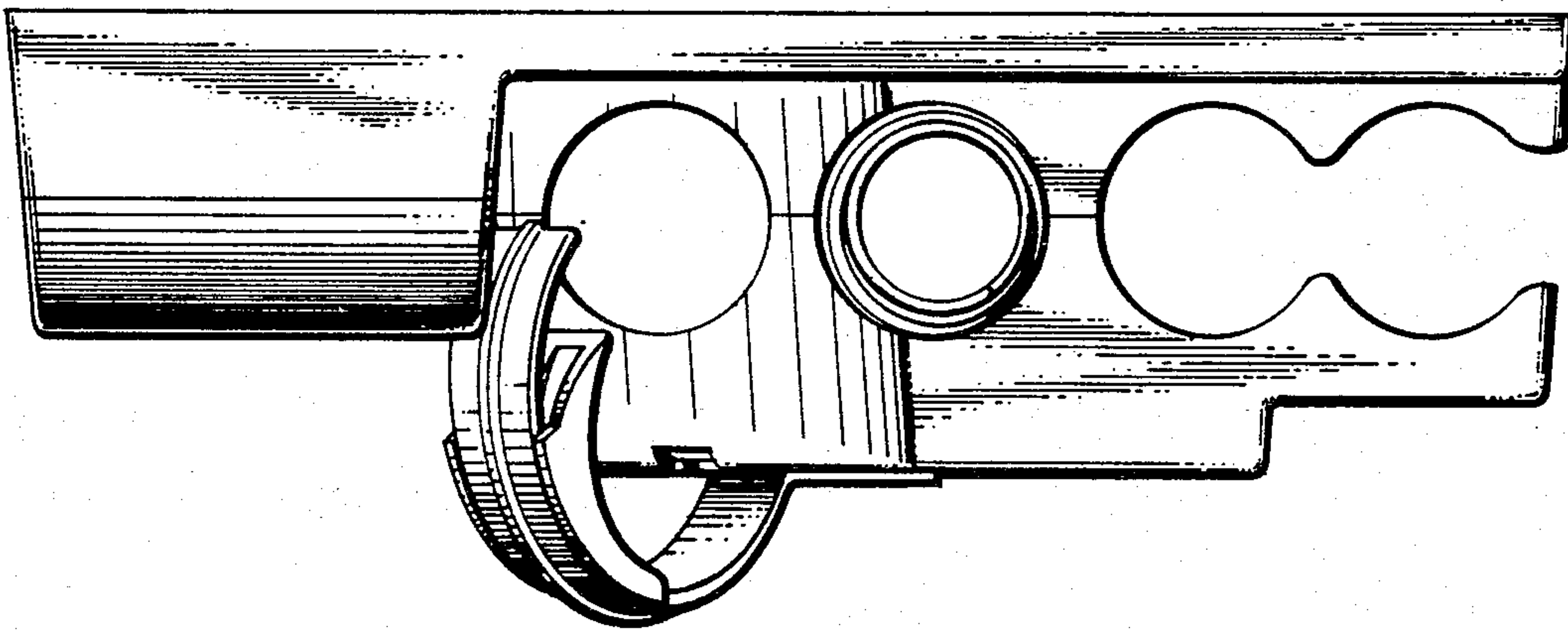


Fig. 5

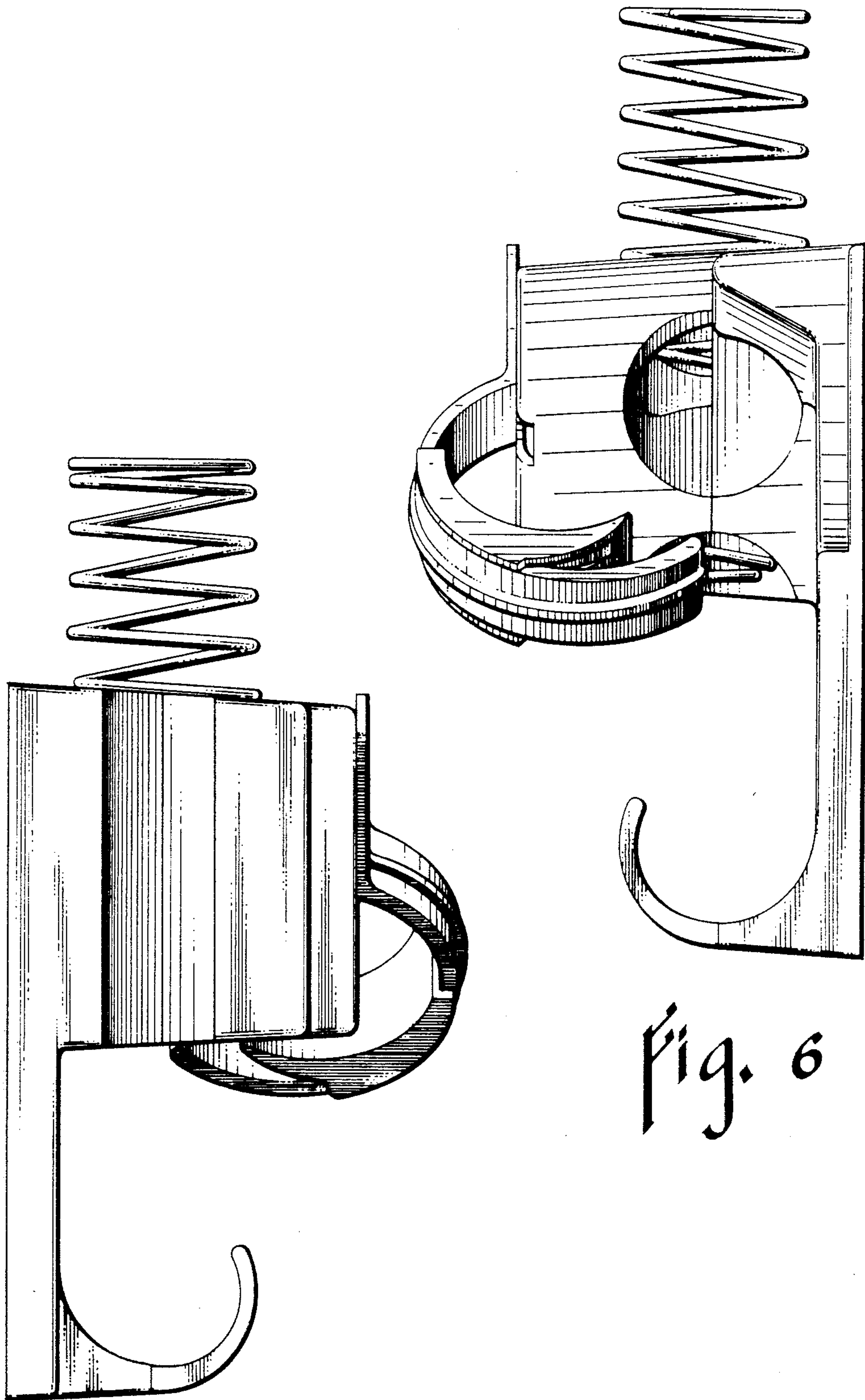


Fig. 6

Fig. 7