

[54] **LIQUID SOAP DISPENSER**

[75] **Inventor: Carl-Arne Breger, Malmö, Sweden**

[73] **Assignee: Fiskeby Aktiebolag, Norrköping, Sweden**

[**] **Term: 14 Years**

[21] **Appl. No.: 577,136**

[22] **Filed: Feb. 6, 1984**

[30] **Foreign Application Priority Data**

Aug. 19, 1983 [SE] Sweden 83-2123

[52] **U.S. Cl. D6/545**

[58] **Field of Search D6/542, 543, 545; 222/156, 159, 173, 180, 181, 185, 215; 221/282**

[56] **References Cited**

U.S. PATENT DOCUMENTS

D. 150,353 7/1948 Gilmore D6/545
D. 199,663 12/1964 Kuehner D6/545

D. 271,165 11/1983 Lander D6/545
D. 280,167 8/1985 Keck D6/545

Primary Examiner—B. J. Bullock
Assistant Examiner—Suzanne N. Gitlin
Attorney, Agent, or Firm—Frishauf, Holtz, Goodman & Woodward

[57] **CLAIM**

The ornamental design for liquid soap dispenser, substantially as shown.

DESCRIPTION

FIG. 1 is a front elevational view of a liquid soap dispenser showing my new design;
FIG. 2 is a side elevational view taken from the right of FIG. 1;
FIG. 3 is a side elevational view taken from the left of FIG. 1;
FIG. 4 is a rear elevational view thereof;
FIG. 5 is a top plan view thereof;
FIG. 6 is a bottom plan view thereof.

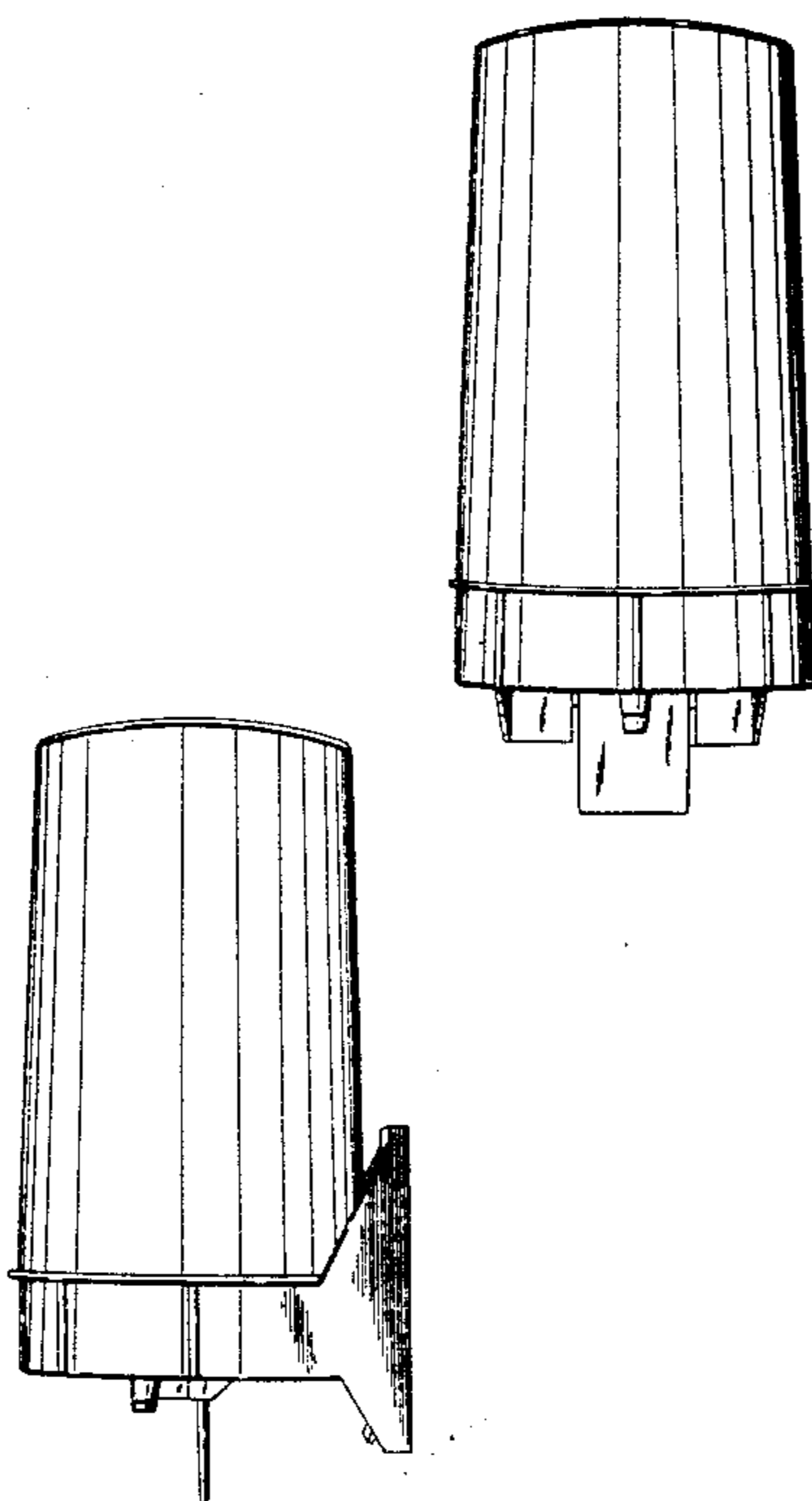


Fig. 1

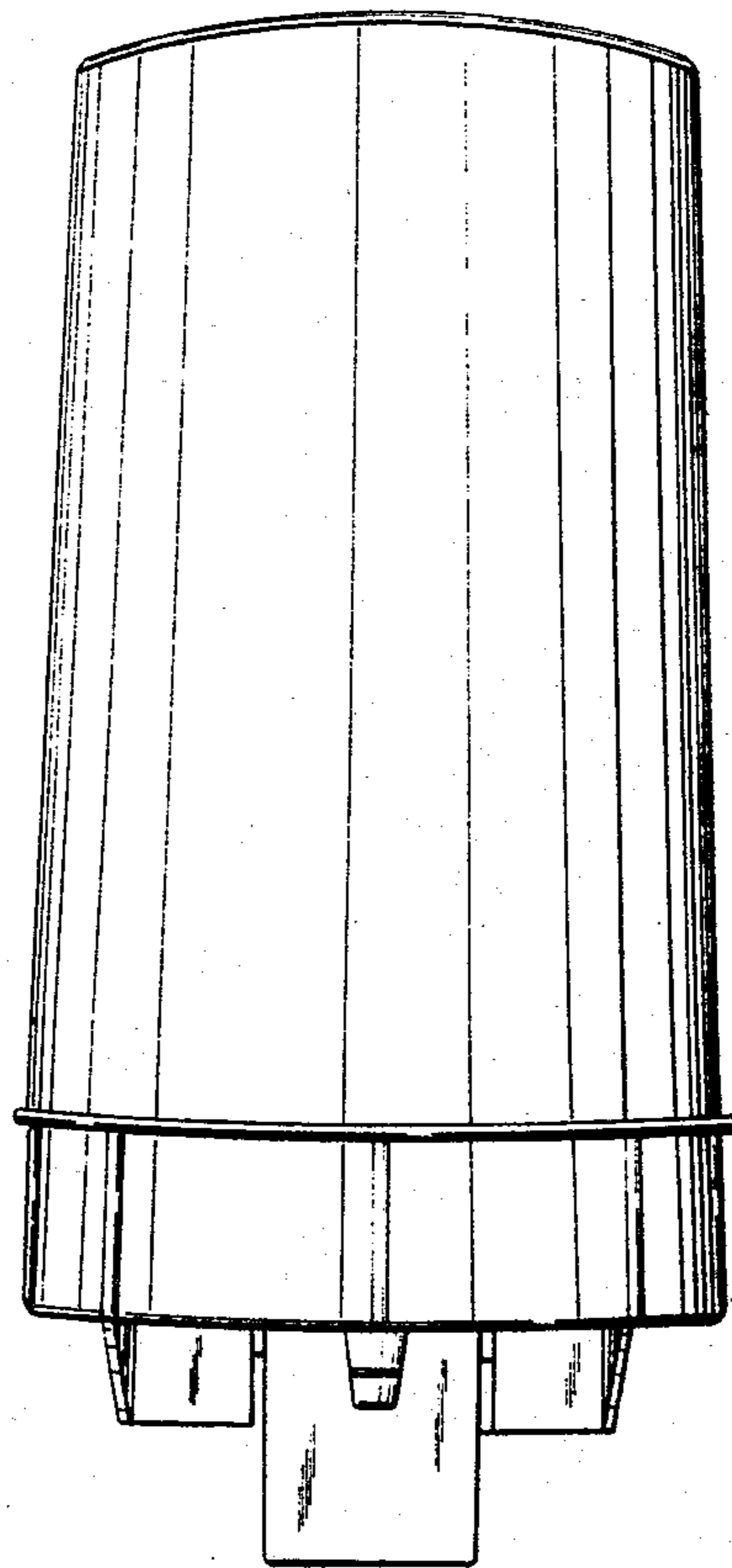
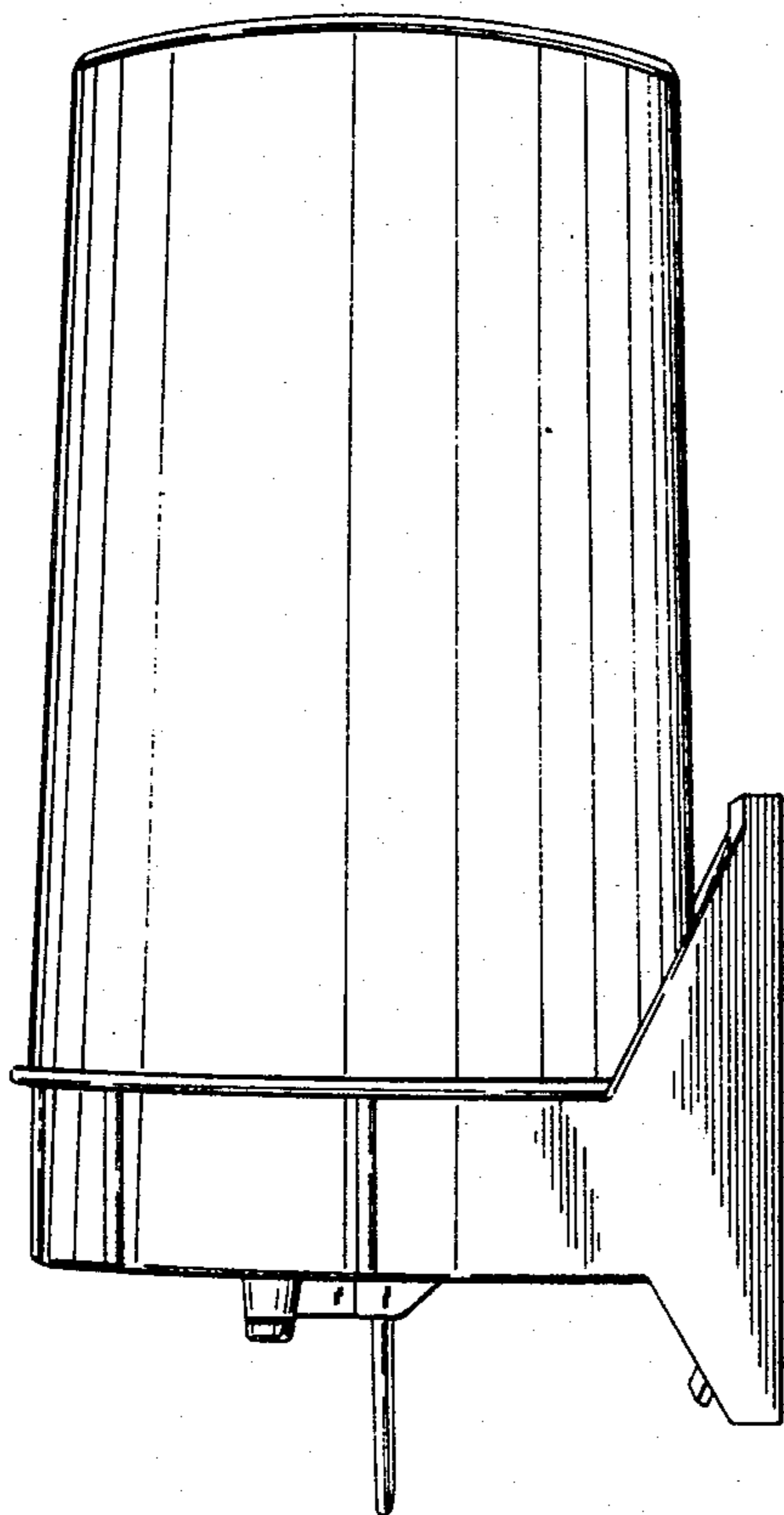


Fig. 2



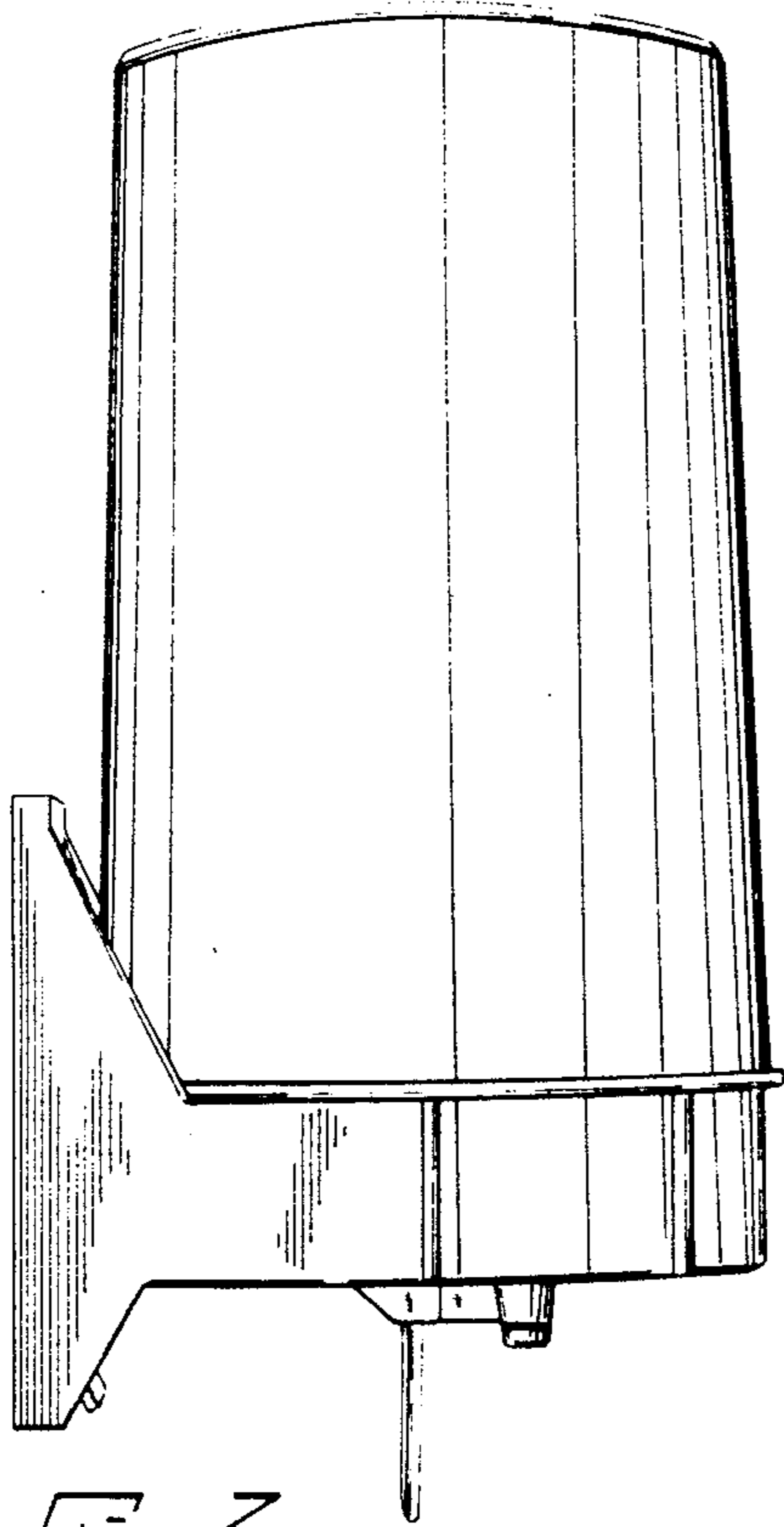


Fig. 3

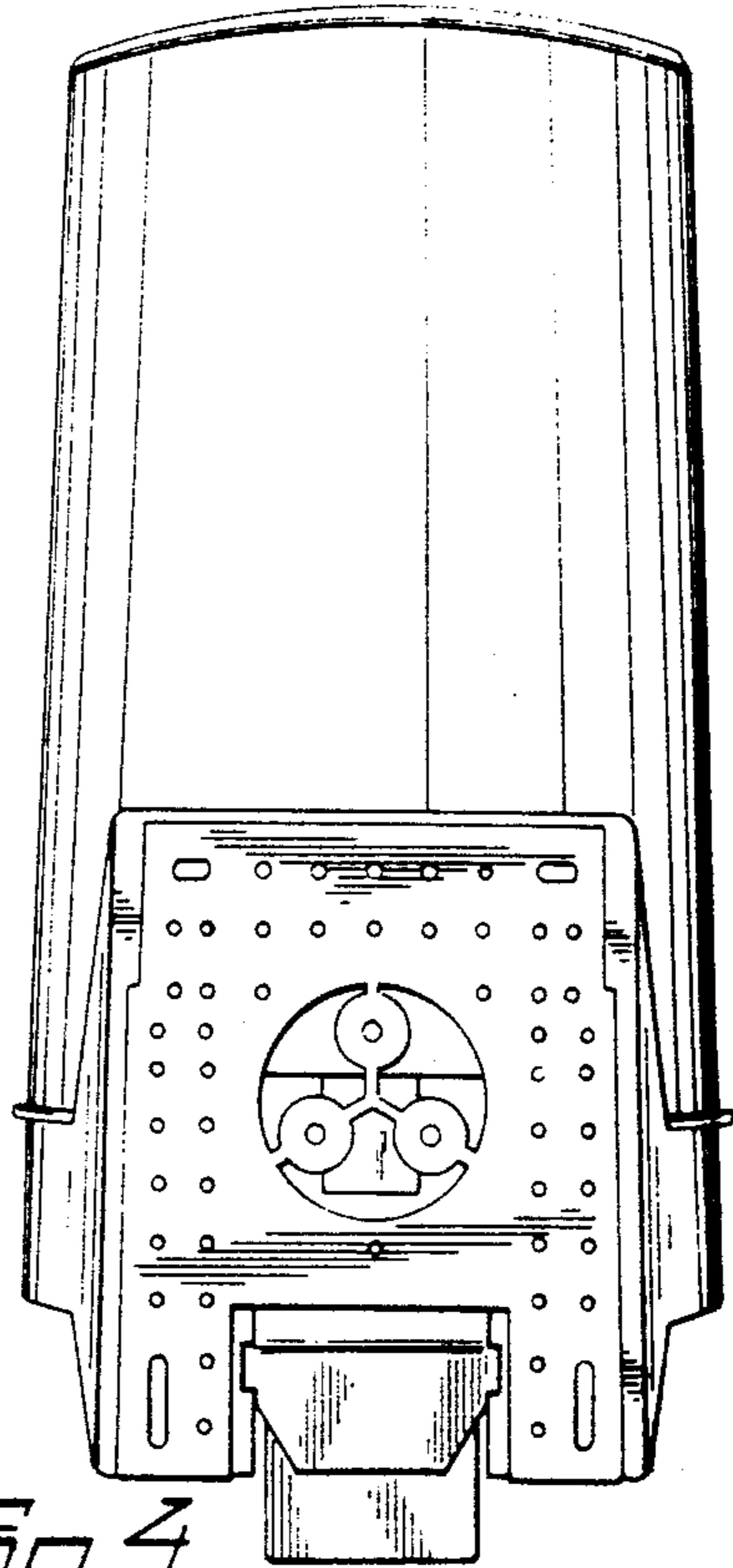


Fig. 4

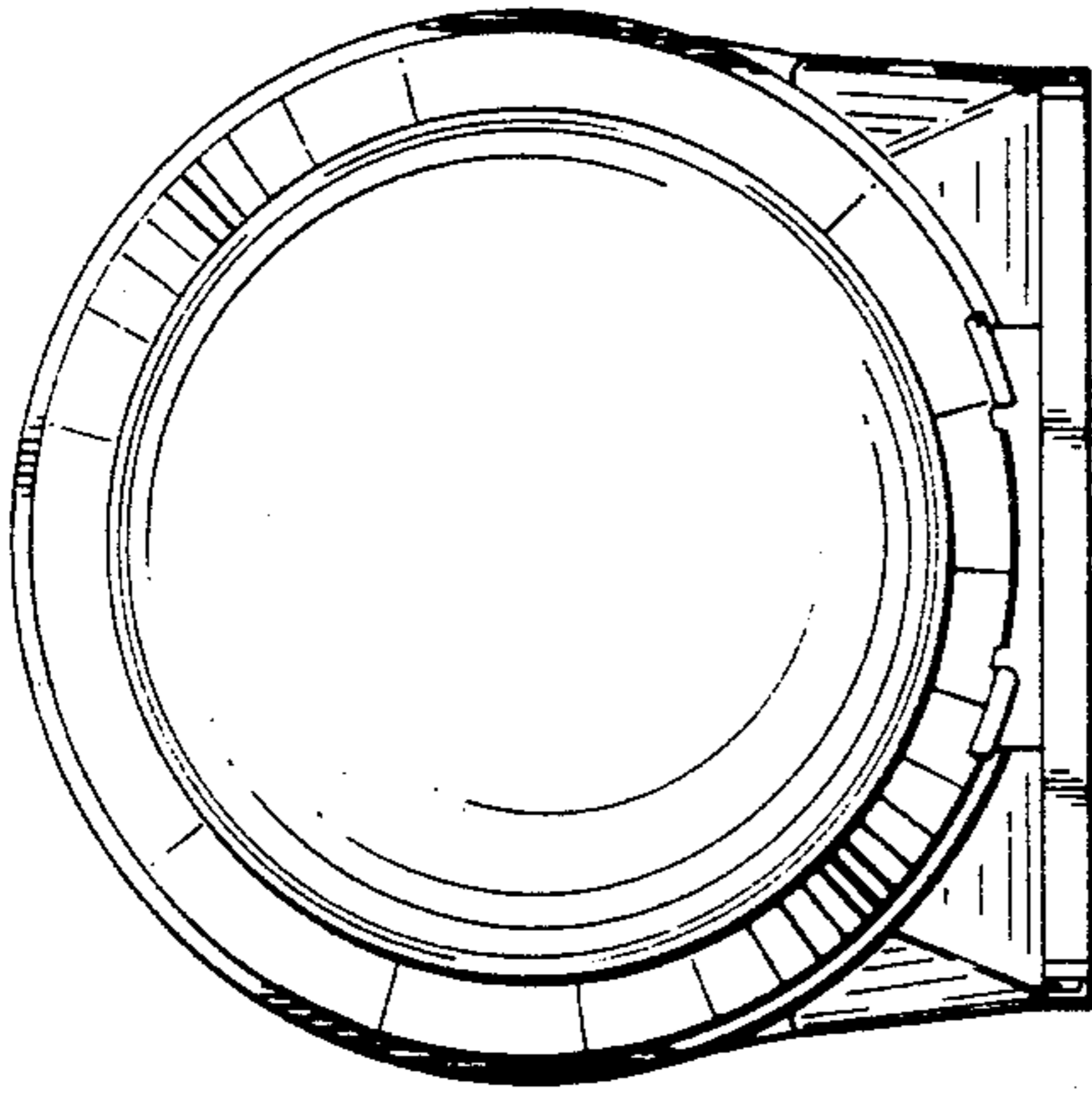


Fig. 5

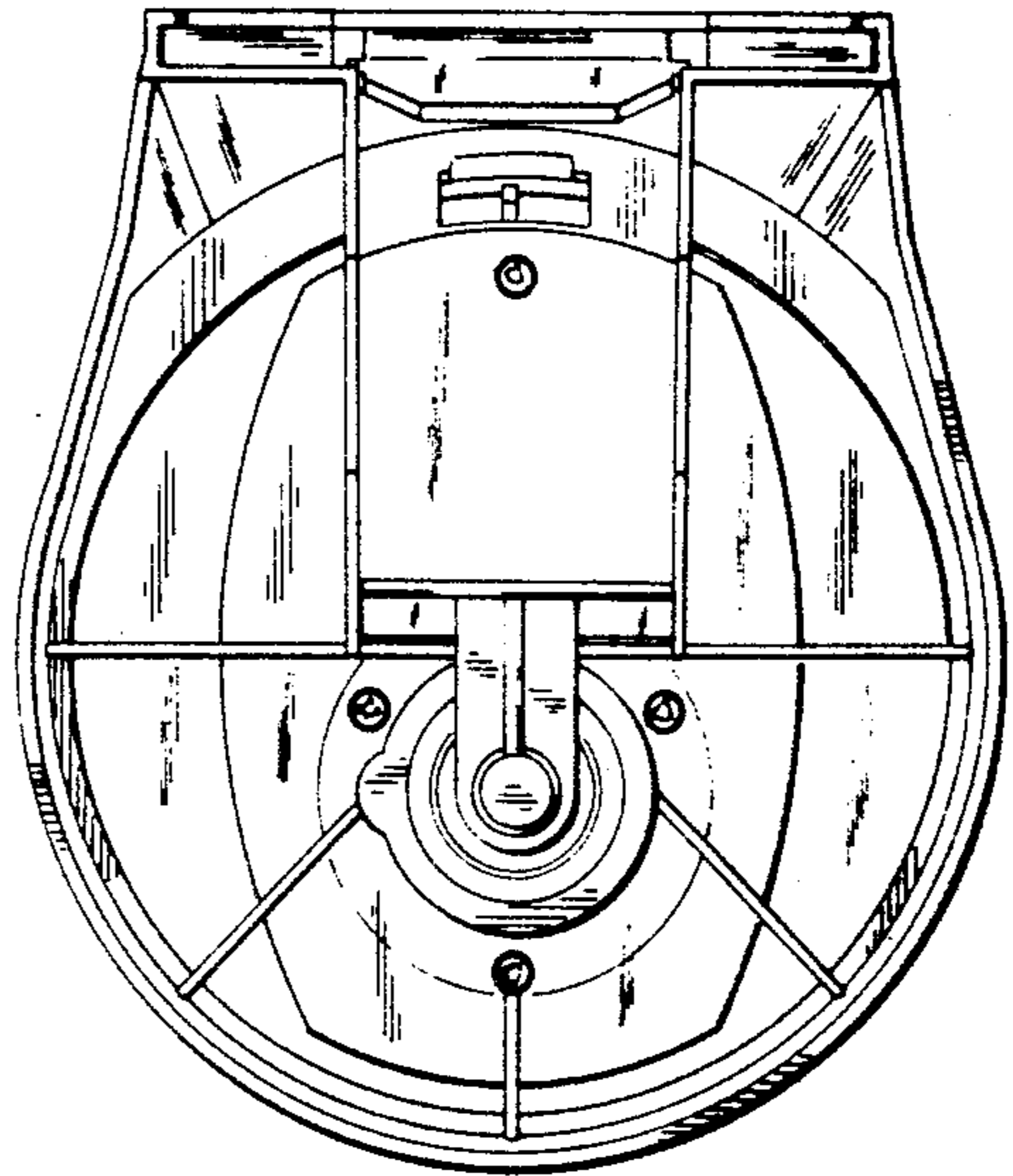


Fig. 6