

[54] DRAWER FRONT OR SIMILAR ARTICLE

DESCRIPTION

[75] Inventors: Robert Case, Chicago, Ill.; A. Ronald Holland, Center Point, Pa.; Joe H. Kennedy, Bay Minette, Ala.

[73] Assignee: Syntex (U.S.A.) Inc., Palo Alto, Calif.

[\*\*] Term: 14 Years

[21] Appl. No.: 514,908

[22] Filed: Jul. 18, 1983

[52] U.S. Cl. .... D6/494; D6/510

[58] Field of Search ..... D6/439, 446, 494, 510, D6/492; 312/204, 209, 320, 324, 214

[56] References Cited

U.S. PATENT DOCUMENTS

D. 144,032	3/1946	Broadbent	.....	D6/439
D. 191,273	9/1961	Knoll	.....	D6/494
D. 195,470	6/1963	Knoll	.....	D6/494
D. 198,320	6/1964	Smith, Jr.	.....	D6/446
D. 200,962	4/1965	McCarthy	.....	D6/494
D. 225,604	12/1972	Miyoshi	.....	D6/494
D. 233,859	12/1974	Tyke et al.	.....	D6/510
D. 238,536	1/1976	Scherzer	.....	D6/510

Primary Examiner—Bruce W. Dunkins

Attorney, Agent, or Firm—Derek P. Freyberg; David A. Lowin

[57] CLAIM

The ornamental design for a drawer front or similar article, substantially as shown and described.

FIG. 1 is a front elevational view of a drawer front, illustrating the ornamental design of the invention;

FIG. 2 is a front perspective view of a drawer front, illustrating the ornamental design of the invention, shown attached to a drawer (not part of the present invention) in phantom line, the drawer being abbreviated to conserve space;

FIG. 3 is a top plan view of a drawer front, illustrating the ornamental design of the invention, shown attached to a drawer (not part of the present invention) in phantom line, the drawer being abbreviated to conserve space;

FIG. 4 is a right side elevational view of a drawer front, illustrating the ornamental design of the invention, shown attached to a drawer (not part of the present invention) in phantom line, the drawer being abbreviated to conserve space;

FIG. 5 is a left side elevational view of a drawer front, illustrating the ornamental design of the invention, shown attached to a drawer (not part of the present invention) in phantom line, the drawer being abbreviated to conserve space;

FIG. 6 is a cross-sectional view of a drawer front, taken along line 6—6 in FIG. 1, illustrating the ornamental design of the invention;

FIG. 7 is a cross-sectional view of a drawer front, taken along line 7—7 in FIG. 1, illustrating the ornamental design of the invention; and

FIG. 8 is a front perspective view of a drawer front, illustrating an alternate embodiment of the ornamental design of the invention.

This application is related to the subject matter of co-pending and commonly assigned U.S. patent application Ser. No. 06/514,917, filed July 18, 1983, for door and drawer front having a recessed grasping surface.

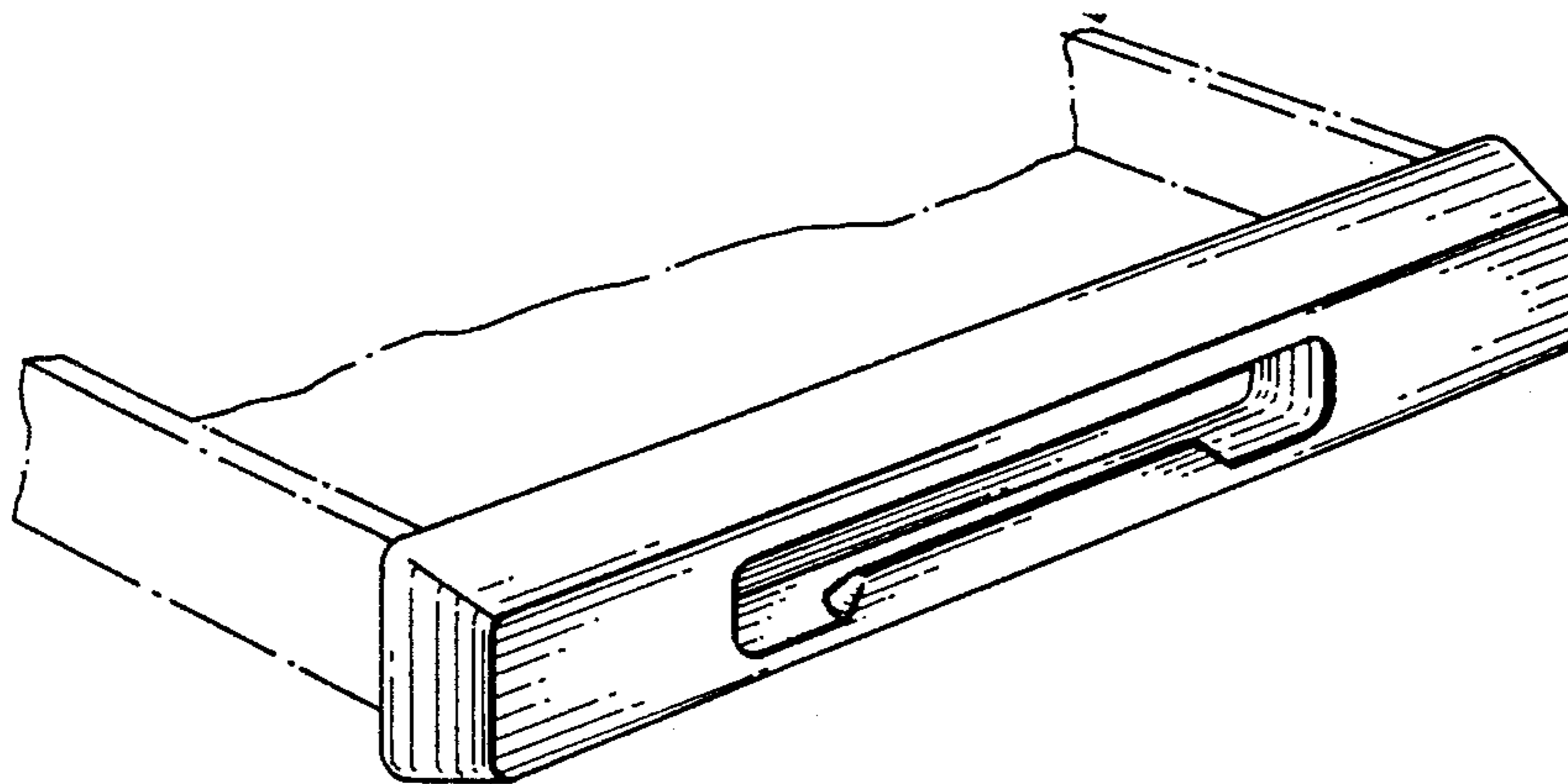


FIG. 1

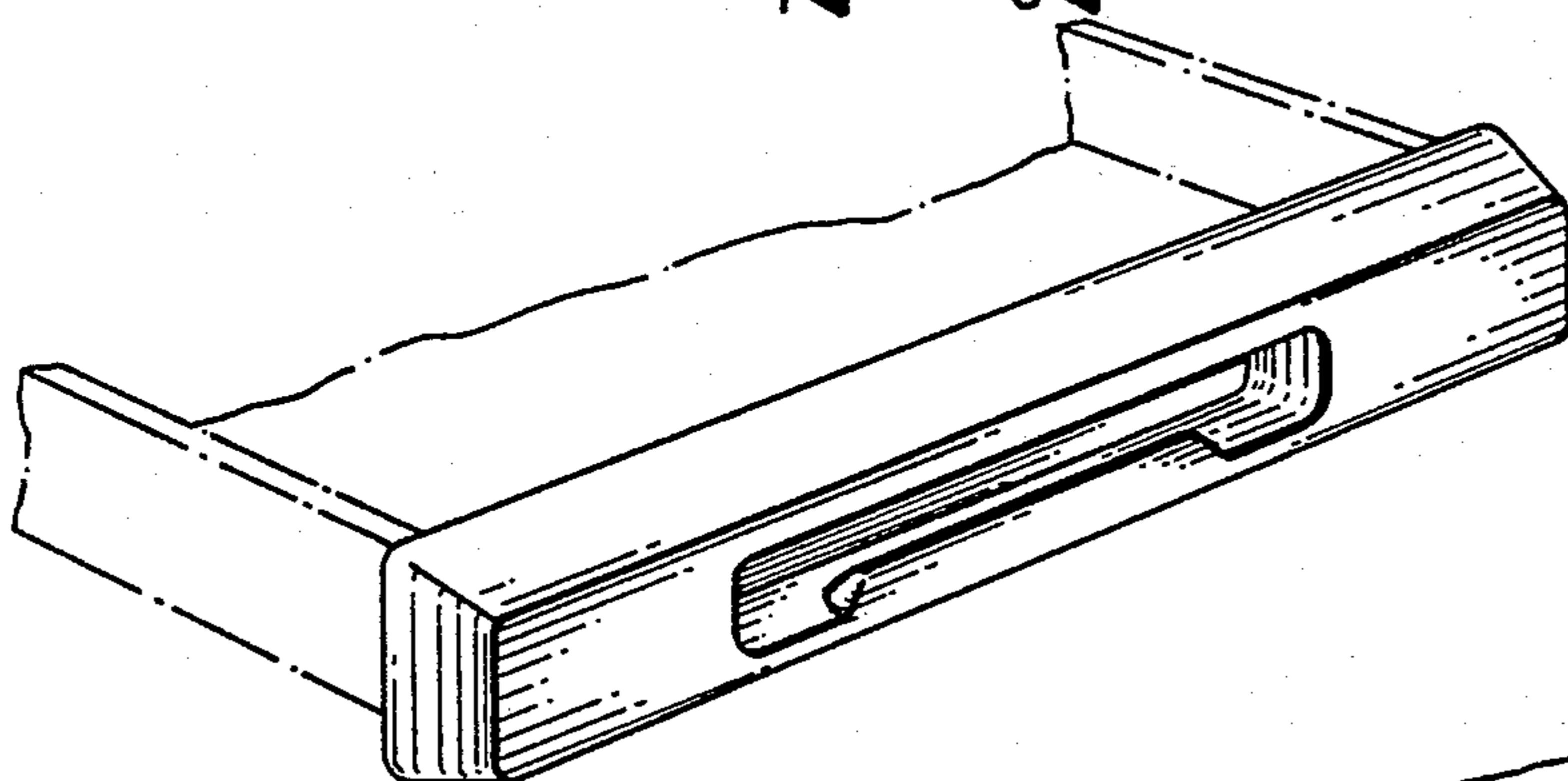
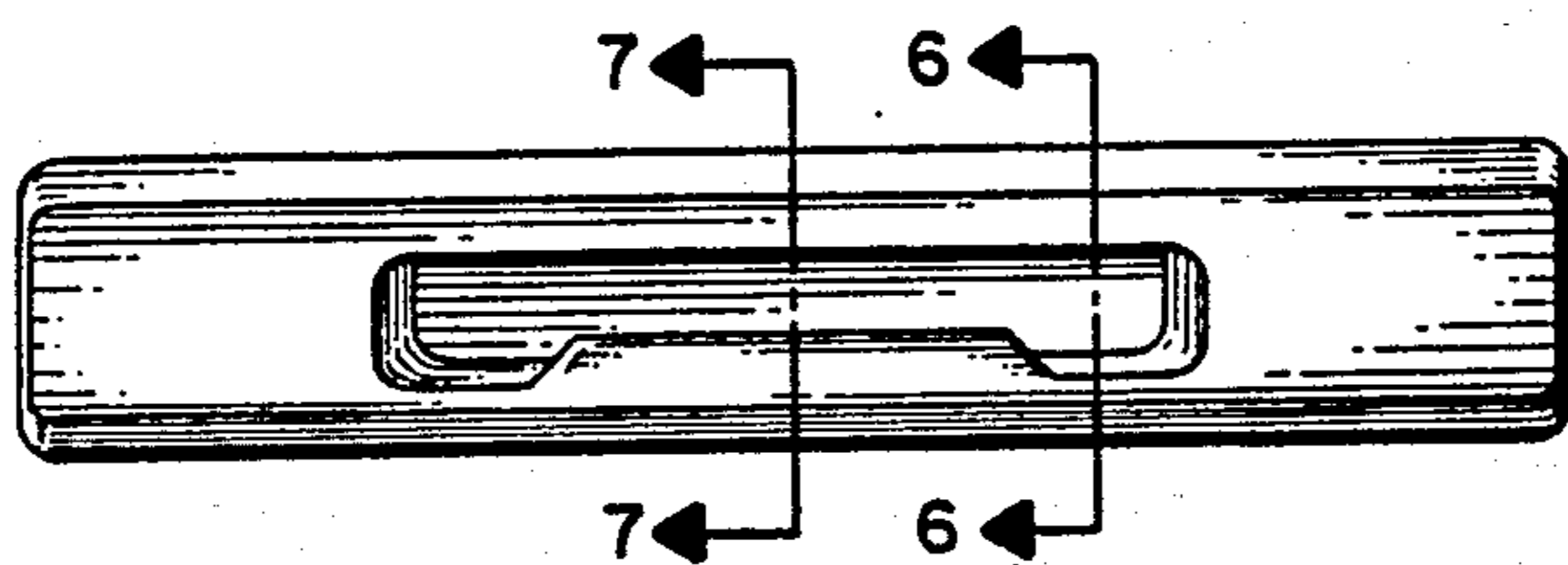


FIG. 2

FIG. 3

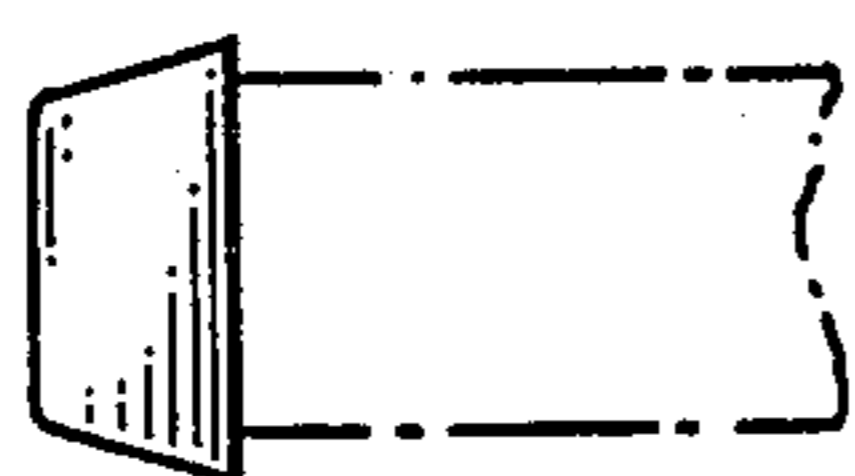
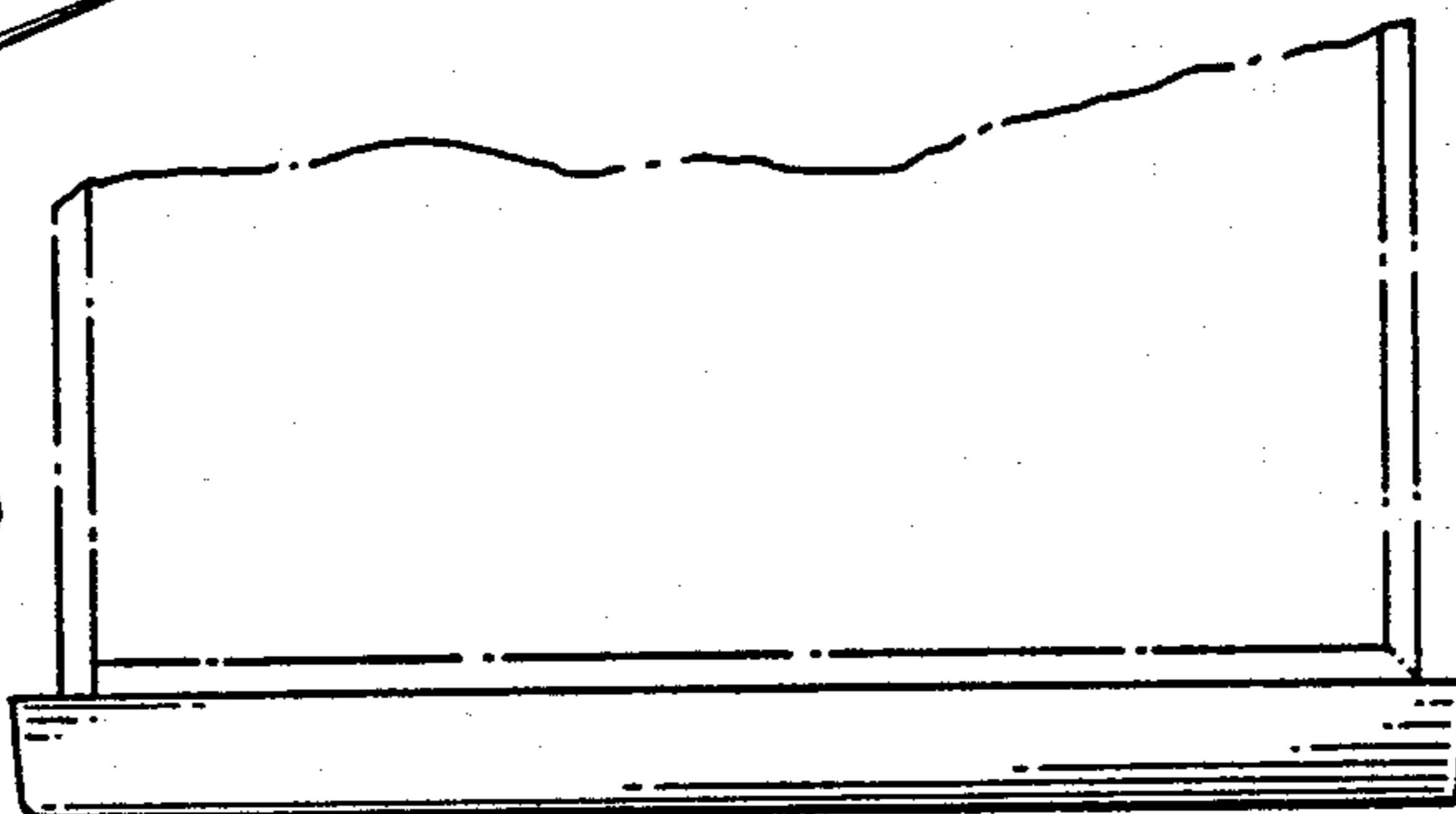


FIG. 4

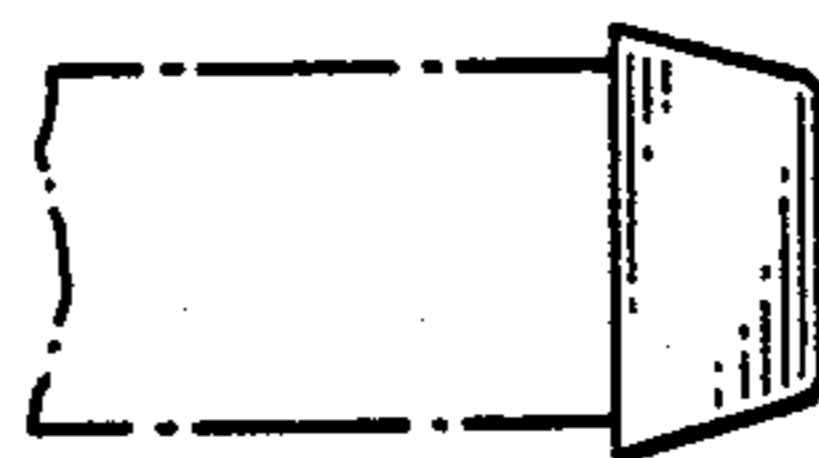


FIG. 5



FIG. 6



FIG. 7

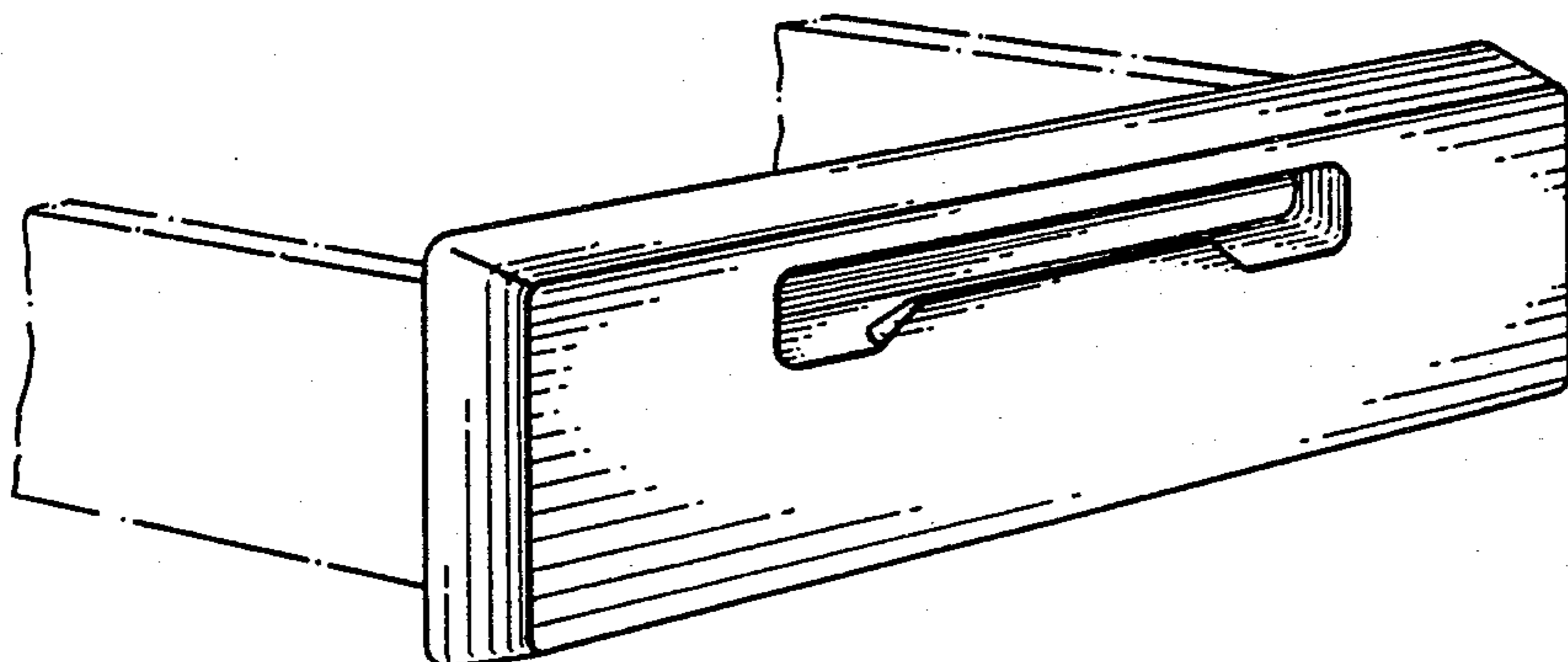


FIG. 8