

[54] **BELT BUCKLE**

[75] Inventor: **Alexis V. Kirk**, New York, N.Y.

[73] Assignee: **Somerset Moon Ltd.**, New York, N.Y.

[**] Term: **14 Years**

[21] Appl. No.: **675,348**

[22] Filed: **Nov. 27, 1984**

[52] U.S. Cl. **D2/422; D2/414**

[58] **Field of Search** **D2/380, 381, 384, 385, D2/393, 394, 405, 406, 408-410, 414, 417, 418, 420-424, 426, 427, 429, 431, 434, 437, 441-448; 24/163 K, 169, 171, 176, 180, 186, 194, 196-198, 200, 308-310, 312**

[56] **References Cited**

U.S. PATENT DOCUMENTS

D. 36,487 8/1903 Prahar D2/405
D. 202,867 11/1965 Brady D2/380

OTHER PUBLICATIONS

Fashion Accessories, Dec. 1982, p. 13, top center of page—Double Tobacco Leaf.

Primary Examiner—Bernard Ansher

Assistant Examiner—Theodore M. Shooman

Attorney, Agent, or Firm—Frishauf & Partners

[57] **CLAIM**

The ornamental design for belt buckle, as shown and described.

DESCRIPTION

FIG. 1 is a front elevational view of a belt buckle showing my new design;

FIG. 2 is a rear elevational view thereof;

FIG. 3 is a top plan view thereof, the bottom plan view being a mirror image;

FIG. 4 is a right side elevational view thereof, the left side elevational view being a mirror image;

FIG. 5 is a front elevational view thereof, showing the buckle in an open position;

FIG. 6 is a front elevational view of a second embodiment of the belt buckle shown in FIG. 1;

FIG. 7 is a rear elevational view of the embodiment disclosed in FIG. 6;

FIG. 8 is a top plan view of the embodiment disclosed in FIG. 6, the bottom plan view being a mirror image;

FIG. 9 is a right side elevational view of the embodiment disclosed in FIG. 6, the left side elevational view being a mirror image; and

FIG. 10 is a front elevational view of the embodiment disclosed in FIG. 6, showing the buckle in an open position.

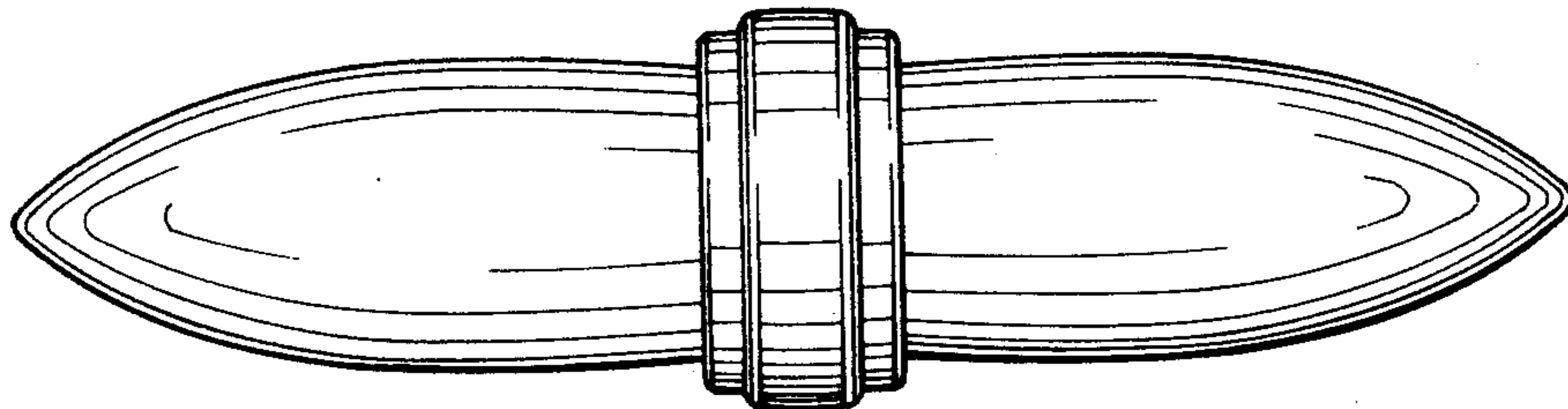


Fig. 1

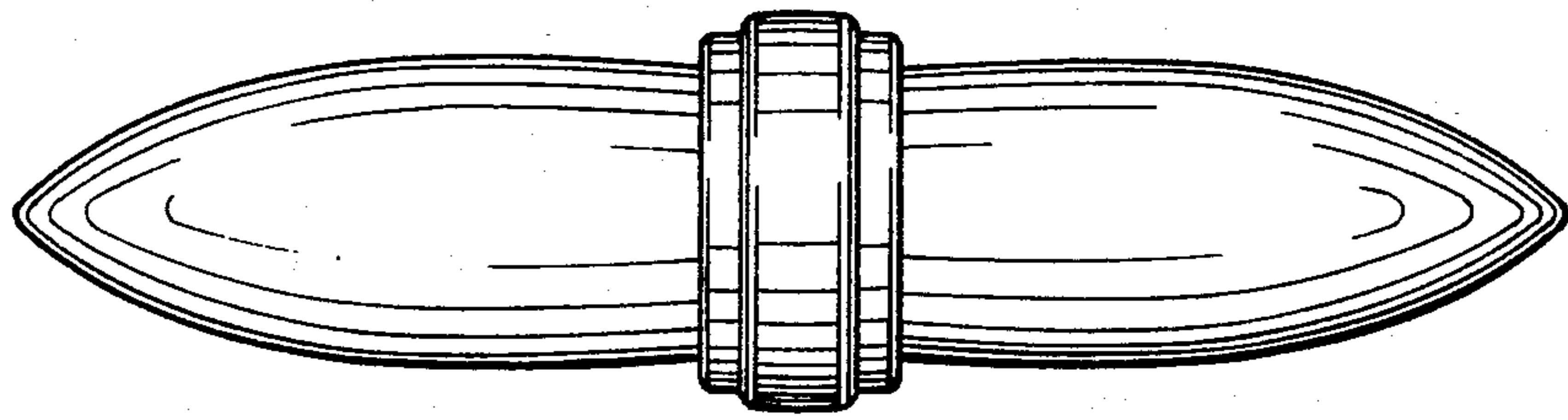


Fig. 2

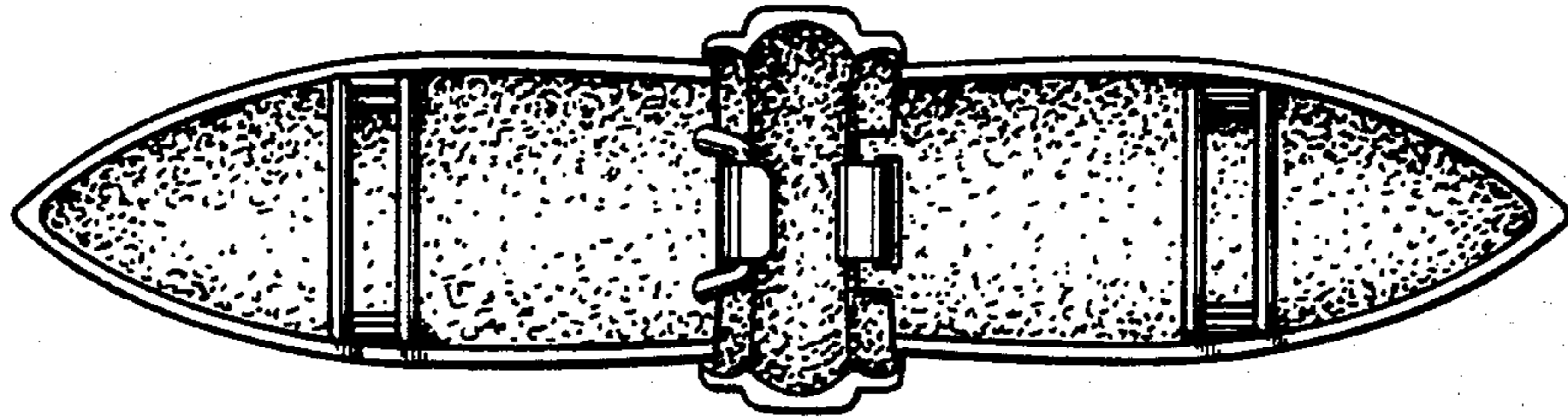


Fig. 3

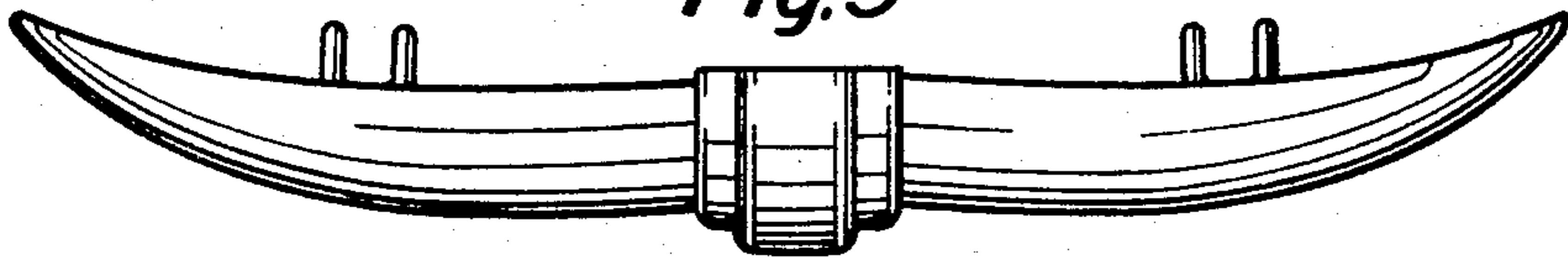


Fig. 4



Fig. 5

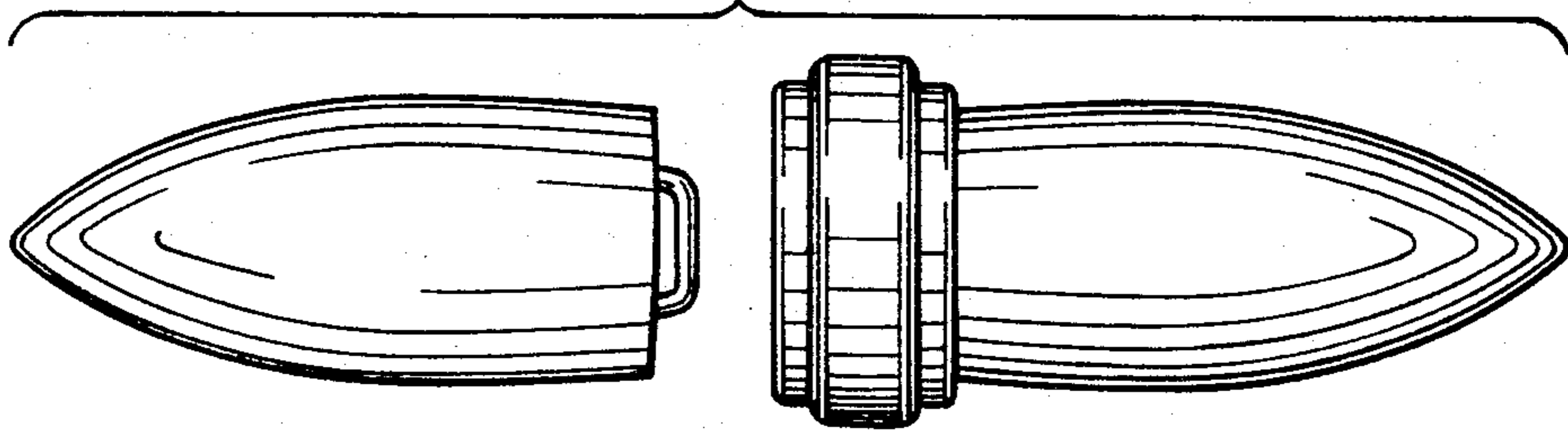


Fig. 6

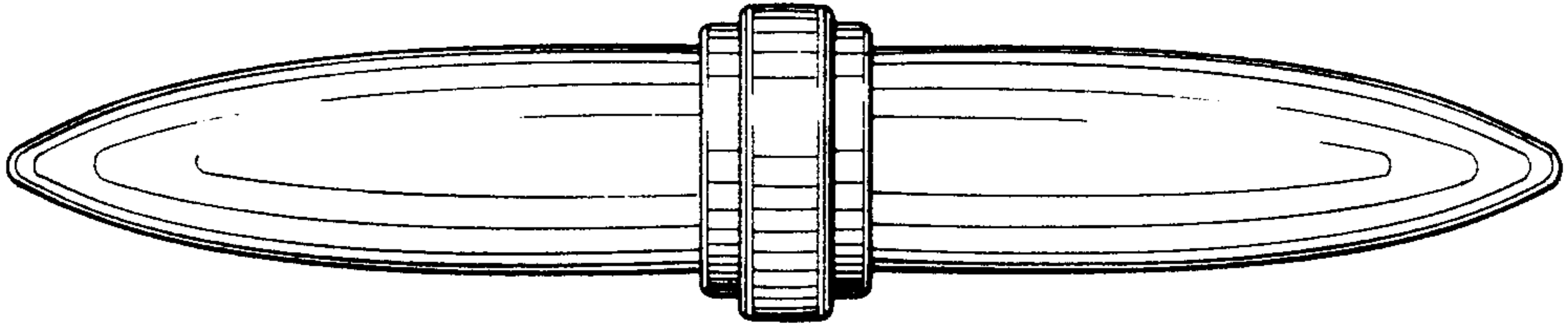


Fig. 7

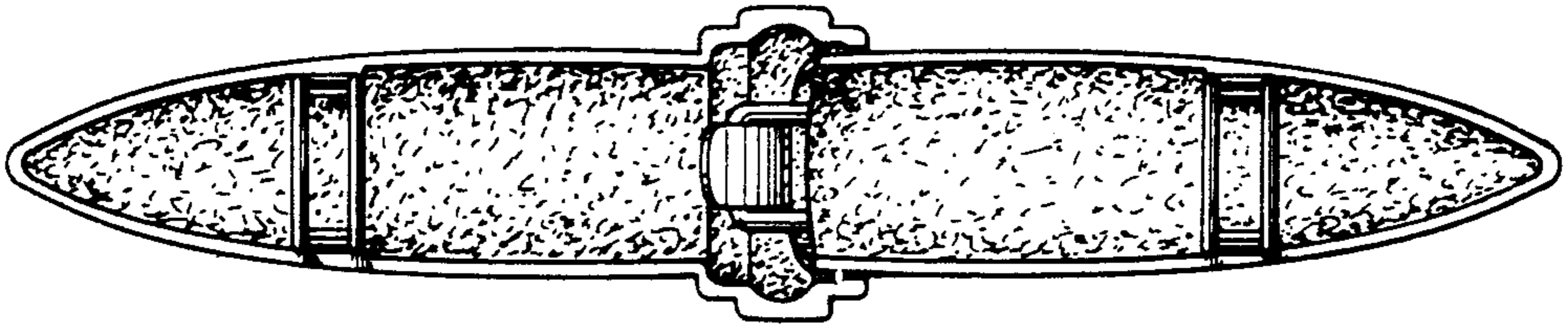


Fig. 8

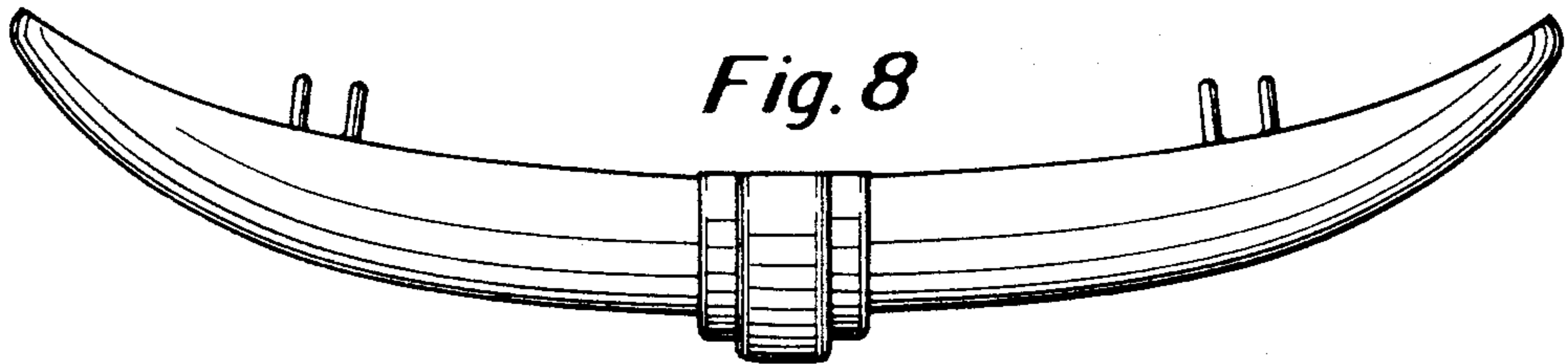


Fig. 9

