

[54] CART

3,272,528 9/1966 Young et al. 280/47.35
3,797,842 3/1974 Swick, Jr. et al. 280/47.35

[75] Inventor: Howard M. C. Tanner, Salt Lake City, Utah

Primary Examiner—James M. Gandy
Attorney, Agent, or Firm—B. B. Olive

[73] Assignee: HGM, Inc., Salt Lake City, Utah

[57] CLAIM

[**] Term: 14 Years

The ornamental design for a cart, as shown and described.

[21] Appl. No.: 480,732

DESCRIPTION

[22] Filed: Mar. 31, 1983

[52] U.S. Cl. D34/21

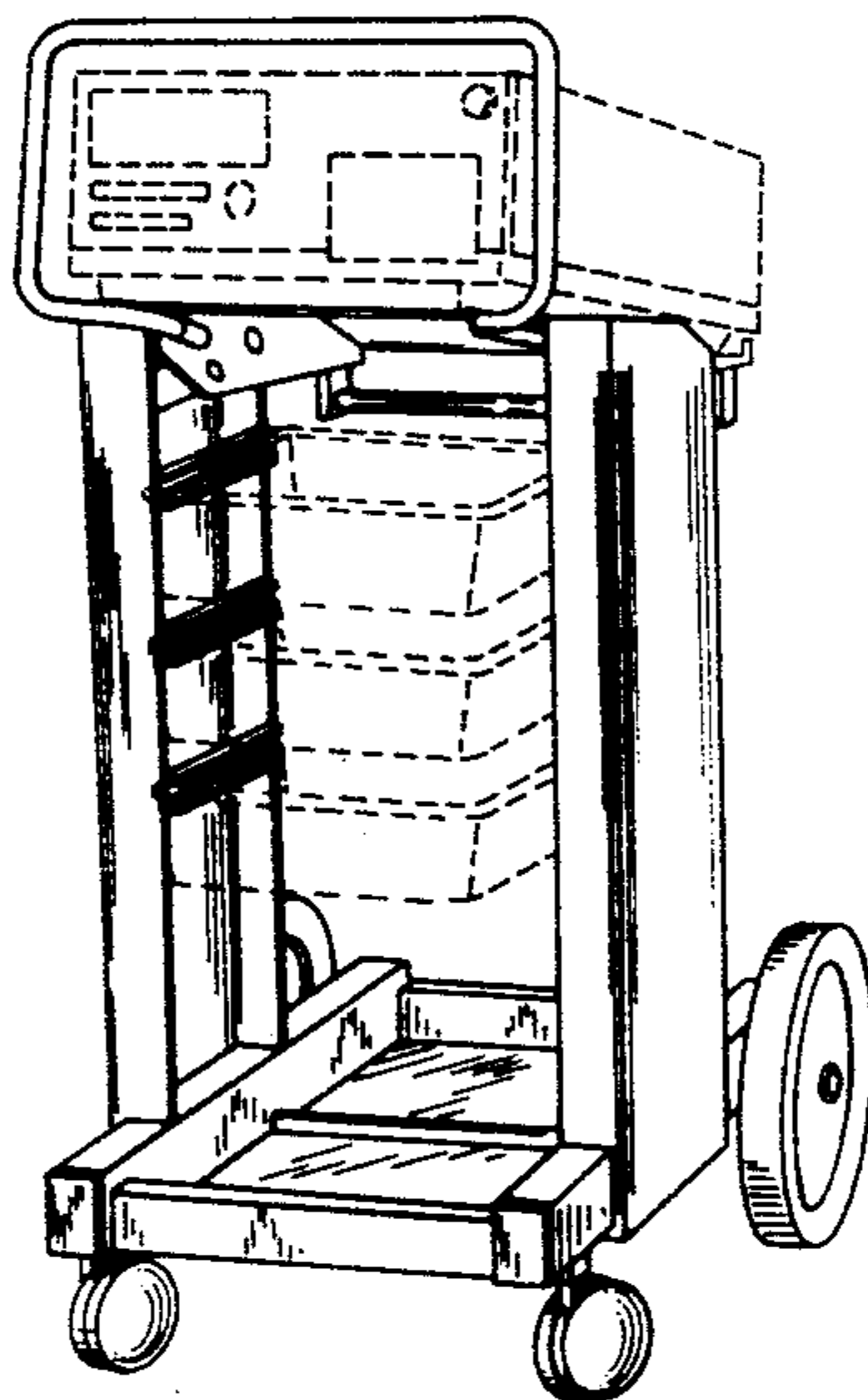
[58] Field of Search D34/12, 17, 20, 21, D34/23; 280/79.1 R, 79.3, 47.35; D24/1.1

FIG. 1 is a front perspective view of a cart showing my new design, the broken lines representing a medical laser apparatus and associated trays positioned on the cart and shown for illustrative purposes only; FIG. 2 is a side elevation view of the cart of FIG. 1, the laterally opposite side being a mirror image thereof; FIG. 3 is a top plan view thereof; FIG. 4 is a front elevation view thereof; and FIG. 5 is a rear elevation view thereof.

[56] References Cited

U.S. PATENT DOCUMENTS

- D. 153,934 5/1949 Goodmer D24/1.1
- D. 182,716 5/1958 Ferguson D34/21



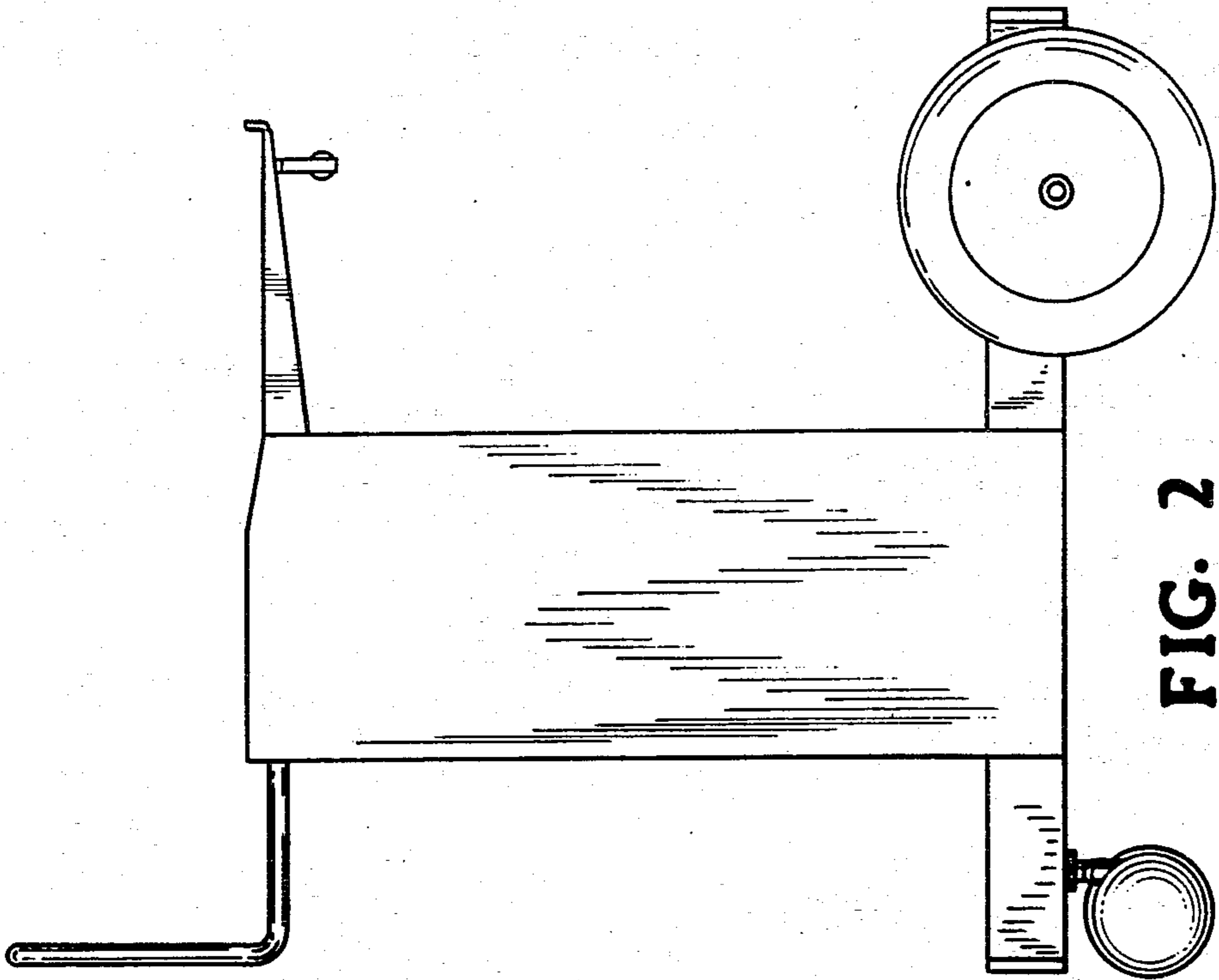


FIG. 2

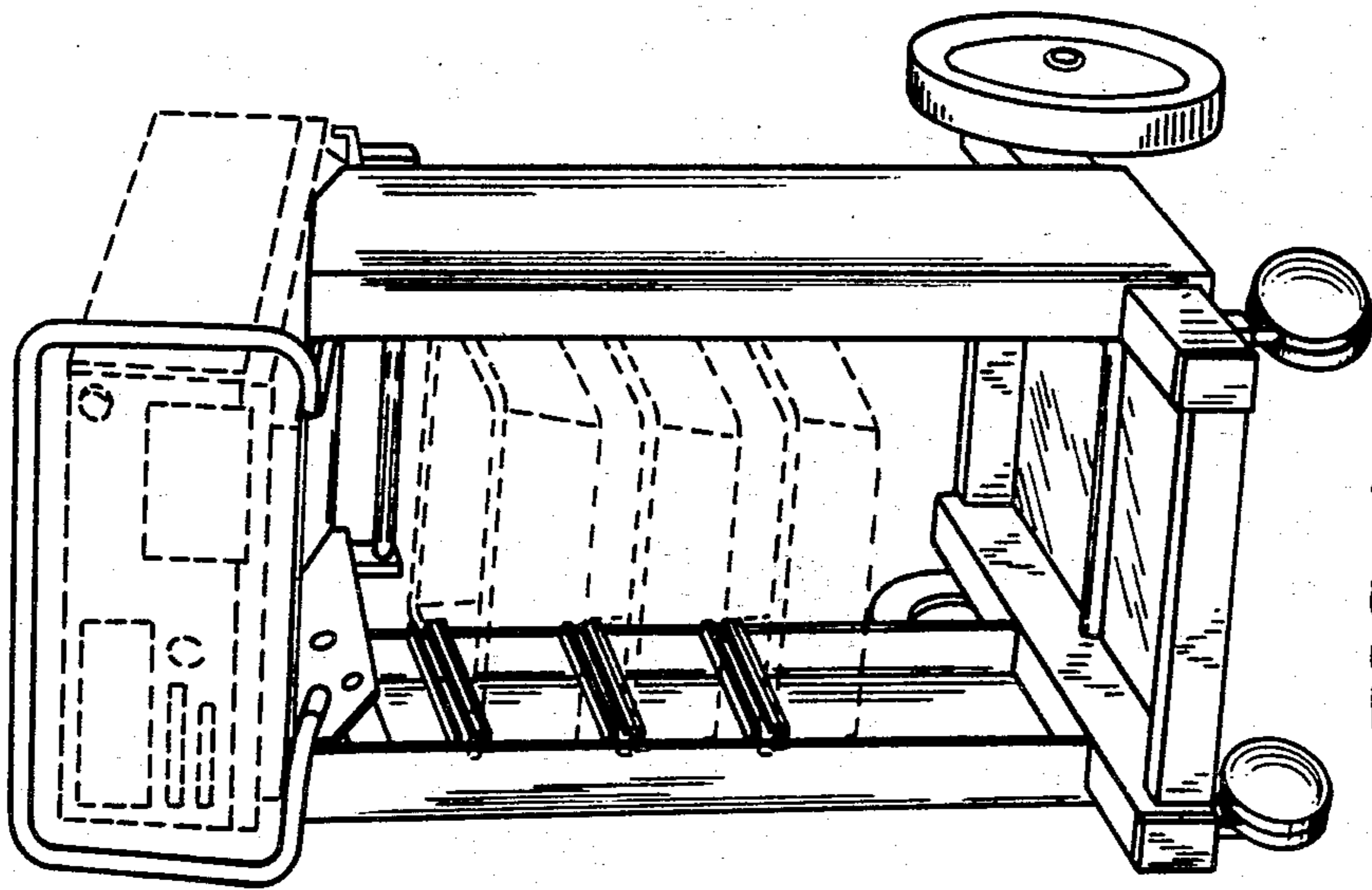


FIG. 1

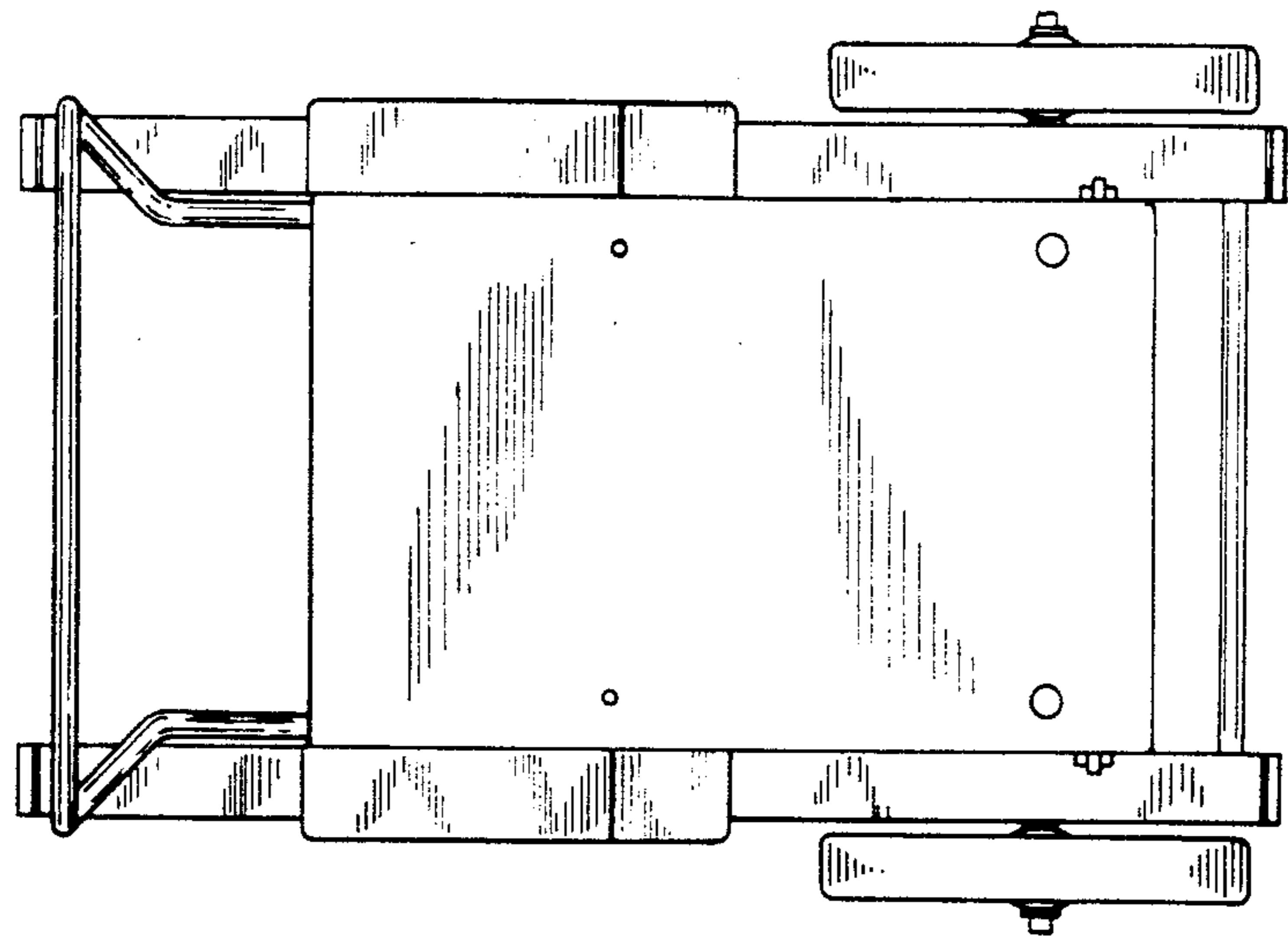


FIG. 3

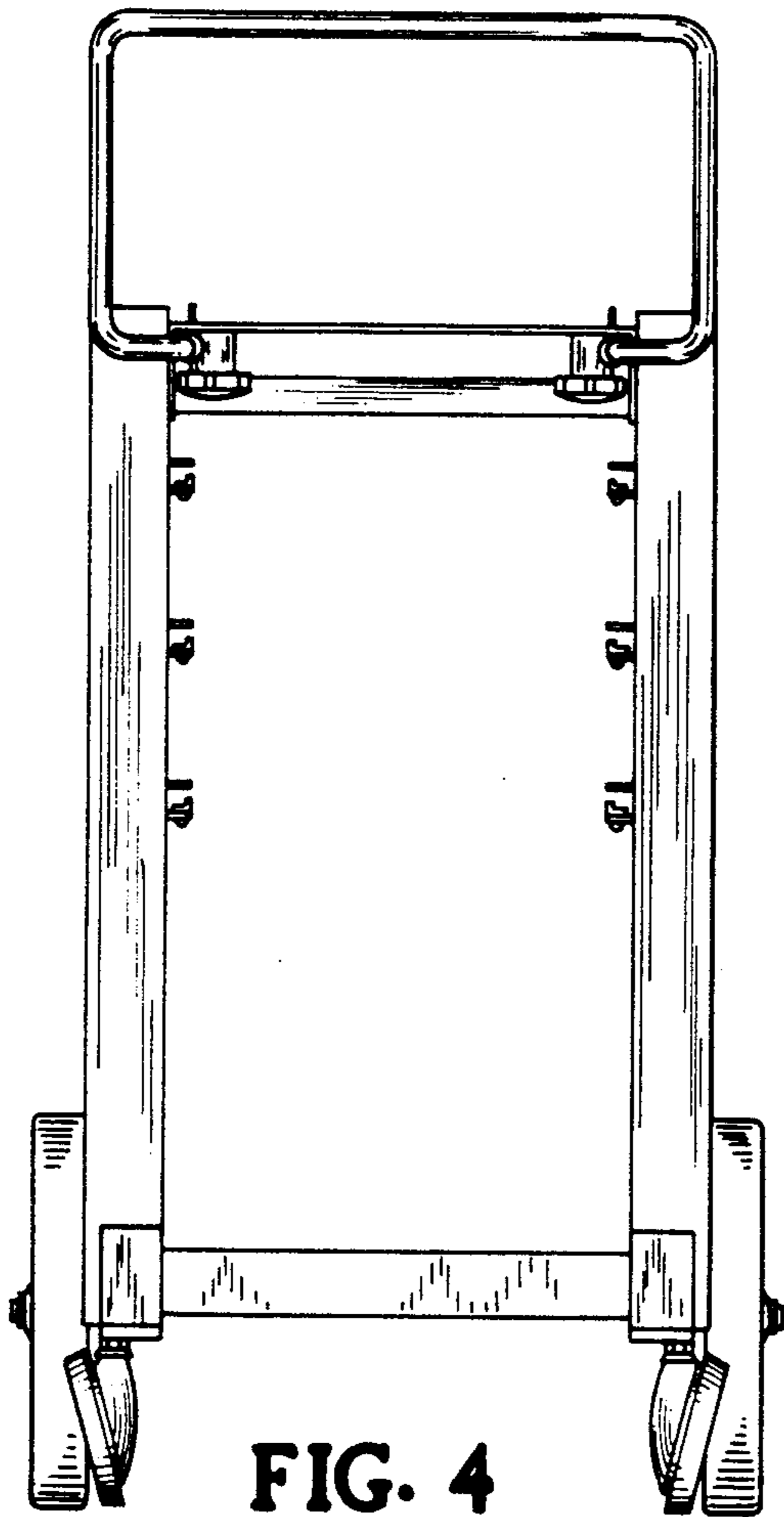


FIG. 4

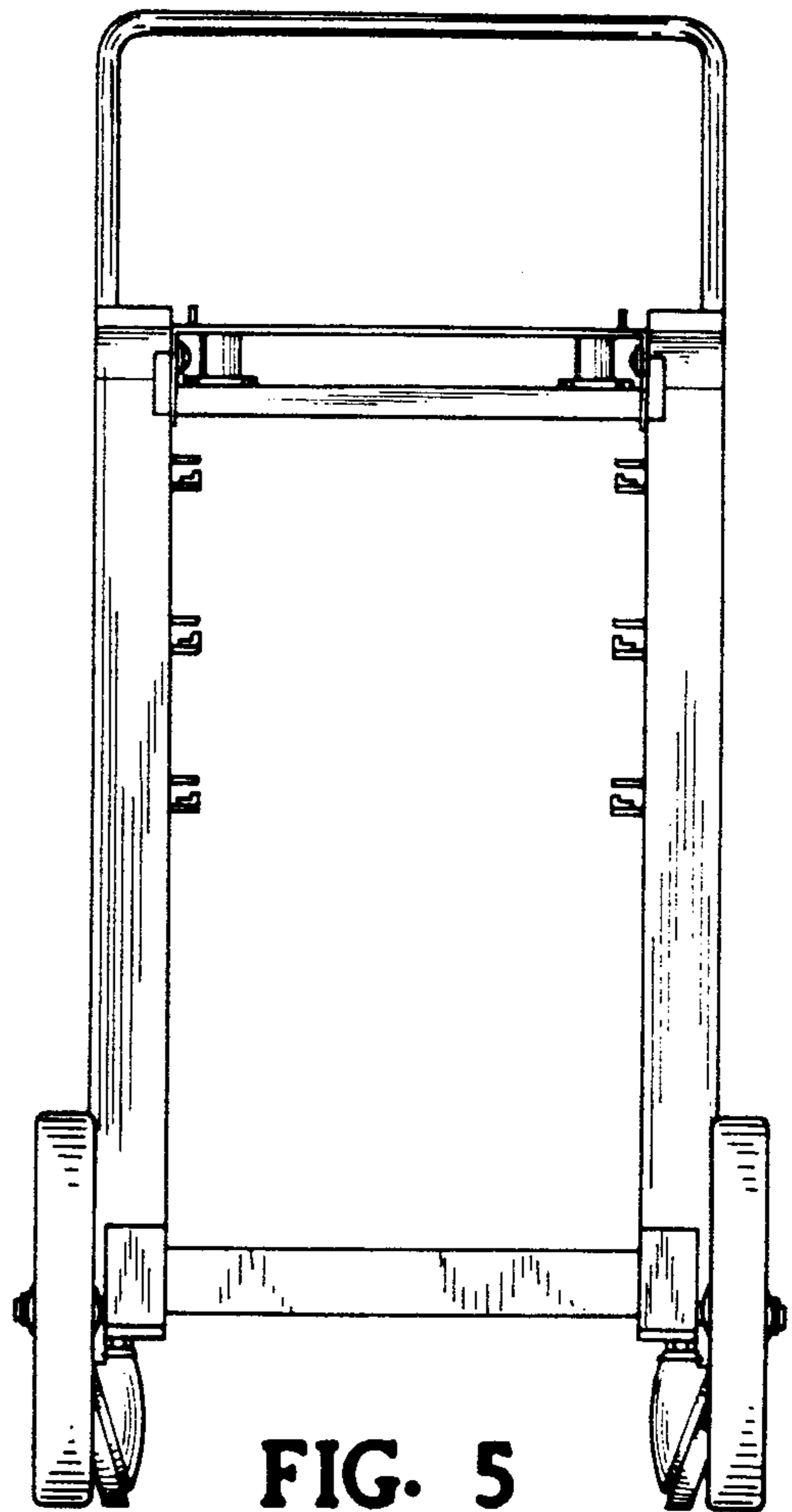


FIG. 5