

[54] STEAM IRON

[75] Inventors: Franz A. Stutzer; Michael Knochner, both of Offenbach am Main, Fed. Rep. of Germany

[73] Assignee: Rowenta-Werke, GmbH, Fed. Rep. of Germany

[**] Term: 14 Years

[21] Appl. No.: 636,973

[22] Filed: Aug. 2, 1984

[30] Foreign Application Priority Data

Feb. 4, 1984 [DE] Fed. Rep. of Germany 5 MR 10507

[52] U.S. Cl. D32/70

[58] Field of Search 38/69, 74, 75, 77.1-77.9, 38/88, 94, 96, 142; D32/68-73; 219/245-259, 271-276

[56] References Cited

U.S. PATENT DOCUMENTS

- D. 201,041 5/1965 Hardaker D32/70
- D. 214,753 7/1969 Schellens D32/70
- D. 240,997 8/1976 Julkenbeck D32/70

- D. 267,673 1/1983 Ernest et al. D32/70
- D. 269,133 5/1983 Ernest et al. D32/70
- 3,413,741 12/1968 Schwartz, Jr. et al. 38/77.3
- 3,949,499 4/1976 Schaeffer et al. 38/77.3
- 4,484,399 11/1984 Biancalani 38/77.3

FOREIGN PATENT DOCUMENTS

2654781 12/1977 Fed. Rep. of Germany 38/77.1

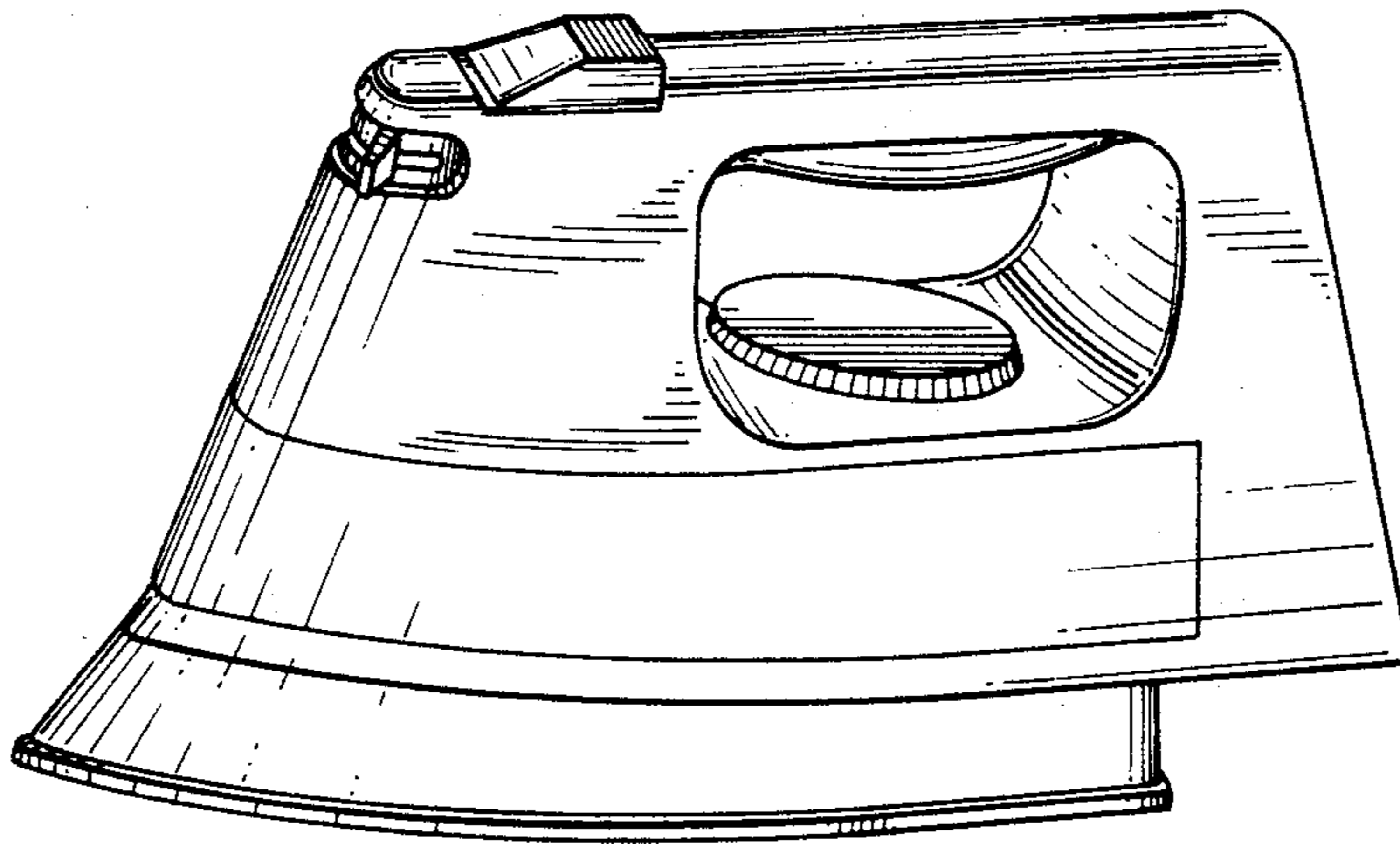
Primary Examiner—Catherine E. Kemper
Attorney, Agent, or Firm—Neil M. Rose; Clifford A. Dean

[57] CLAIM

The ornamental design for a steam iron, as shown and described.

DESCRIPTION

FIG. 1 is a perspective view of a steam iron showing our new design;
 FIG. 2 is a side elevational view showing the side opposite that shown in FIG. 1;
 FIG. 3 is a front end elevational view thereof;
 FIG. 4 is a rear end elevational view thereof;
 FIG. 5 is a top plan view thereof;
 FIG. 6 is a bottom plan view thereof; and
 FIG. 7 is a perspective view thereof similar to FIG. 1 but with the removable reservoir removed.



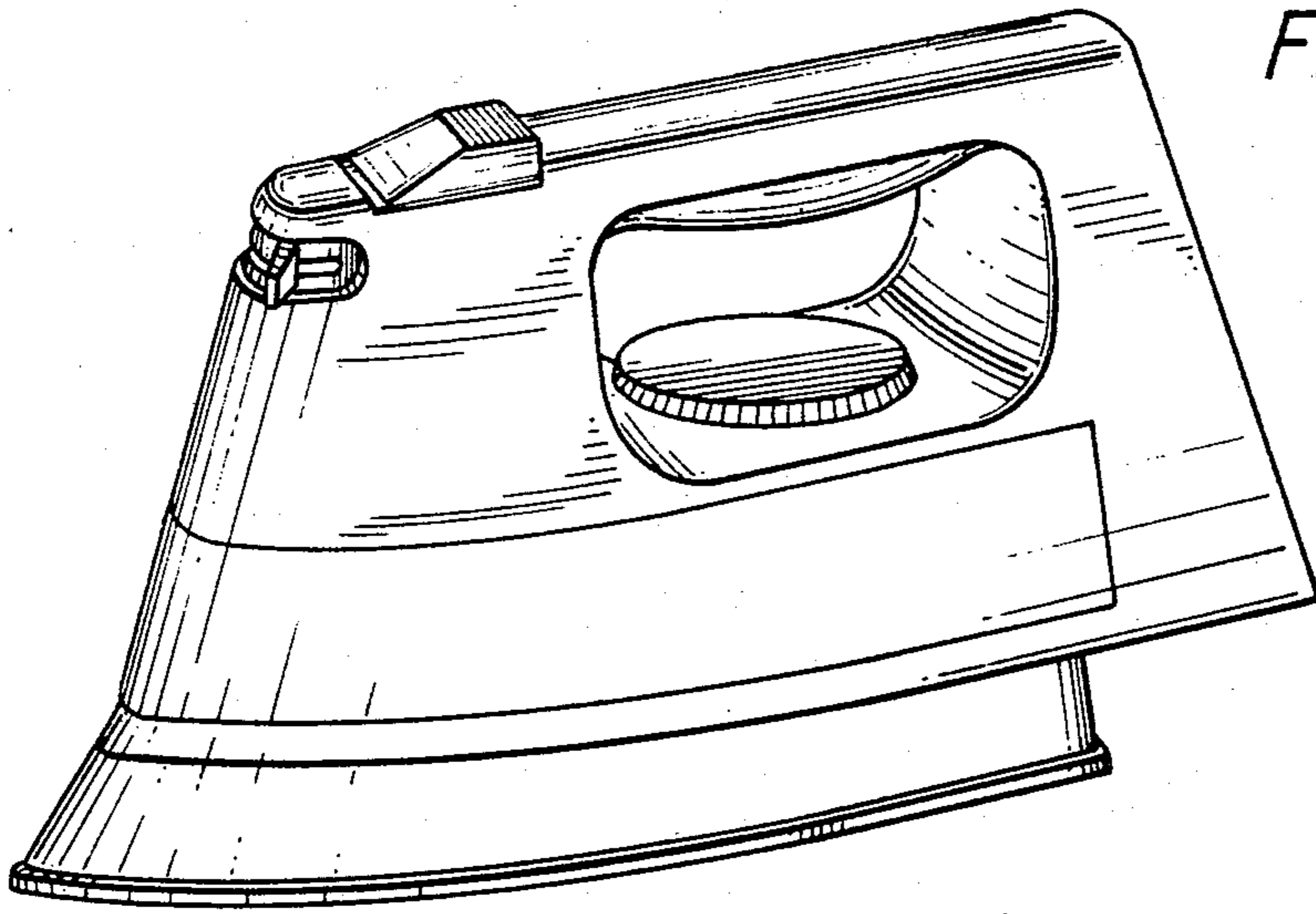


Fig. 1

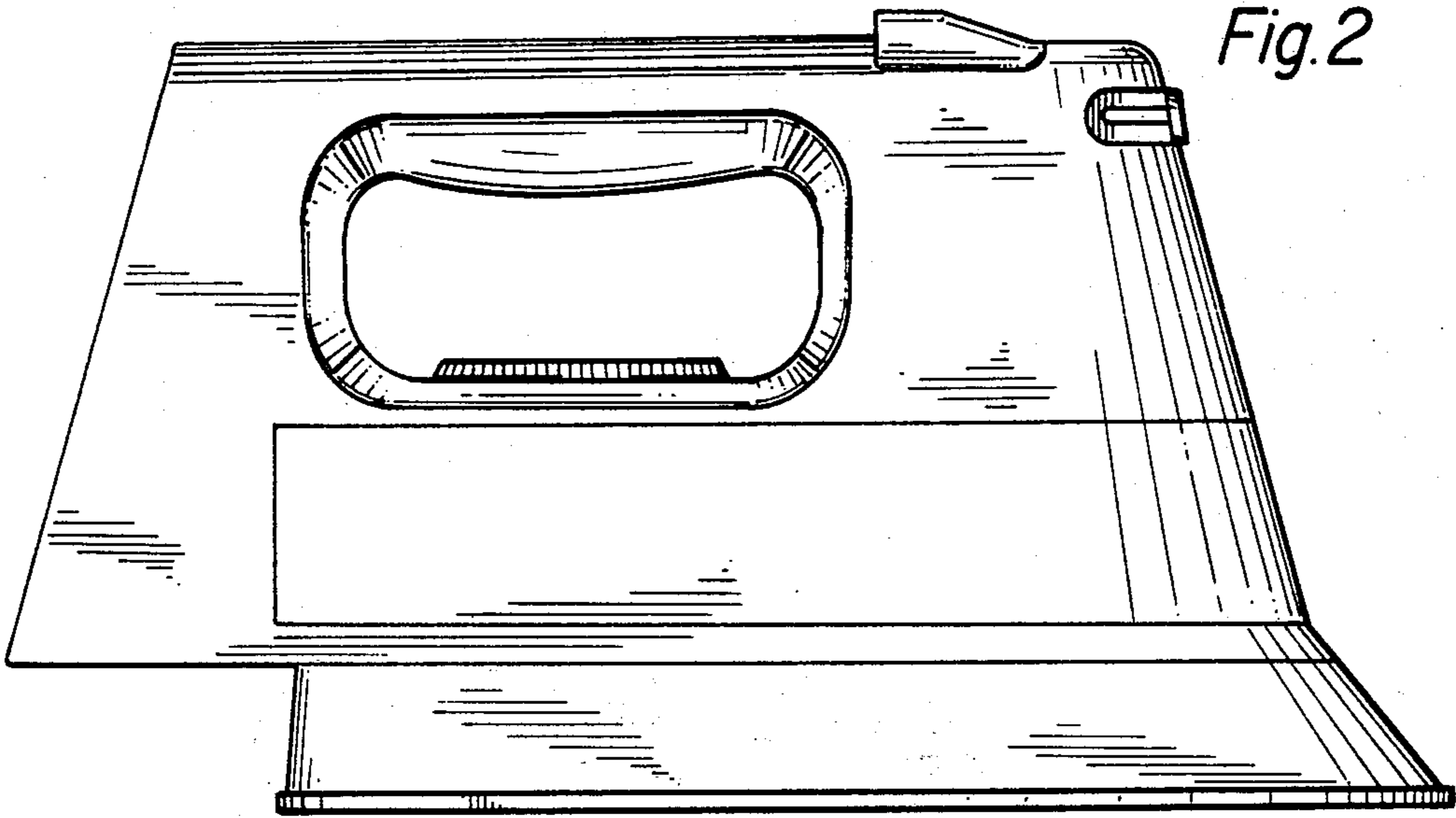


Fig. 2

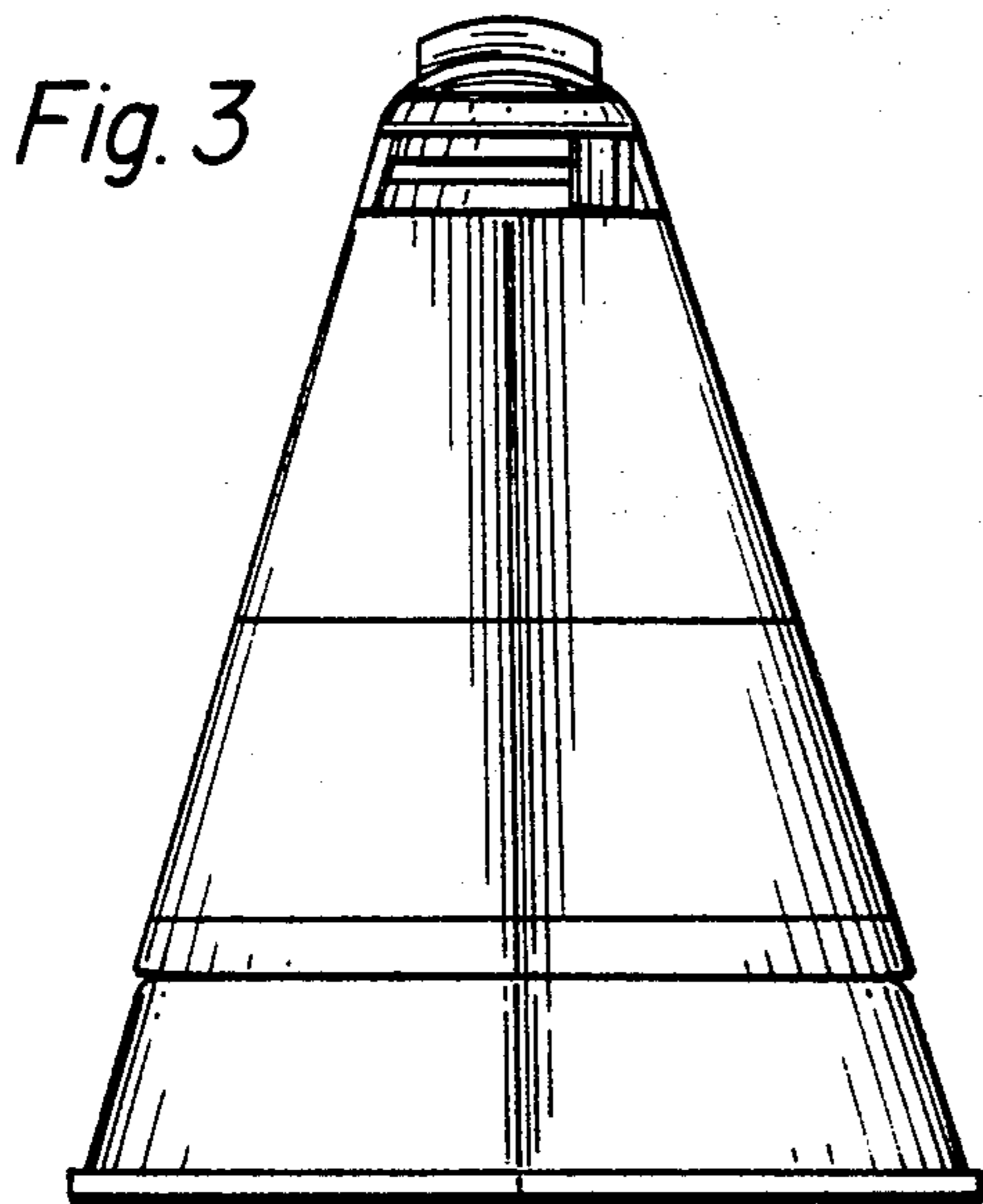


Fig. 3

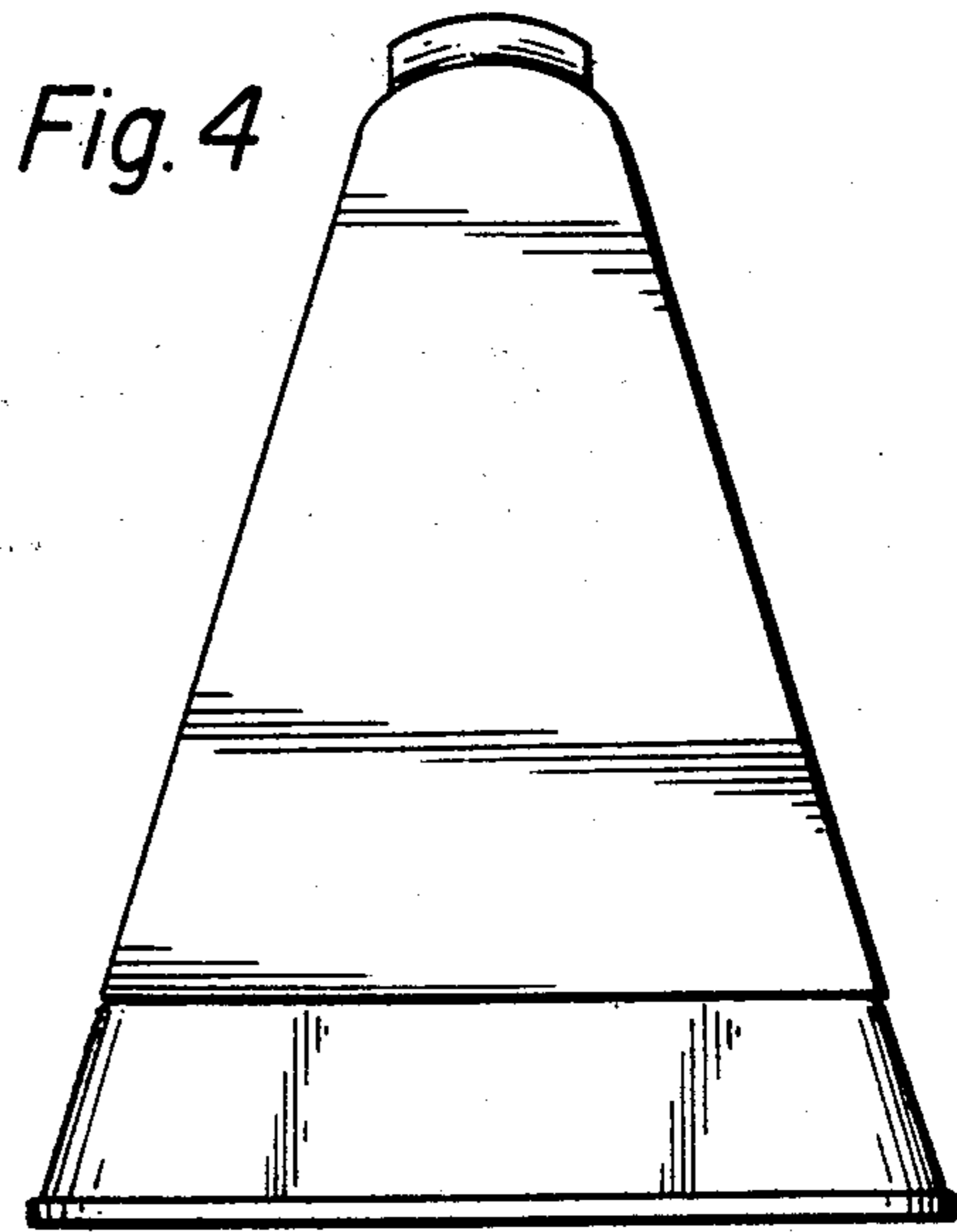


Fig. 4

Fig. 5

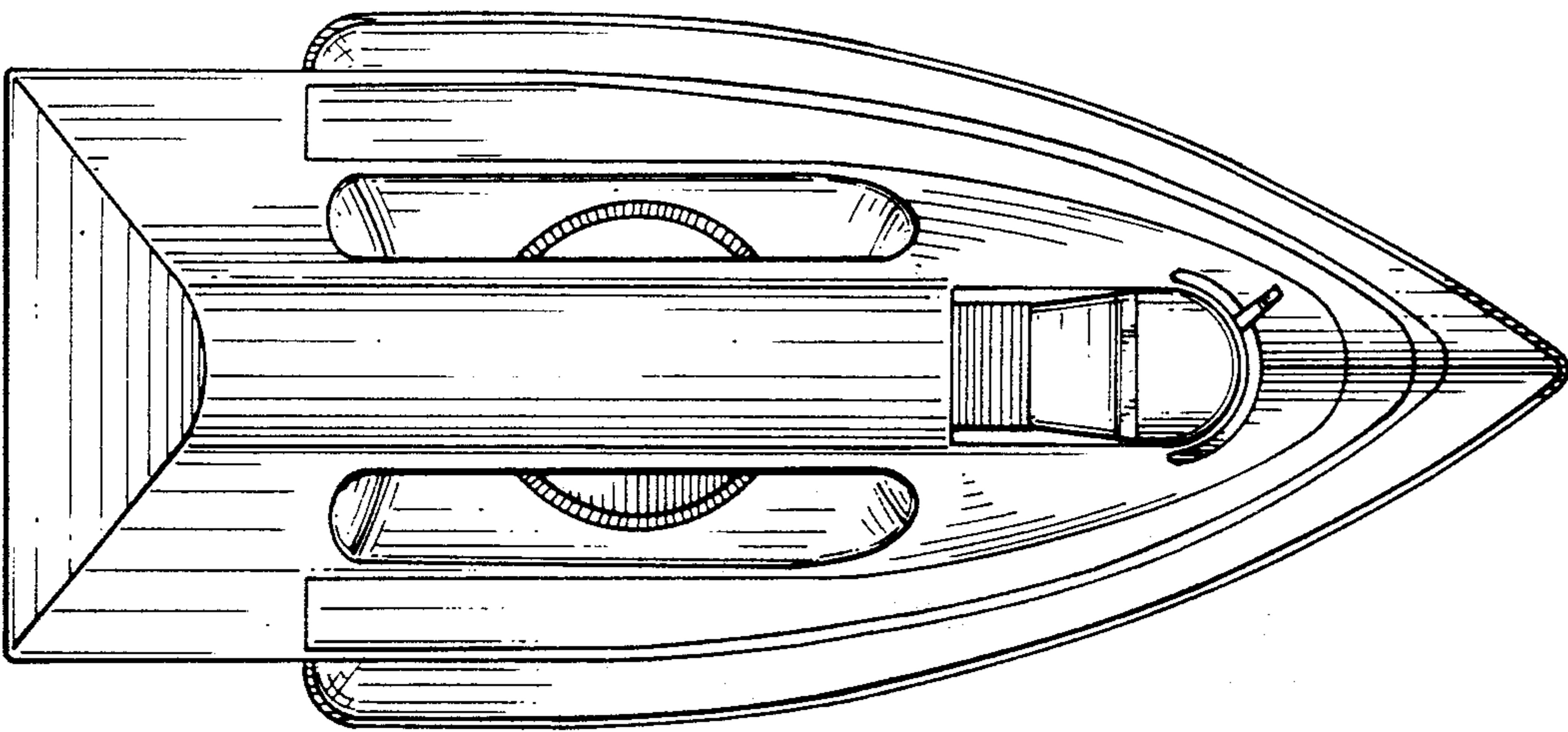
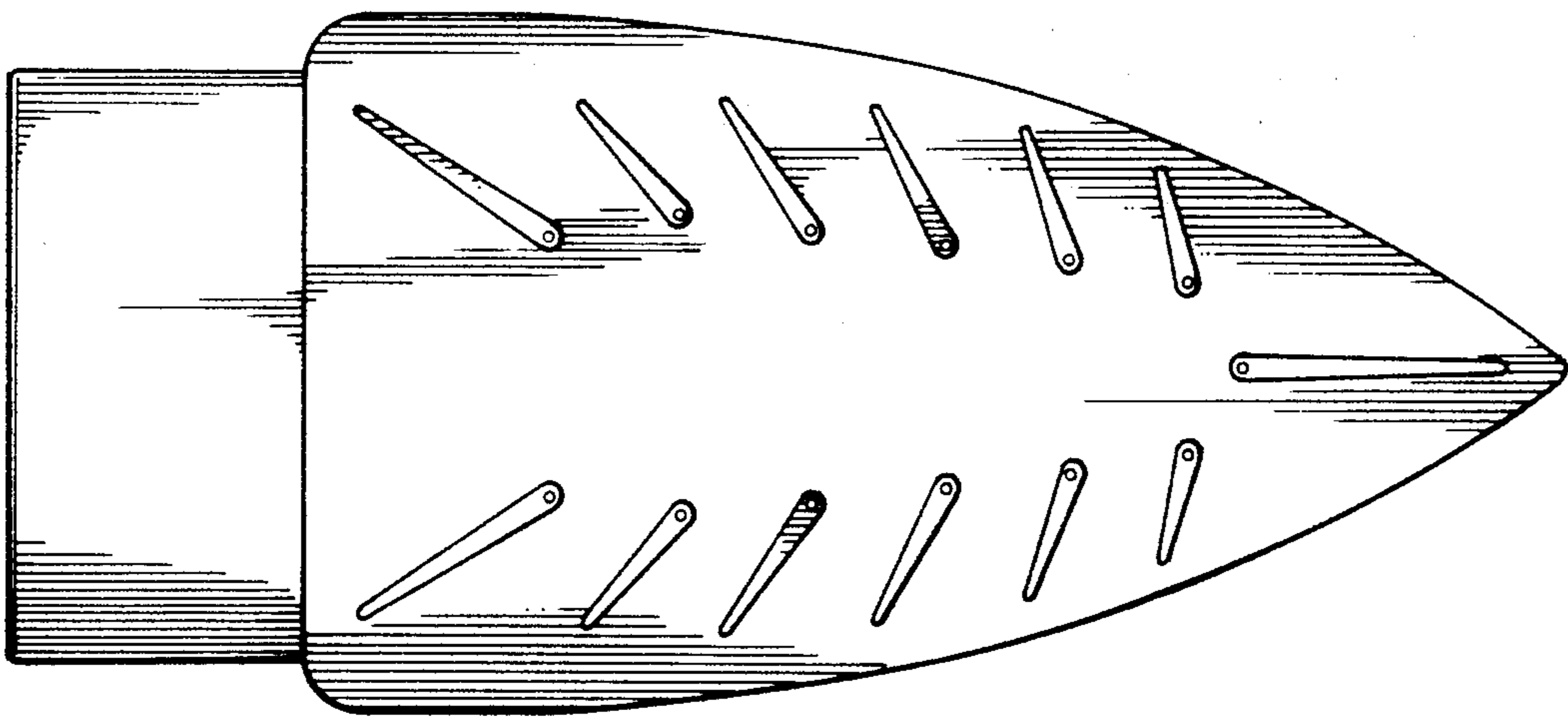


Fig. 6



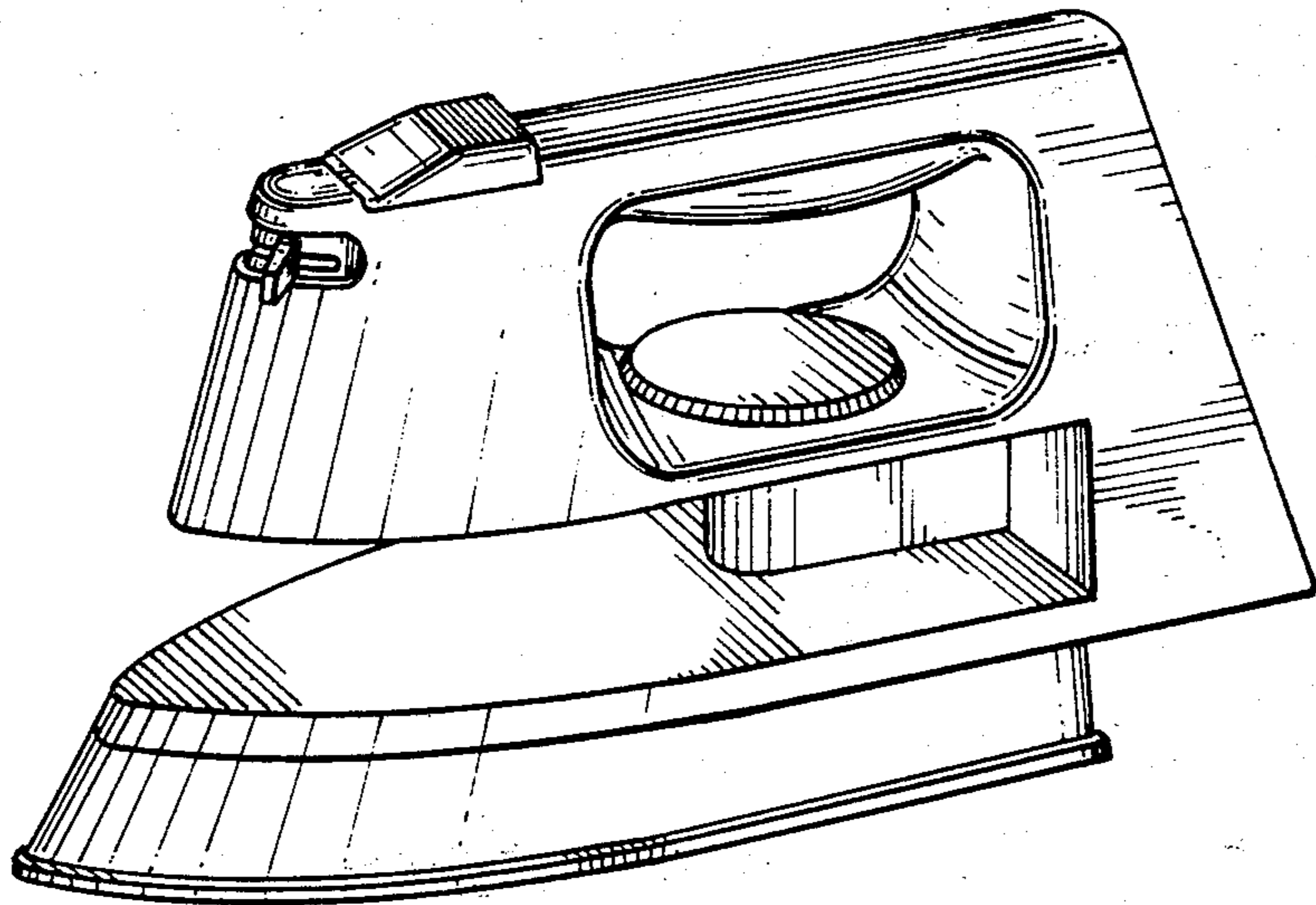


Fig. 7