

[54] **POULTRY VACCINATION UNIT**
[75] Inventor: **James L. Hutchins**, Old Bridge, N.J.
[73] Assignee: **Schering Corporation**, Kenilworth, N.J.
[**] Term: **14 Years**
[21] Appl. No.: **563,431**
[22] Filed: **Dec. 20, 1983**

D. 161,466 1/1951 Ketay D30/99
D. 250,355 11/1978 Marsh D30/99
3,434,474 3/1969 Reynolds 128/200.14
3,502,079 3/1970 Simmons et al. 128/200.14
3,777,752 12/1973 Goodwin D8/200.14
4,316,464 2/1982 Peterson 604/24
4,449,968 5/1984 Peterson 604/24

Primary Examiner—James R. Largen
Attorney, Agent, or Firm—Warrick E. Lee, Jr.

Related U.S. Application Data

[63] Continuation of Ser. No. 537,146, Sep. 29, 1983.
[52] U.S. Cl. **D30/99**
[58] Field of Search D30/40, 99; 128/200.14;
604/24, 289, 290

[57] **CLAIM**

The ornamental design for a poultry vaccination unit, as shown and described.

DESCRIPTION

FIG. 1 is a perspective view taken from the top, front and right side of a poultry vaccination unit showing my new design;
FIG. 2 is a front elevational view thereof;
FIG. 3 is a rear elevational view thereof;
FIG. 4 is a right side elevational view thereof;
FIG. 5 is a left side elevational view thereof.

[56] **References Cited**

U.S. PATENT DOCUMENTS

D. 39,212 3/1908 Pinkerton-Gardiner D30/99
D. 45,434 3/1914 Sheer D30/99

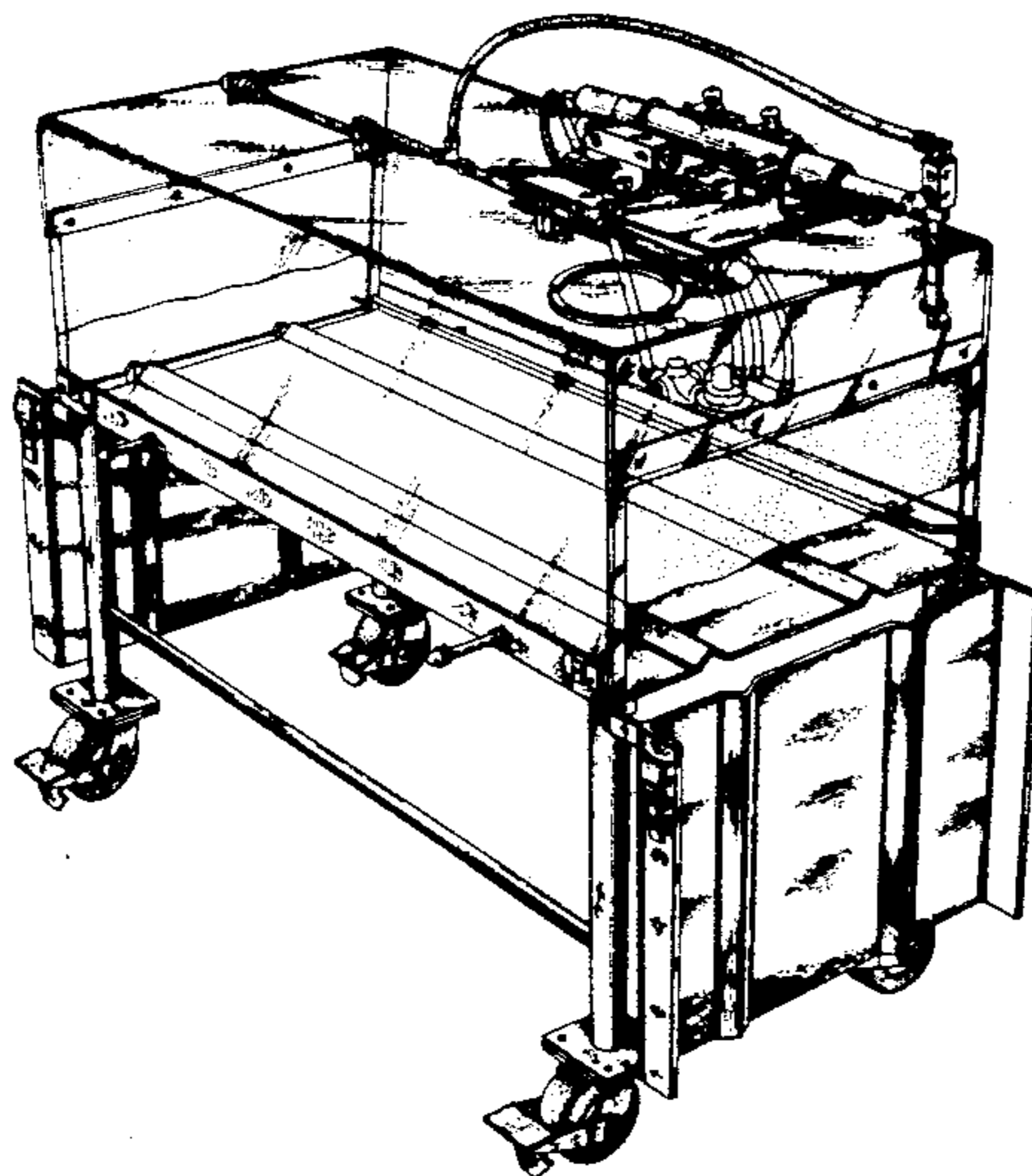


FIG. 1

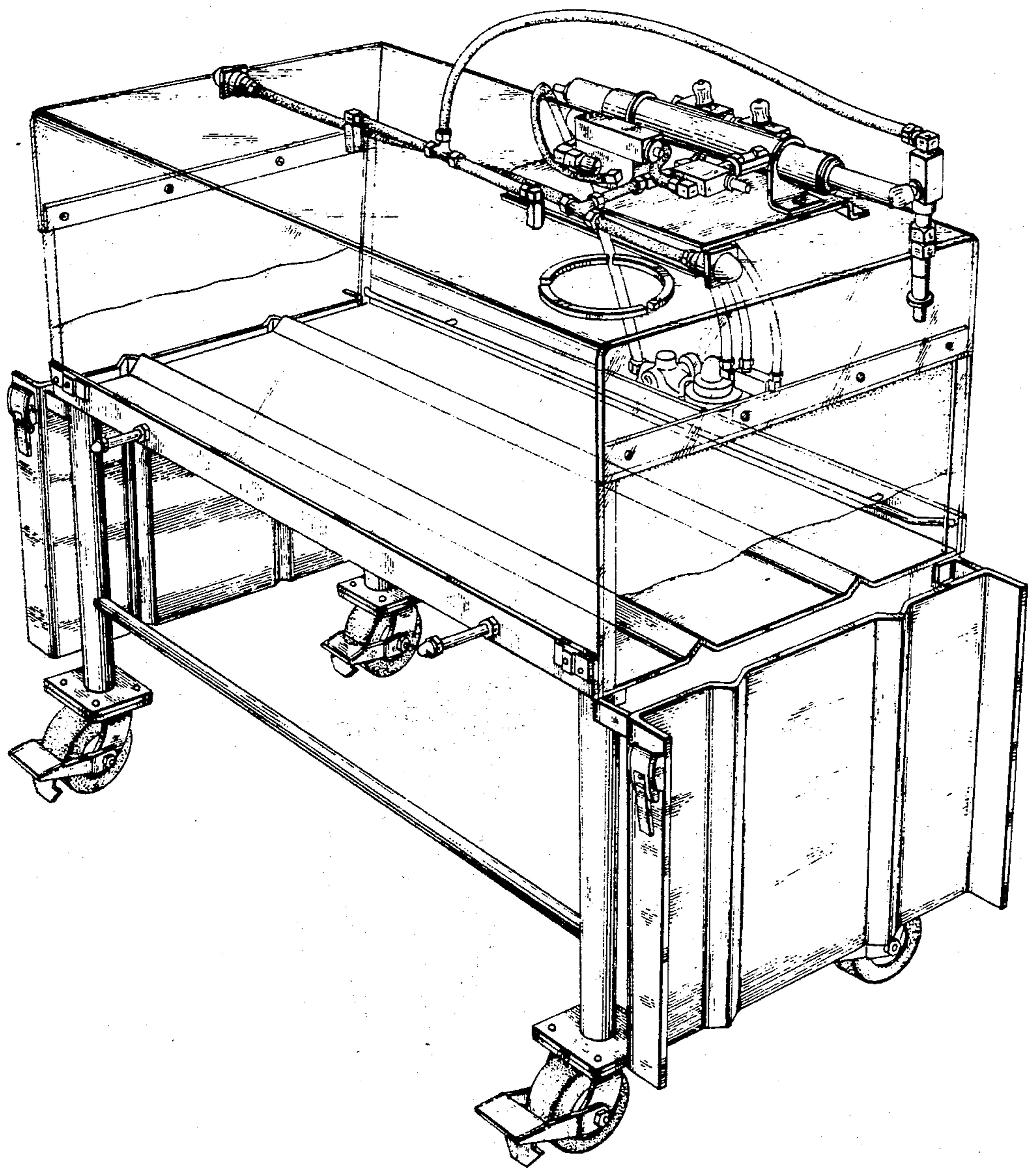


FIG. 2

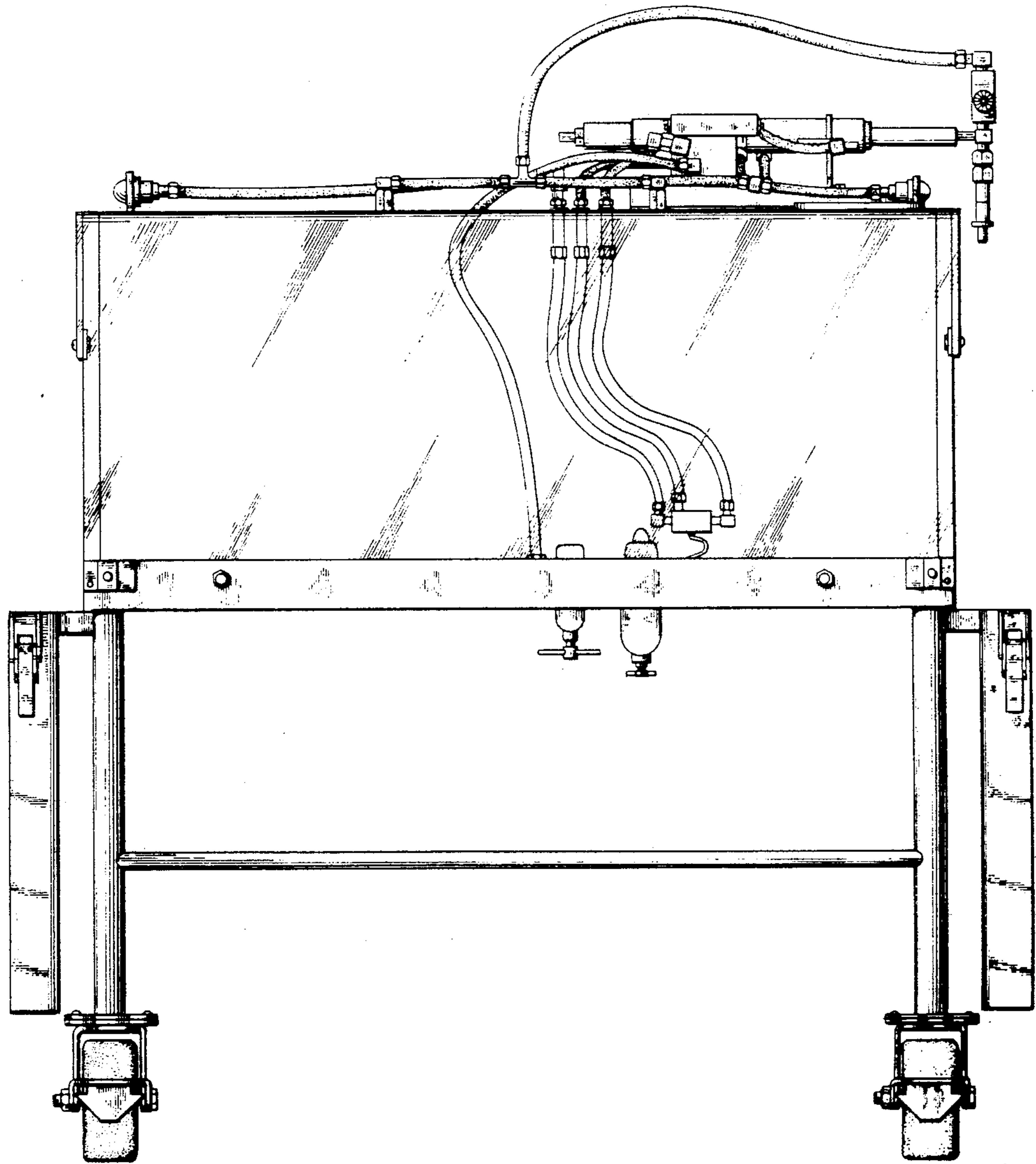


FIG. 3

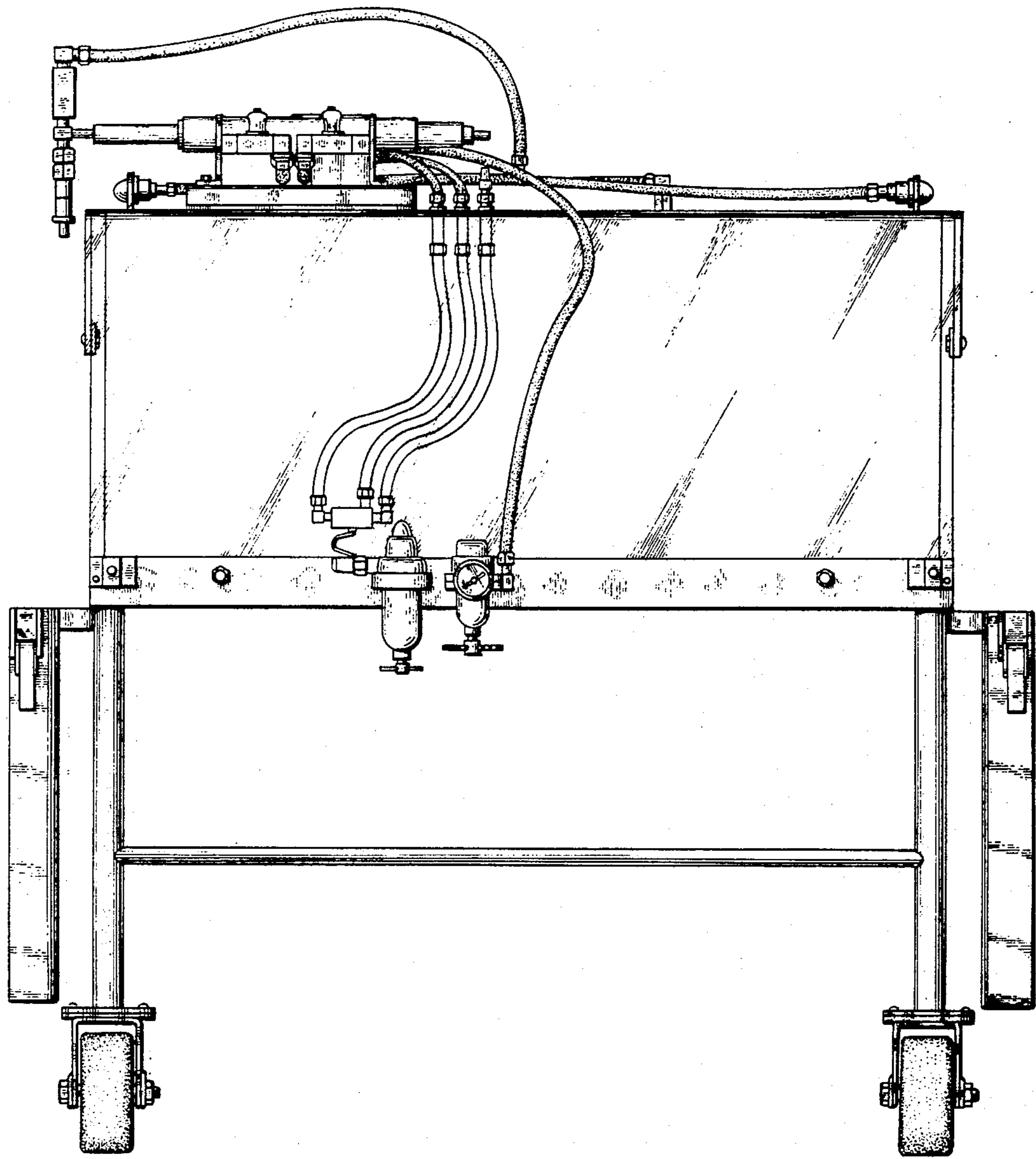


FIG. 4

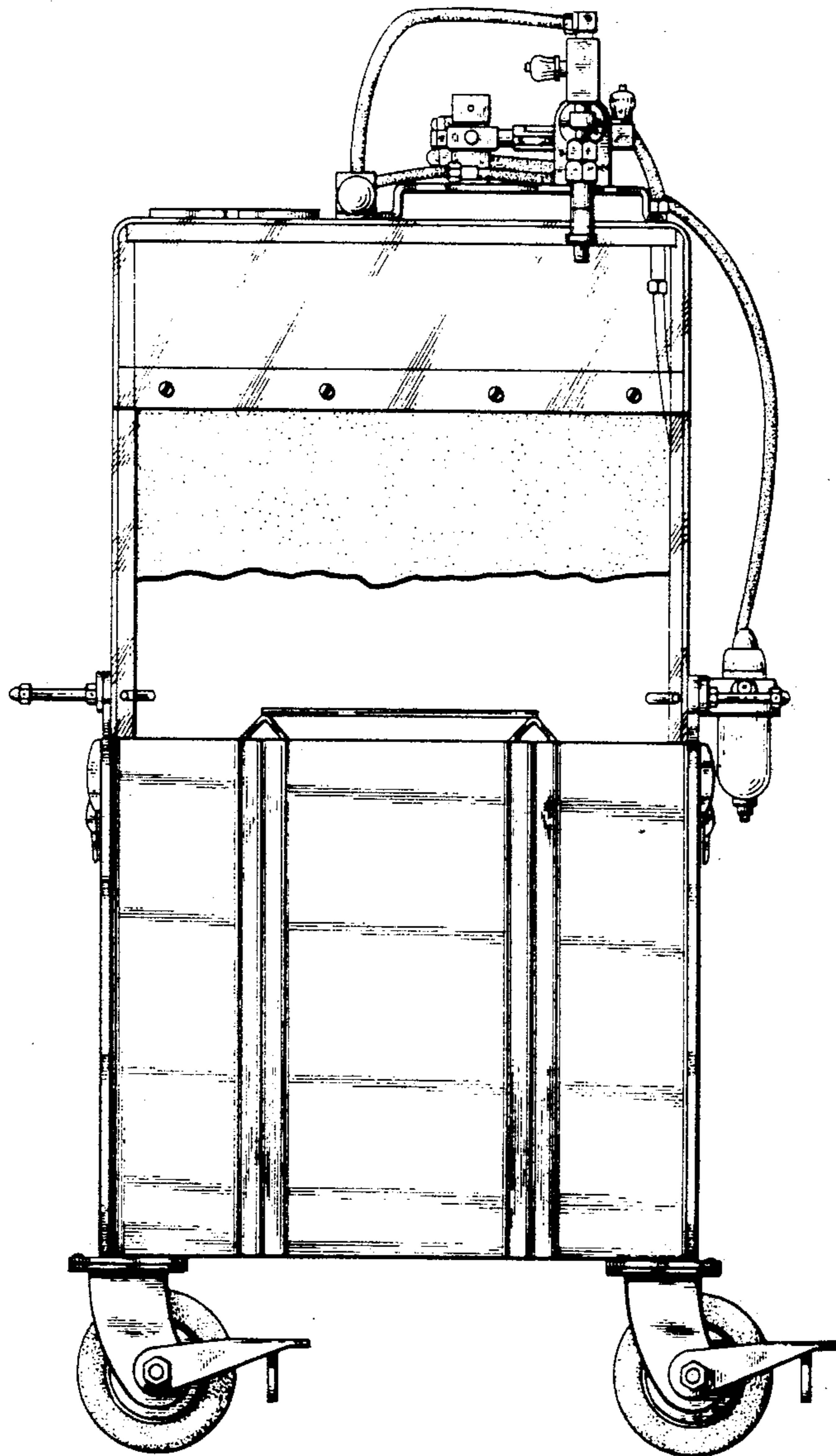


FIG. 5

