

[54] COSMETIC CONTAINER WITH LIGHTED MIRROR

[75] Inventor: Wing K. Tong, Kowloon, Hong Kong

[73] Assignee: Mou Ki Industrial Limited, Kowloon, Hong Kong

[**] Term: 14 Years

[21] Appl. No.: 639,110

[22] Filed: Aug. 9, 1984

[30] Foreign Application Priority Data

Jun. 18, 1984 [GB] United Kingdom 1020359

[52] U.S. Cl. D28/78

[58] Field of Search D28/38, 73, 99, 76-79, D28/82-86; D3/39; D9/341, 346, 352, 420, 423, 424; 362/135-137; 206/235, 385, 581, 823; 132/1 R, 1 A, 79 R, 79 C, 79 F, 79 G, 82 R, 82 A, 82 G, 82 F, 83 R, 83 C, 83 E, 83 F

[56] References Cited

U.S. PATENT DOCUMENTS

D. 124,952 2/1941 Botham D28/77

D. 125,152 2/1941 Hahn D9/420
D. 243,124 1/1977 Horowitz D28/77
1,942,928 1/1934 Kasdan 132/79 G
2,573,620 10/1951 Spitalny 206/235 X
3,502,089 3/1970 Paradis 132/82 R

OTHER PUBLICATIONS

Vogue, 12/1967, p. 14—Compact at topmost right.

Primary Examiner—Louis S. Zarfes

Attorney, Agent, or Firm—Wenderoth, Lind & Ponack

[57] CLAIM

The ornamental design for a cosmetic container with lighted mirror, as shown and described.

DESCRIPTION

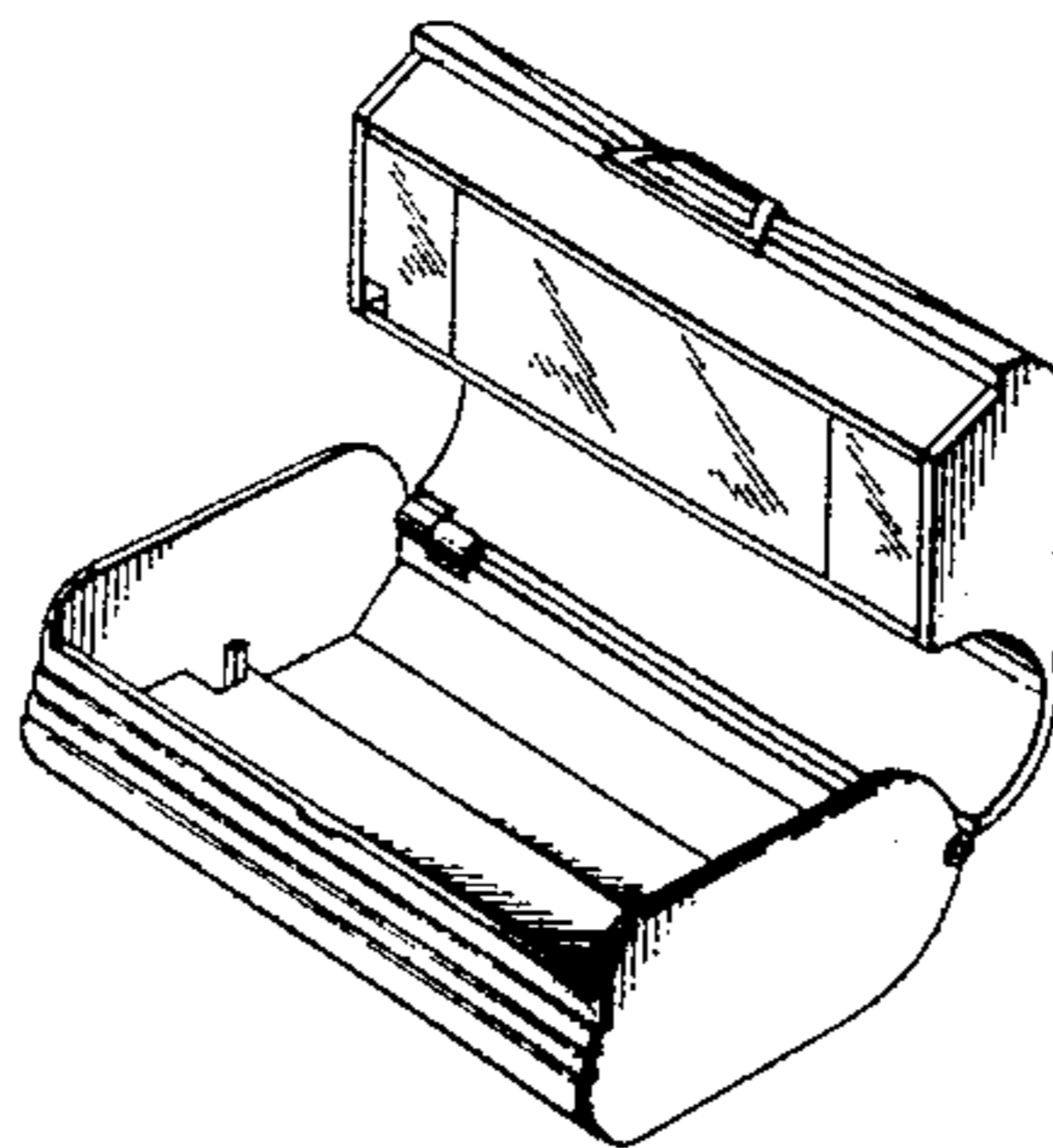
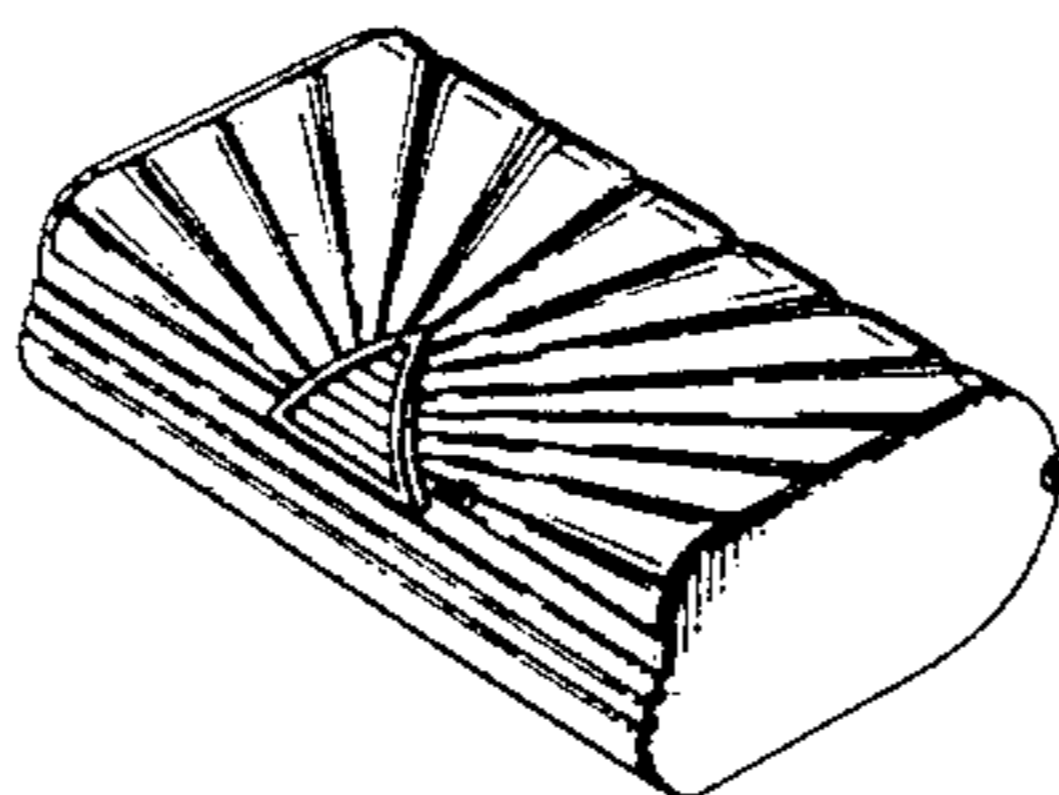
FIG. 1 is a front perspective view from one side and above of the cosmetic container with lighted mirror showing my new design;

FIG. 2 is an elevational view of the other side thereof;

FIG. 3 is a rear elevational view thereof;

FIG. 4 is an underneath plan view thereof; and

FIG. 5 is a perspective view thereof similar to FIG. 1 but having the lid open and showing the mirror and light.



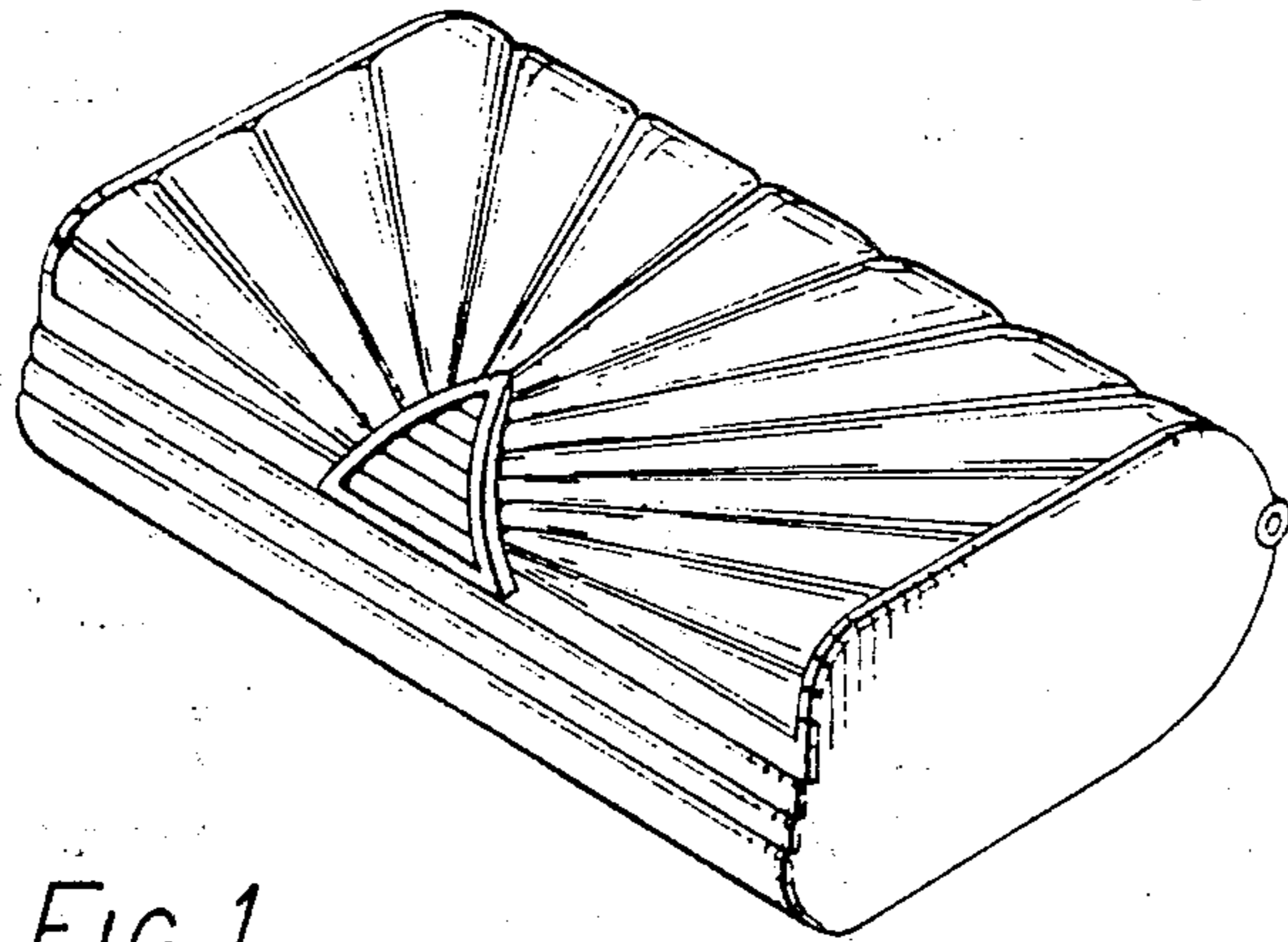


FIG. 1

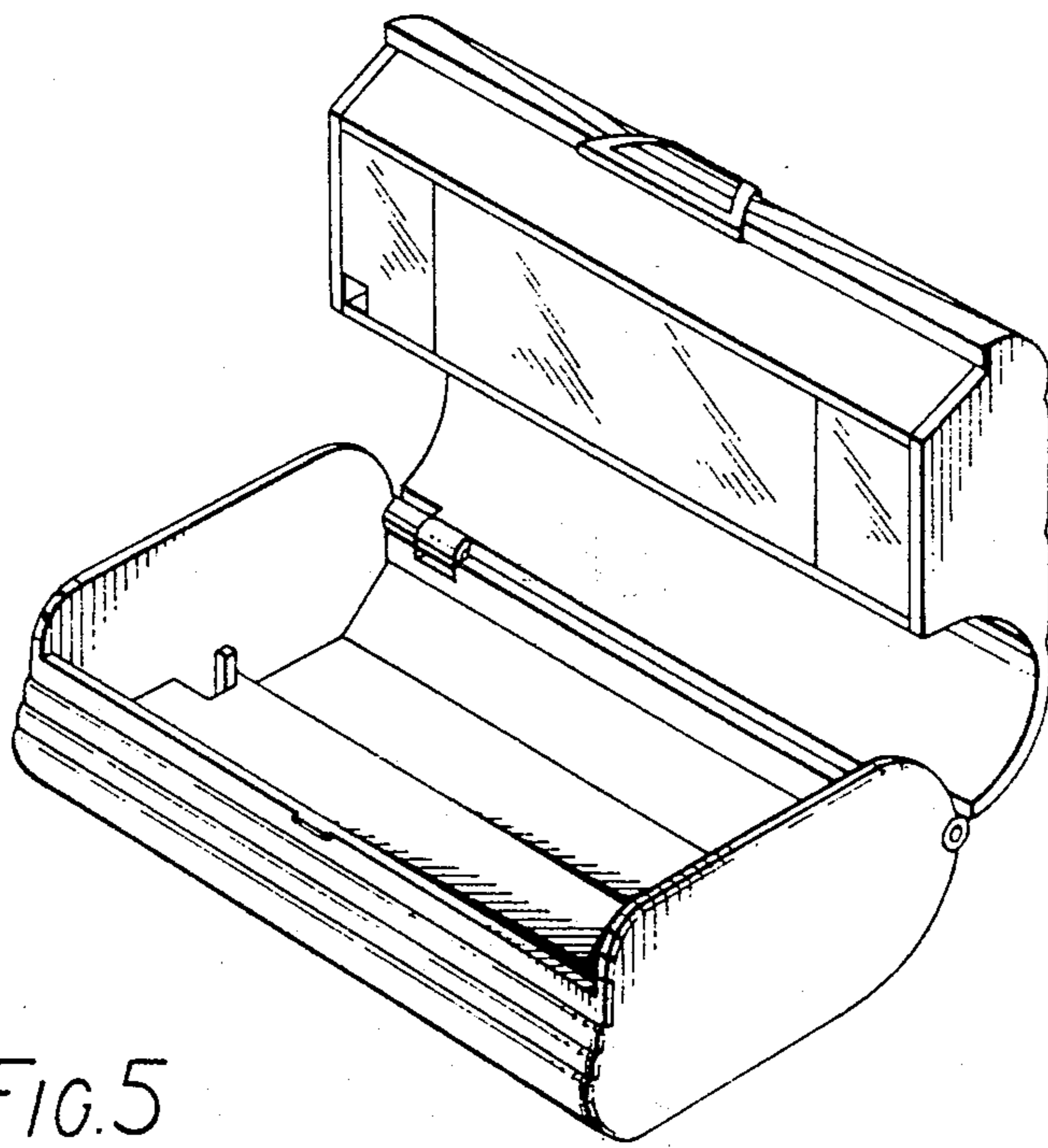


FIG. 5

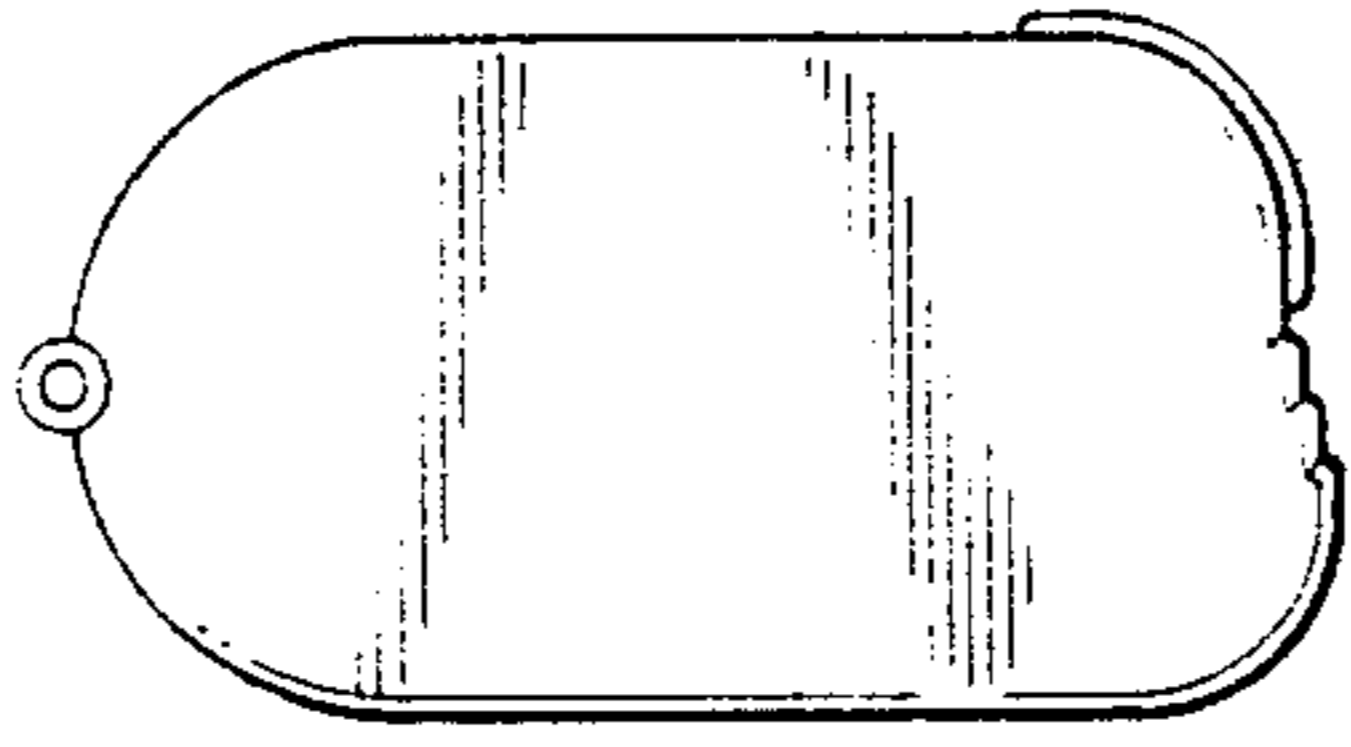


FIG. 2

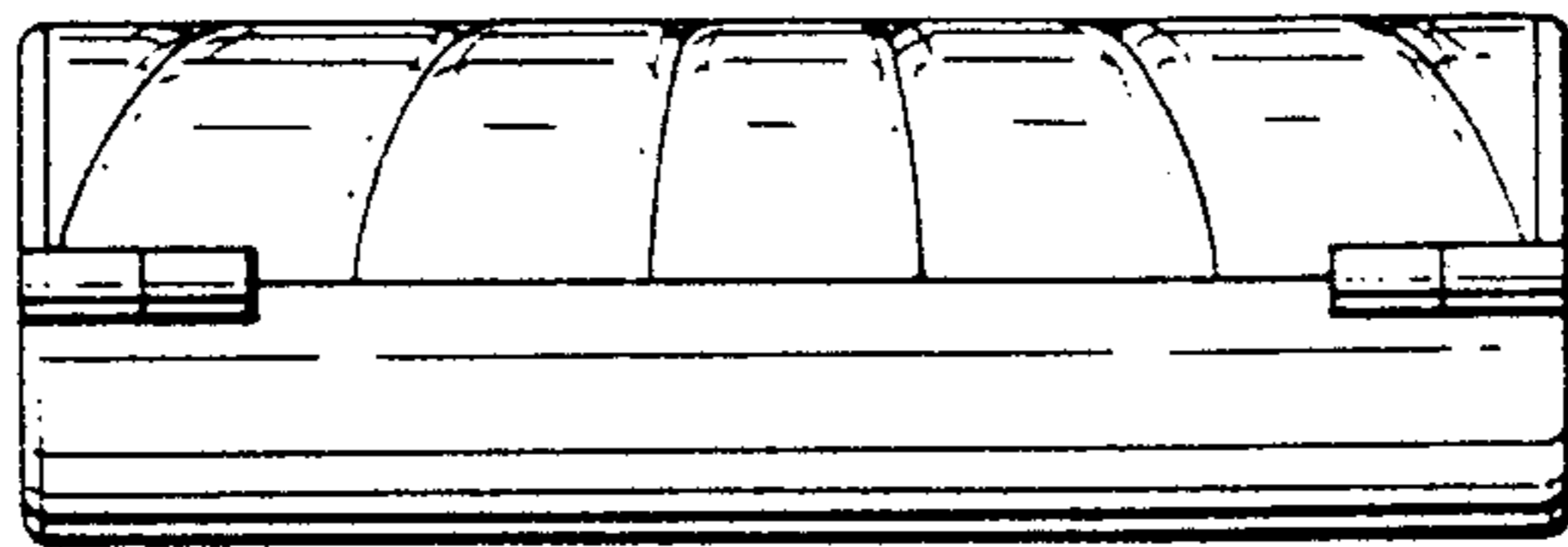


FIG. 3

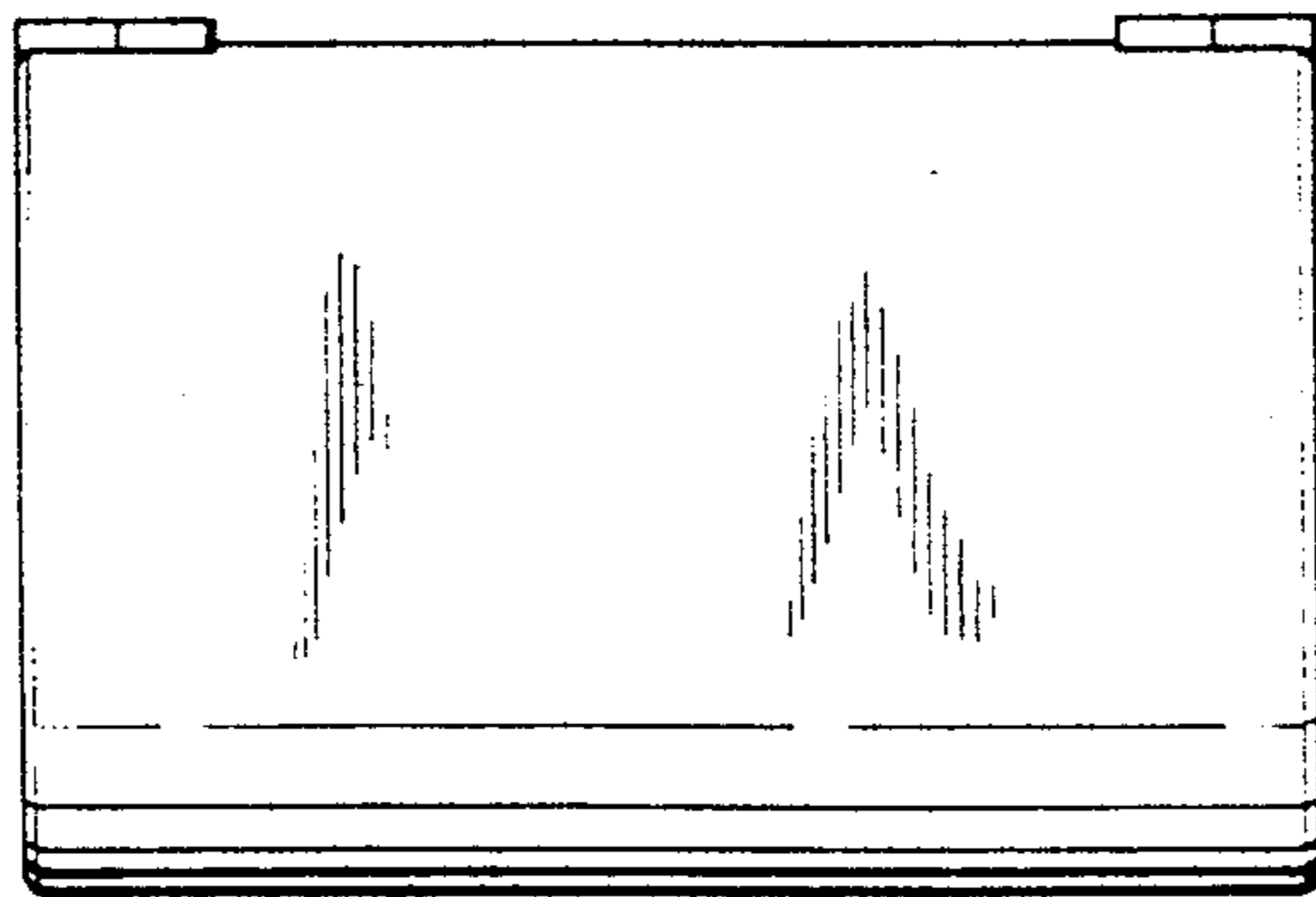


FIG. 4