

United States Patent [19]

Morin et al.

[11] Patent Number: **Des. 285,368**

[45] Date of Patent: **** Aug. 26, 1986**

[54] **DENTAL FLOSSING TOOL**

[75] Inventors: **Marius J. Morin**, Westlake Village;
Jack C. Munro, Thousand Oaks, both
of Calif.

[73] Assignee: **Associated Medical Systems, Inc.**,
Agoura Hills, Calif.

[**] Term: **14 Years**

[21] Appl. No.: **546,322**

[22] Filed: **Oct. 28, 1983**

[52] U.S. Cl. **D28/64**

[58] Field of Search **D28/64; 132/89, 90,**
132/91, 92 R, 93, 92 A, 84 A

[56] **References Cited**

U.S. PATENT DOCUMENTS

D. 226,768 4/1973 Schwartz D28/64
D. 237,186 10/1975 Morin D28/64

D. 240,830 8/1976 Murphy D28/64
2,187,899 1/1940 Henne D28/64

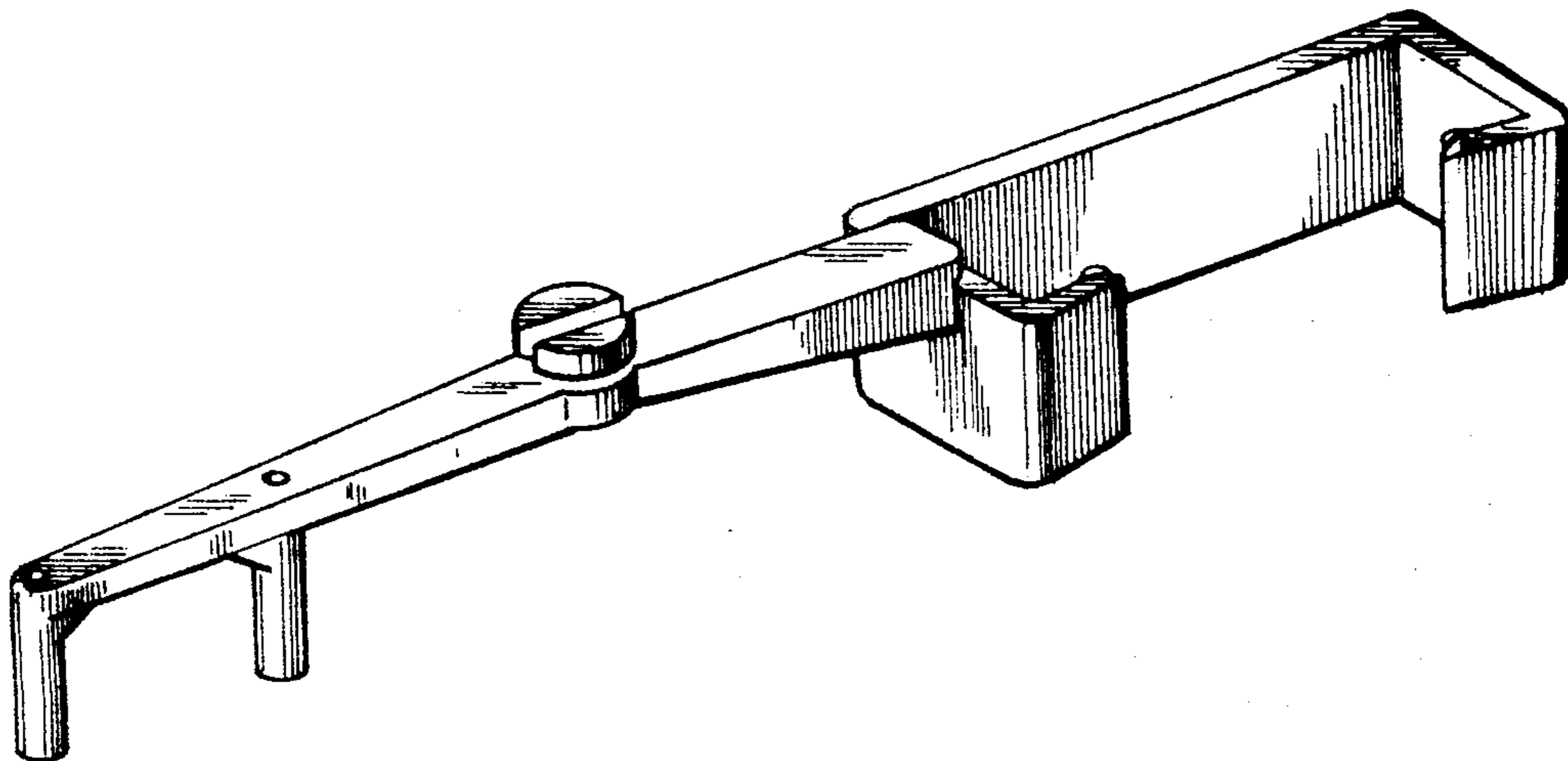
Primary Examiner—James M. Gandy
Assistant Examiner—Kay H. Chin
Attorney, Agent, or Firm—Jack C. Munro

[57] **CLAIM**

The ornamental design for a dental flossing tool, as shown.

DESCRIPTION

FIG. 1 is a frontal perspective view of the dental flossing tool showing our new design;
FIG. 2 is a front elevational view thereof;
FIG. 3 is a top plan view thereof;
FIG. 4 is a rear elevational view thereof, in inverted condition;
FIG. 5 is a bottom plan view thereof;
FIG. 6 is a left end elevational view thereof; and
FIG. 7 is a right end elevational view thereof.



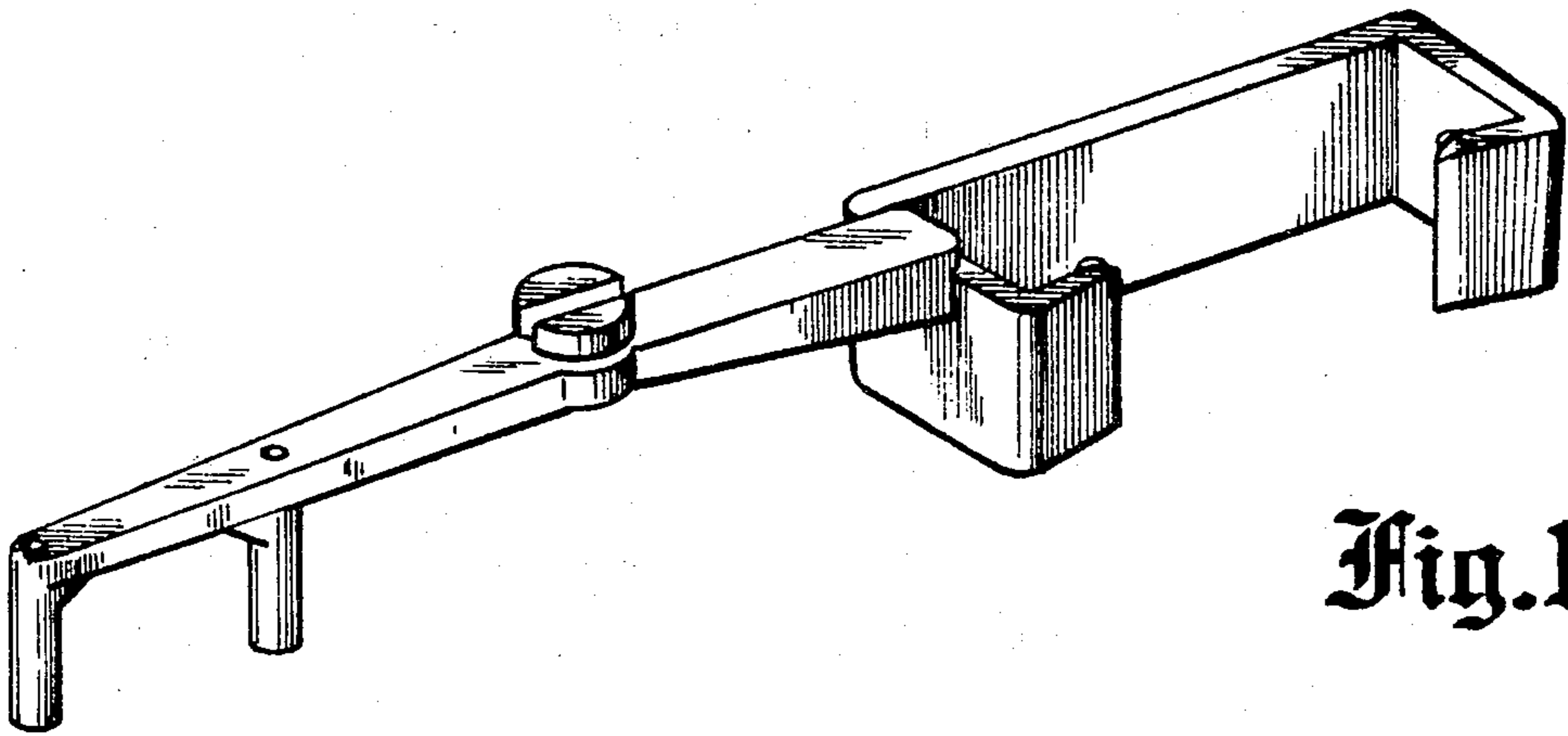


Fig. 1.

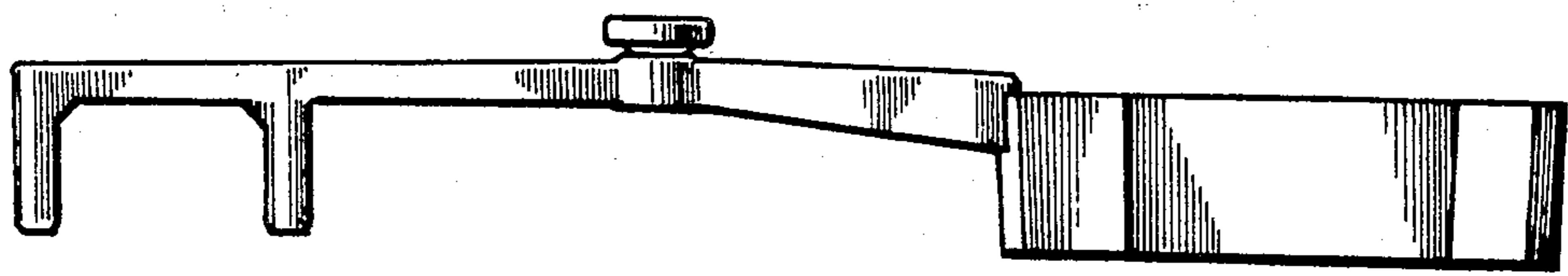


Fig. 2.

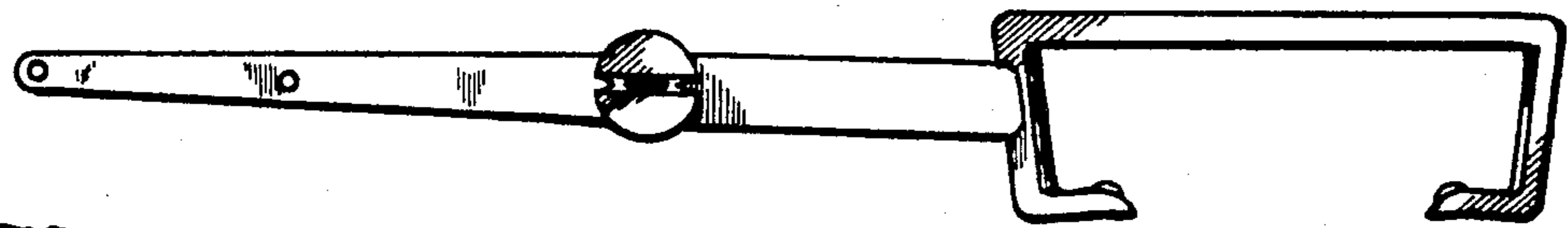


Fig. 3.

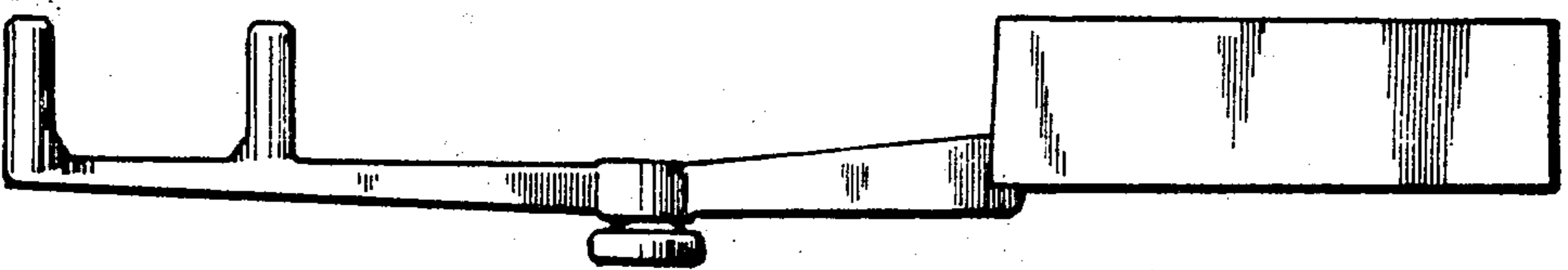


Fig. 4.

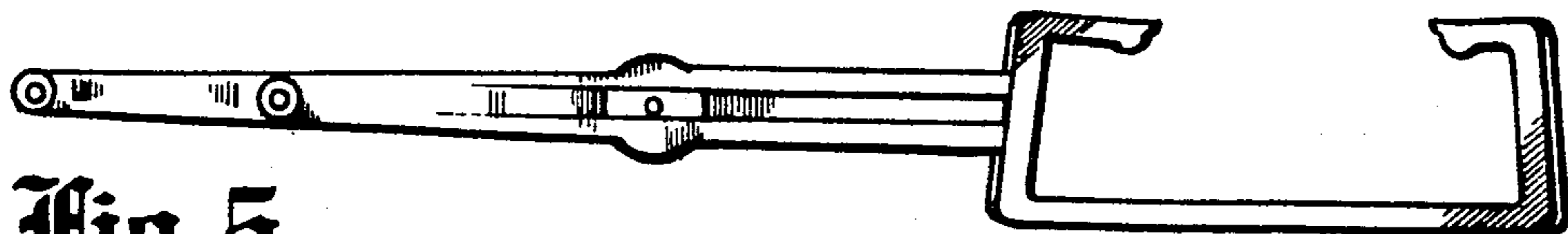


Fig. 5.

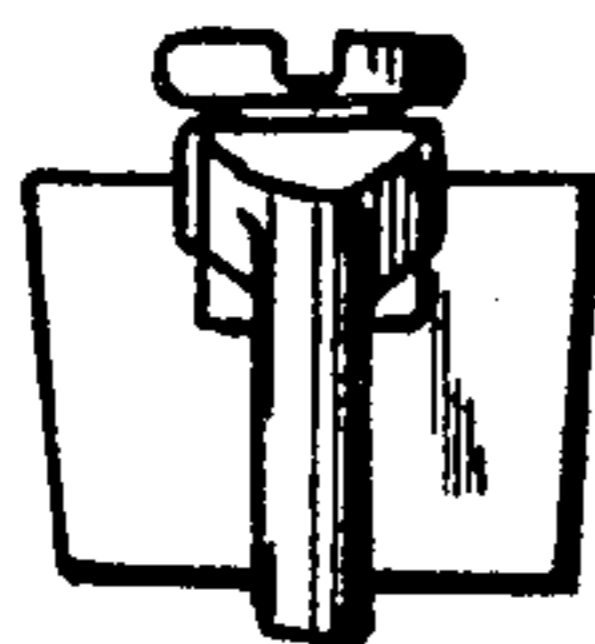


Fig. 6.

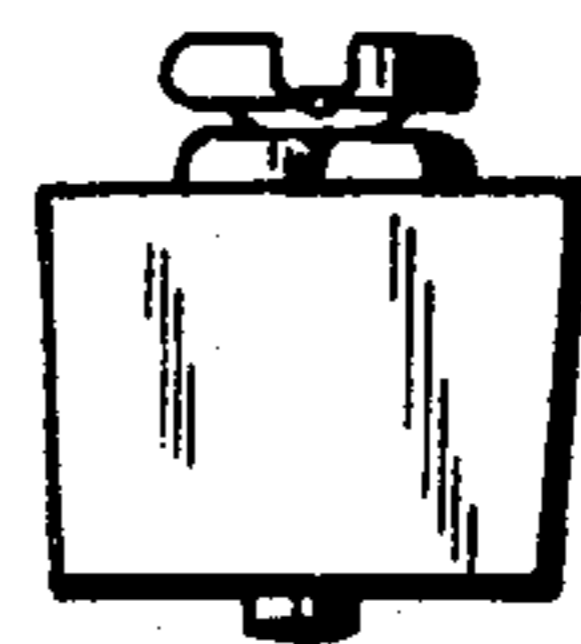


Fig. 7.