

[54] HAIR CURLING IRON ATTACHMENT OR SIMILAR ARTICLE

[76] Inventor: Gerald J. Rubin, 6827 Market St., El Paso, Tex. 79915

[**] Term: 14 Years

[21] Appl. No.: 584,338

[22] Filed: Feb. 28, 1984

[52] U.S. Cl. D28/35; D28/37

[58] Field of Search D28/35, 37, 99; 219/222, 225, 226; 132/37 R, 39

[56] References Cited

U.S. PATENT DOCUMENTS

- D. 220,020 2/1971 Albert D28/37
- D. 257,595 12/1980 Bullock D28/37
- 3,566,887 3/1971 Nelson 132/39
- 3,706,315 12/1972 Johansen D28/37 X
- 4,260,871 4/1981 Nagelkerke 219/222
- 4,267,851 5/1981 Plaisted 132/39 X
- 4,548,218 10/1985 Glucksman 132/39

OTHER PUBLICATIONS

HFD-Retailing Home Furnishings, 5/17/82, Section One, p. 50-Tangle Free II Iron Attachment at lower right.

Primary Examiner—Louis S. Zarfes
Attorney, Agent, or Firm—Berman, Aisenberg & Platt

[57] CLAIM

The ornamental design for a hair curling iron attachment or similar article, as shown and described.

DESCRIPTION

FIG. 1 is a right side elevational view of a hair curling iron attachment or similar article showing my new design, the right side being a mirror image;

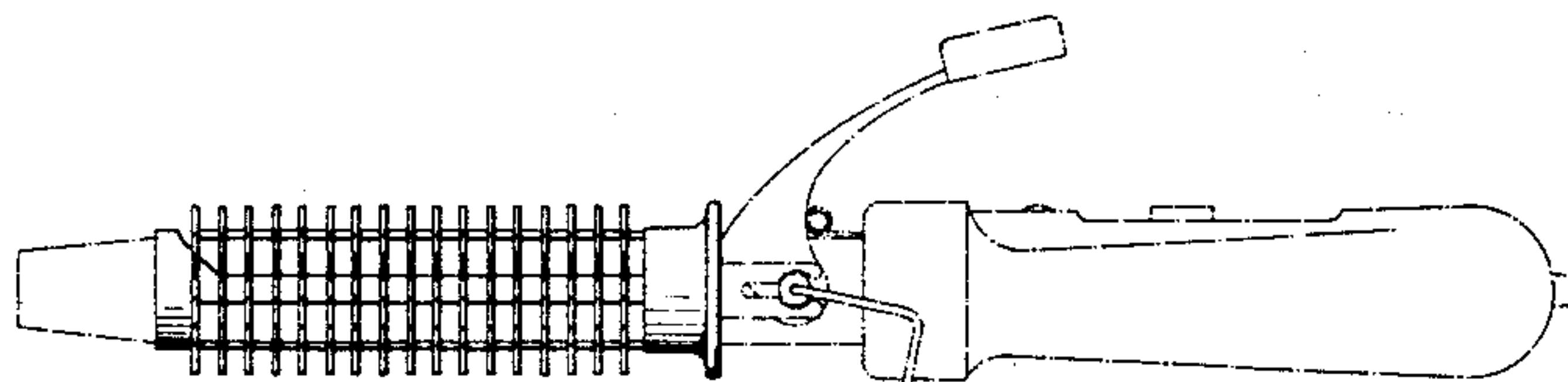
FIG. 2 is a top plan view thereof;

FIG. 3 is a bottom plan view thereof;

FIG. 4 is a front elevational view thereof; and

FIG. 5 is a rear elevational view thereof.

The broken line showing of a curling iron and lugs is for illustrative purposes only and forms no part of the claimed design.



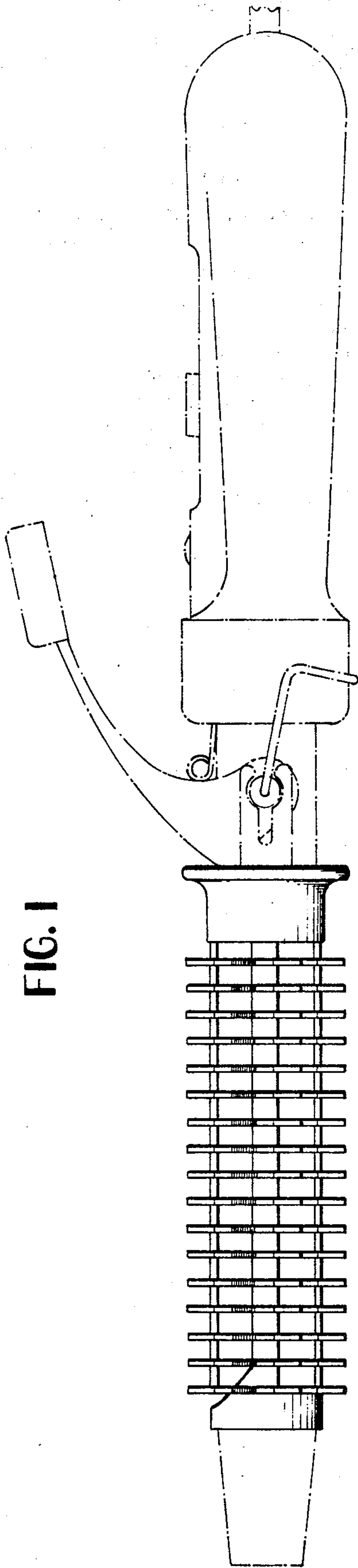


FIG. 1

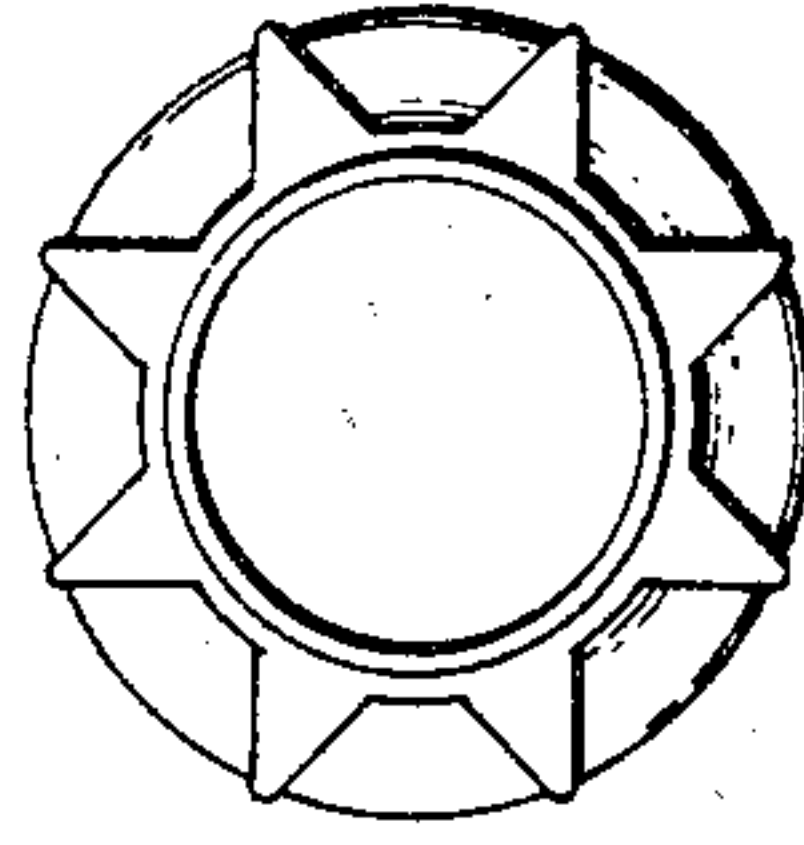


FIG. 4

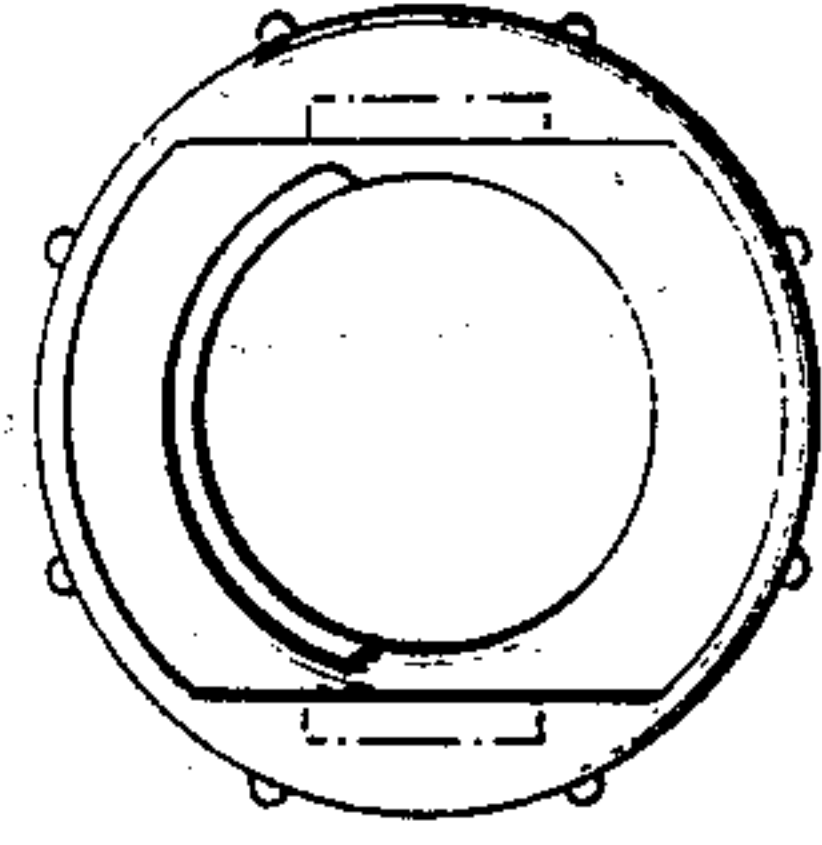


FIG. 5

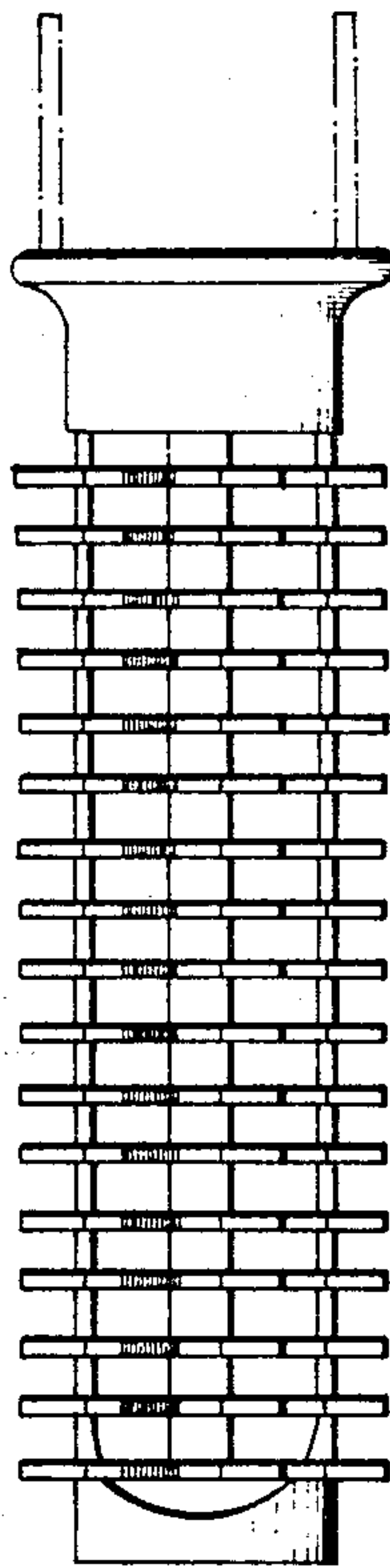


FIG. 2

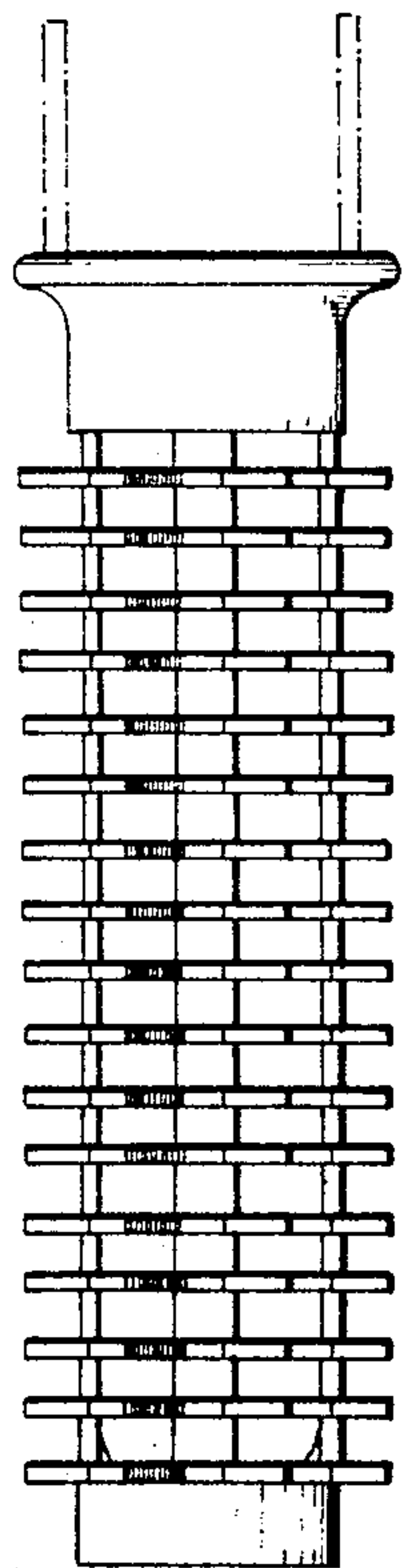


FIG. 3