

[54] **PHARMACEUTICAL TABLET**

[75] Inventor: **Geoffrey D. Tovey**, Harpenden,
England
[73] Assignee: **Smith Kline & French Laboratories
Limited**, Welwyn Garden City,
England

[**] Term: **14 Years**

[21] Appl. No.: **687,321**

[22] Filed: **Dec. 28, 1984**

[52] U.S. Cl. **D28/2**

[58] Field of Search **D28/1-3,
D28/8, 8.1, 8.2; D1/100, 127, 128, 129, 199,
121, 106, 112; 424/14, 15, 48; 426/97, 98;
252/92; D21/51**

[56] **References Cited**

U.S. PATENT DOCUMENTS

4,376,111 3/1983 Tovey D28/2

Primary Examiner—James M. Gandy

Assistant Examiner—Kay H. Chin

Attorney, Agent, or Firm—Joseph A. Marlino; Stuart P.
Suter; Alan D. Lourie

[57] **CLAIM**

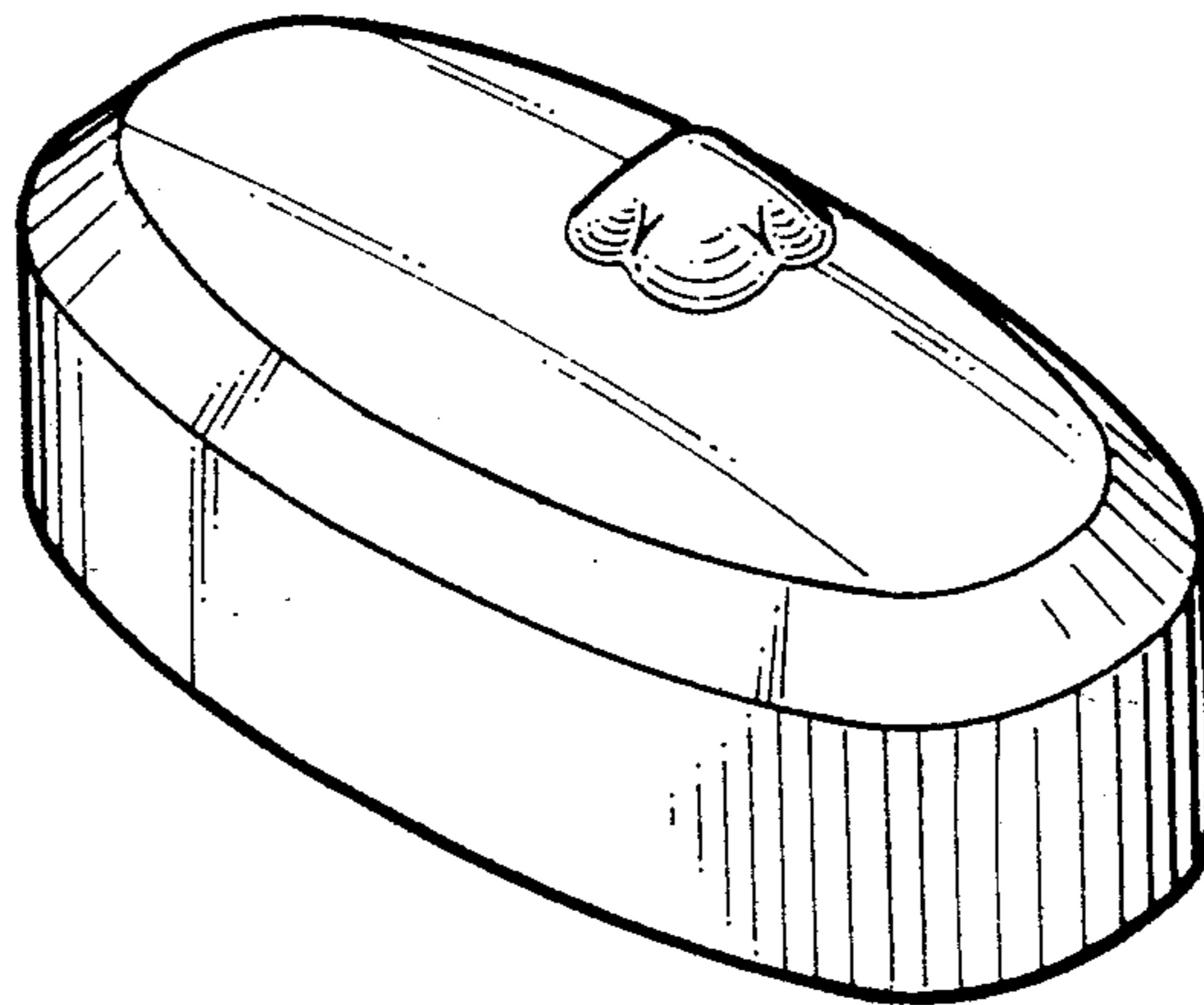
The ornamental design for a pharmaceutical tablet, as
shown and described.

DESCRIPTION

FIG. 1 is a perspective view from above, one side and
one end of a pharmaceutical tablet showing my design.
FIG. 2 is an end elevation view thereof, the opposite
end being a mirror image of that shown.

FIG. 3 is a top plan view thereof, the bottom plan view
being a mirror image of that shown.

FIG. 4 is a side elevation view thereof, the opposite side
being a mirror image of that shown.



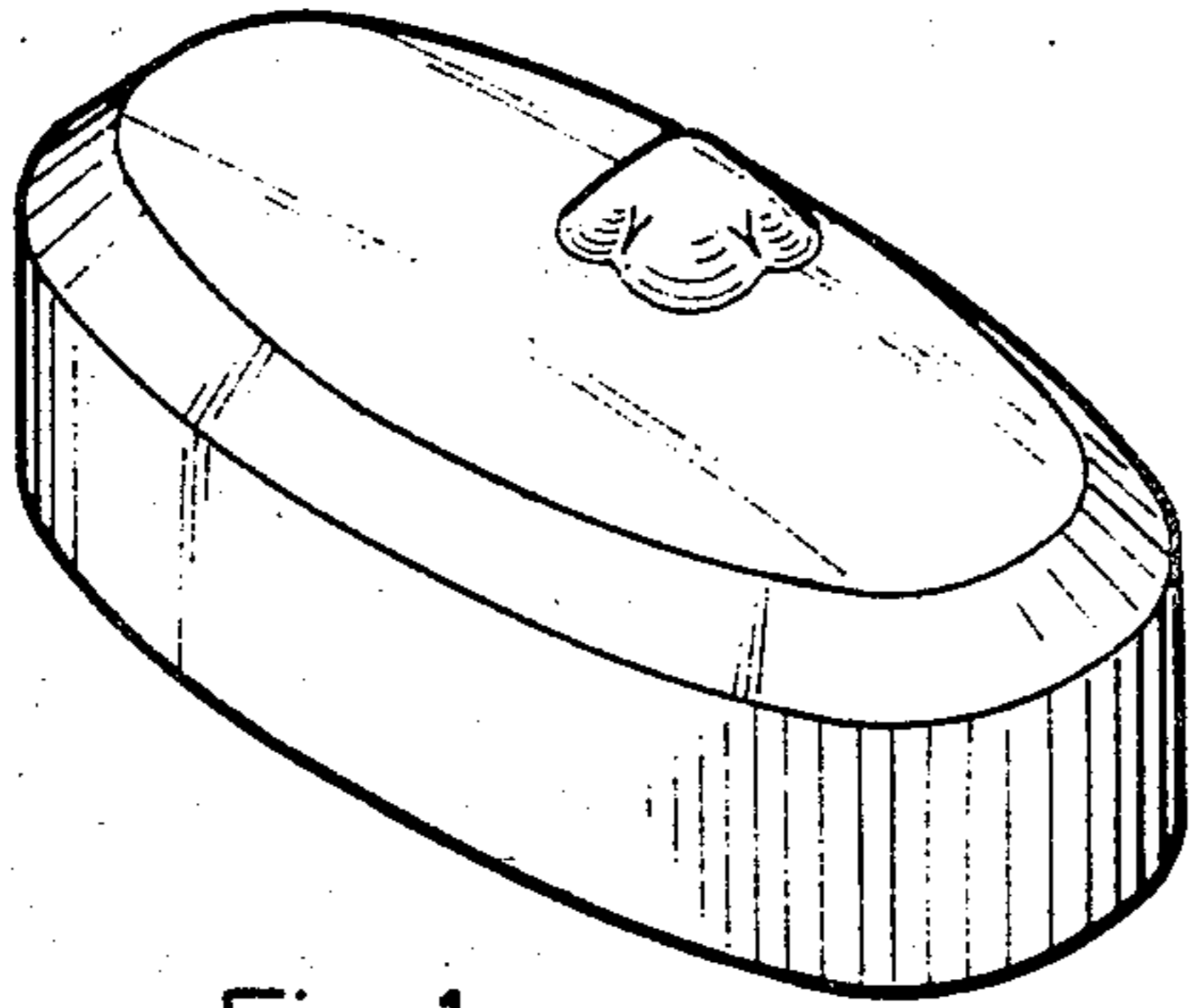


Fig. 1

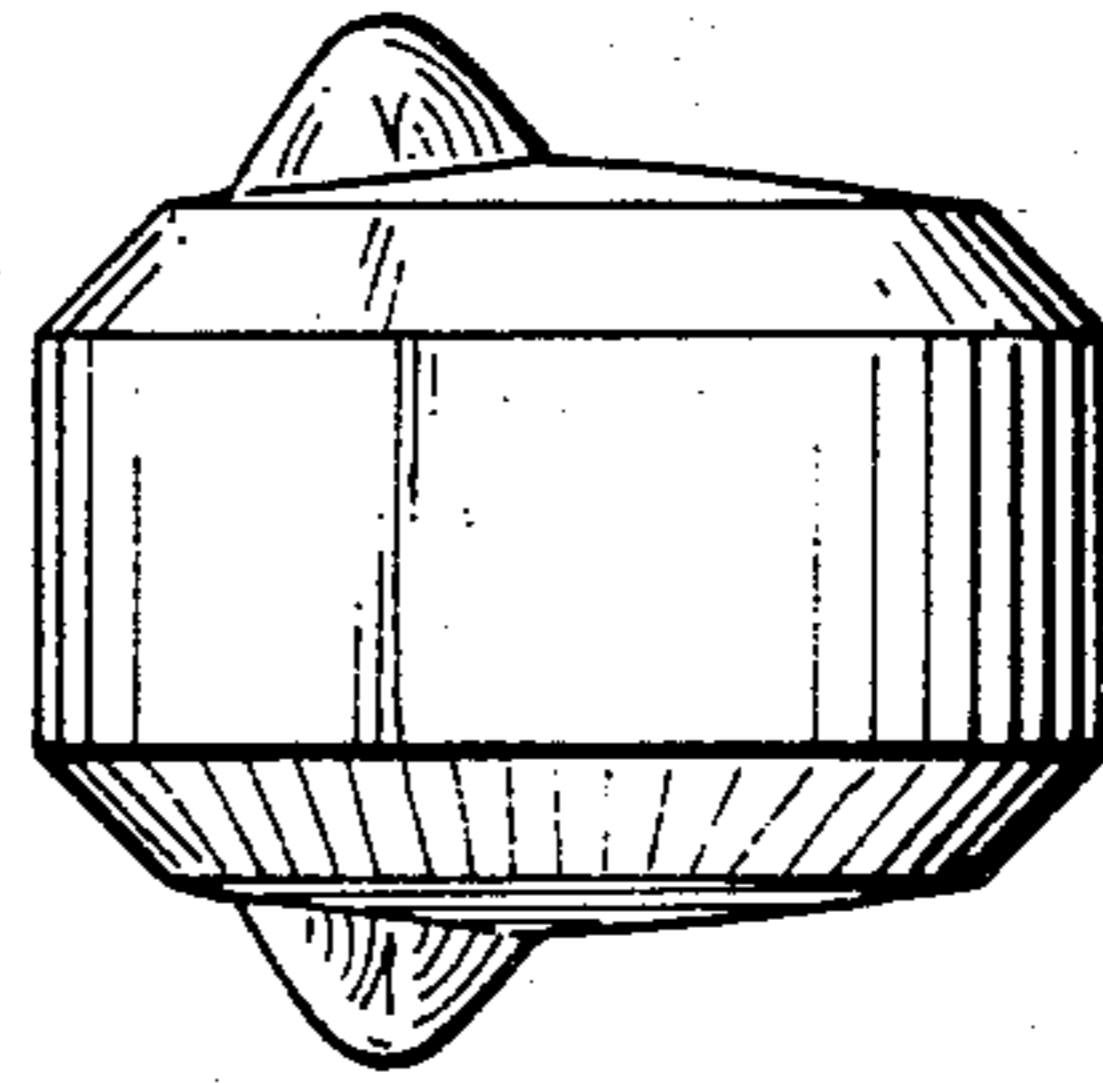


Fig. 2

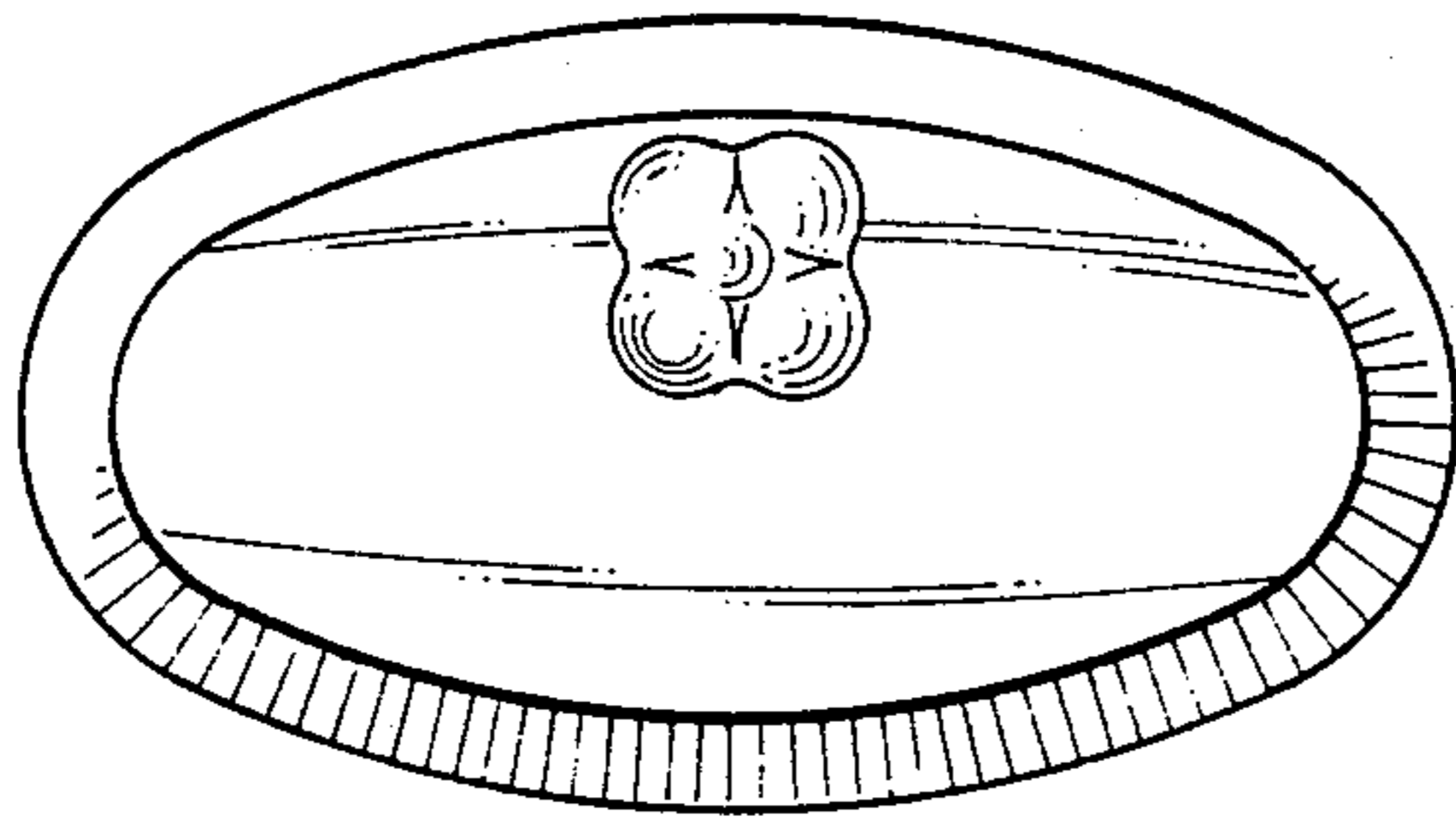


Fig. 3

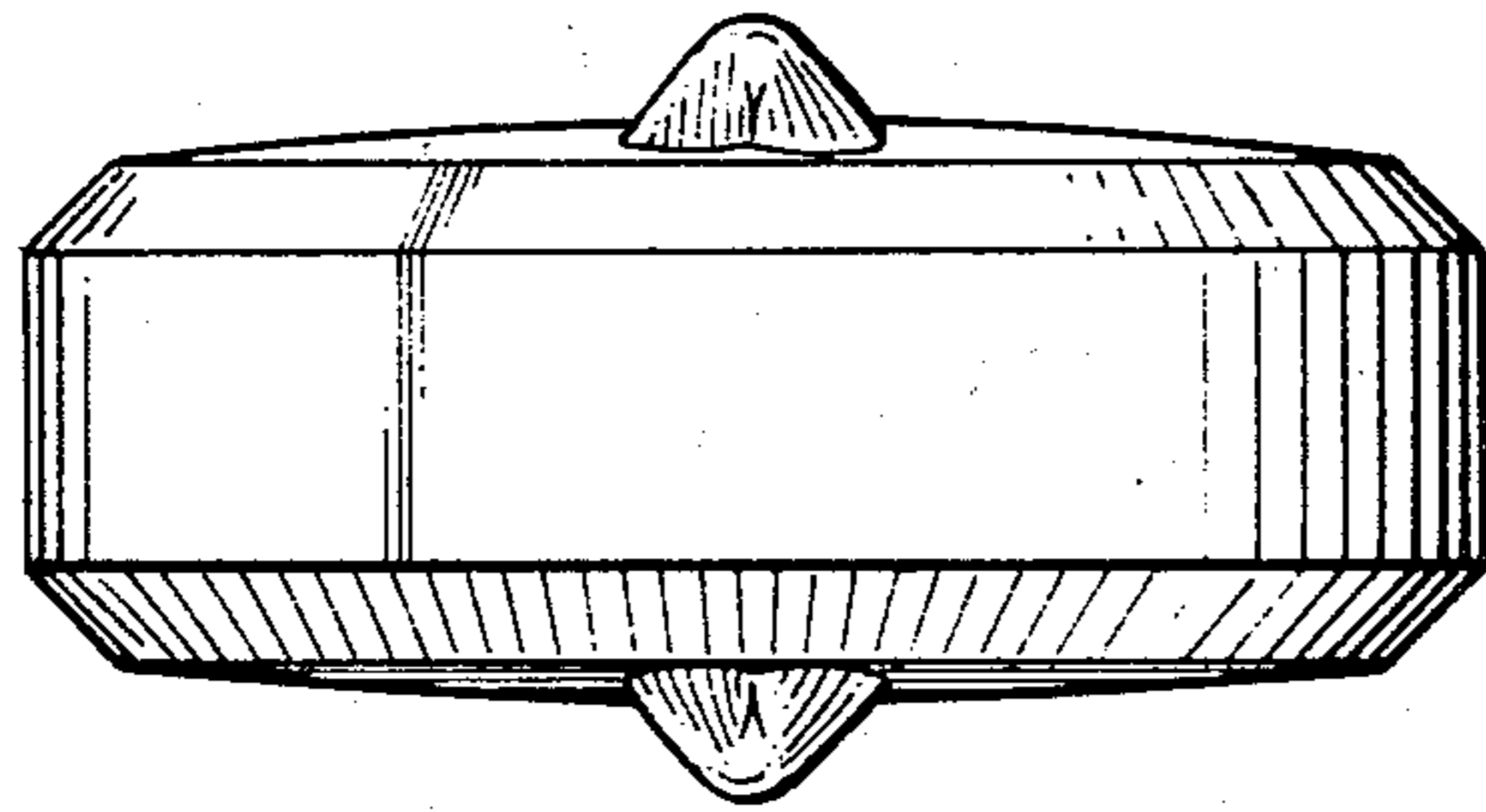


Fig. 4