

[54] **TROUBLE LIGHT HANDLE ATTACHMENT**

[76] Inventor: **Albert Marcucci**, 1493 Kenmuir Ave., Mississauga, Ontario, Canada, L5G 4B6

[\*\*] Term: **14 Years**

[21] Appi. No.: **538,675**

[22] Filed: **Oct. 3, 1983**

[30] **Foreign Application Priority Data**

Jul. 11, 1983 [CA] Canada ..... 11-07-83-1  
[52] U.S. Cl. .... **D26/138; D26/37**  
[58] Field of Search ..... **D26/37-50,**  
**D26/119, 138; 362/157, 158, 183-208, 258, 399,**  
**400**

[56] **References Cited**

**U.S. PATENT DOCUMENTS**

1,853,107 4/1932 Woodhead ..... 362/400  
2,653,219 9/1953 Popp ..... 362/399  
2,734,996 2/1956 Rogow et al. .... 362/399

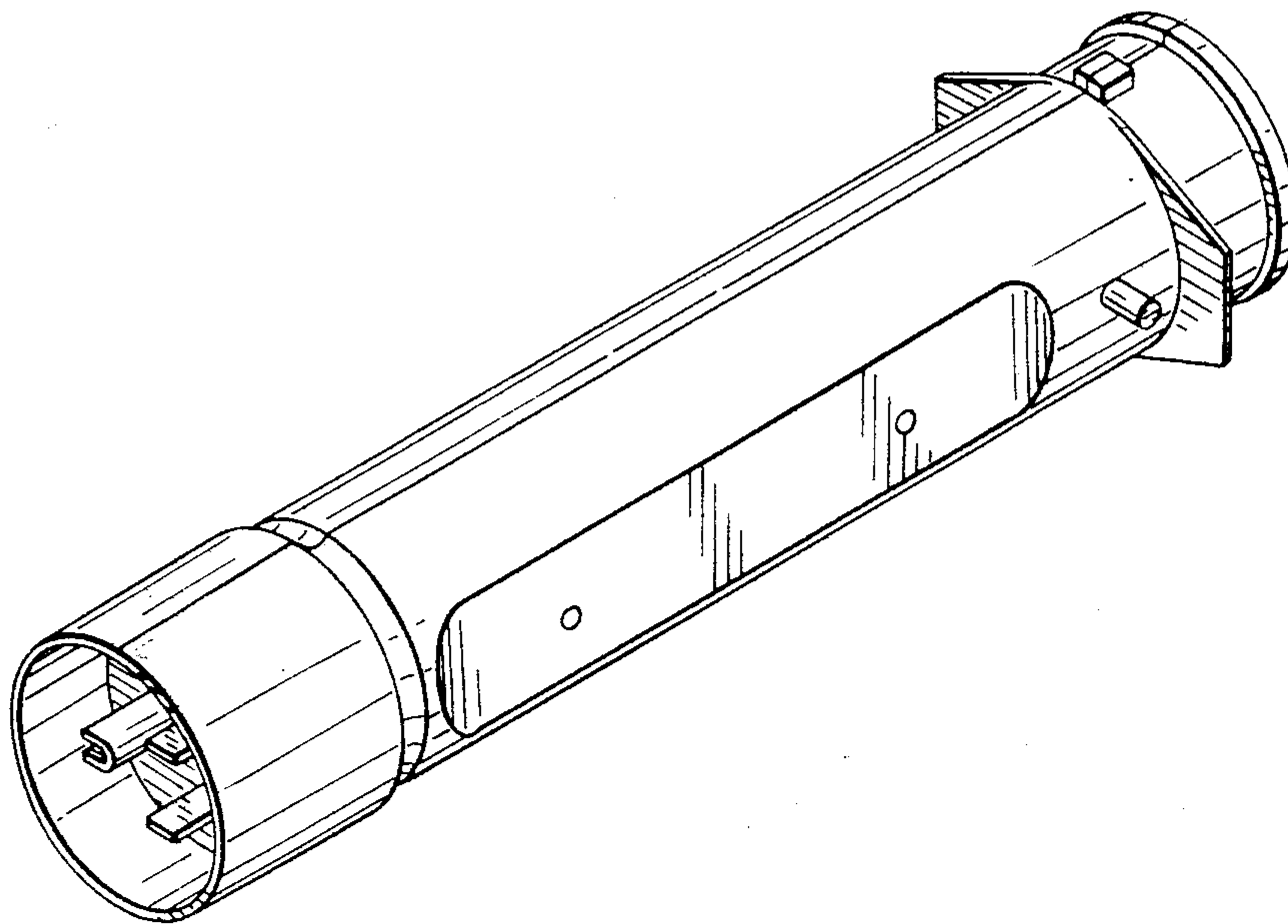
*Primary Examiner*—Susan J. Lucas  
*Attorney, Agent, or Firm*—Moss, Hammond

[57] **CLAIM**

The ornamental design for a trouble light handle attachment, as shown and described.

**DESCRIPTION**

FIG. 1 is a top, front perspective view of a trouble light handle attachment showing my new design;  
FIG. 2 is a side elevational view, the opposite side being a mirror image;  
FIG. 3 is a bottom plan view thereof;  
FIG. 4 is a rear elevational view thereof; and  
FIG. 5 is a front elevational view thereof.



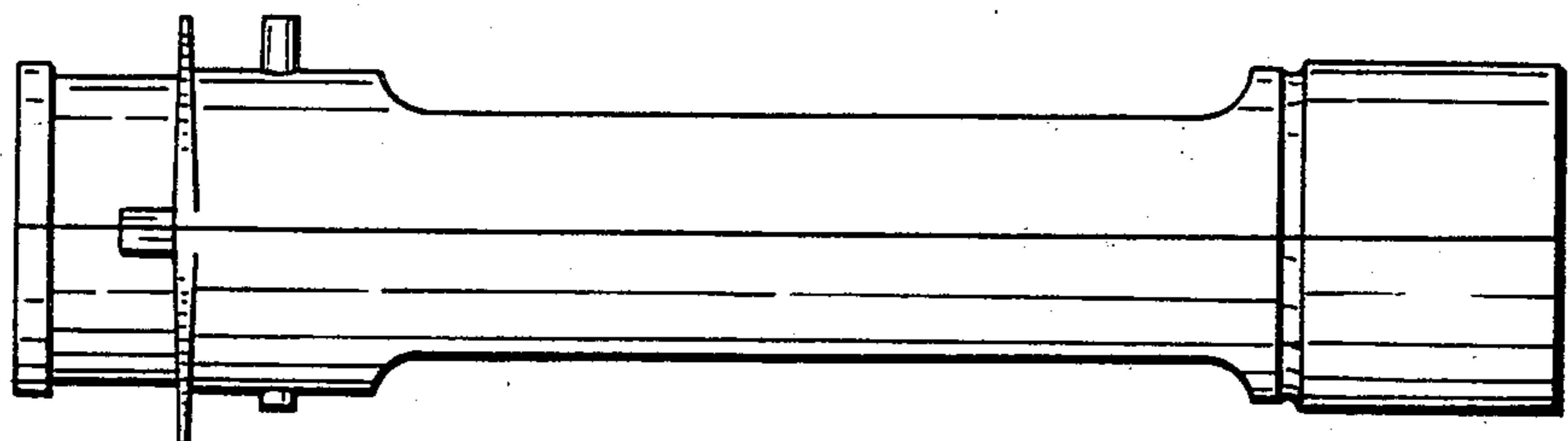
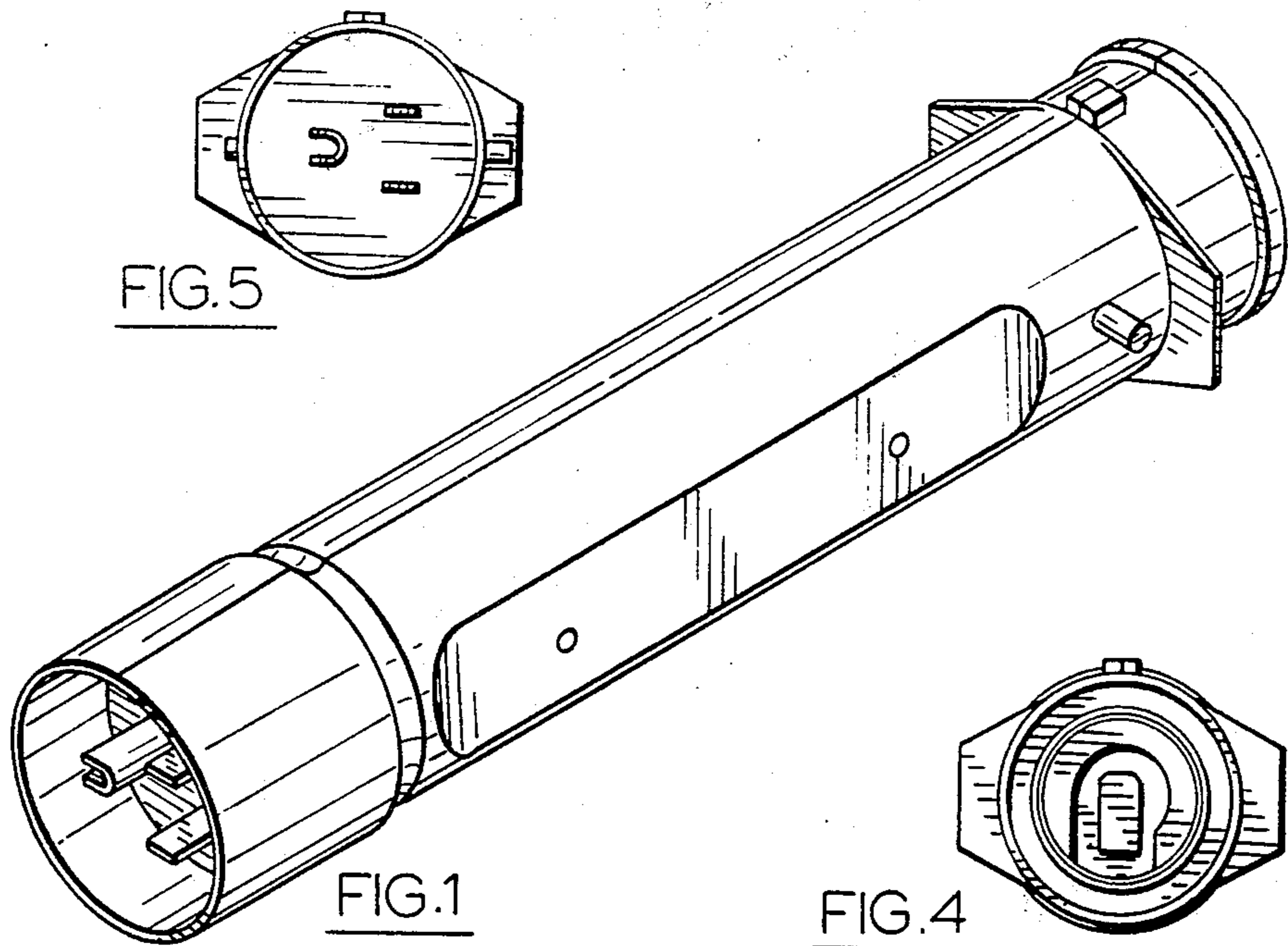


FIG. 2

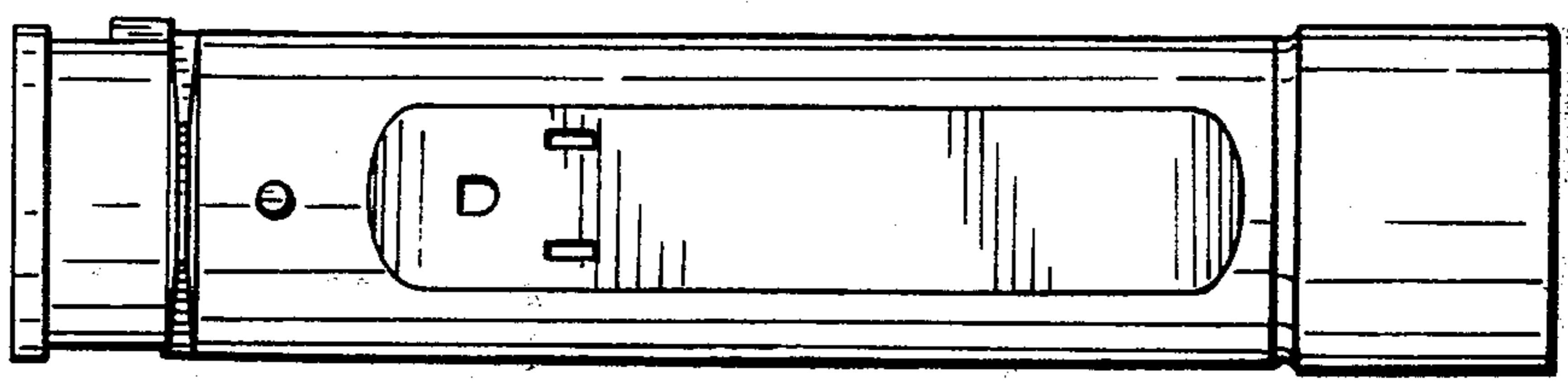


FIG. 3