

[54] ROTARY PERISTALTIC PUMP FOR INTRAVENOUS DELIVERY OF MEDICAL SOLUTIONS TO PATIENTS

[75] Inventors: Denis H. Nelson, Poway; Gary W. Kozlow, Solana Beach, both of Calif.

[73] Assignee: Warner-Lambert Company, Morris Plains, N.J.

[\*\*] Term: 14 Years

[21] Appl. No.: 536,587

[22] Filed: Sep. 28, 1983

[52] U.S. Cl. .... D24/51

[58] Field of Search ..... D24/51, 17, 21-25, D24/27, 29, 52, 53, 59, 62, 64, 99; 417/474; 604/118-123; 128/DIG. 1, 13, 26; D15/7

[56] References Cited

U.S. PATENT DOCUMENTS

D. 236,163	7/1975	Manno	.....	D15/7
D. 255,147	5/1980	Jess et al.	.....	D24/8
4,256,437	3/1981	Brown	.....	604/123
4,482,347	11/1984	Borsanyi	.....	417/474

OTHER PUBLICATIONS

Advertising Brochure entitled "The IMED® 430 Enteral Delivery System.

Advertising Brochure entitled "IMED® 430 Enteral Feeding Sets and Containers".

Advertising Brochure entitled "The IMED® 440 Infusion Pump".

Advertising Brochure entitled "IMED® 440 Peristaltic Infusion Pump".

Primary Examiner—Wallace R. Burke

Assistant Examiner—Brian N. Vinson

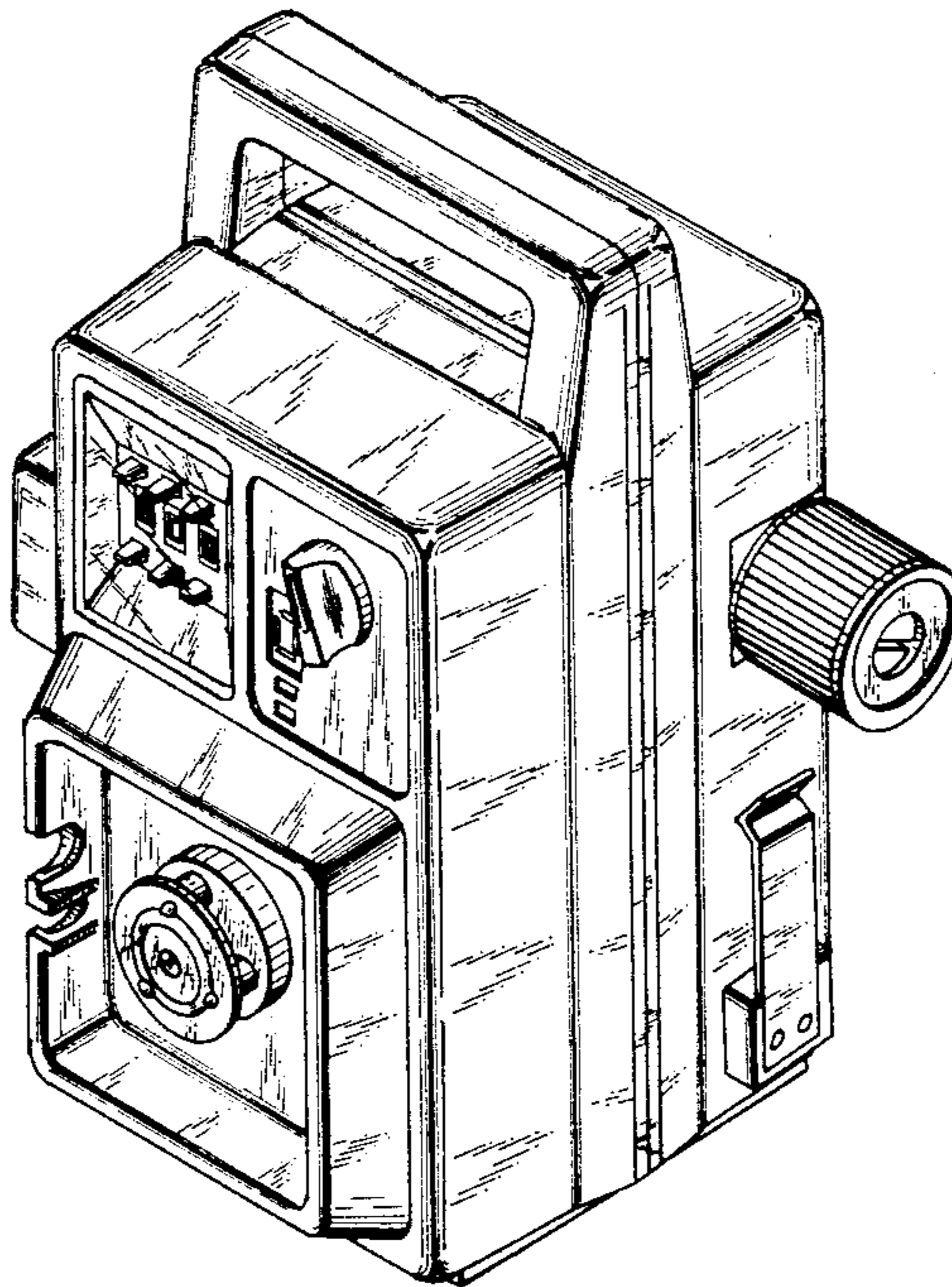
Attorney, Agent, or Firm—Neil K. Nydegger

[57] CLAIM

The ornamental design for a rotary peristaltic pump for intravenous delivery of medical solutions to patients, as shown and described.

DESCRIPTION

FIG. 1 is a perspective view of a rotary peristaltic pump, showing our new design; FIG. 2 is a left side elevation thereof; FIG. 3 is a rear elevation thereof; and FIG. 4 is a bottom plan view thereof.



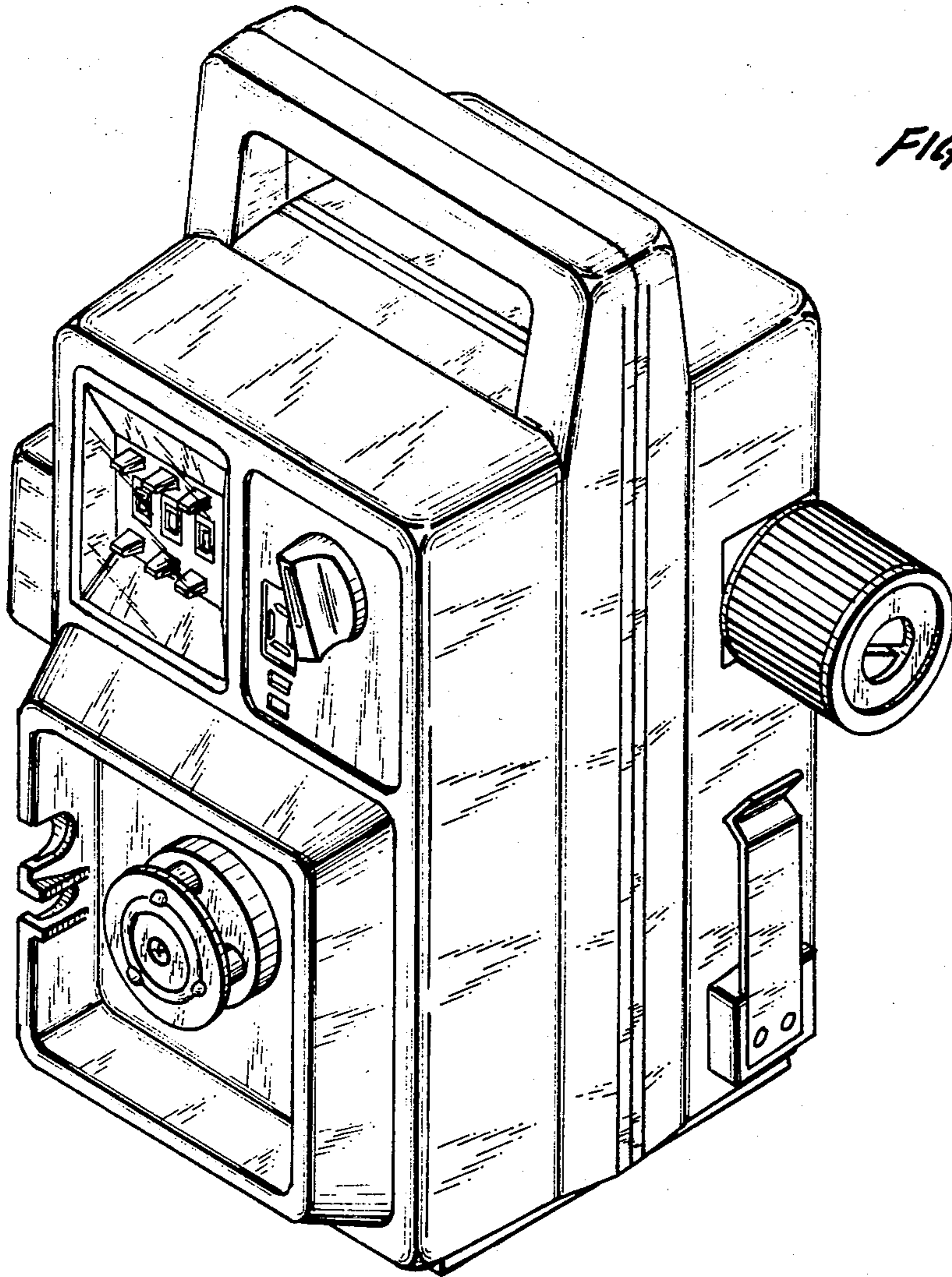


Fig. 1

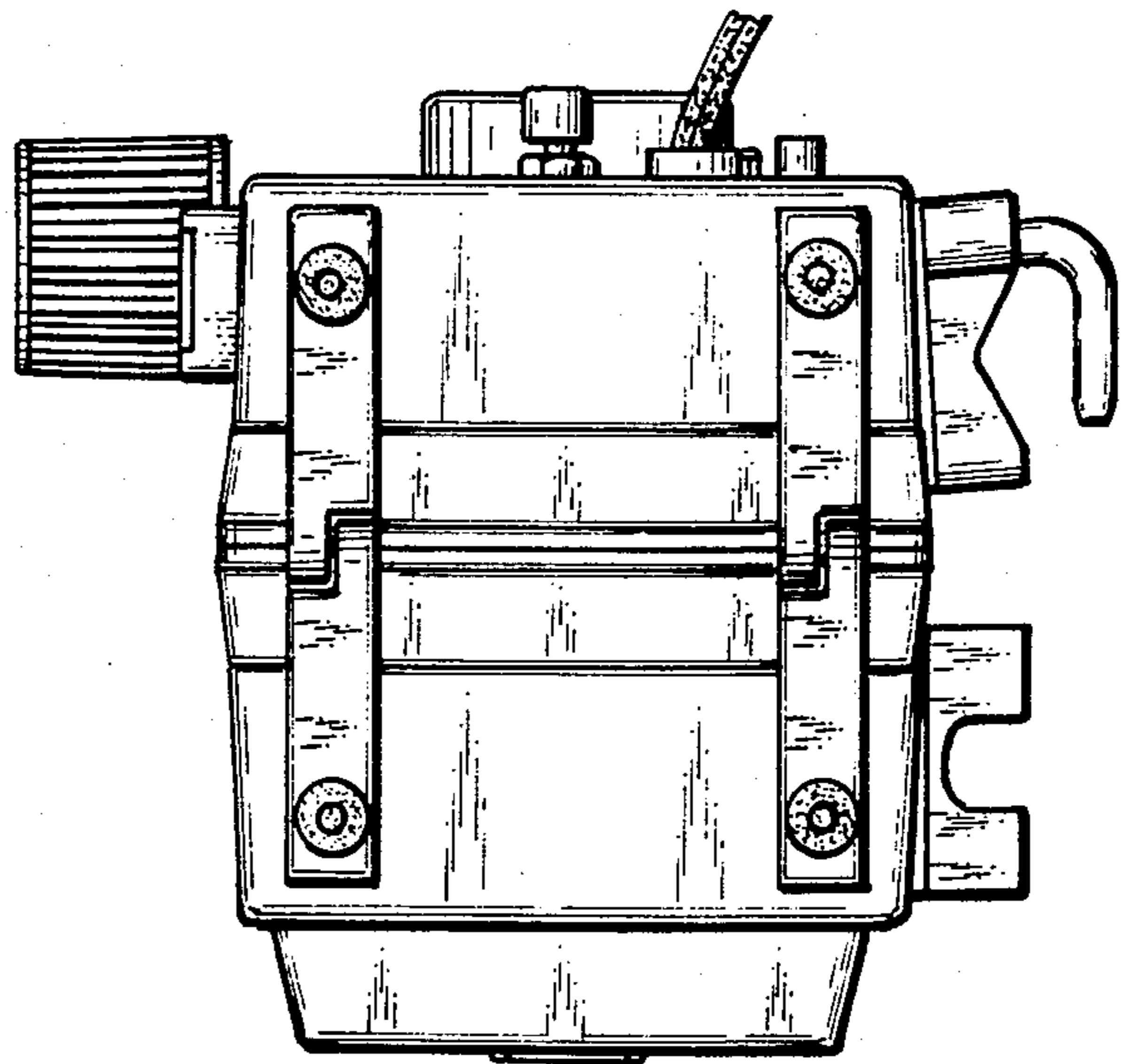
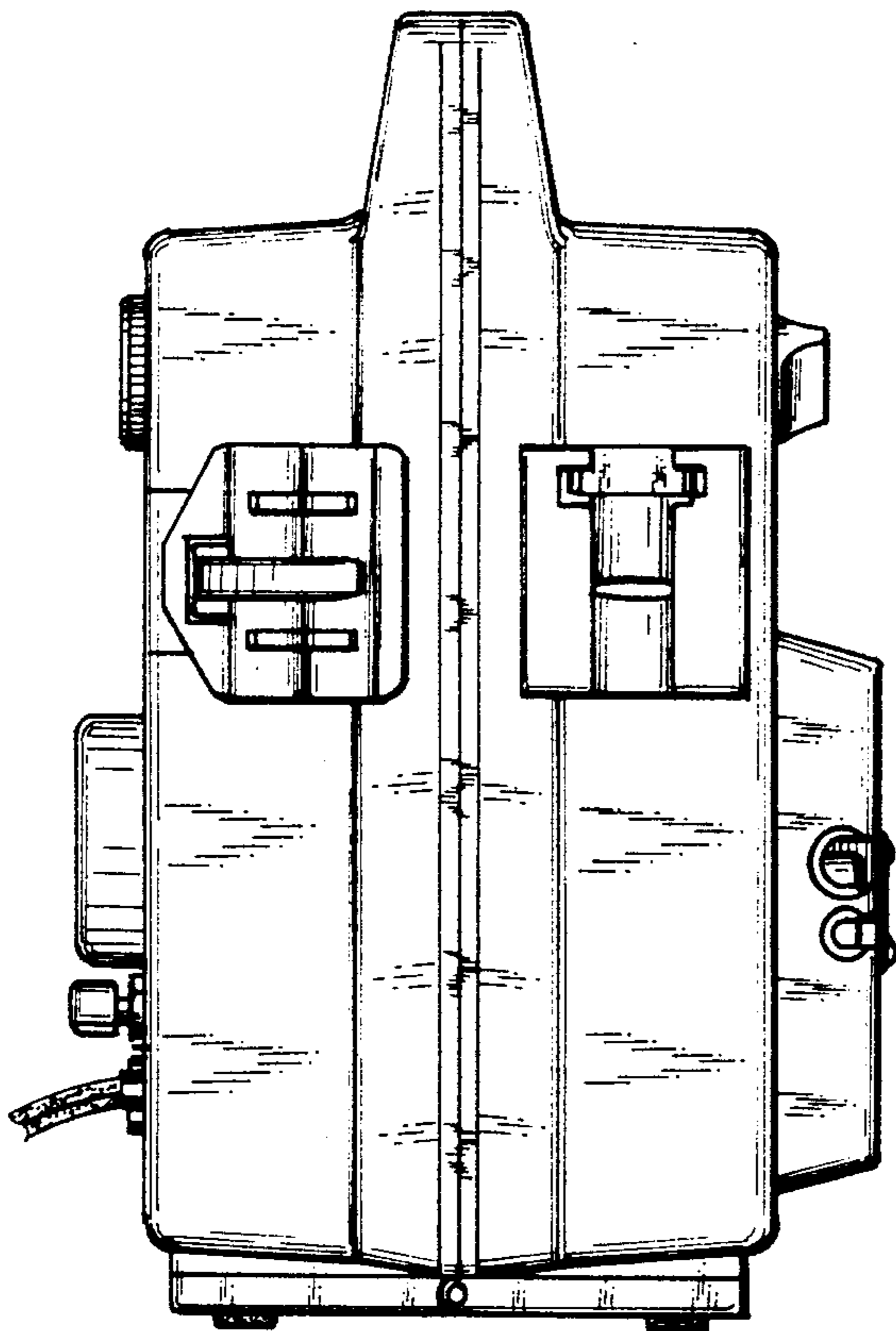
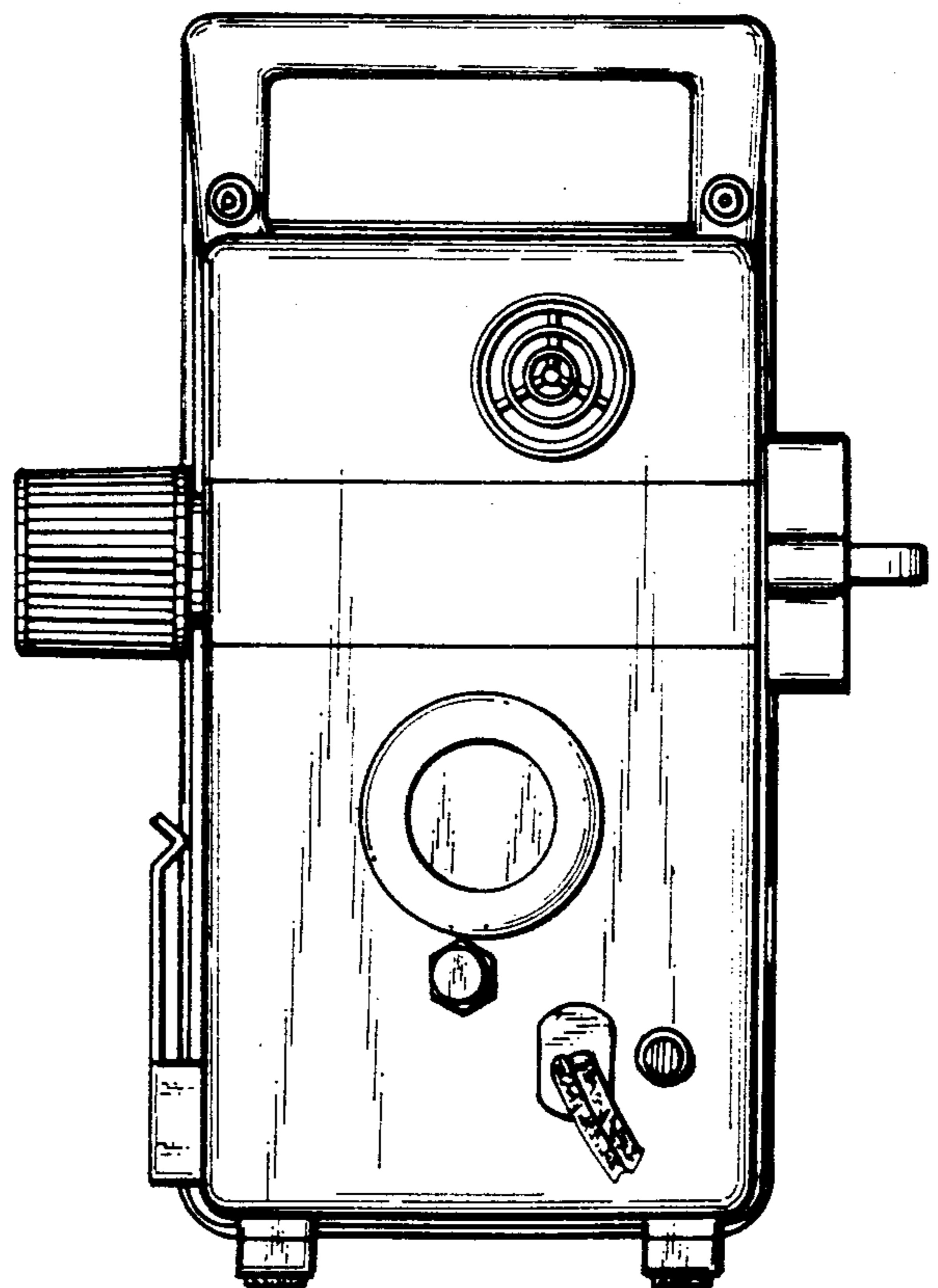


Fig. 4



*Fig. 2*



*Fig. 3*