

[54] BATHING TUB

[76] Inventor: Adrian P. Sween, Rte. 3, Box 214B, Little Falls, Minn. 56345

[\*\*] Term: 14 Years

[21] Appl. No.: 552,673

[22] Filed: Nov. 17, 1983

[52] U.S. Cl. .... D24/38; 4/555; 4/556; D23/55

[58] Field of Search ..... D24/1.1, 36, 38, 8; 4/555, 556, 557; D23/48, 49, 50, 55, 56

[56] References Cited

U.S. PATENT DOCUMENTS

D. 251,256	3/1979	Newburger	.....	D23/49
2,714,725	8/1955	Boone	.....	D24/37 X
3,380,078	4/1968	Hanson	.....	4/555
3,663,971	5/1972	Bonhote	.....	4/556
3,863,275	2/1975	Brendgord et al.	.....	4/556
4,099,272	7/1978	Sowder	.....	4/555
4,118,810	10/1978	Brickhouse et al.	.....	4/556

OTHER PUBLICATIONS

Brochure entitled "Century Patient Bathing System",

Century Manufacturing Company, Industrial Park, Aurora, Nebraska 68818.

Brochure entitled, "Arjo Bath Tub with Control Panel", B0745, Arjo Hospital Equipment AB, Box 61, S-241 00 Esloy, Sweden.

Brochure entitled, "The Bather Silcraft Corporation", Silcraft Corporation, P.O. Box 335, 5168 US 31 North, Acme, MI 49610 (1981).

Primary Examiner—A. Hugo Word

Assistant Examiner—Stella M. Reid

Attorney, Agent, or Firm—Merchant, Gould, Smith, Edell, Welter & Schmidt

[57] CLAIM

The ornamental design for a bathing tub, substantially as shown.

DESCRIPTION

FIG. 1 is a perspective view of a bathing tub showing my new design;

FIG. 2 is a front elevational view thereof;

FIG. 3 is a right side elevational view thereof;

FIG. 4 is a left side elevational view thereof;

FIG. 5 is a top plan view thereof; and

FIG. 6 is a bottom plan view thereof.

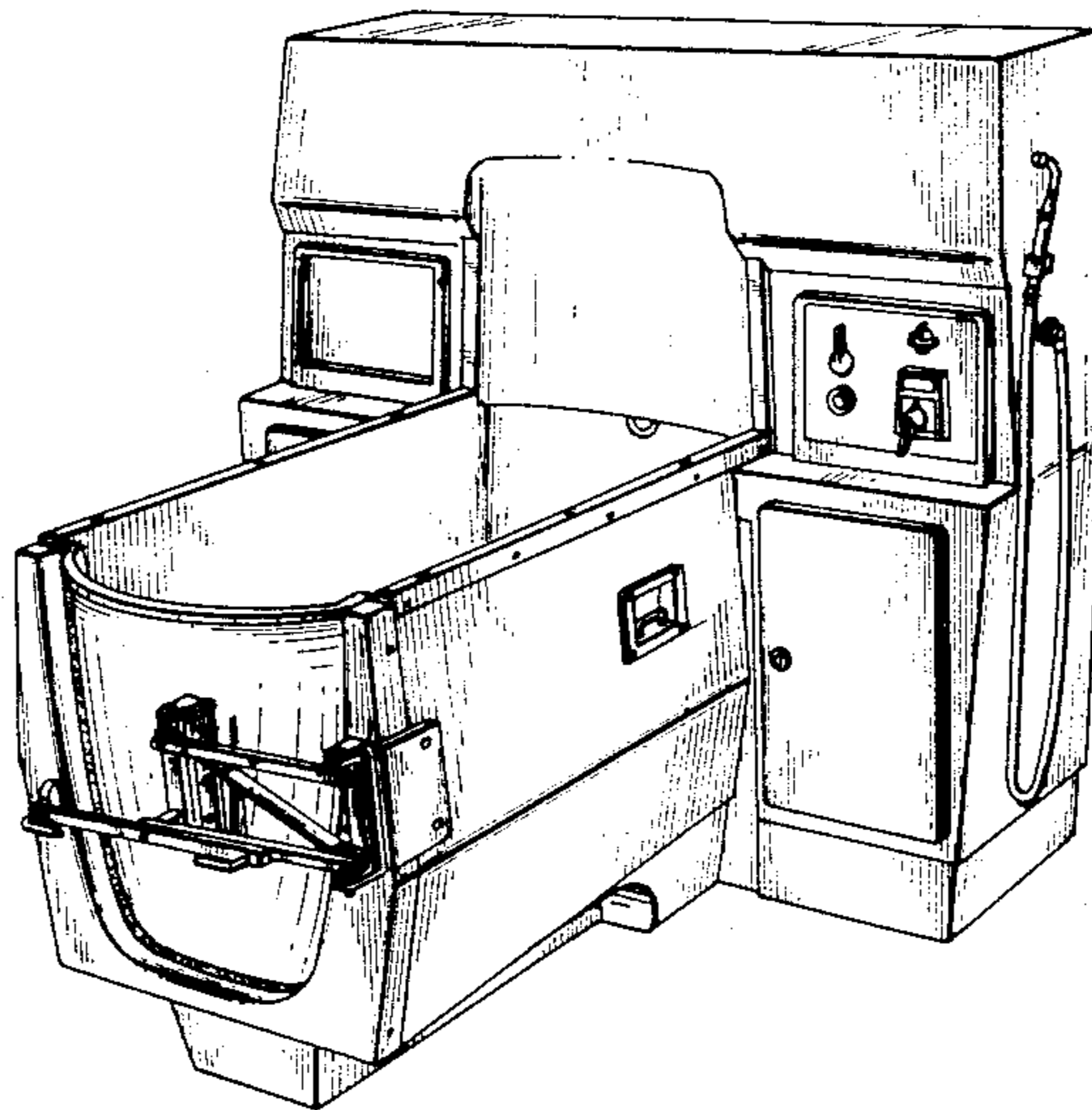


FIG. 1

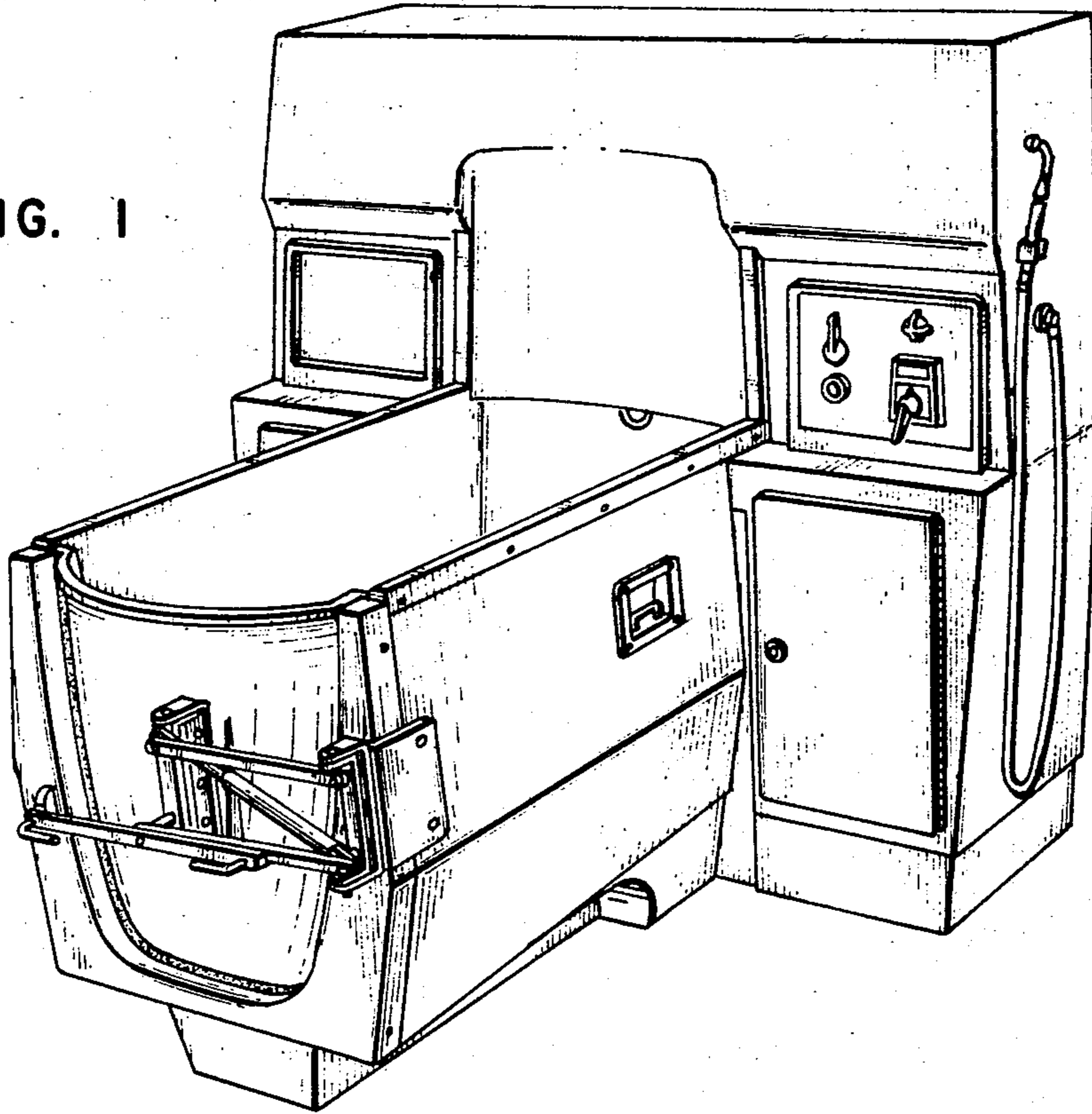


FIG. 2

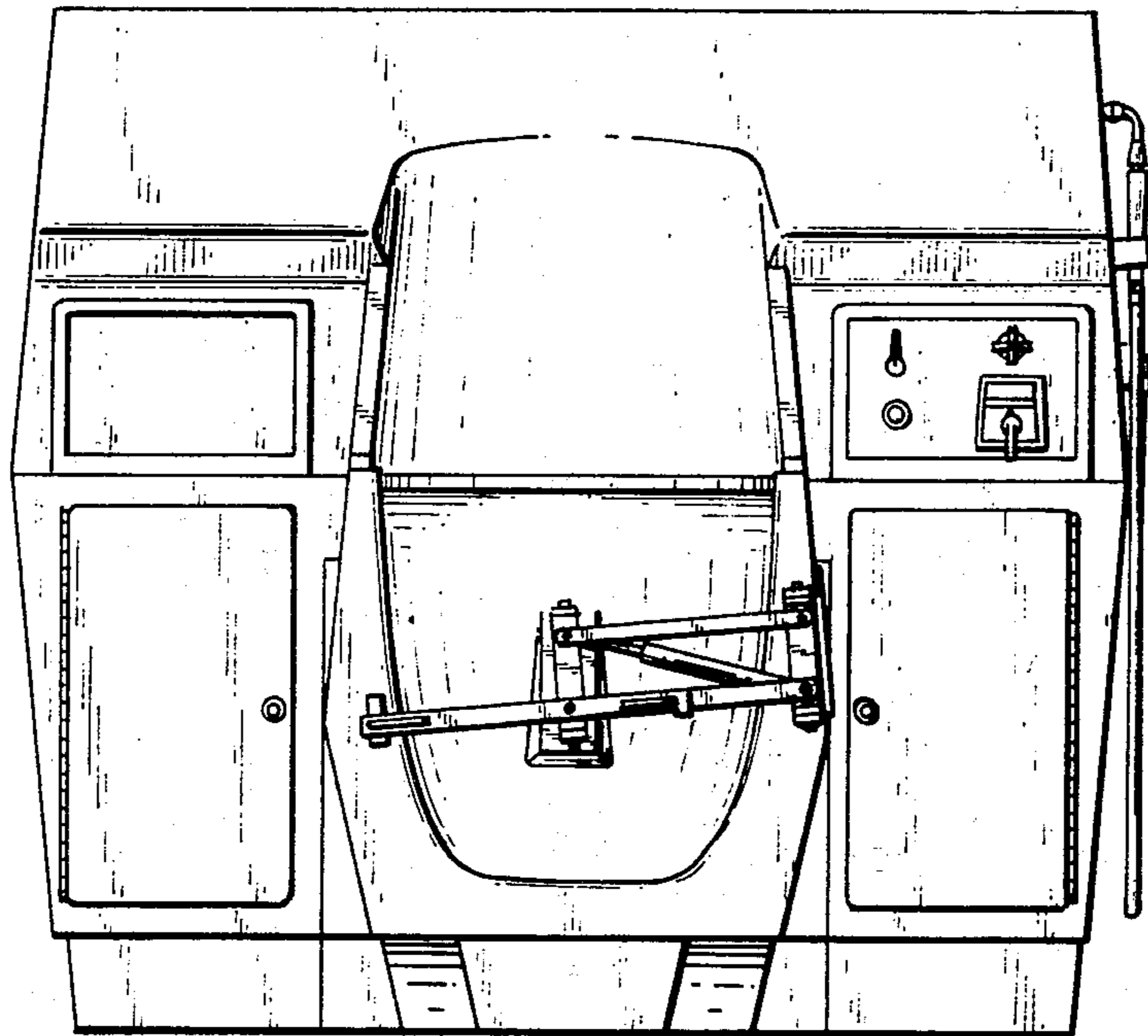


FIG. 3

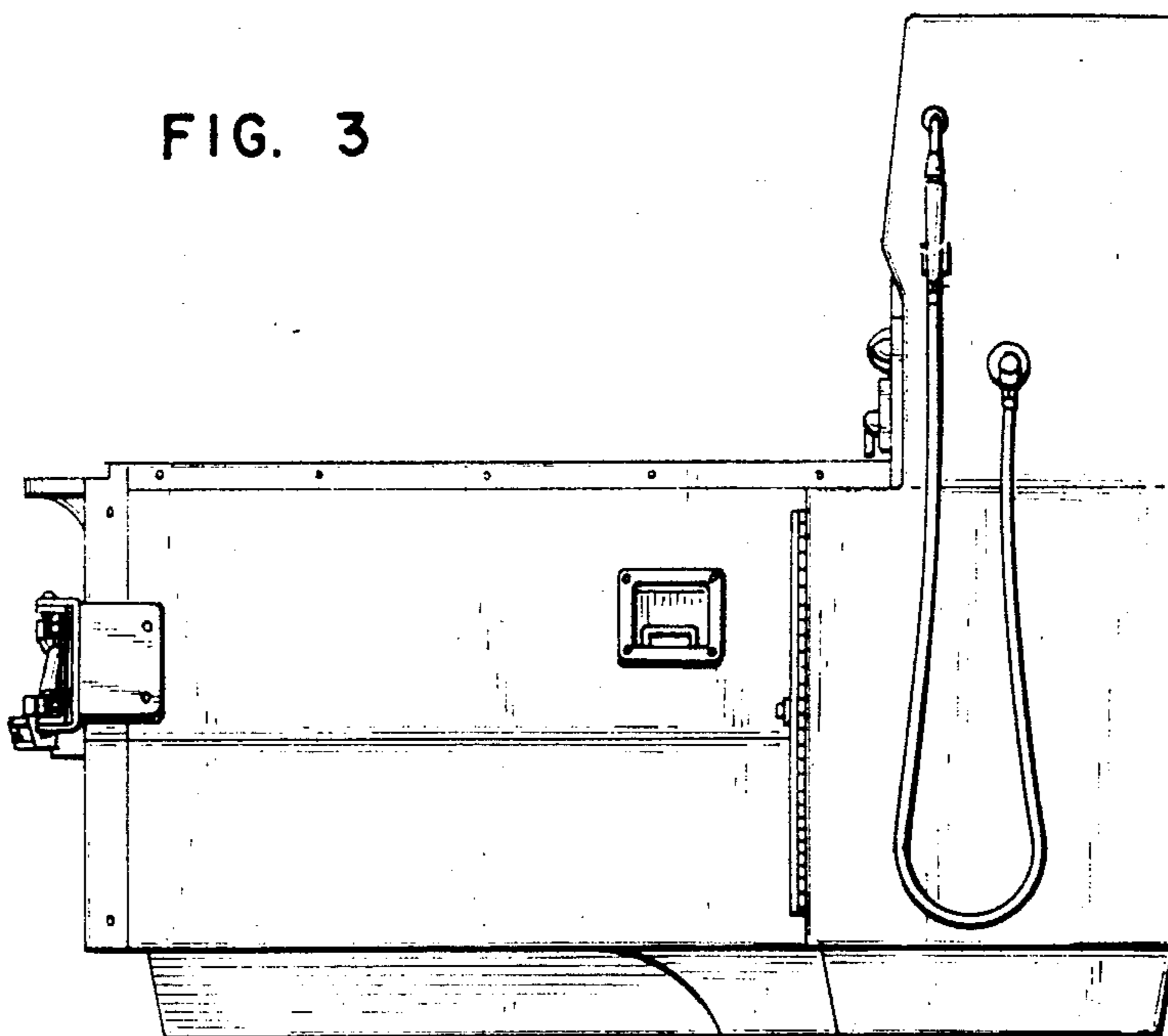
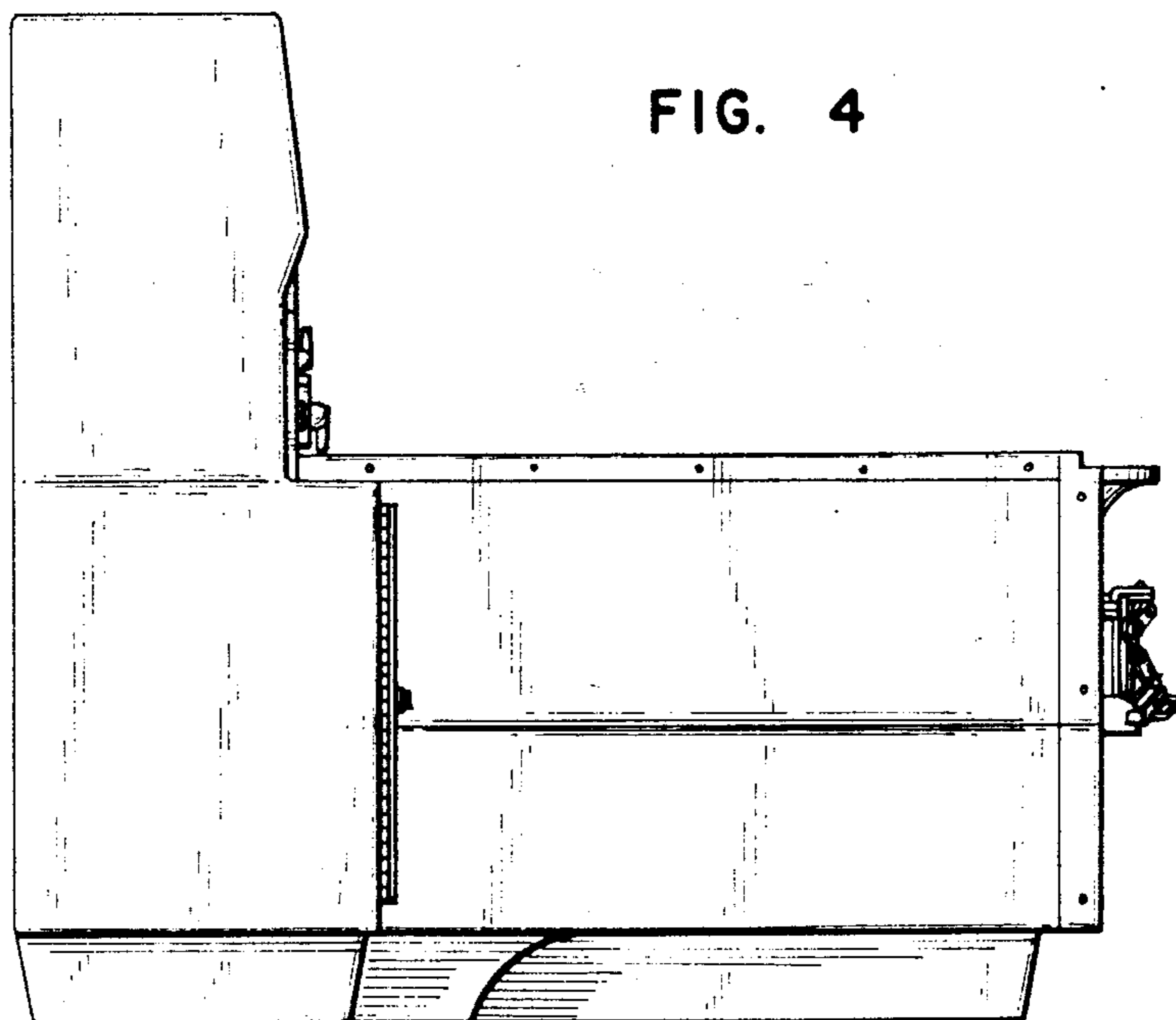


FIG. 4



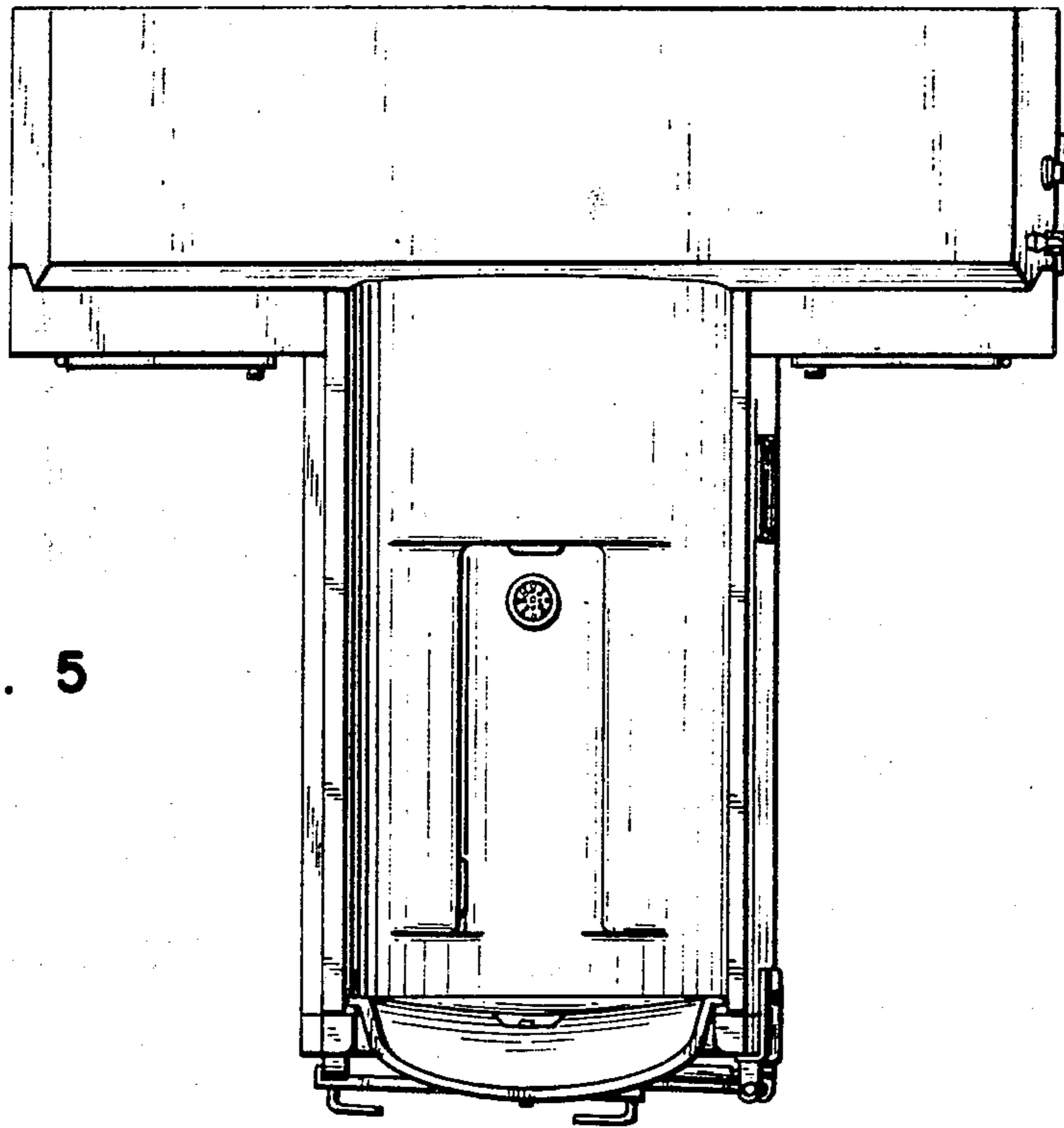


FIG. 5

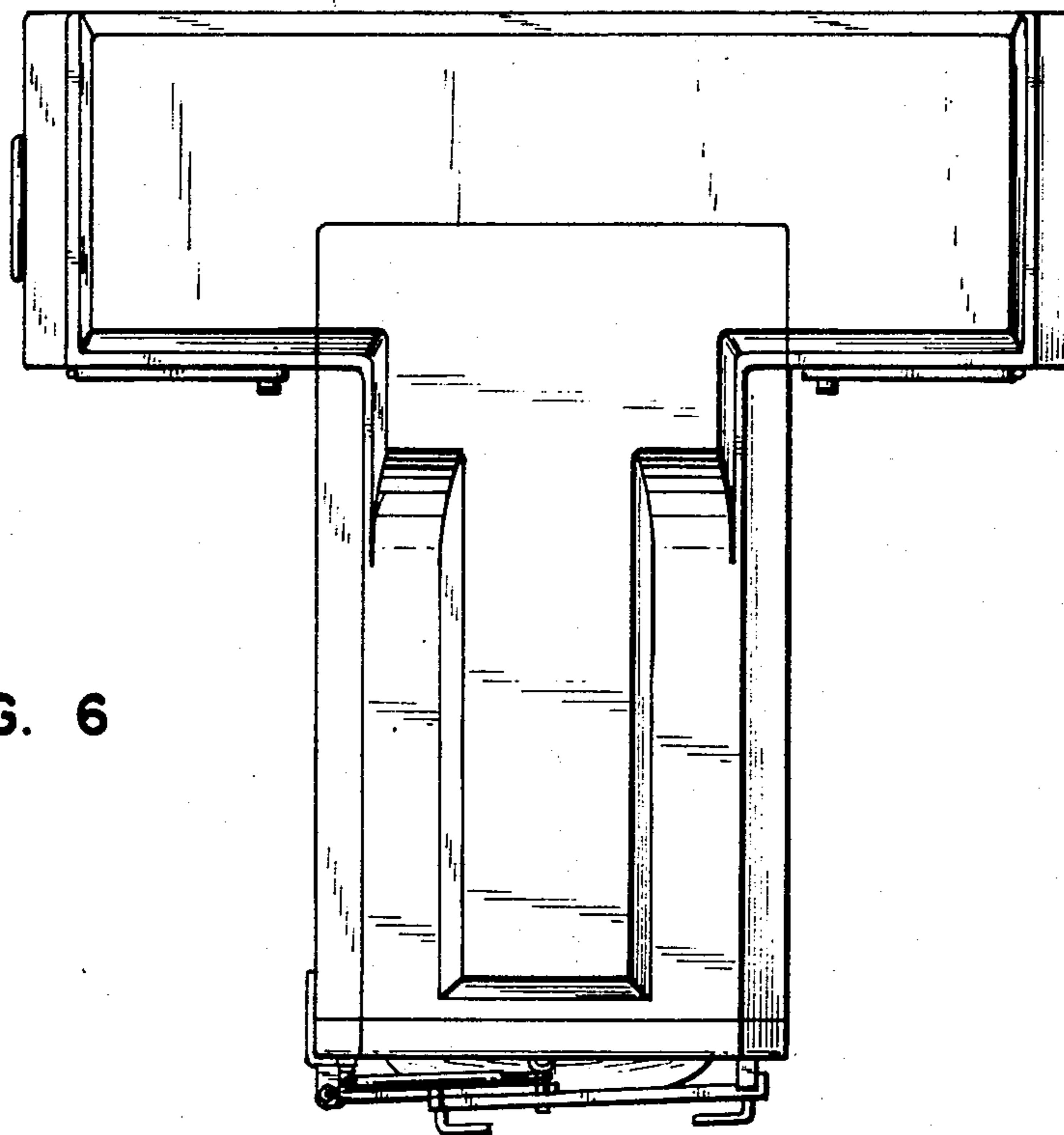


FIG. 6