

[54] PROGRAMMABLE INFUSION AND INJECTION UNIT OR THE LIKE

[76] Inventor: Anders Tamsen, Sveddvägen 5B, S-752 52 Uppsala, Sweden

[**] Term: 14 Years

[21] Appl. No.: 472,885

[22] Filed: Mar. 8, 1983

[30] Foreign Application Priority Data

Sep. 10, 1982 [SE] Sweden 82-2171

[52] U.S. Cl. D24/17

[58] Field of Search D24/52, 51, 17, 7, 8; D14/4, 5, 7, 12, 70, 73; 128/DIG. 1, DIG. 12; 604/65, 67, 245, 246, 253

[56] References Cited

U.S. PATENT DOCUMENTS

- D. 268,206 3/1983 Kasako D24/8
- D. 278,181 3/1985 Archibald et al. D24/8

4,525,163 6/1985 Slavik et al. 128/DIG. 12 X

Primary Examiner—A. Hugo Word
Assistant Examiner—Stella Reid
Attorney, Agent, or Firm—Witherspoon & Hargest

[57] CLAIM

The ornamental design for a programmable infusion and injection unit or the like, substantially as is shown.

DESCRIPTION

FIG. 1 is a front perspective view of a programmable infusion and injection unit or the like showing my new design;

FIG. 2 is a back perspective view thereof;

FIG. 3 is a bottom perspective view thereof;

FIG. 4 is a front elevational view thereof;

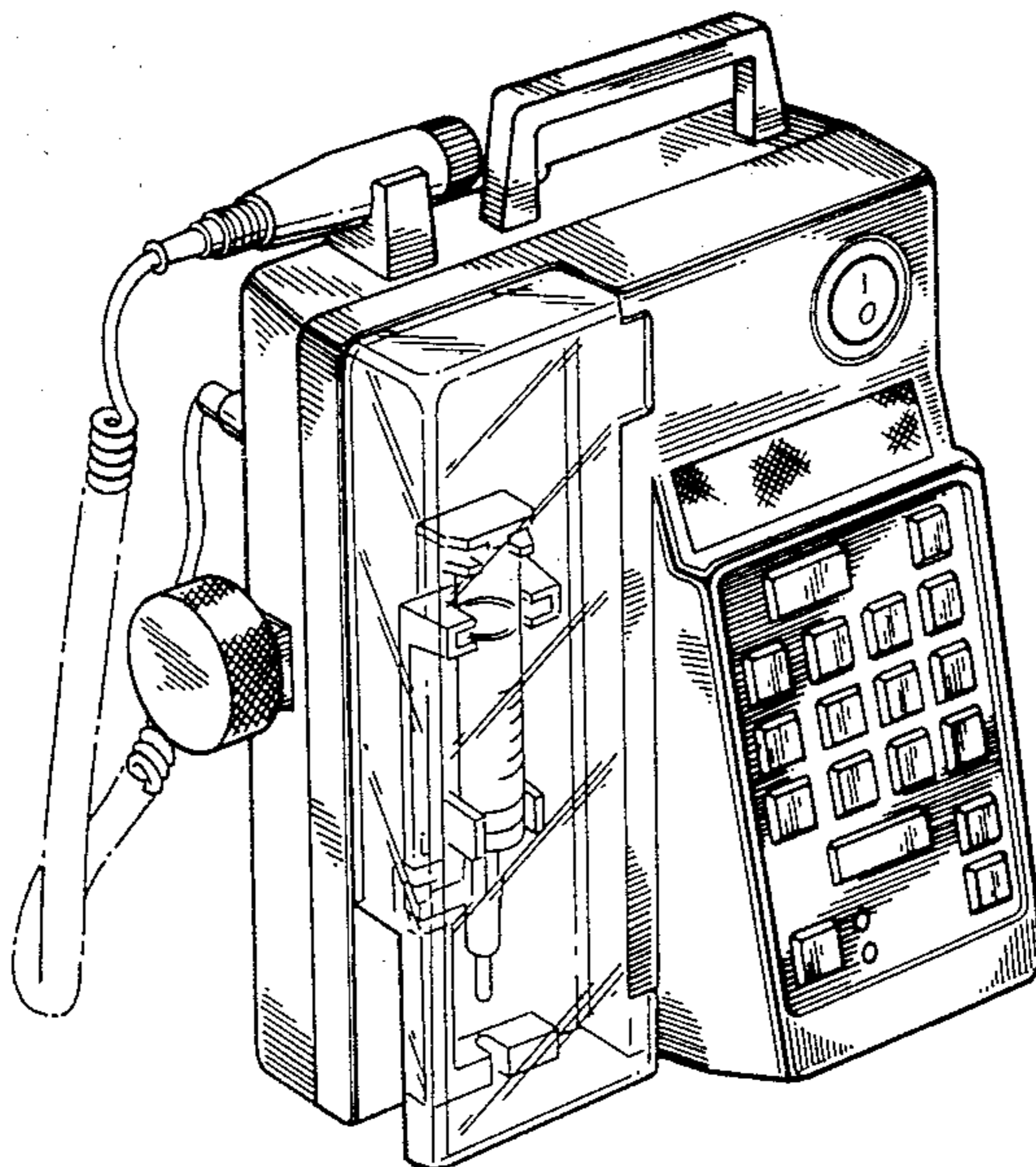
FIG. 5 is a rear elevational view thereof;

FIG. 6 is an elevational view from one side thereof;

FIG. 7 is an elevational view from the opposite side thereof;

FIG. 8 is a bottom plan view thereof; and

FIG. 9 is a top plan view thereof.



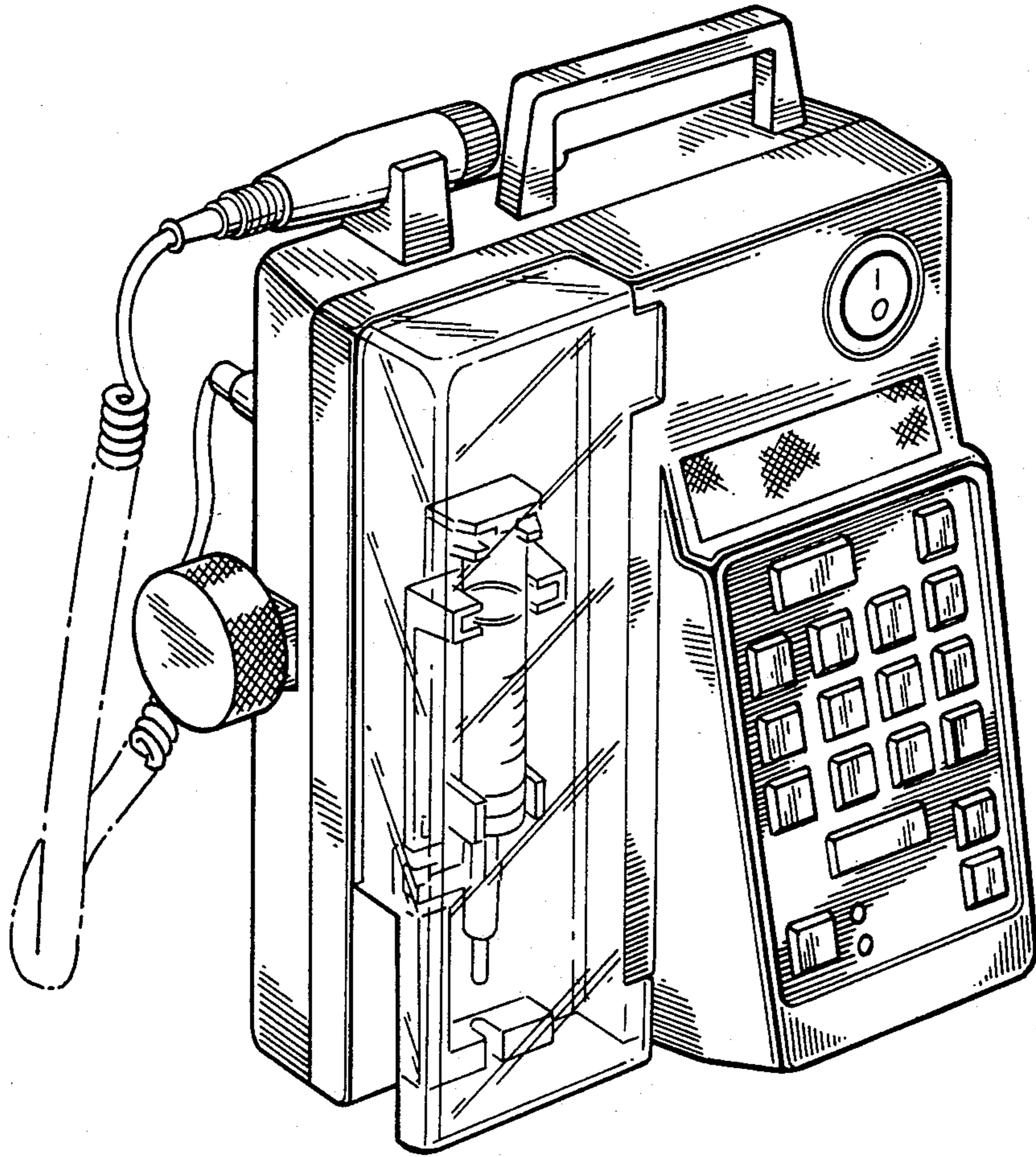


FIG. 1

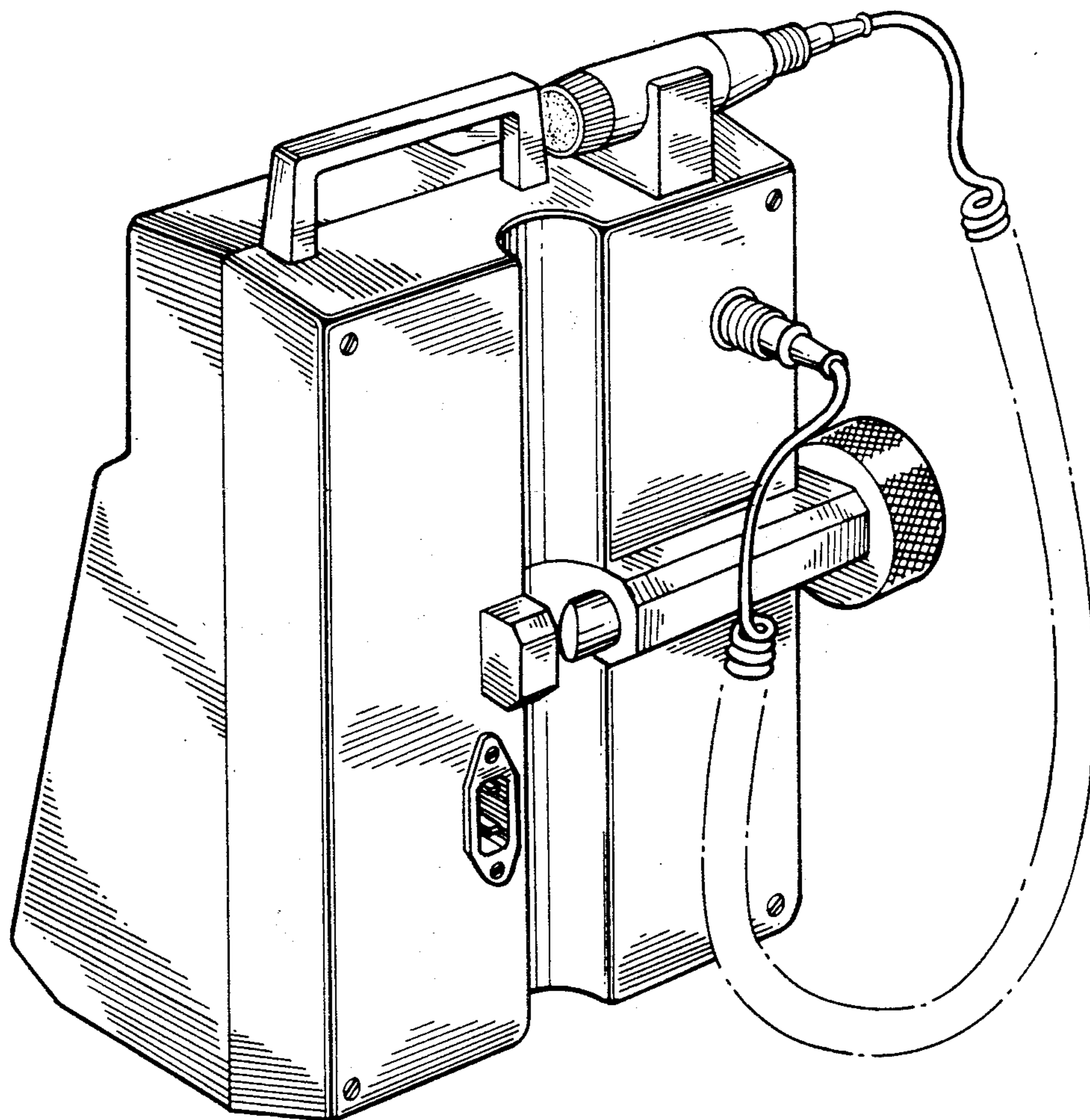


FIG. 2

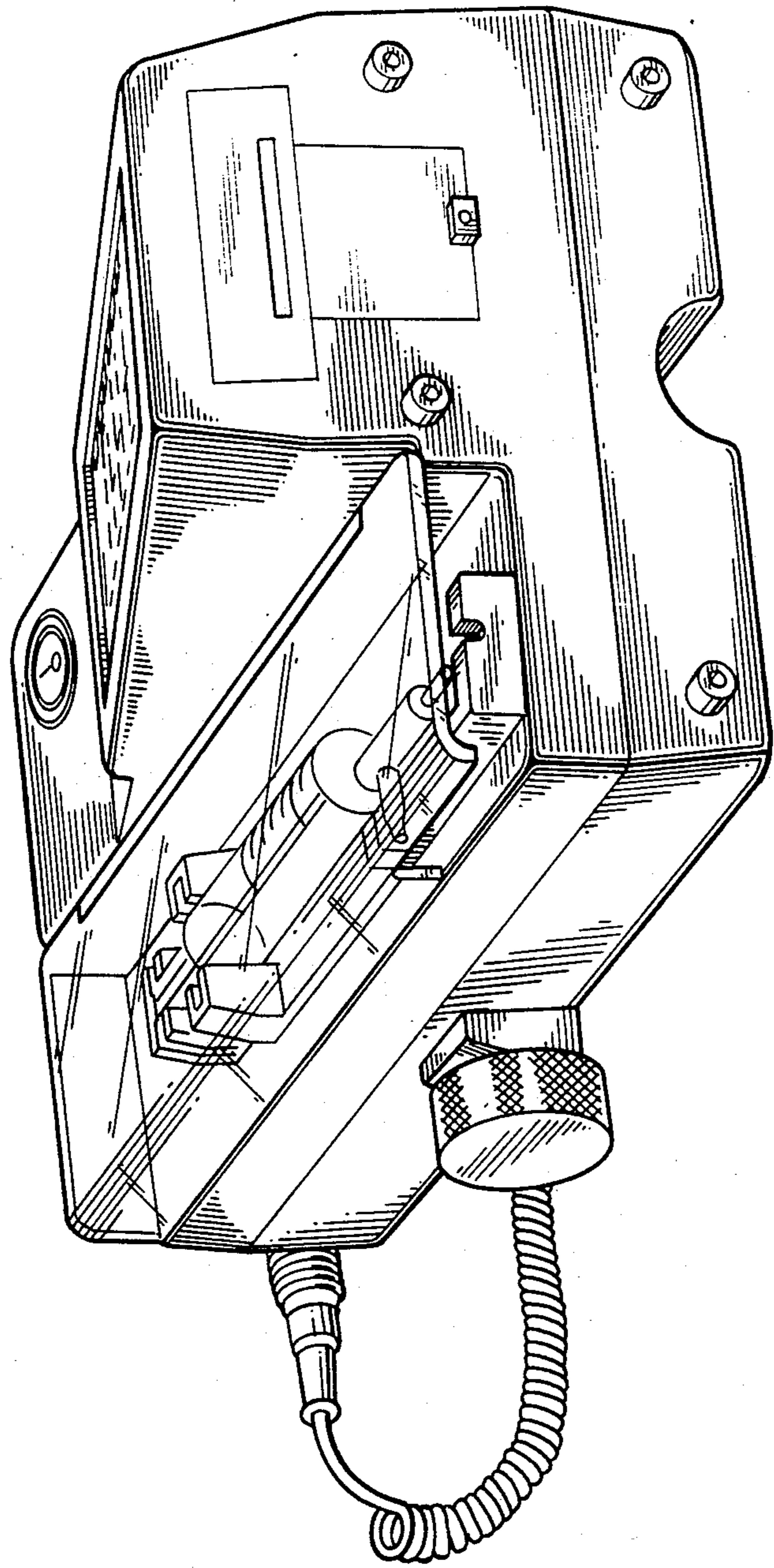


FIG. 3

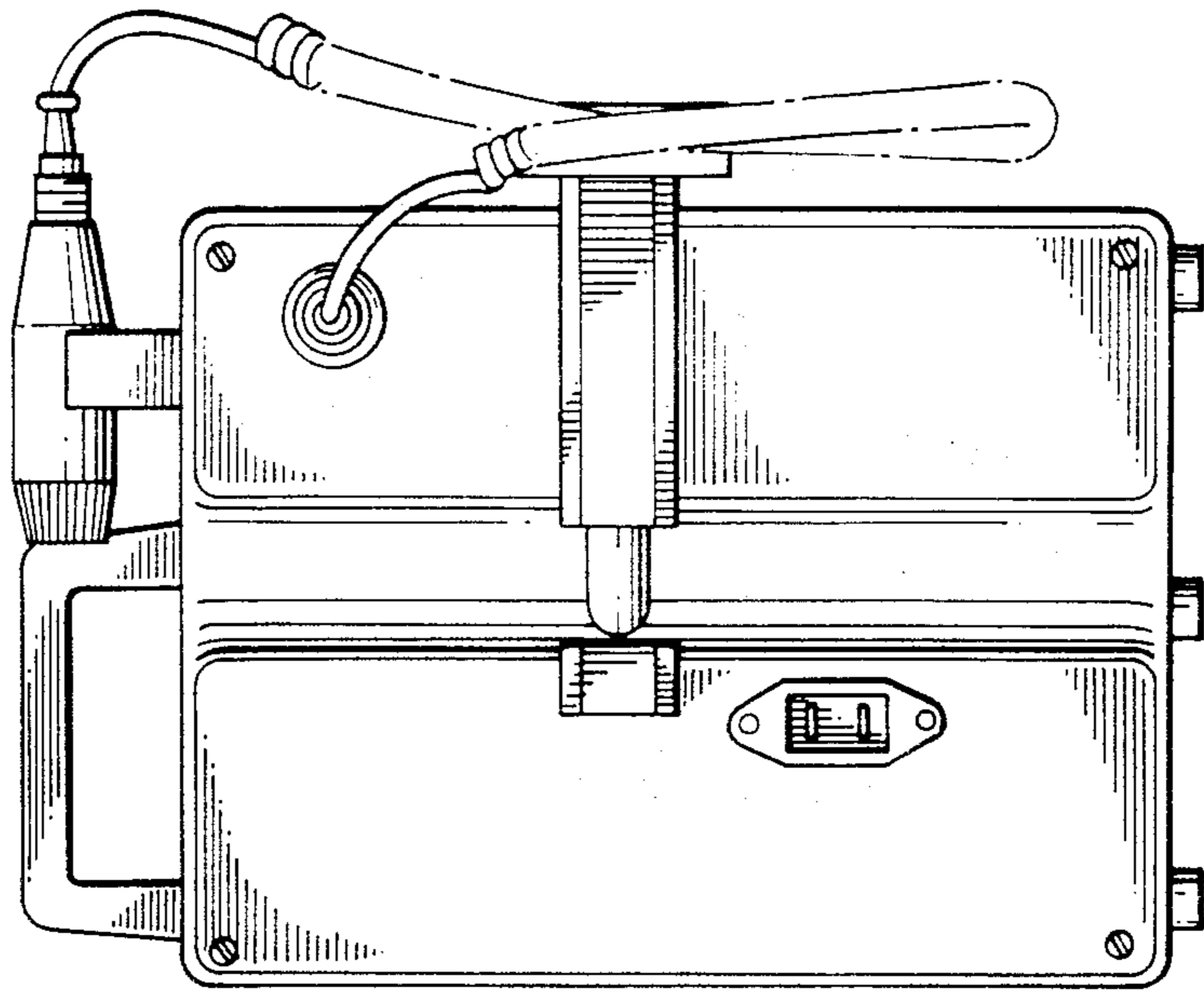


FIG. 5

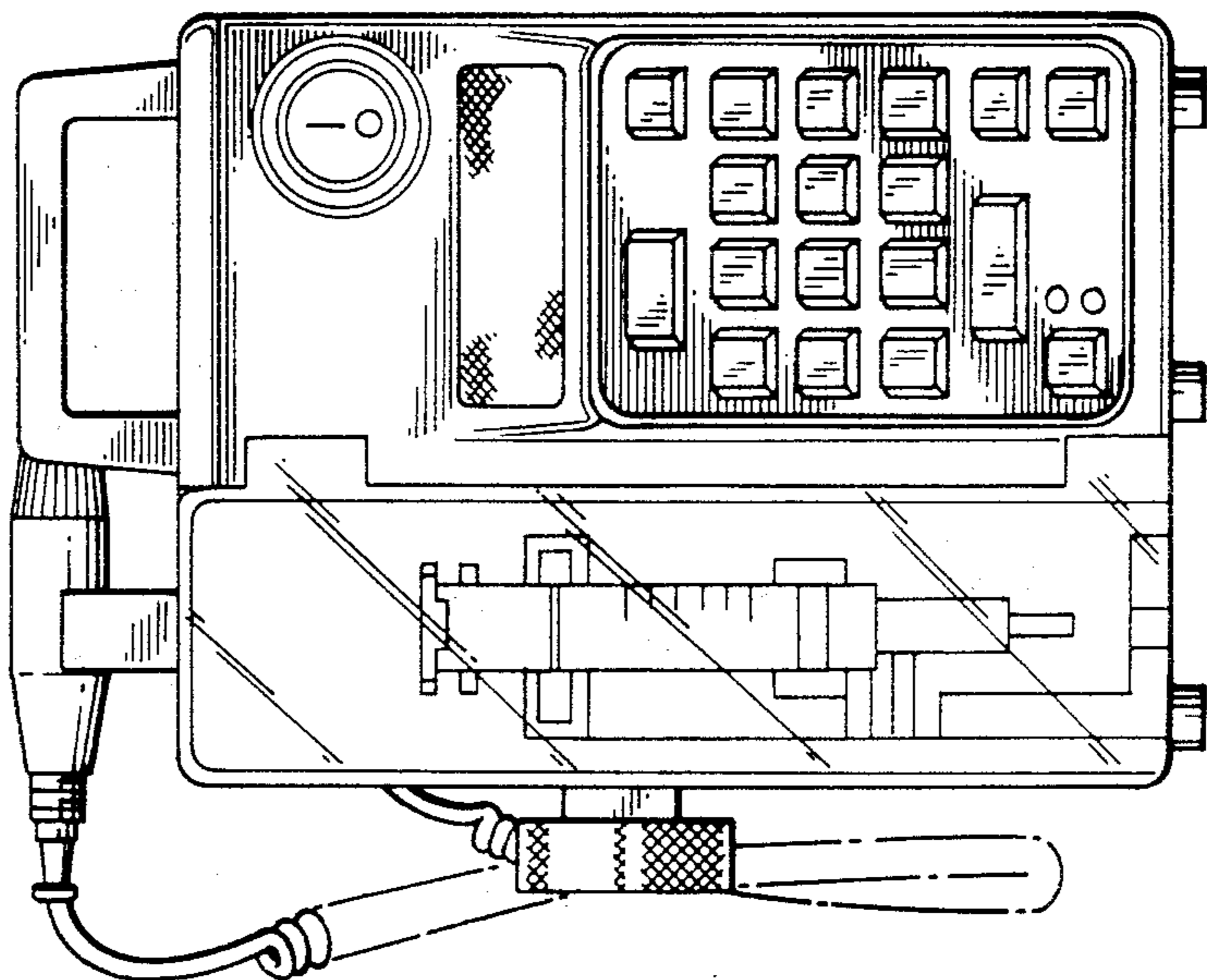


FIG. 4

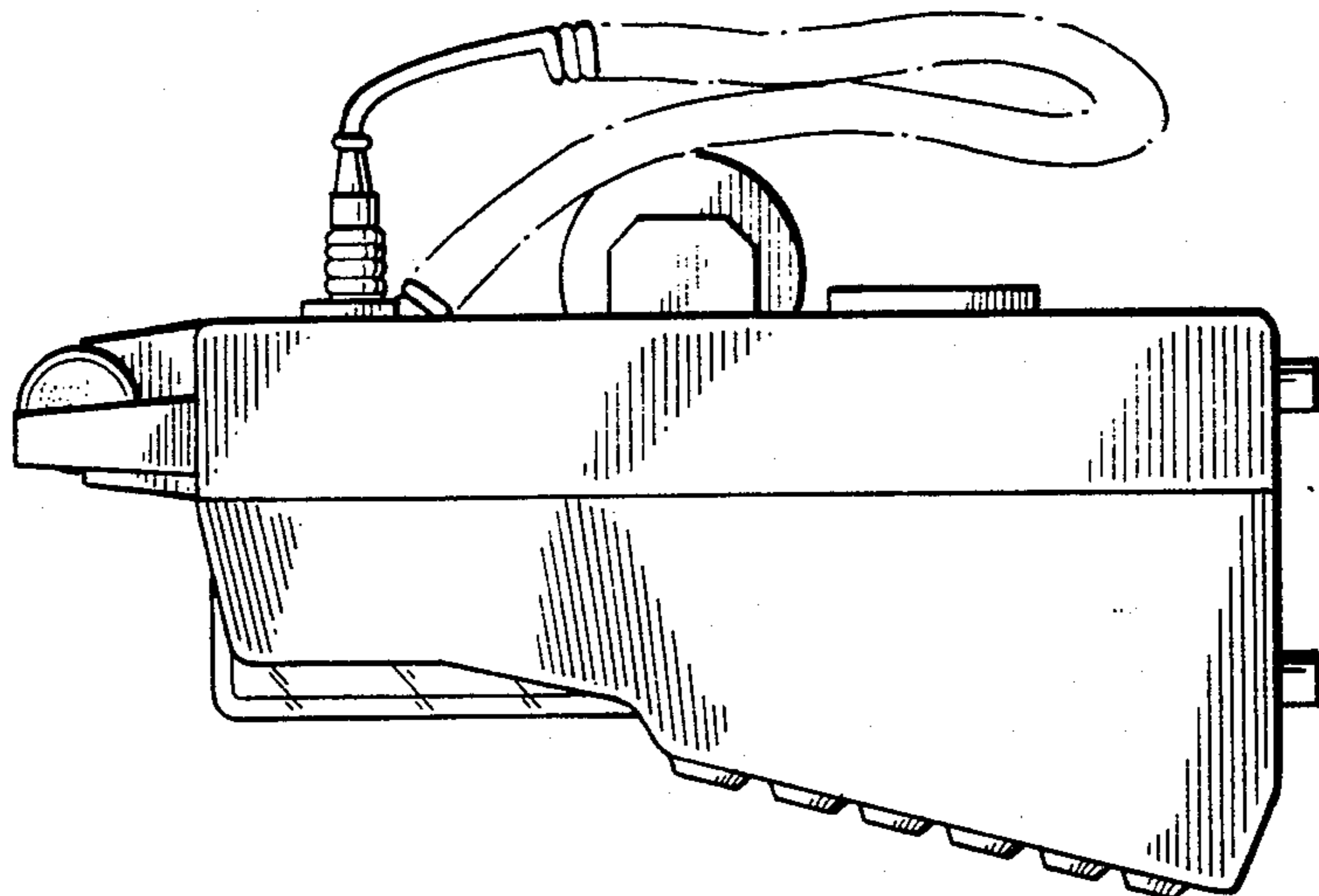


FIG. 7

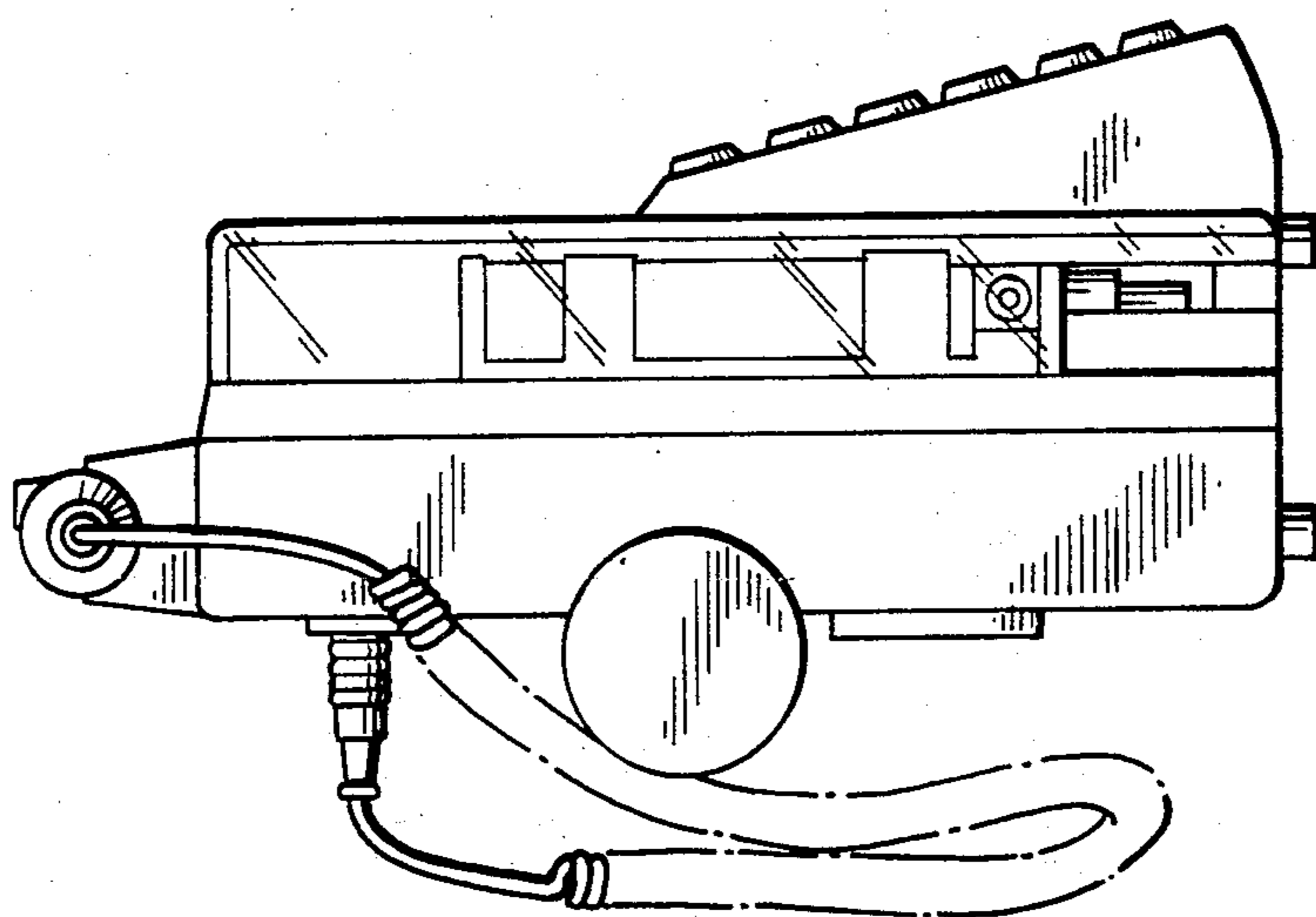


FIG. 6

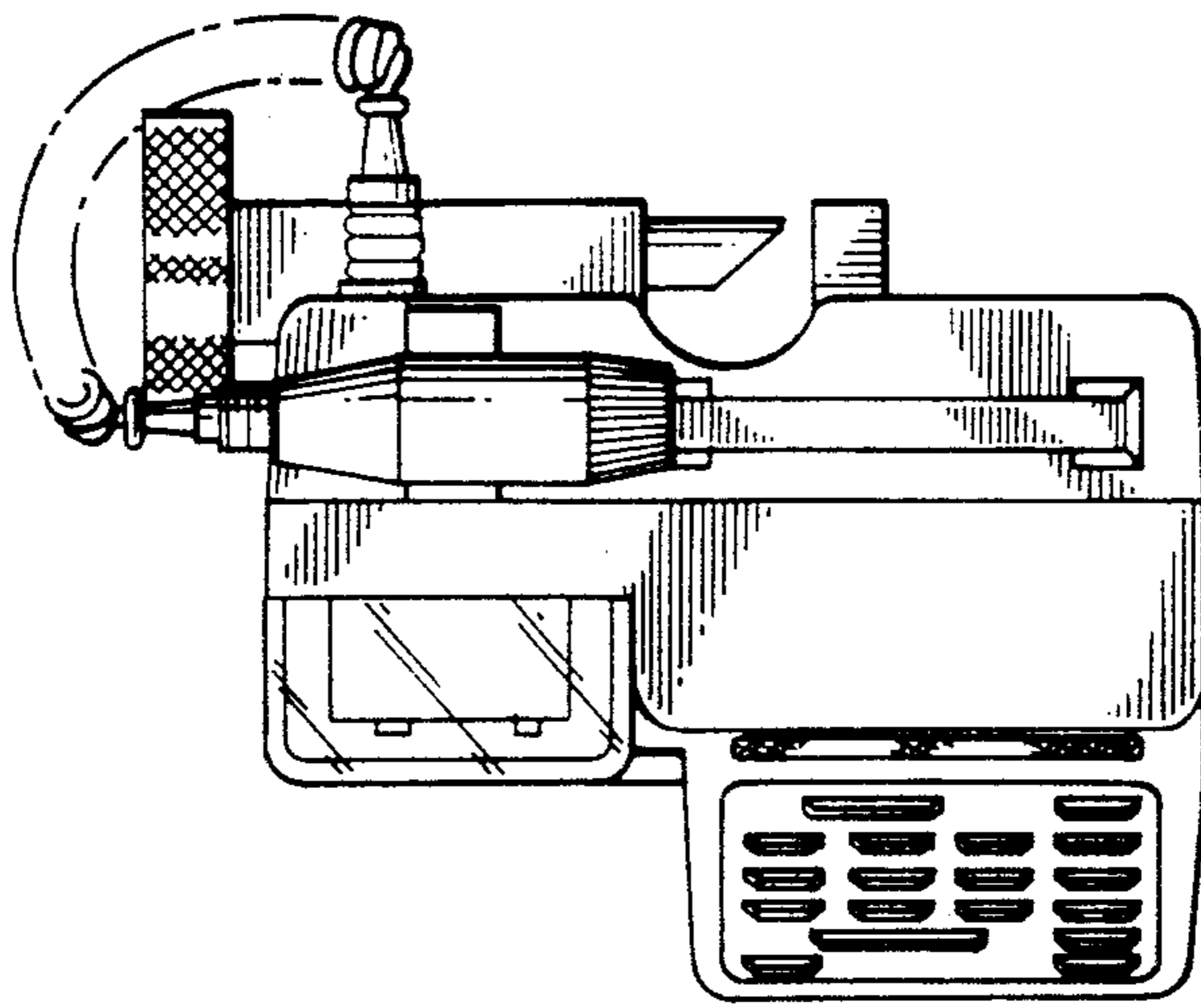


FIG. 9

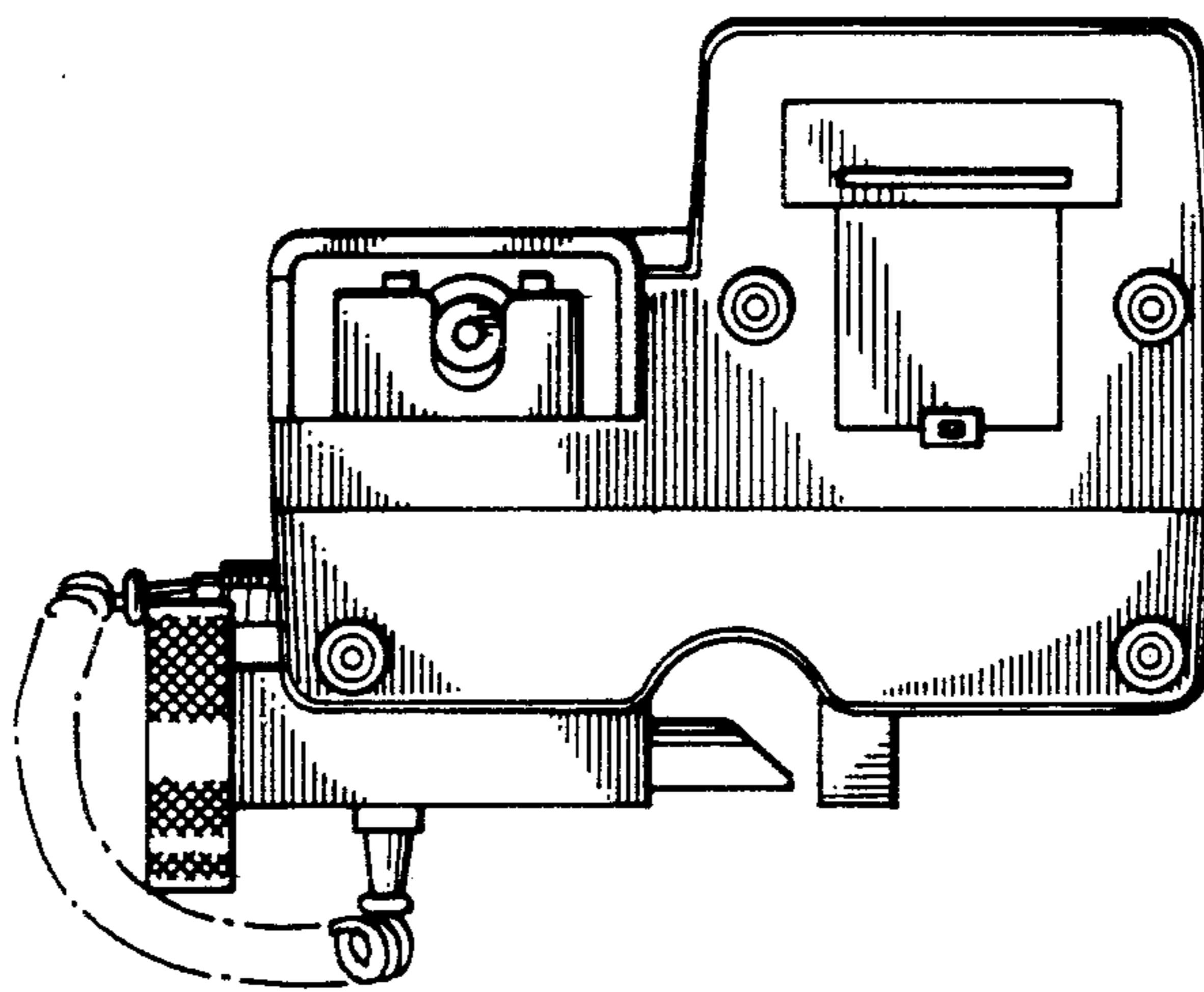


FIG. 8