

[54] **VEHICLE FOR A ROLLER COASTER**

[75] Inventor: **Masaaki Okamoto, Osaka, Japan**

[73] Assignee: **Meisho Tokushu Sangyo Co., Ltd.,
Osaka, Japan**

[**] Term: **14 Years**

[21] Appl. No.: **566,690**

[22] Filed: **Dec. 29, 1983**

[52] U.S. Cl. **D21/242**

[58] Field of Search **D21/240, 242, 243, 247,
D21/250; 272/17, 18, 45**

[56] **References Cited**

U.S. PATENT DOCUMENTS

- D. 187,036 1/1960 Coats D21/250
- D. 189,828 2/1961 Bacon et al. D21/250

- D. 267,185 12/1982 Reverchon D21/250
- 2,621,929 12/1952 Jackson 272/45 X

Primary Examiner—Carmen H. Vales
Attorney, Agent, or Firm—Birch, Stewart, Kolasch &
Birch

[57] **CLAIM**

The ornamental design for a vehicle for a roller coaster,
as shown.

DESCRIPTION

FIG. 1 is a front elevational view of a vehicle of roller
coaster showing my new design;
FIG. 2 is a top plan view thereof;
FIG. 3 is a bottom plan view thereof;
FIG. 4 is a left side elevational view thereof;
FIG. 5 is a right side elevational view thereof; and
FIG. 6 is a perspective view thereof.

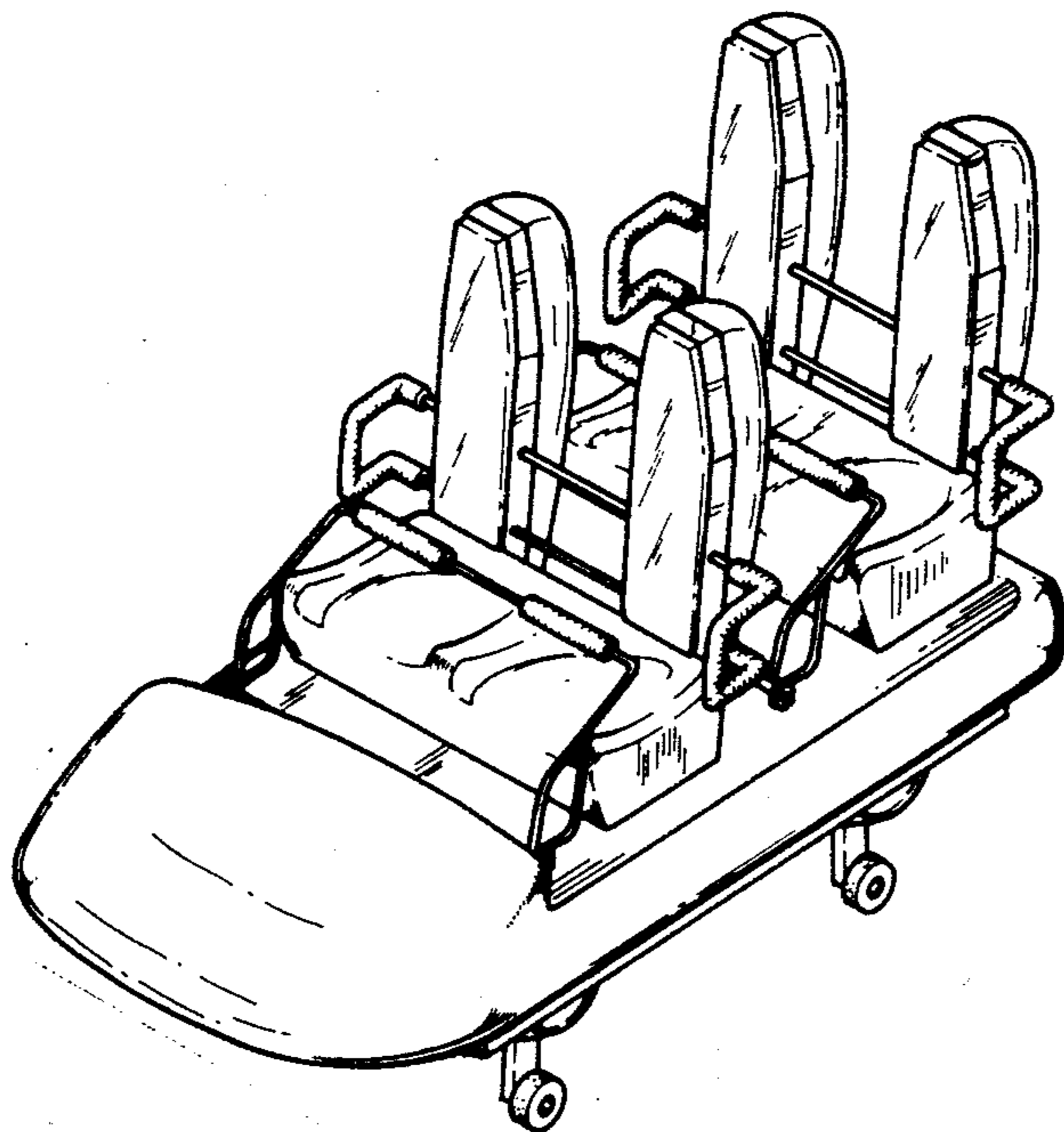


FIG.1

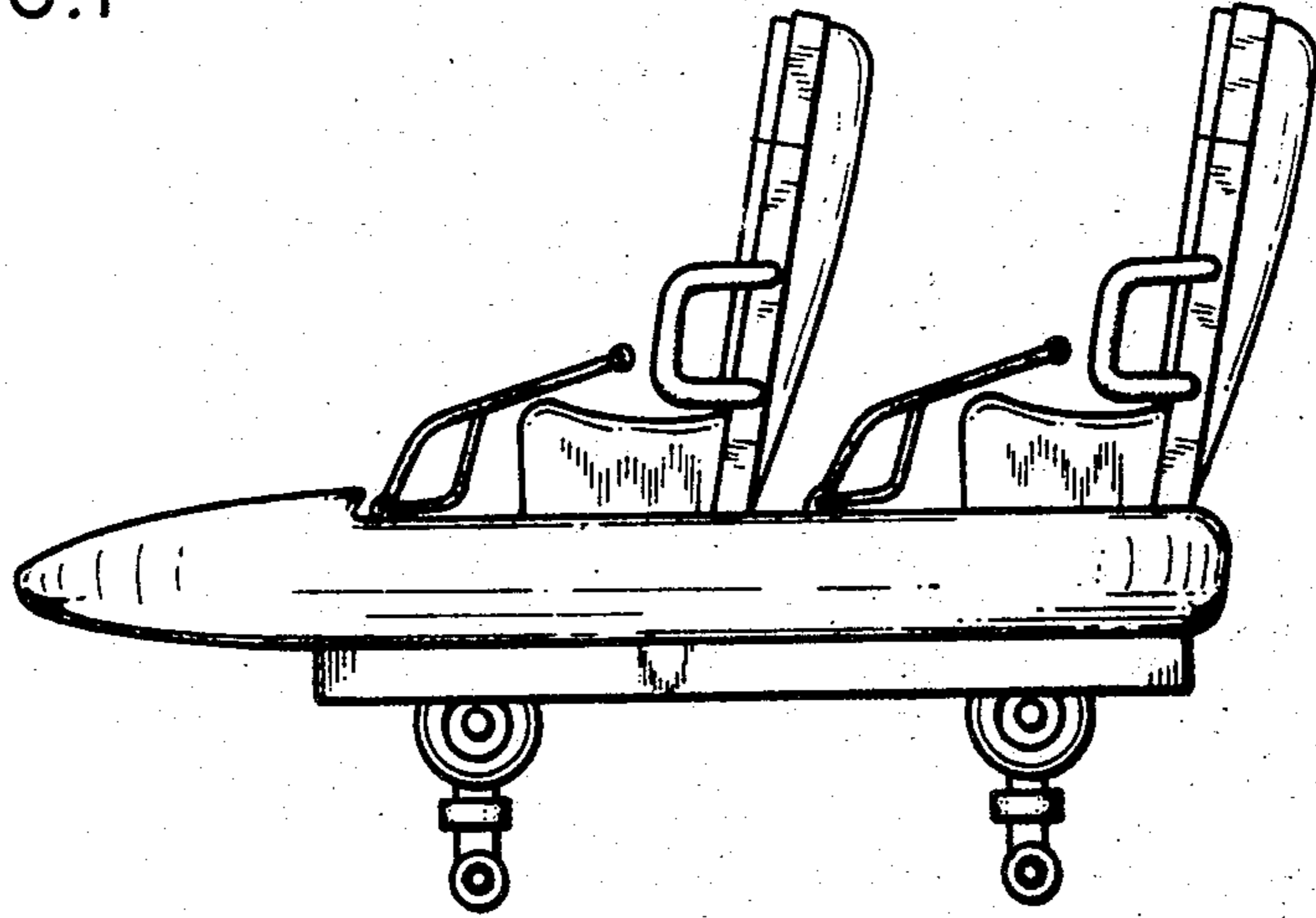


FIG.2

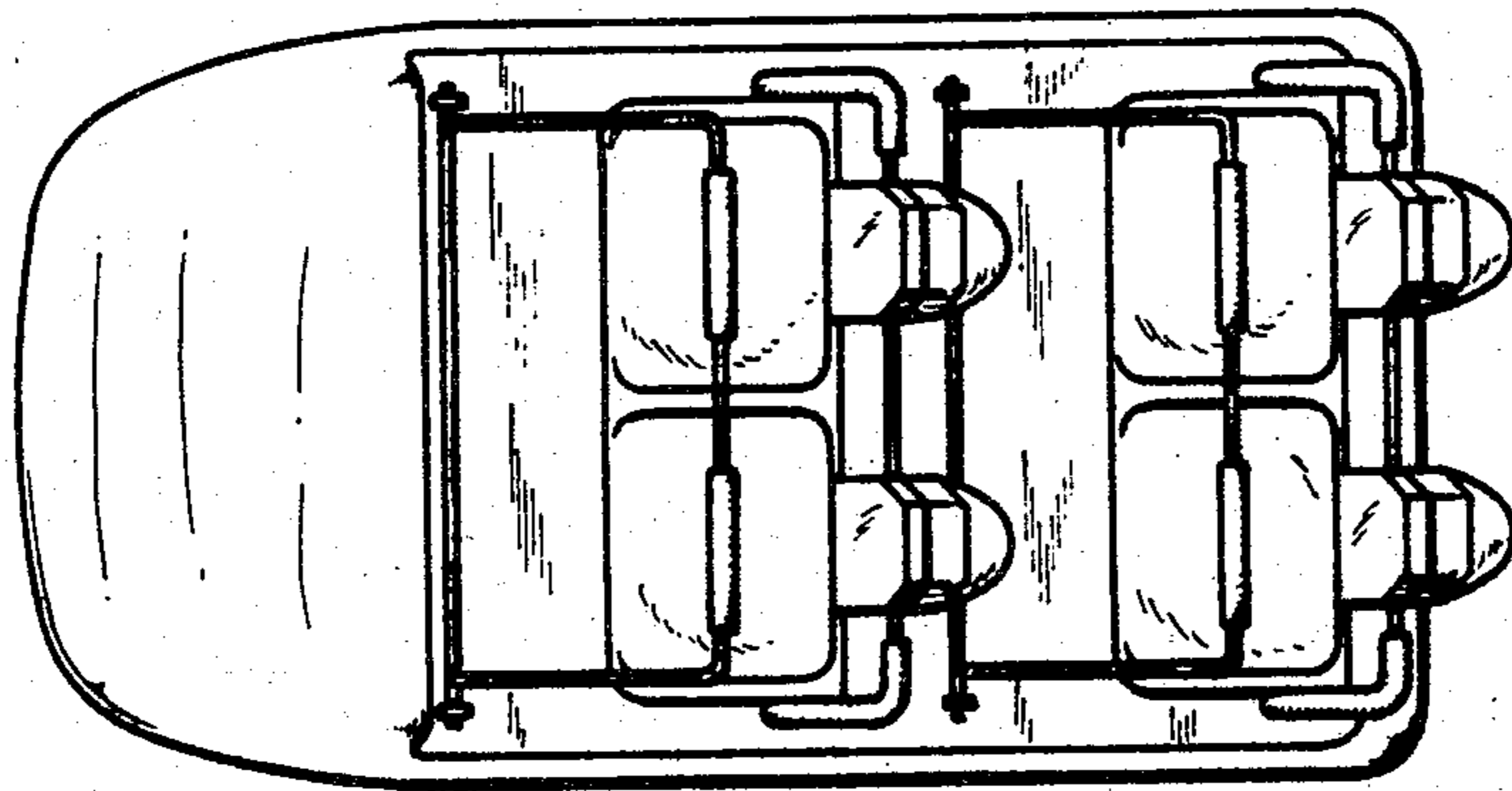


FIG.3

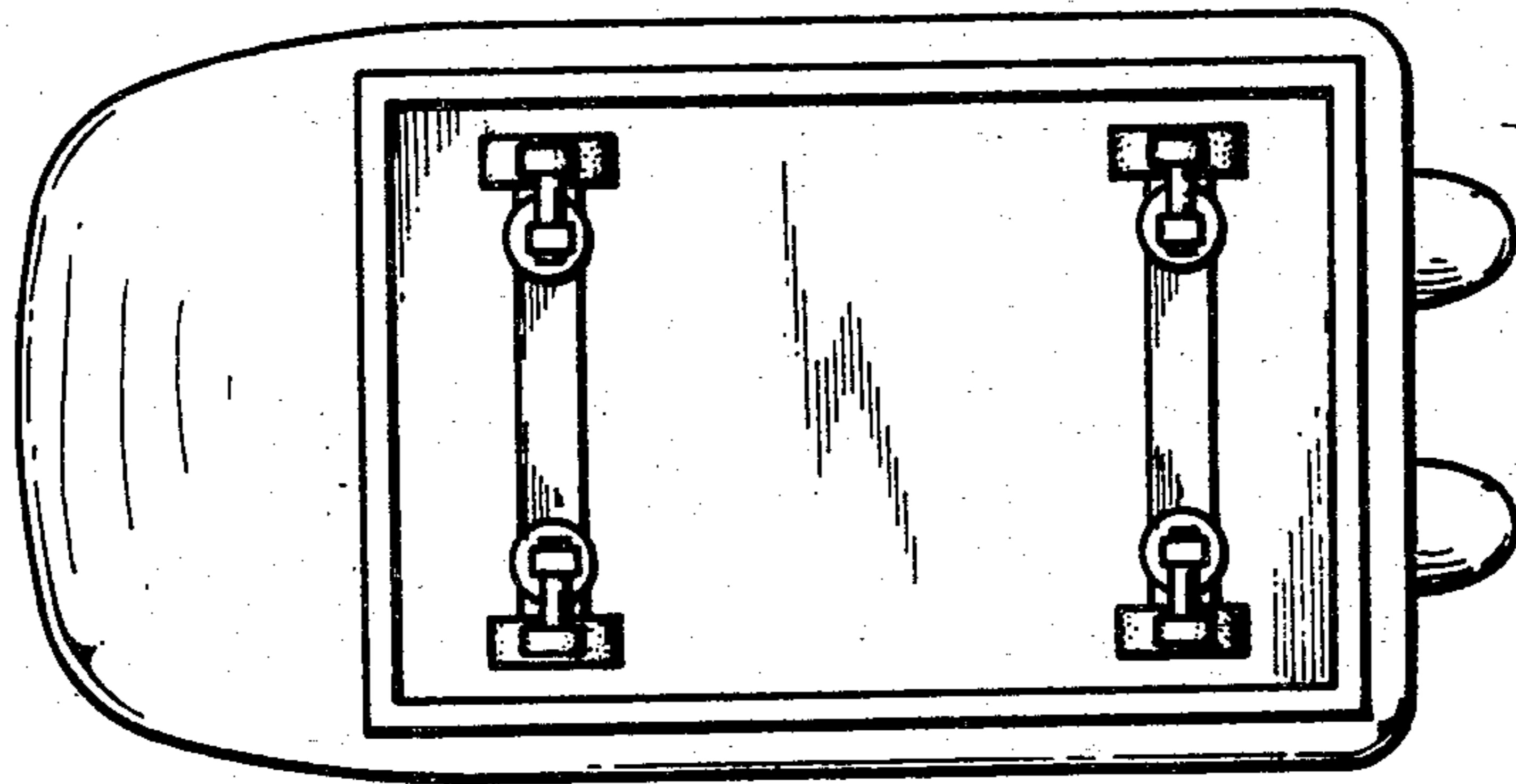


FIG. 4

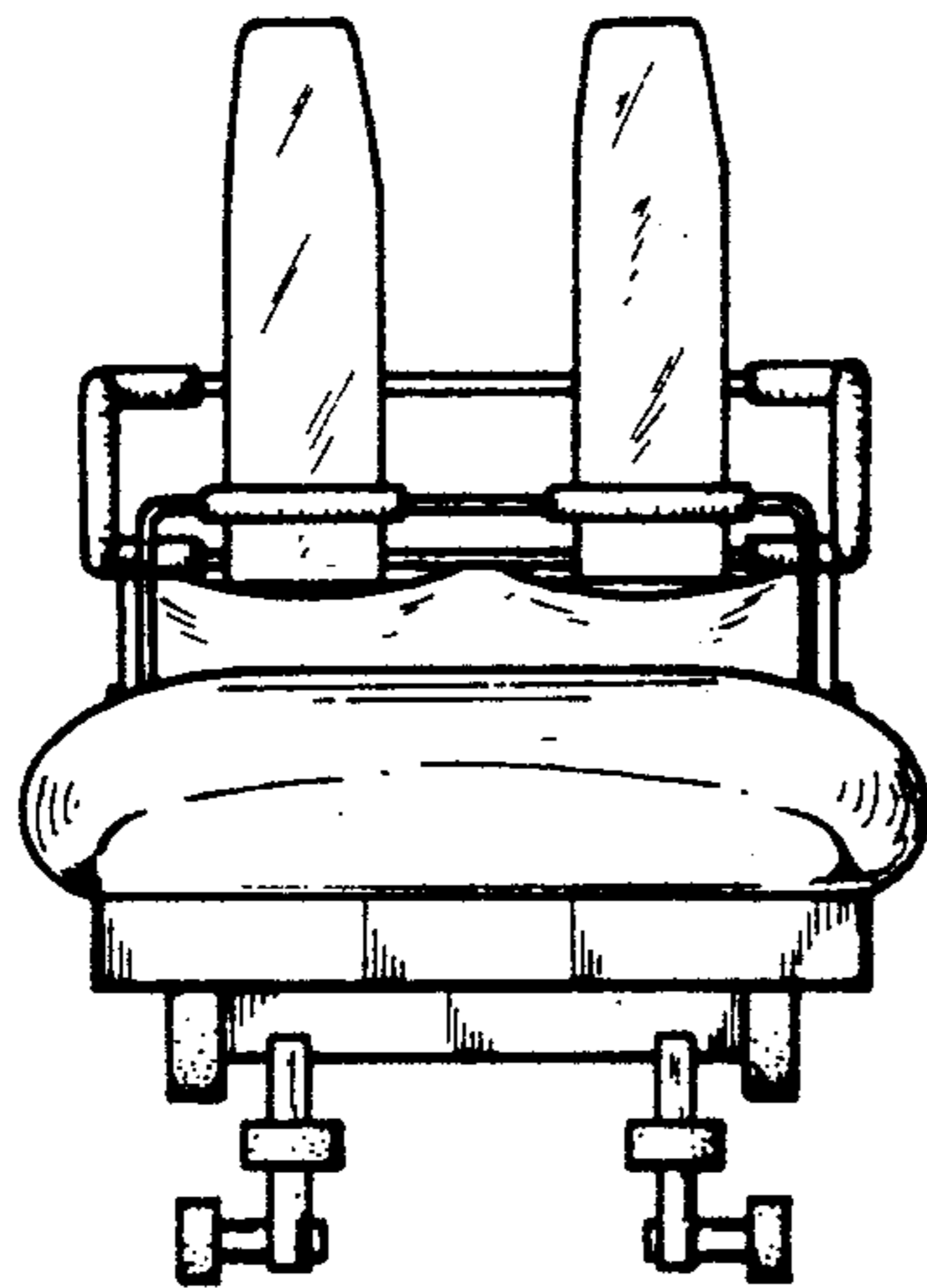


FIG. 5

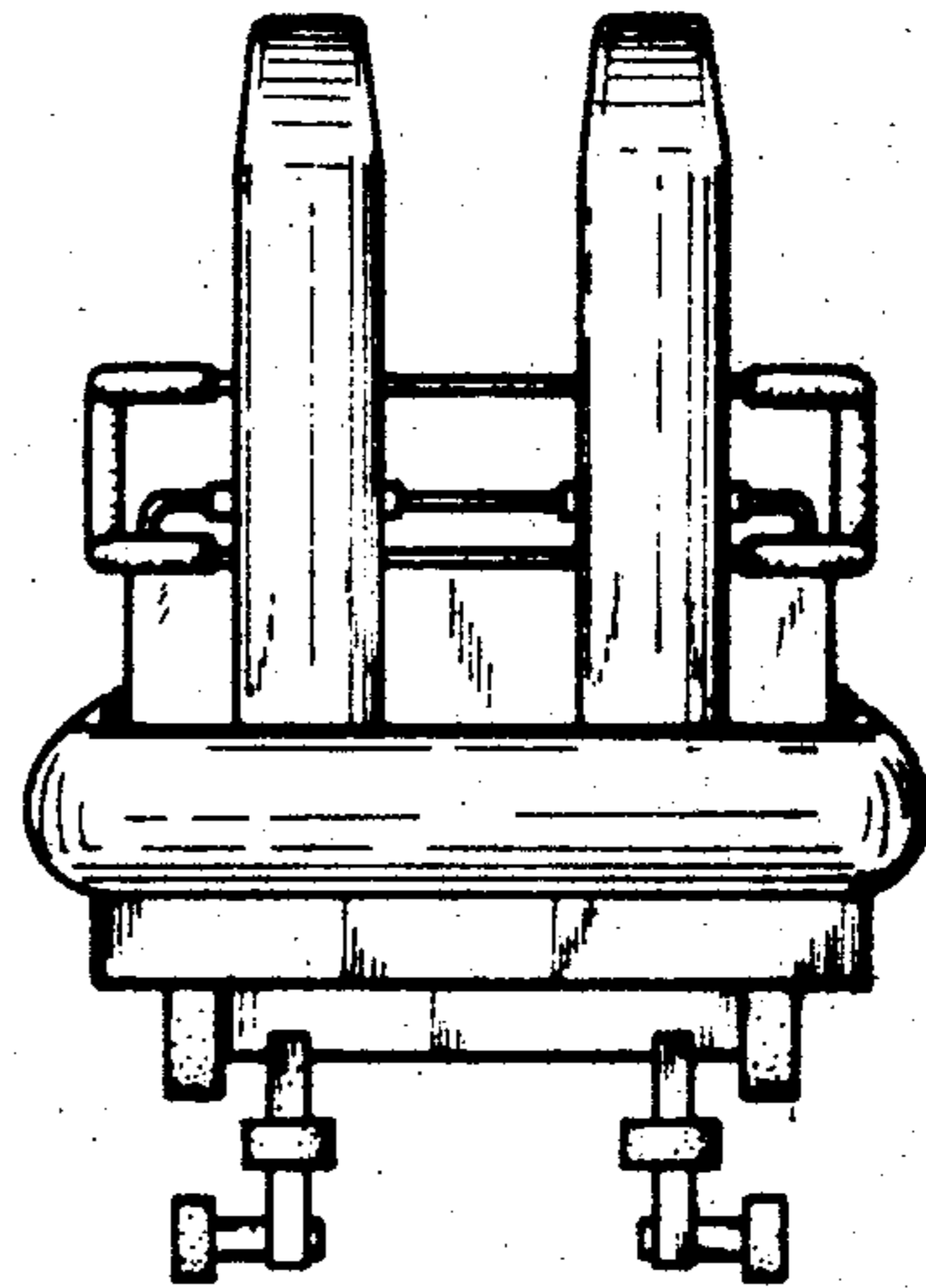


FIG. 6

