

[54] **FRAME FOR PHYSICAL EXERCISER**

[76] Inventor: **David L. Cardiff, Sr.**, P.O. Box 2554,  
Arnold, Calif. 95223

[\*\*] Term: **14 Years**

[21] Appl. No.: **614,983**

[22] Filed: **May 29, 1984**

[52] U.S. Cl. .... **D21/191**

[58] Field of Search ..... **D21/191-199;**  
272/67, 68, 69, 104, 117, 118, 119, 134, 133,  
141, 142, 143, 145, DIG. 9

[56] **References Cited**

**U.S. PATENT DOCUMENTS**

D. 239,399 3/1976 Clarke ..... D21/195  
3,558,130 1/1971 Anderson ..... 272/134

3,573,865 4/1971 Annas et al. .... 272/134

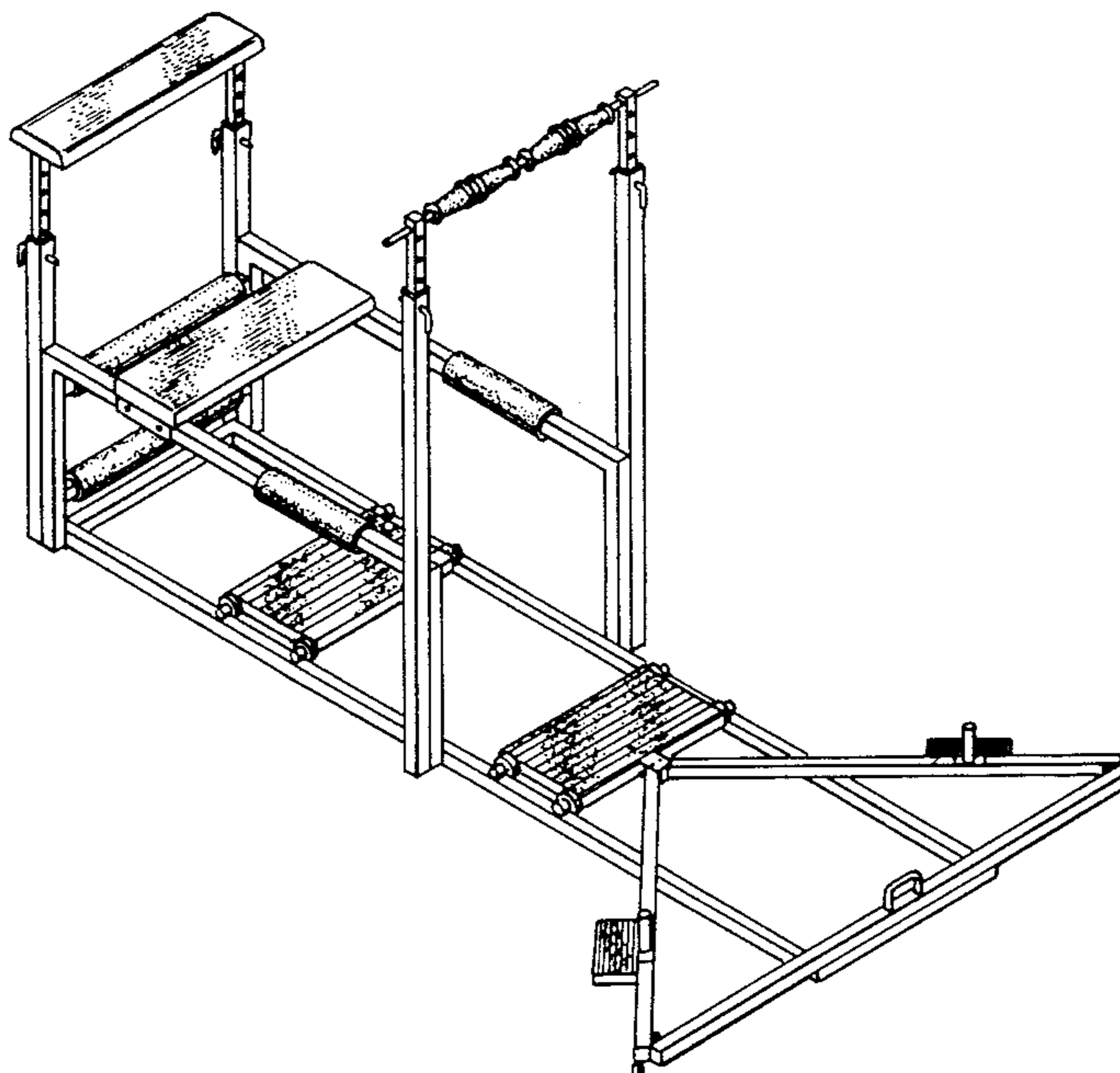
*Primary Examiner*—Charles A. Rademaker  
*Attorney, Agent, or Firm*—Thomas E. Schatzel

[57] **CLAIM**

The ornamental design for a frame for physical exerciser, as shown and described.

**DESCRIPTION**

FIG. 1 is a perspective view of a frame for physical exerciser showing my new design;  
FIG. 2 is a left side elevational view thereof and a mirror image of a right side view;  
FIG. 3 is a front elevational view thereof;  
FIG. 4 is a rear elevational view thereof;  
FIG. 5 is a top view thereof; and,  
FIG. 6 is a bottom plan view thereof.



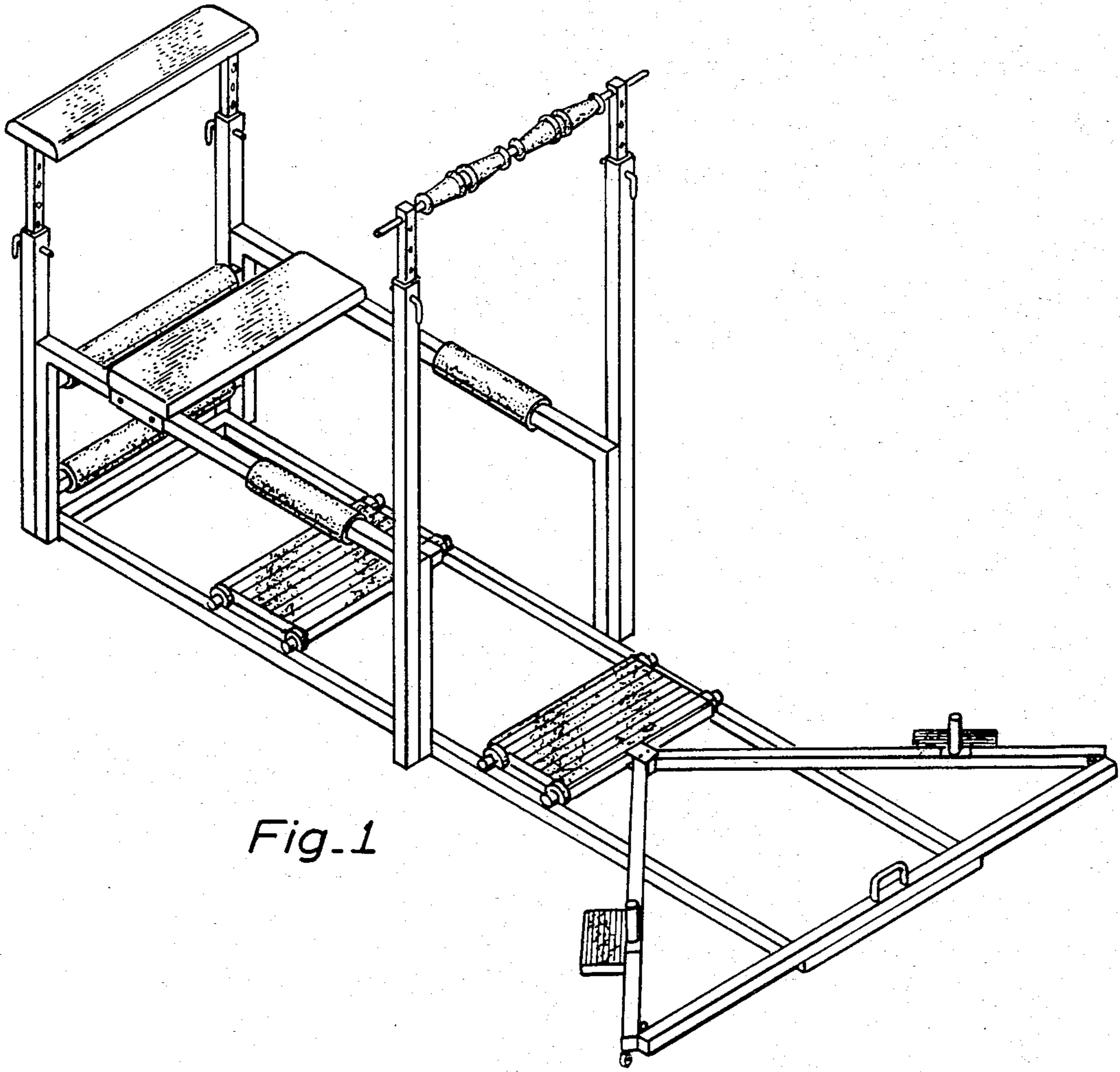


Fig-1

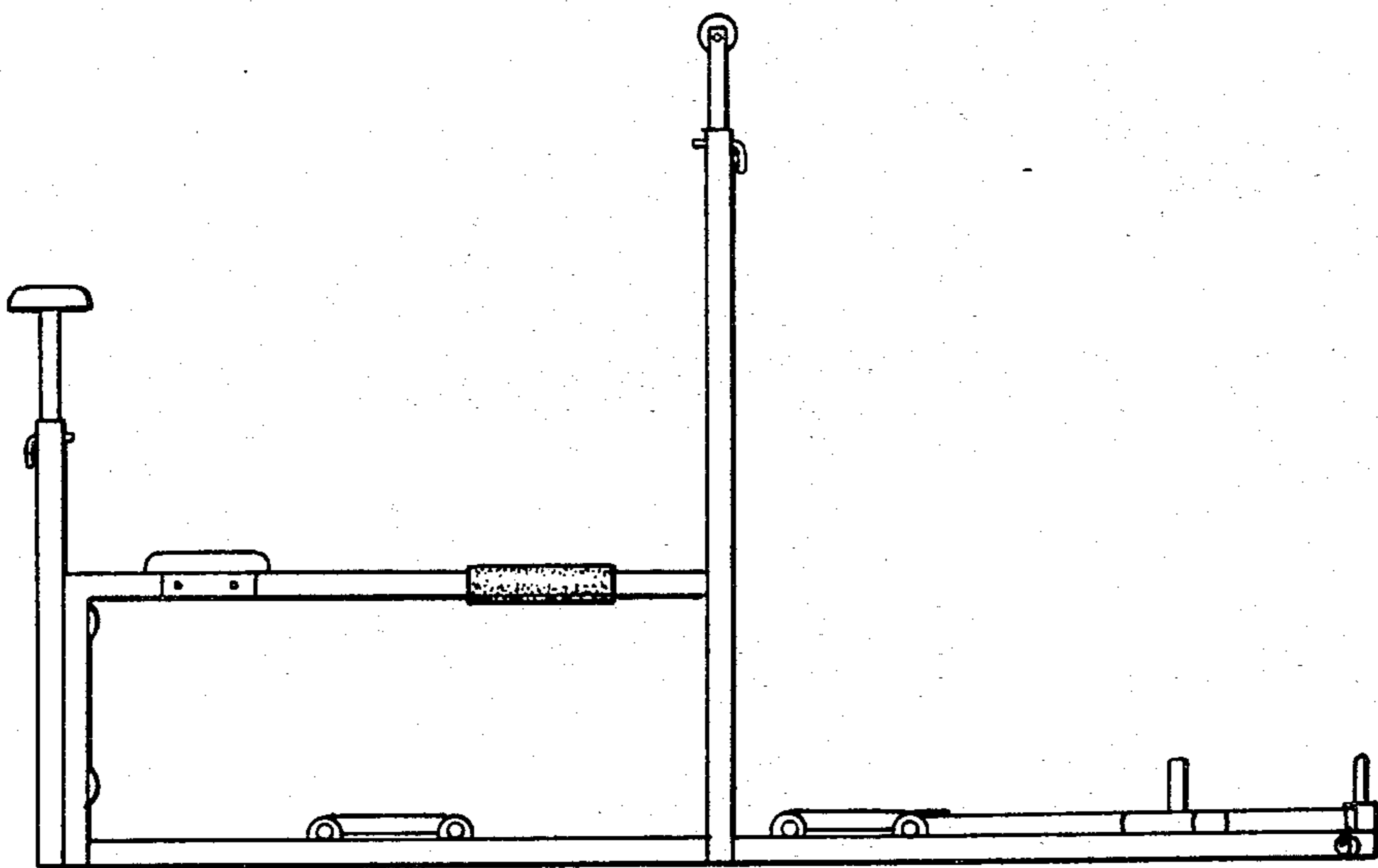


Fig-2

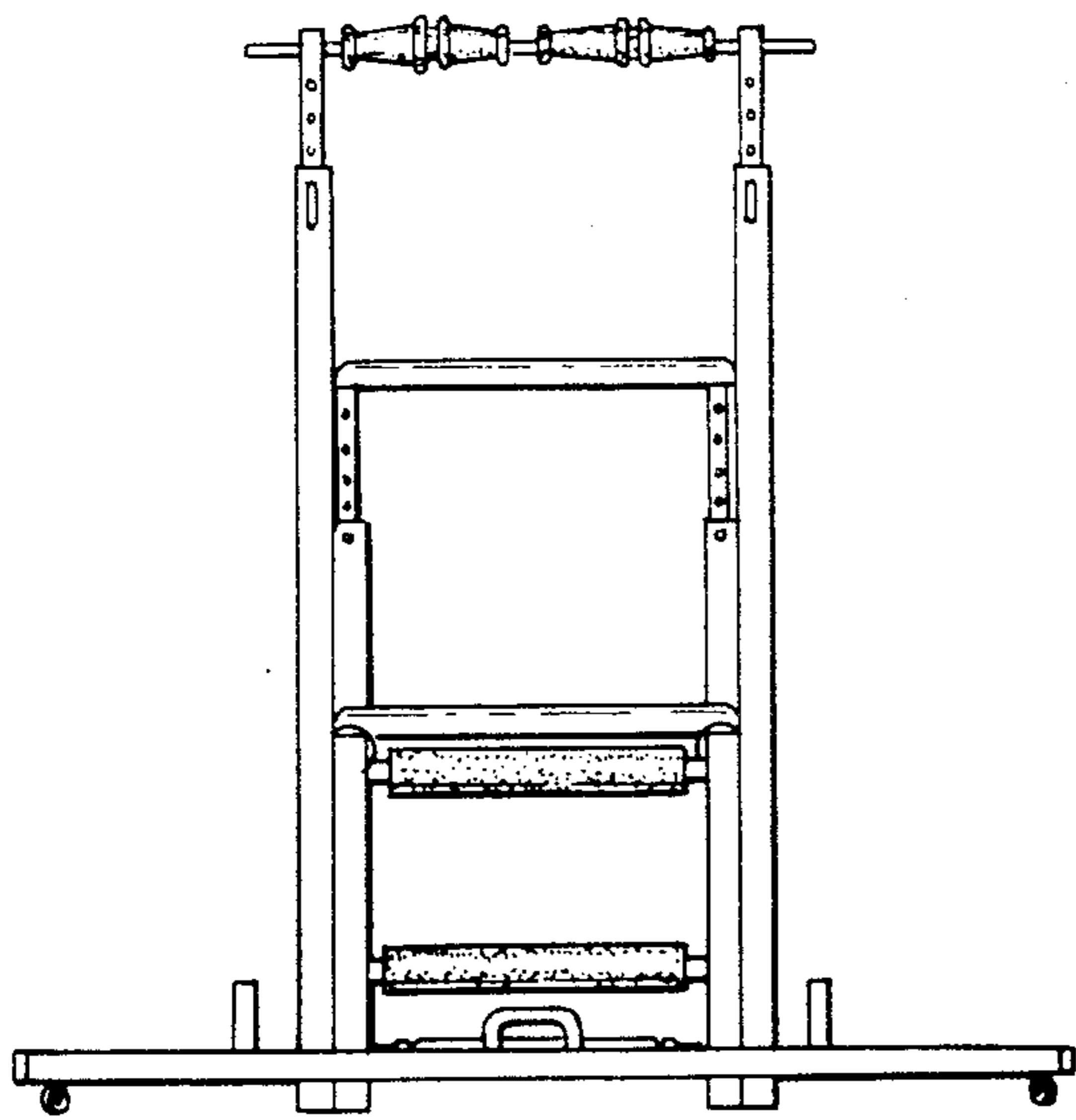


Fig. 3

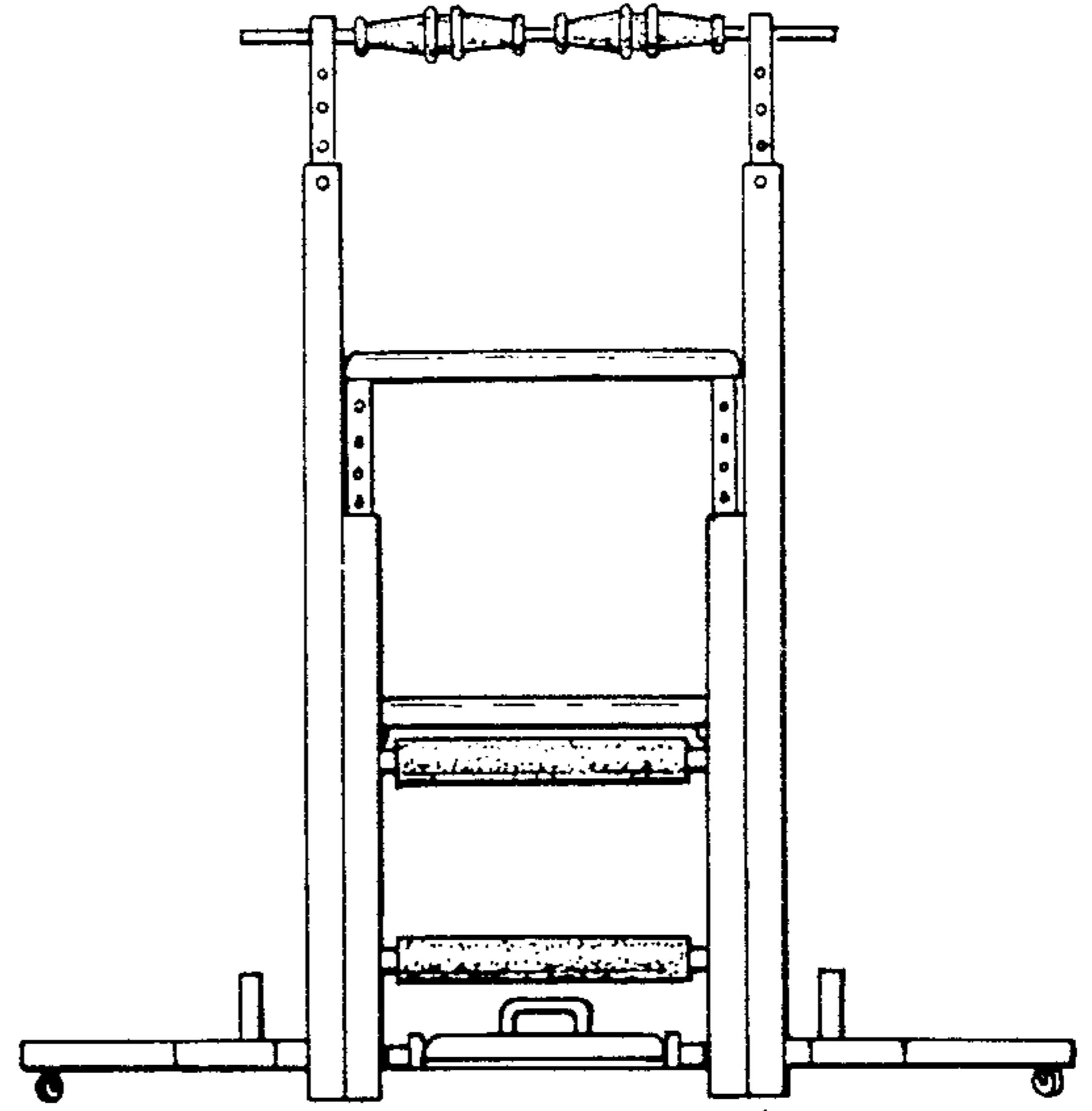


Fig. 4

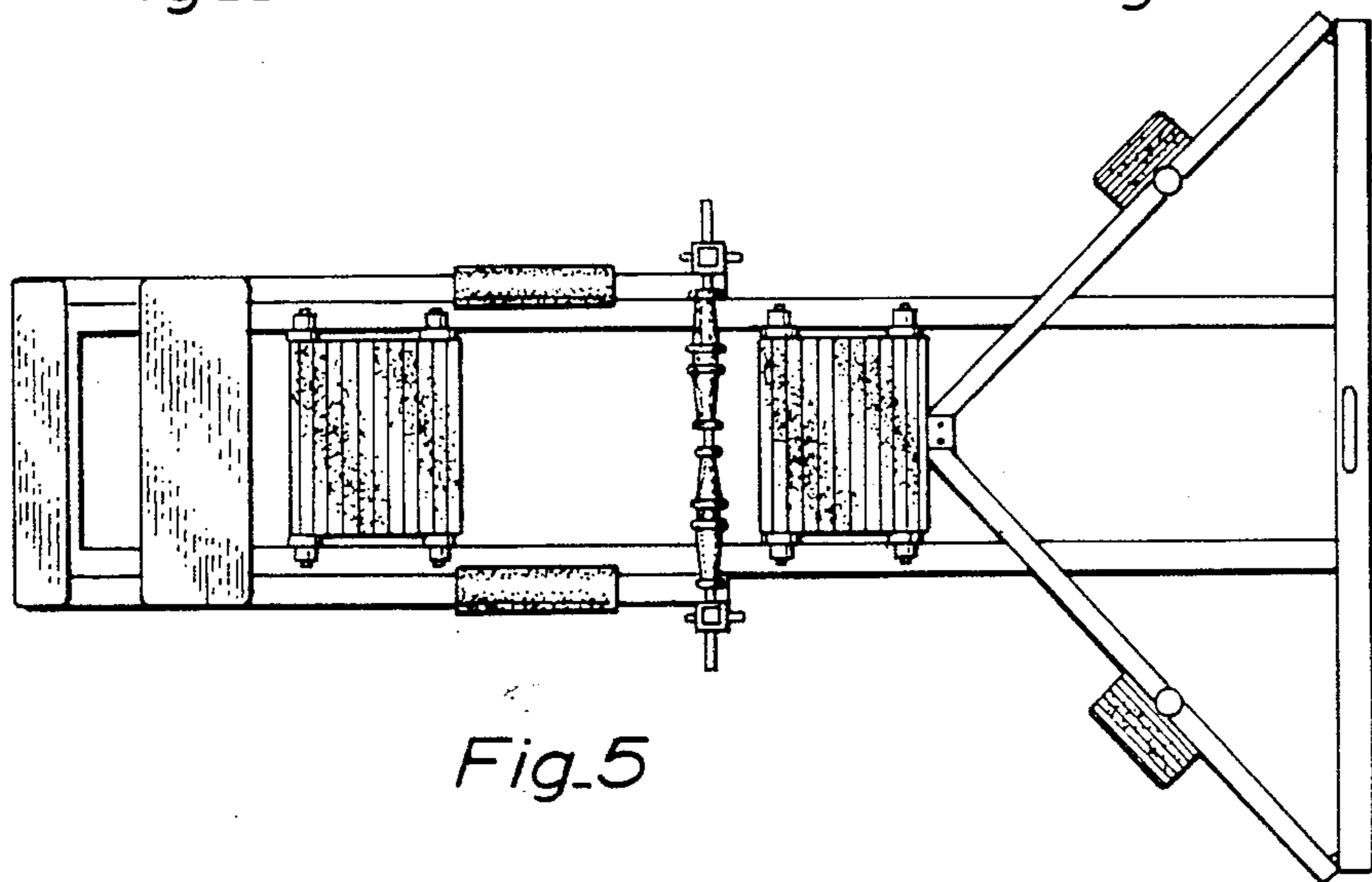


Fig. 5

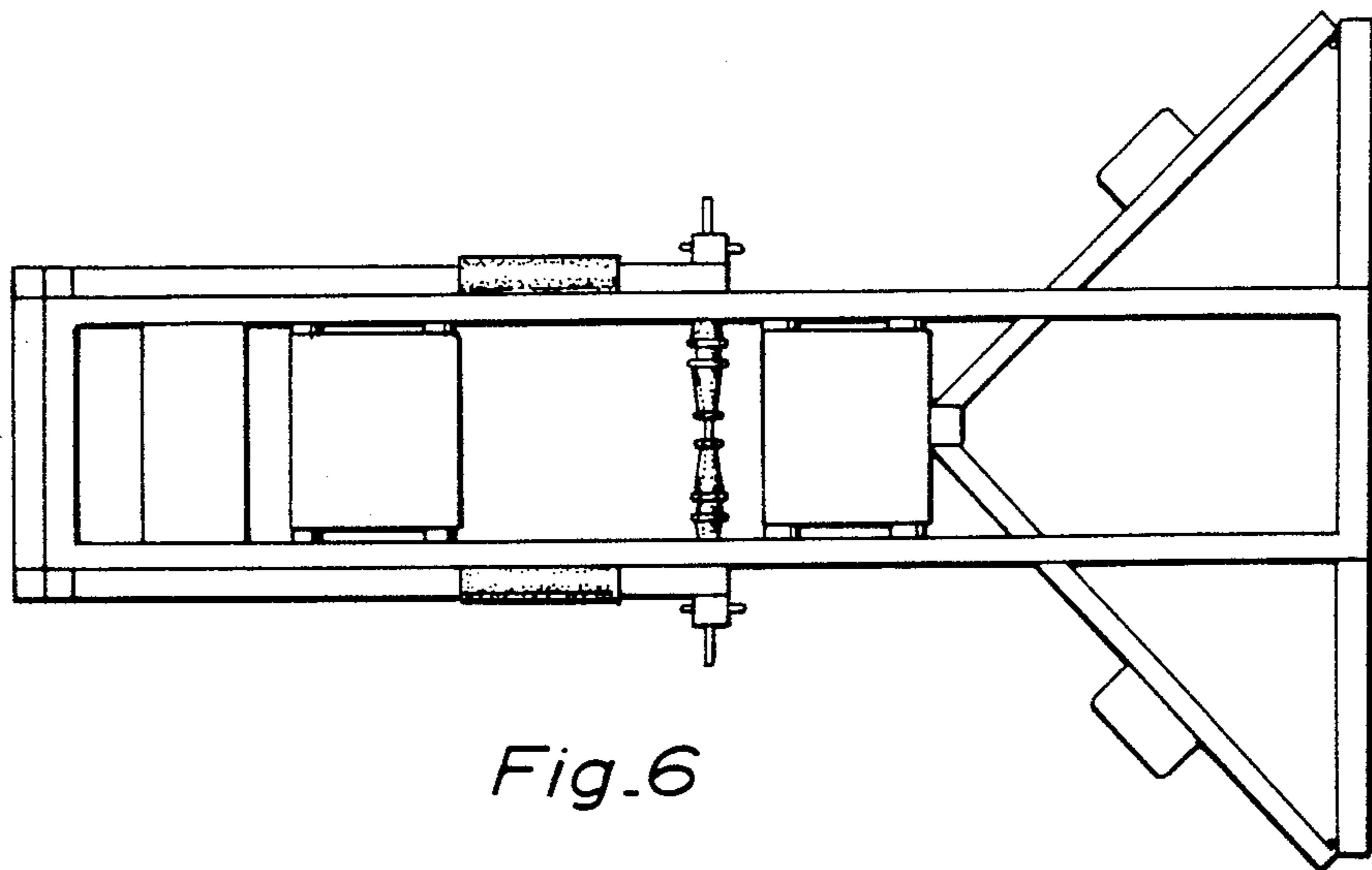


Fig. 6