

United States Patent [19]

Yano

[11] Patent Number: **Des. 285,327**

[45] Date of Patent: **** Aug. 26, 1986**

[54] **TOY GUN**

[75] Inventor: **Hiroshi Yano, Moriguchi, Japan**

[73] Assignee: **Sekiden Kaihatsu Shoji Kabushiki Kaisha, Moriguchi, Japan**

[**] Term: **14 Years**

[21] Appl. No.: **629,075**

[22] Filed: **Jul. 9, 1984**

[30] **Foreign Application Priority Data**

Jan. 7, 1984 [JP] Japan 59-125

[52] U.S. Cl. **D21/147**

[58] Field of Search D21/145, 146, 147;
D8/68; D22/6; 42/54, 58; 124/56; 446/473

[56] **References Cited**

U.S. PATENT DOCUMENTS

D. 163,243 5/1951 Beckett et al. D21/146

D. 207,172 3/1967 Ryan et al. D21/147
D. 208,558 9/1967 Campbell D21/147
2,055,900 9/1936 Lefever D21/147
3,209,741 10/1965 Yano D21/147

Primary Examiner—Charles A. Rademaker
Attorney, Agent, or Firm—Wenderoth, Lind & Ponack

[57] **CLAIM**

The ornamental design for a toy gun, substantially as shown described.

DESCRIPTION

FIG. 1 is a side elevational view of a toy gun showing the new design, the side opposite being a mirror image; FIG. 2 is a top plan view thereof; FIG. 3 is a bottom plan view thereof; FIG. 4 is a front elevational view thereof; FIG. 5 is a rear elevational view thereof; and FIG. 6 is a side elevational view similar to FIG. 1 showing the parts in a different operative position.

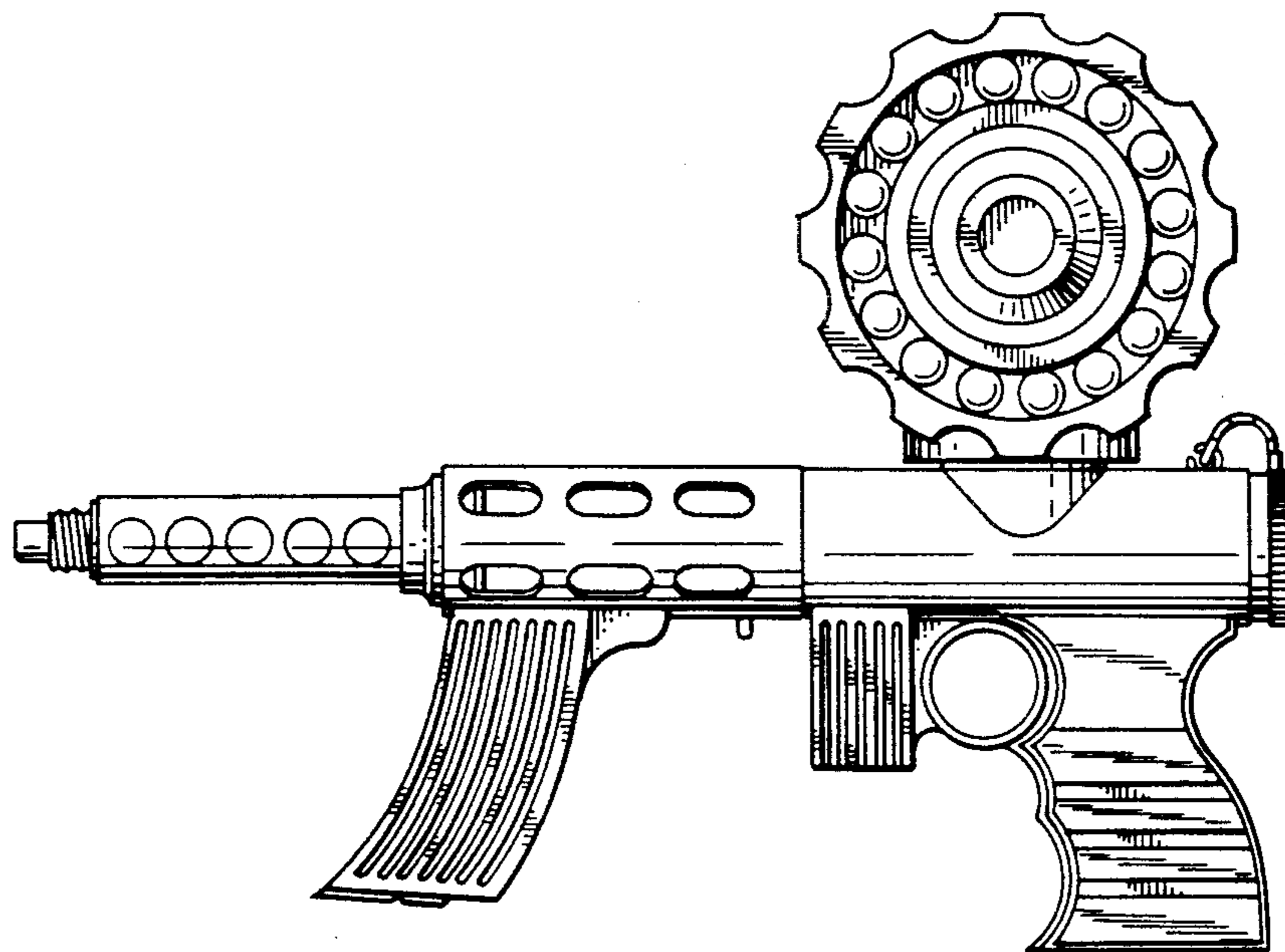


FIG. 1.

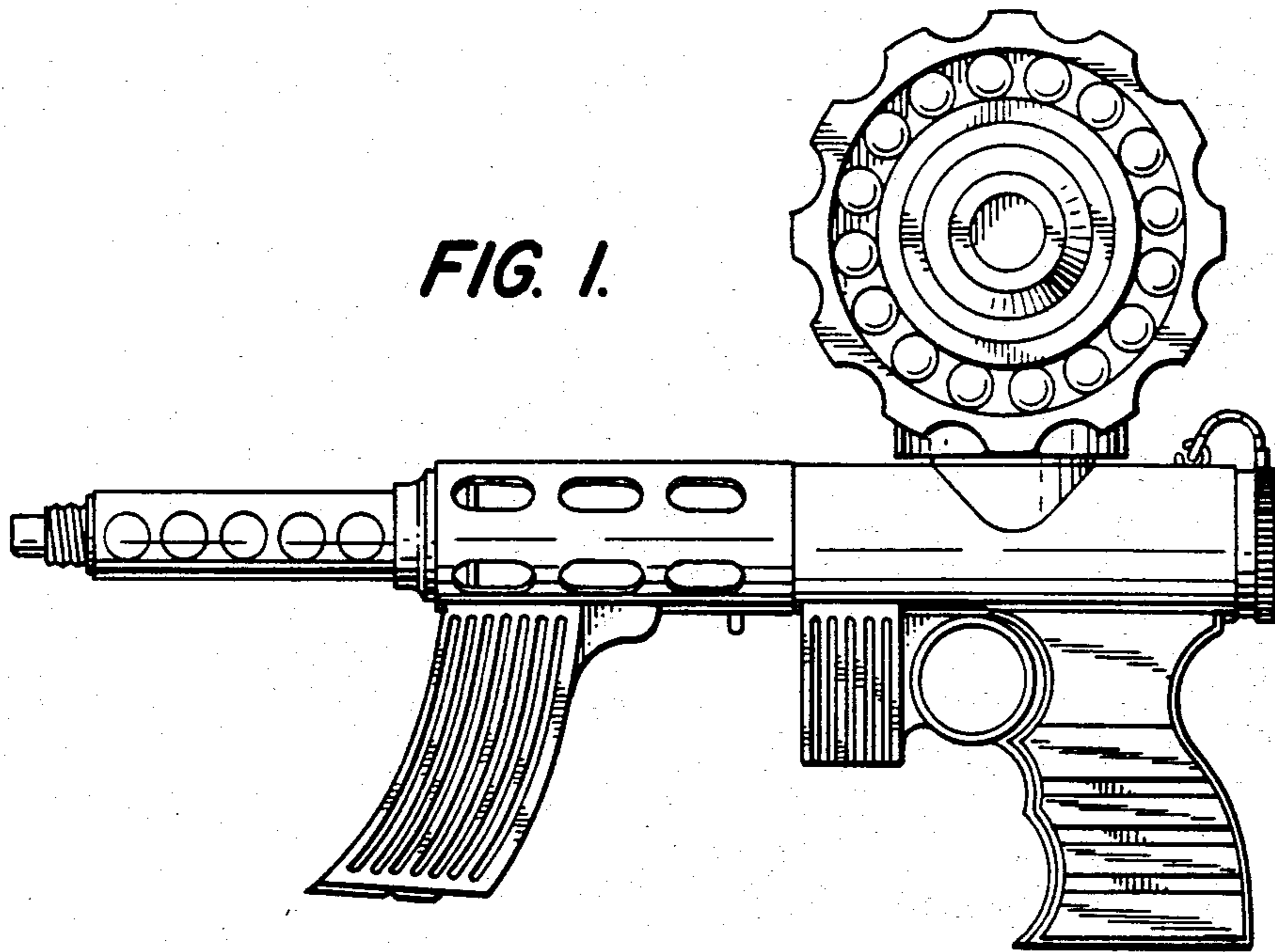


FIG. 2.

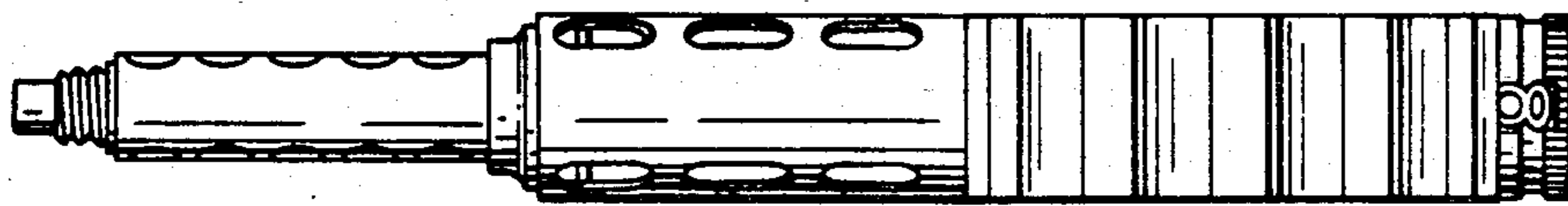


FIG. 4.

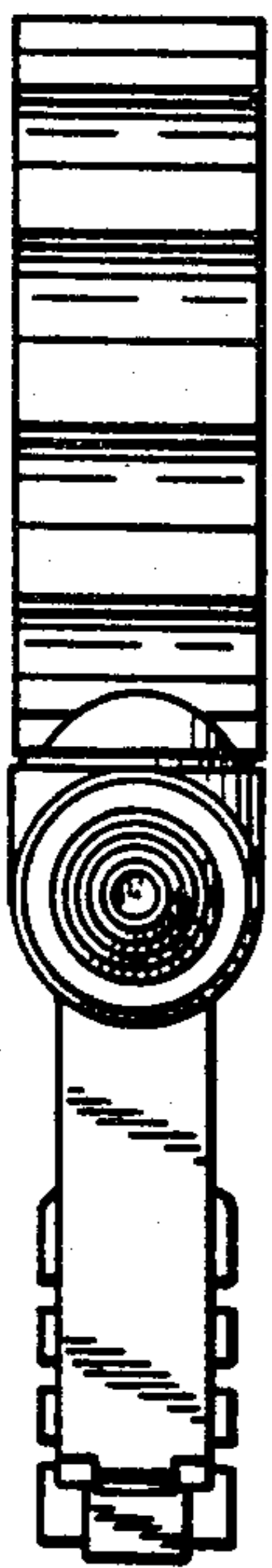


FIG. 5.



FIG. 3.

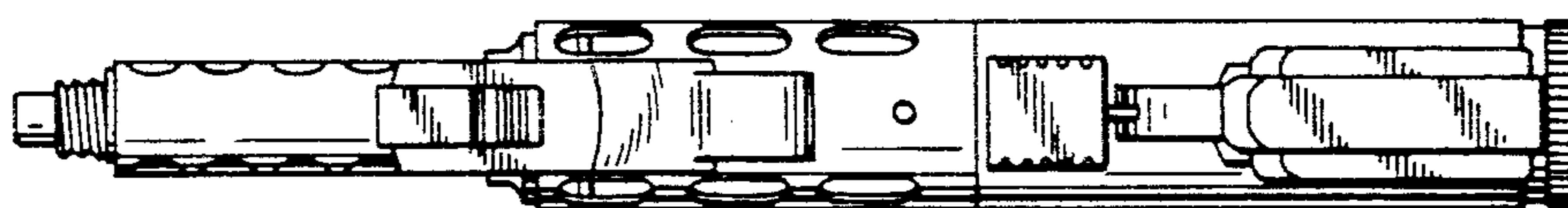


FIG. 6.

