

[54] TOY CONSTRUCTION PIECE SIMULATING A SLIDE

[75] Inventor: Ib H. Berggreen, Vedbaek, Denmark

[73] Assignee: Interlego A.G., Baar, Switzerland

[**] Term: 14 Years

[21] Appl. No.: 676,672

[22] Filed: Nov. 30, 1984

[52] U.S. Cl. D21/108; D21/124

[58] Field of Search D21/108, 124; 446/85, 446/88, 89, 103, 105, 107, 120, 121, 122, 124, 125, 128

[56] References Cited

U.S. PATENT DOCUMENTS

D. 176,486	12/1955	Ruth	D21/124
D. 280,431	9/1985	Tapdrup et al.	D21/108
1,260,664	3/1918	Gregory	D21/124

OTHER PUBLICATIONS

Education Station Catalog, p. 13, Item B, Construction Toy.

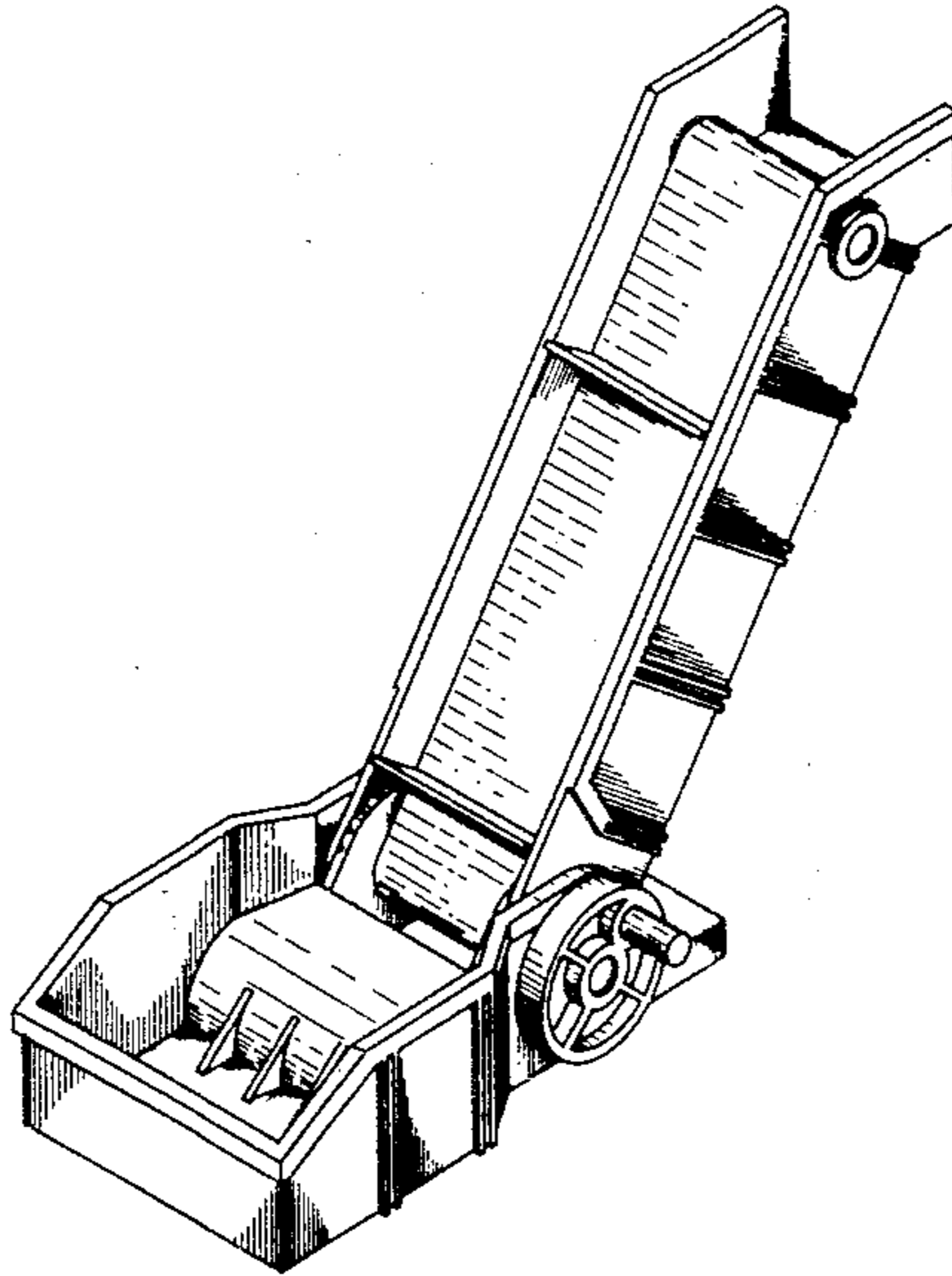
Primary Examiner—Charles A. Rademaker
Attorney, Agent, or Firm—Kane, Dalsimer, Kane, Sullivan and Kurucz

[57] CLAIM

The ornamental design for a toy construction piece simulating a slide, as shown and described.

DESCRIPTION

FIG. 1 is a top perspective view of a toy construction piece simulating a slide showing my new design; FIG. 2 is a rear elevational view thereof; FIG. 3 is a front elevational view thereof; FIG. 4 is a left elevational view thereof; FIG. 5 is a right side view thereof; FIG. 6 is a top plan view thereof; FIG. 7 is a bottom plan view thereof.



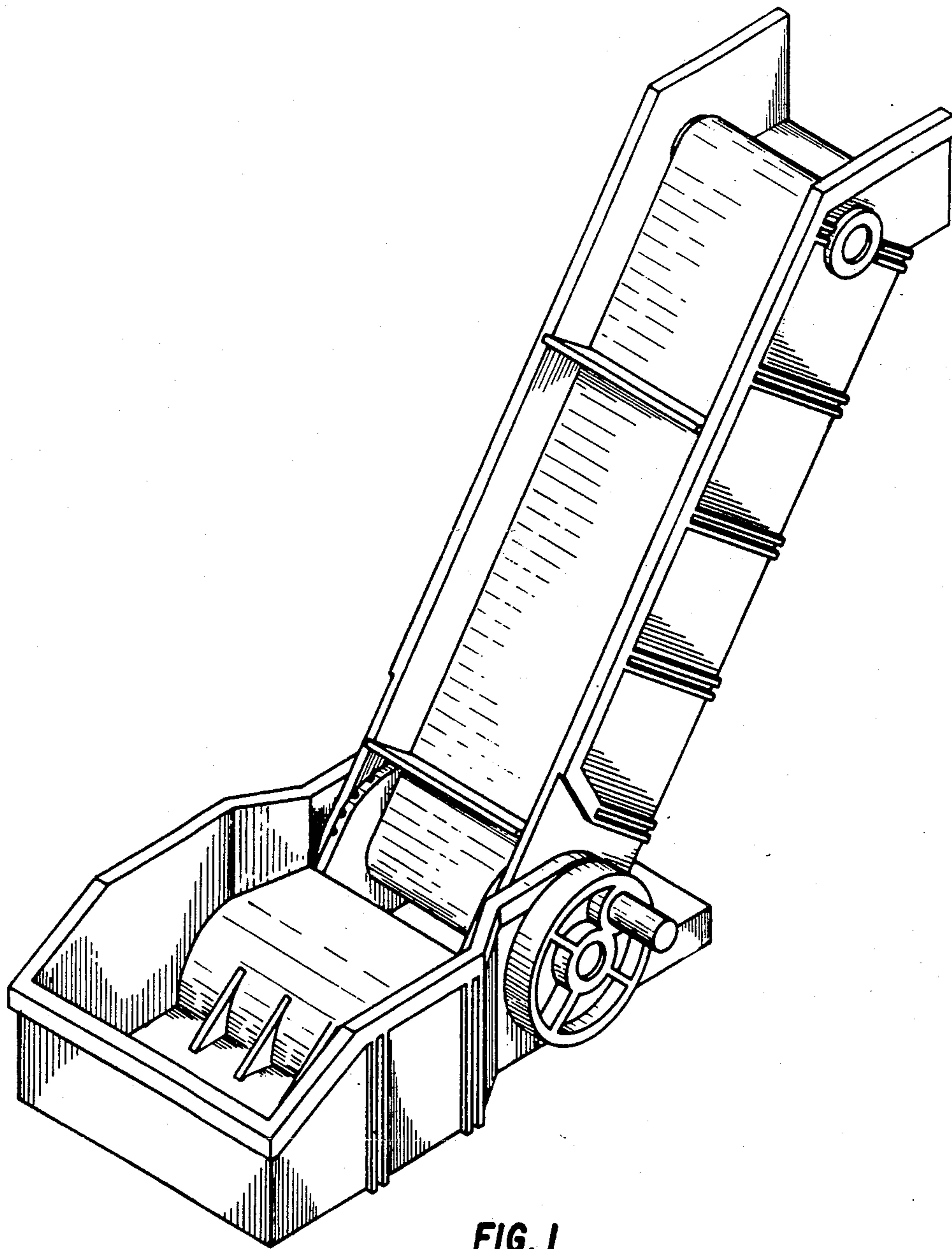


FIG. 1

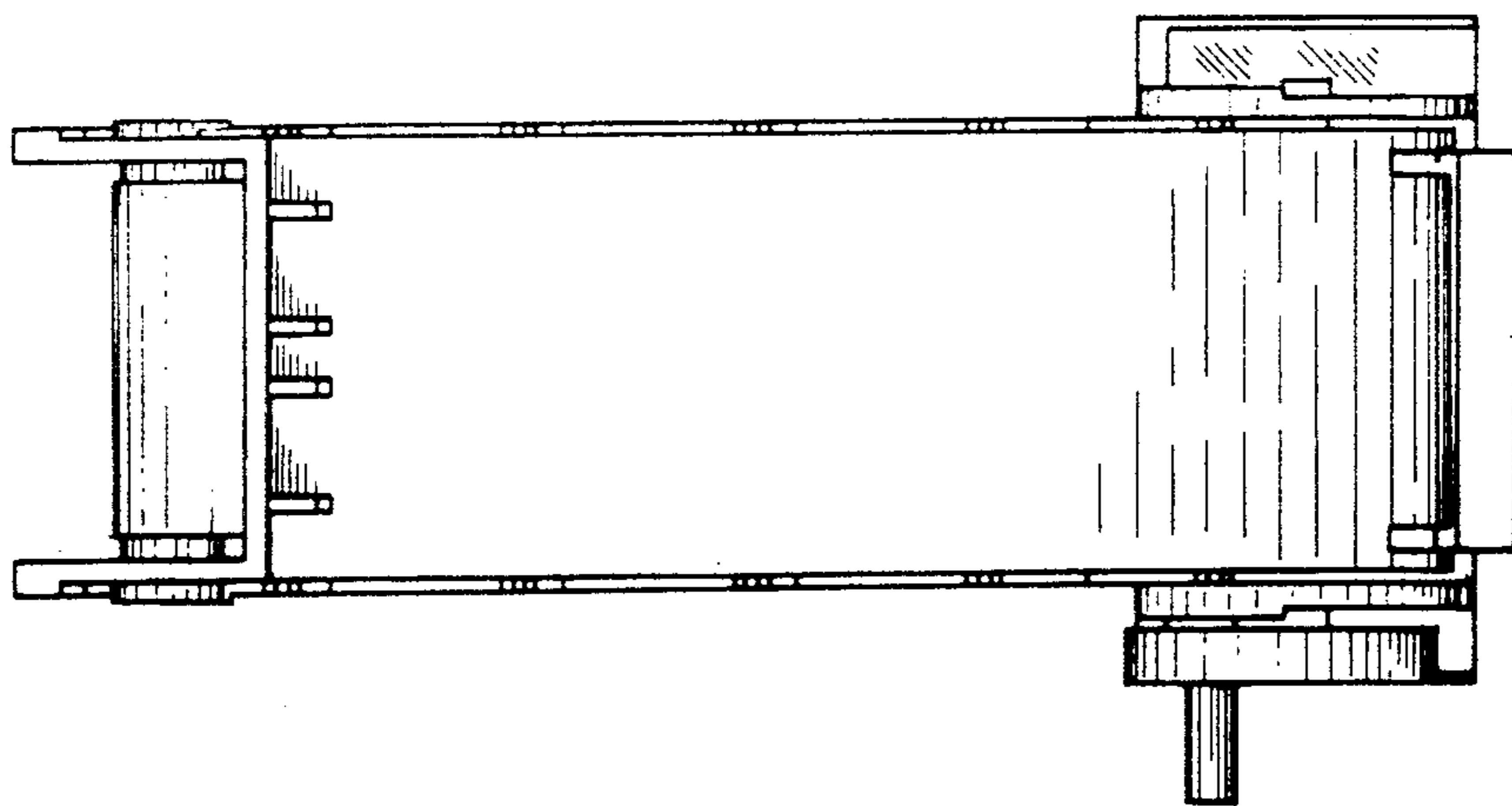


FIG. 2

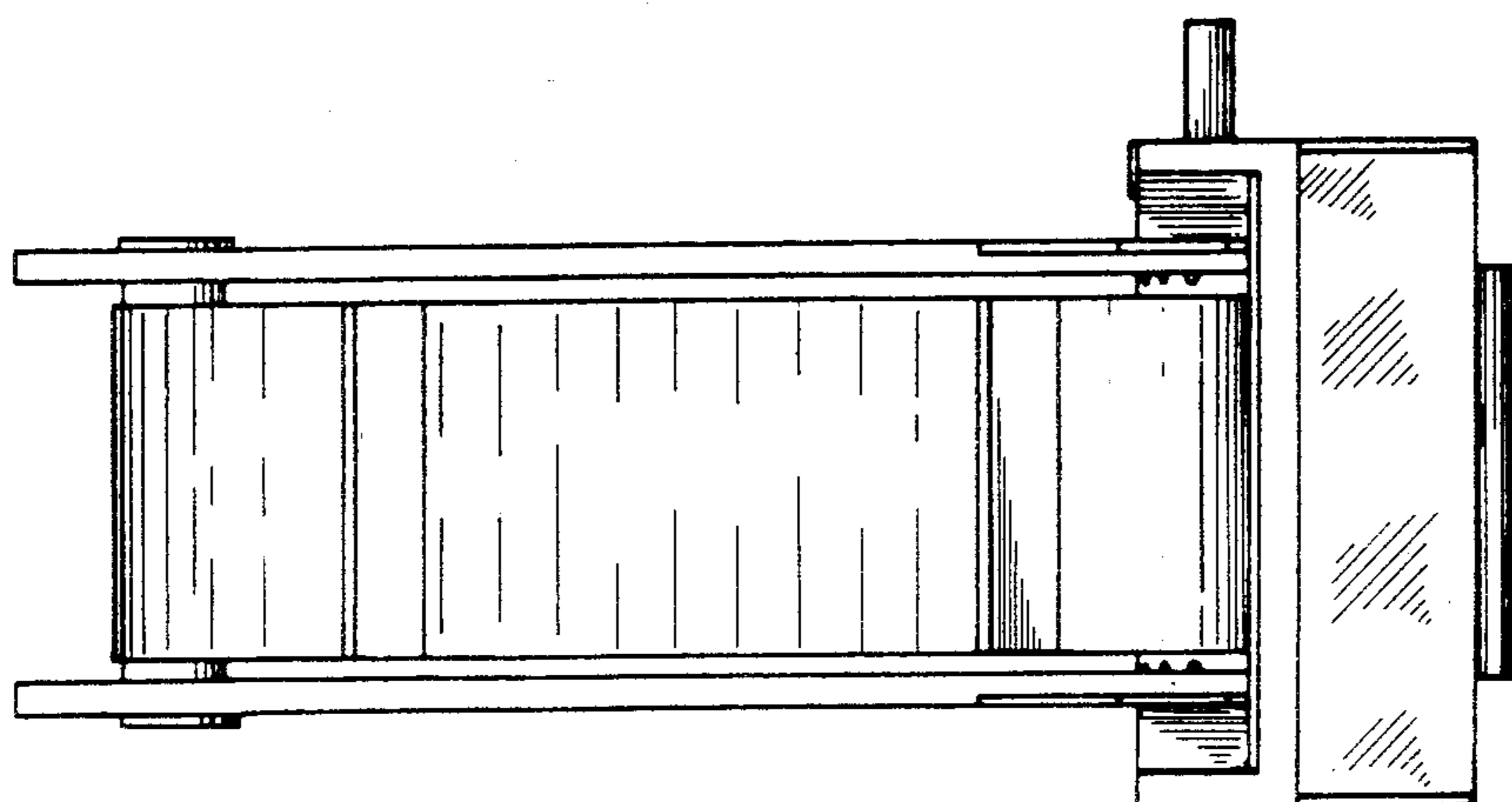


FIG. 3

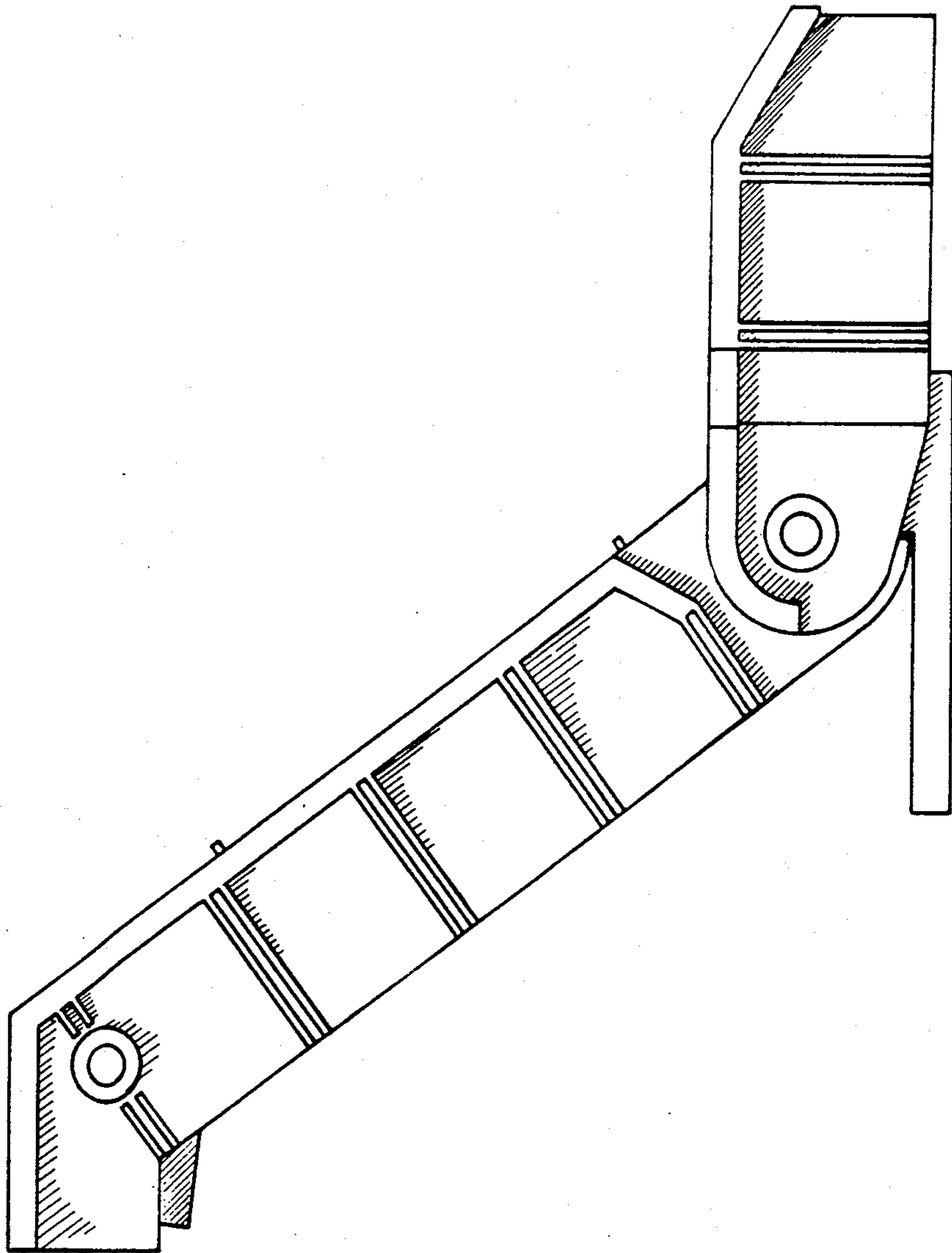


FIG. 4

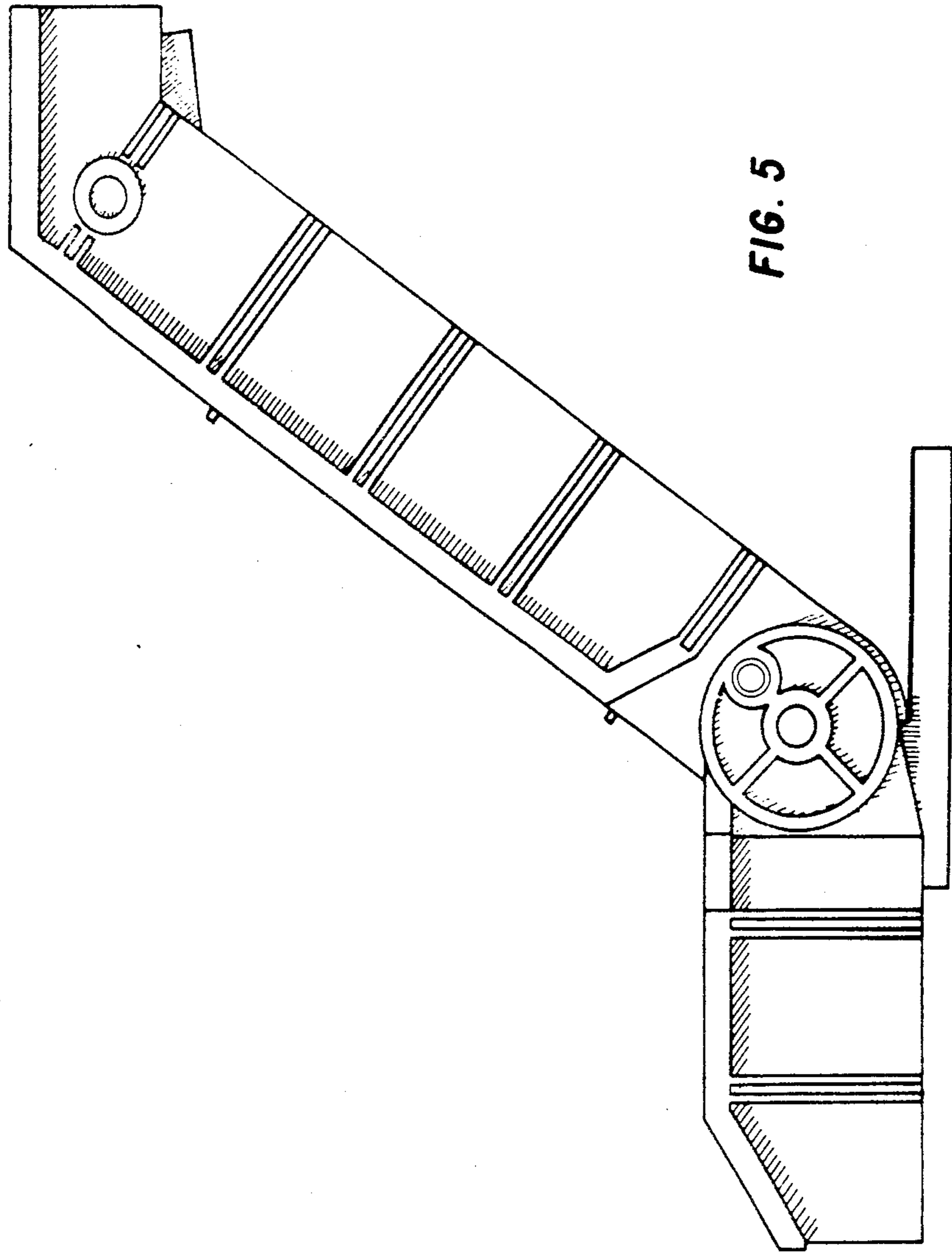


FIG. 5

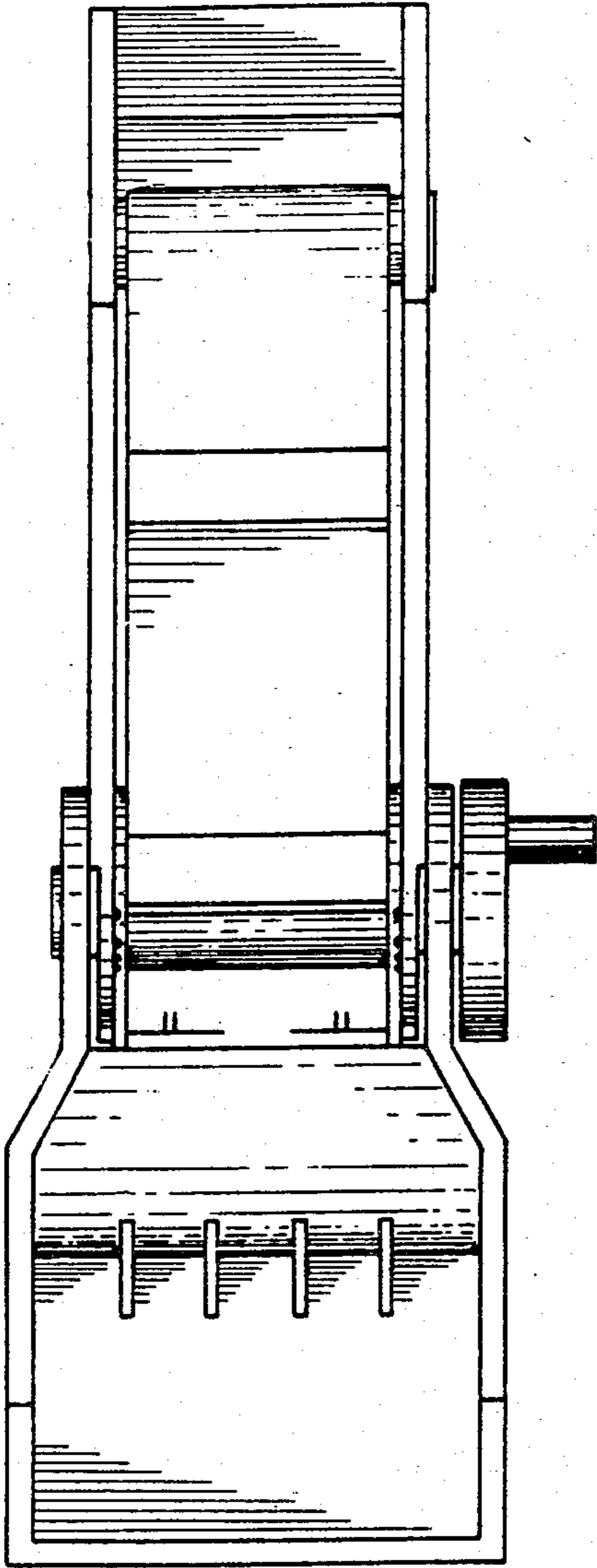


FIG. 6

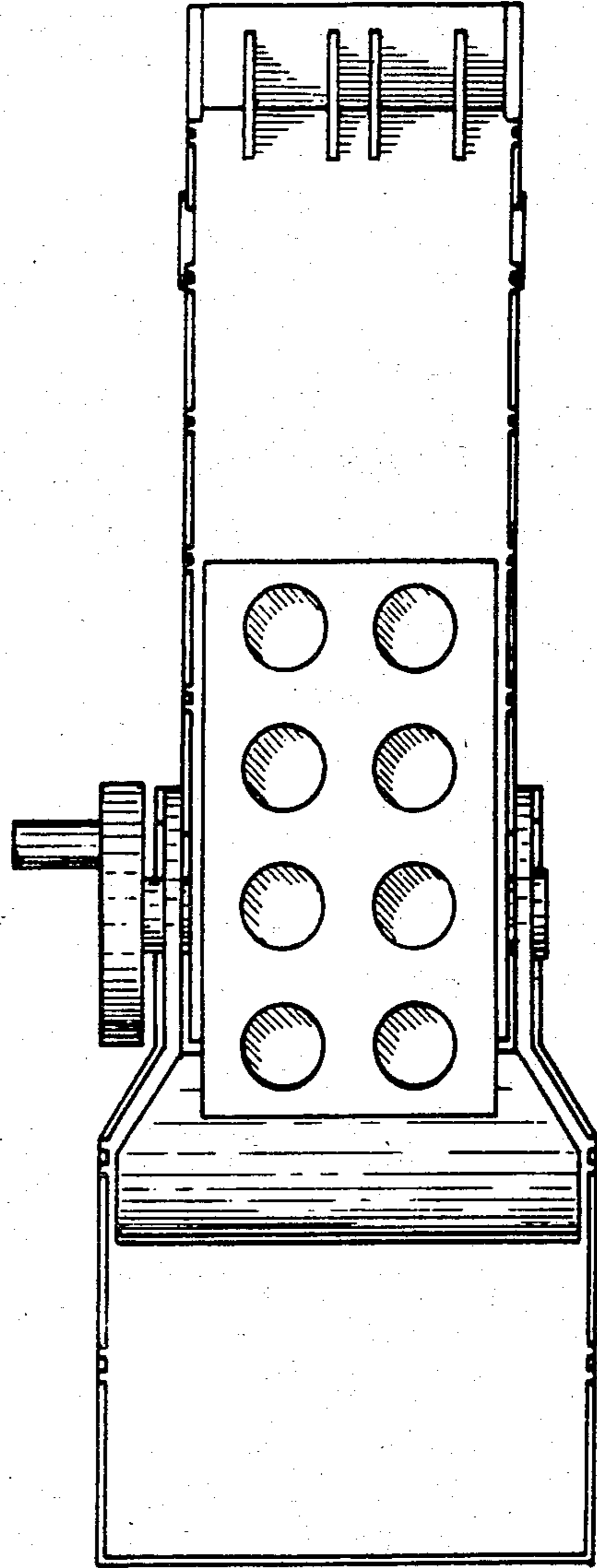


FIG. 7