

# United States Patent [19]

Barker

[11] Patent Number: **Des. 285,324**

[45] Date of Patent: **\*\* Aug. 26, 1986**

[54] **TOY GLIDER**

[75] Inventor: **Thomas G. Barker**, Wakefield, Mass.

[73] Assignee: **Paul K. Guillow, Inc.**, Wakefield, Mass.

[\*\*] Term: **14 Years**

[21] Appl. No.: **588,248**

[22] Filed: **Mar. 12, 1984**

[52] U.S. Cl. .... **D21/89**

[58] Field of Search ..... D21/82, 85, 86, 87,  
D21/88, 89; 244/153 R, 153 A, 154; D12/319,  
321, 333

[56] **References Cited**

### U.S. PATENT DOCUMENTS

D. 198,038 4/1964 Huston ..... D21/87

D. 279,914 7/1985 Solomon ..... D21/88  
D. 280,221 8/1985 Hoge ..... D21/89  
4,216,929 8/1980 Holland ..... 244/153 R

*Primary Examiner*—Charles A. Rademaker  
*Attorney, Agent, or Firm*—Watson, Cole, Grindle & Watson

### [57] CLAIM

The ornamental design for a toy glider, as shown and described.

### DESCRIPTION

FIG. 1 is a top plan view of a toy glider showing my new design,  
FIG. 2 is a bottom plan view thereof,  
FIG. 3 is a side elevational view thereof,  
FIG. 4 is a front elevational view thereof, and  
FIG. 5 is a rear elevational view thereof.

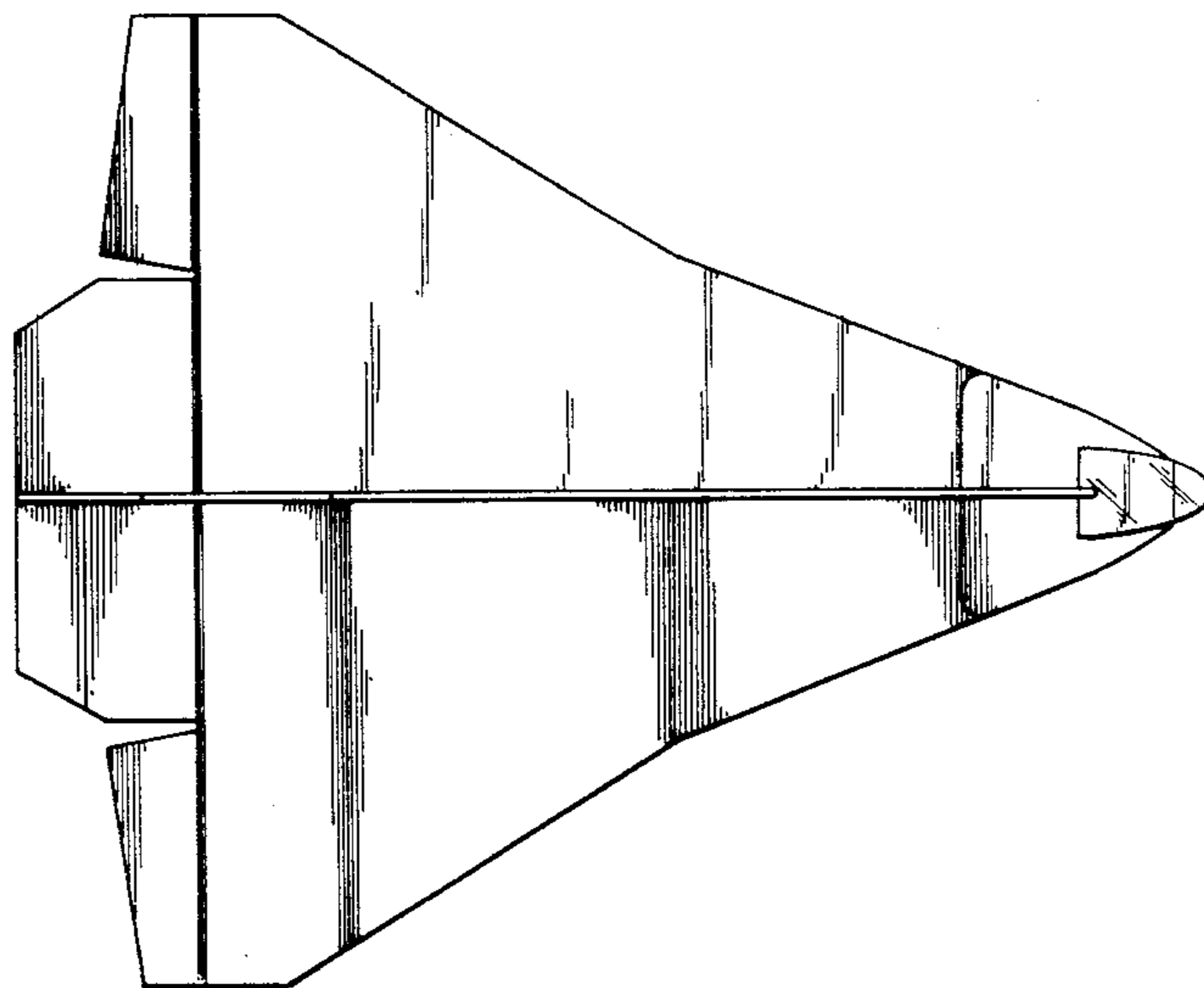


FIG. 1

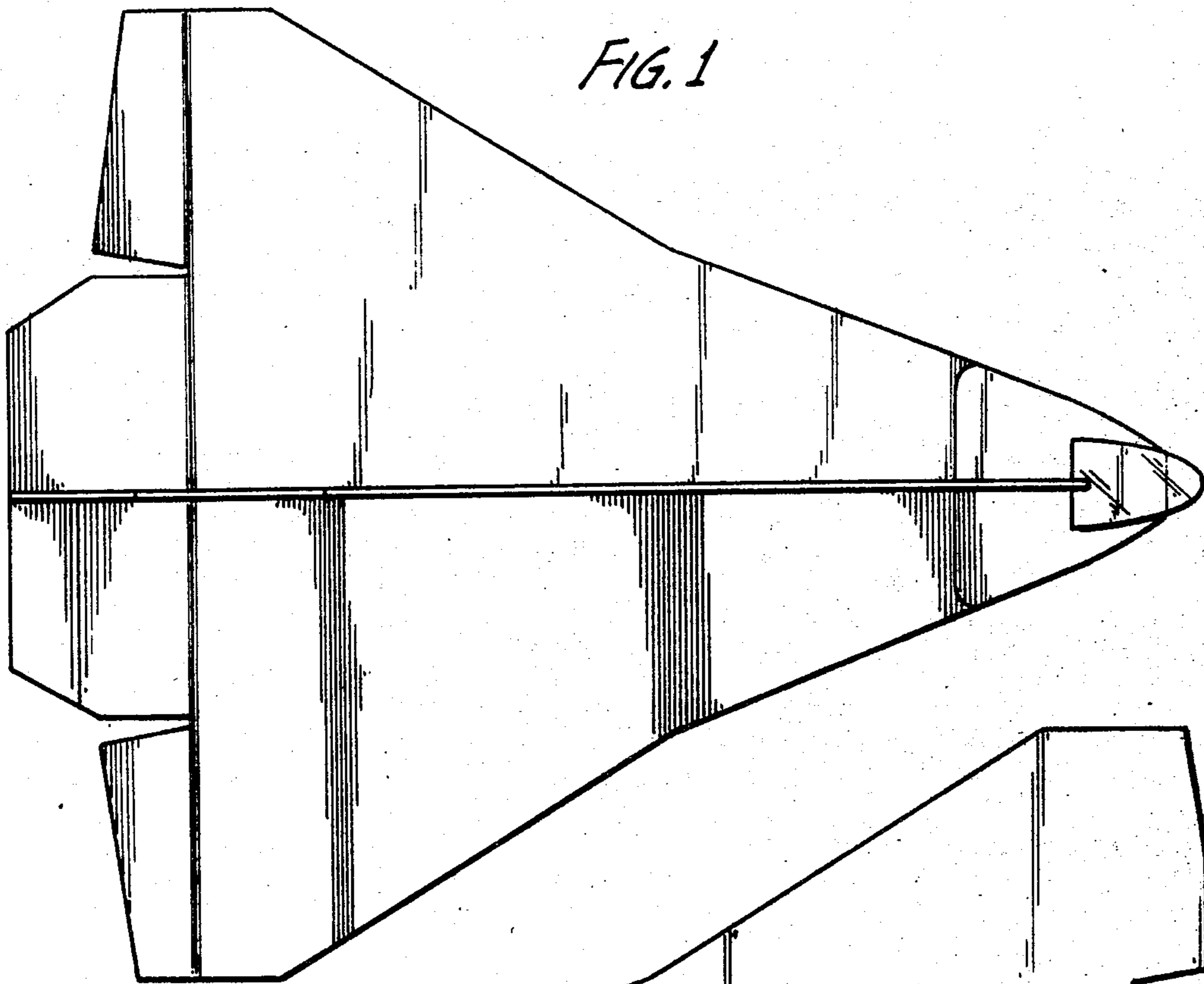


FIG. 2

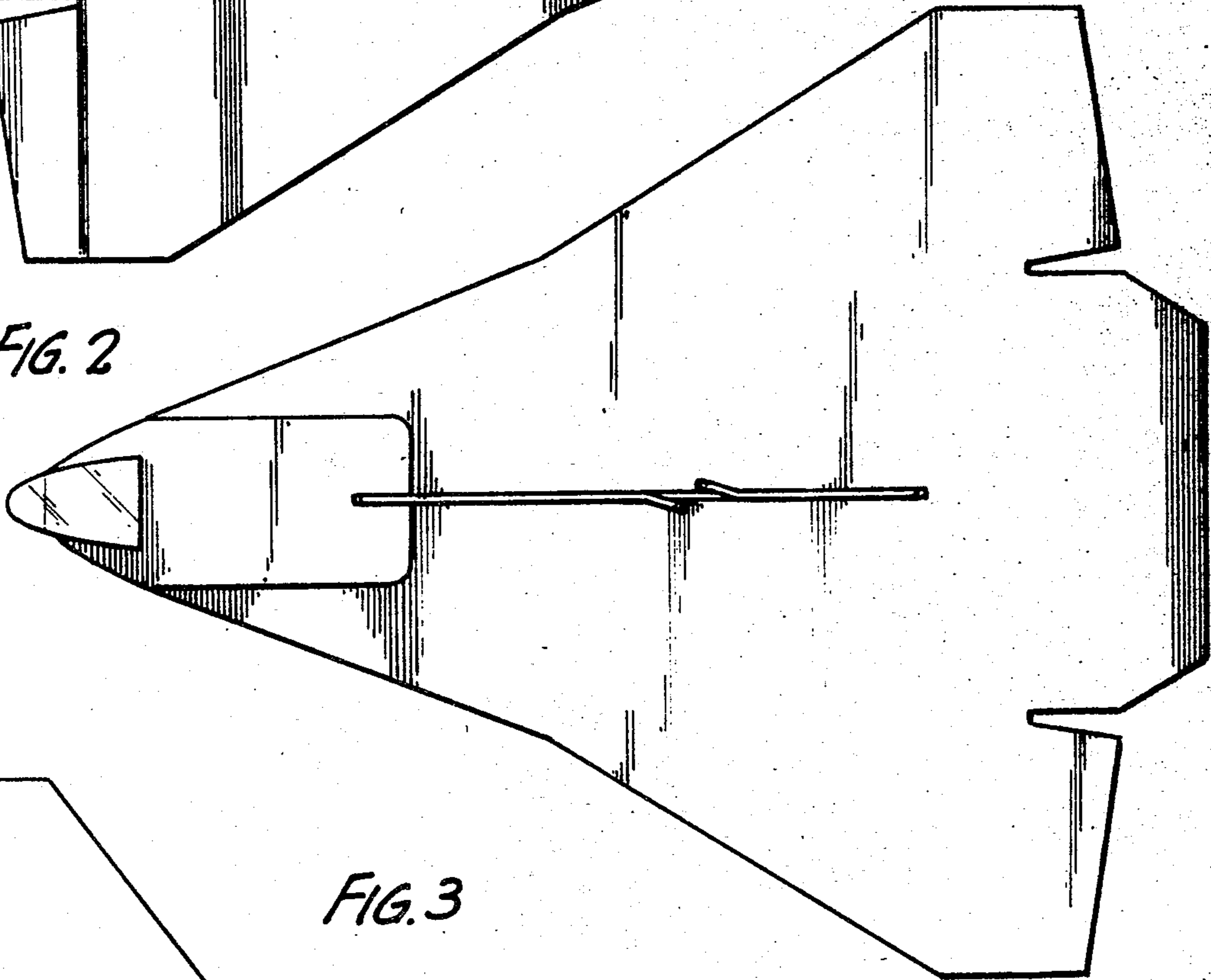


FIG. 3

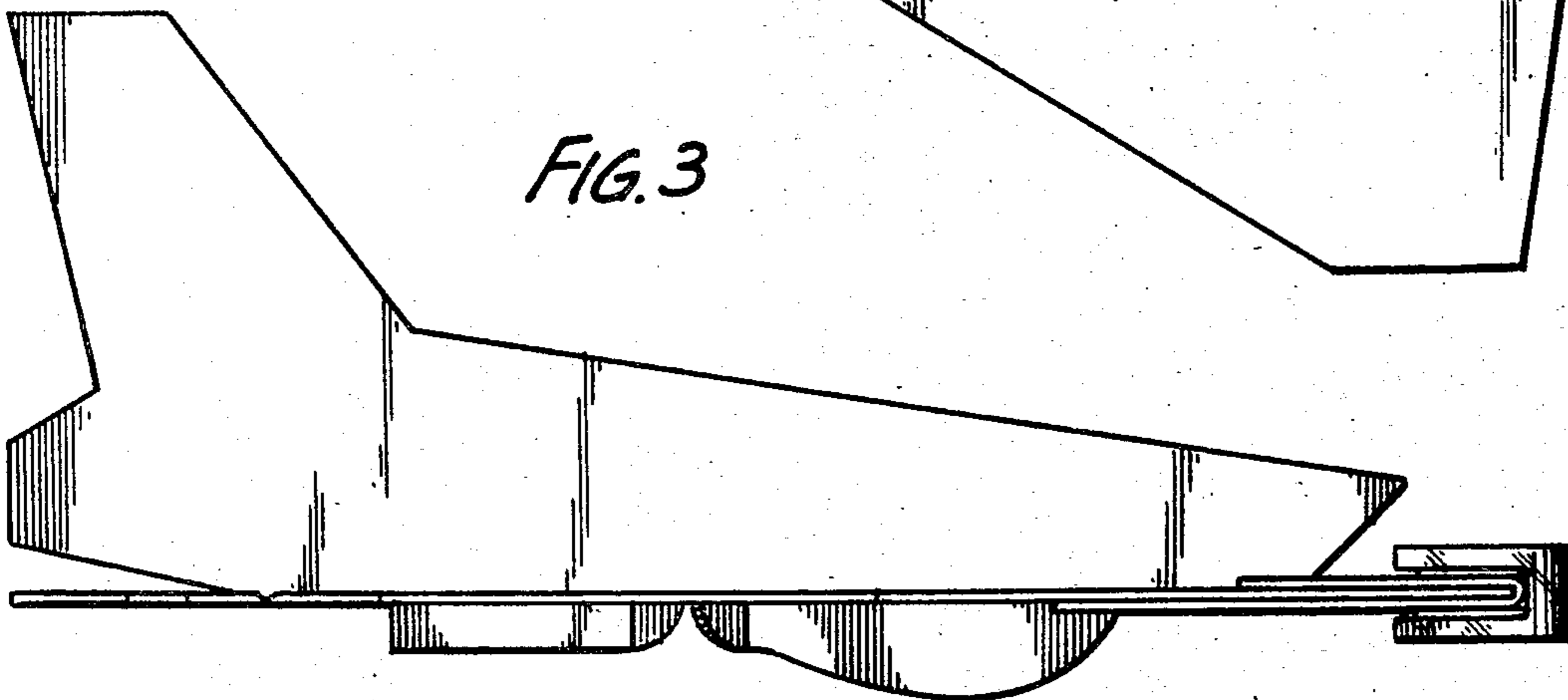


FIG. 4

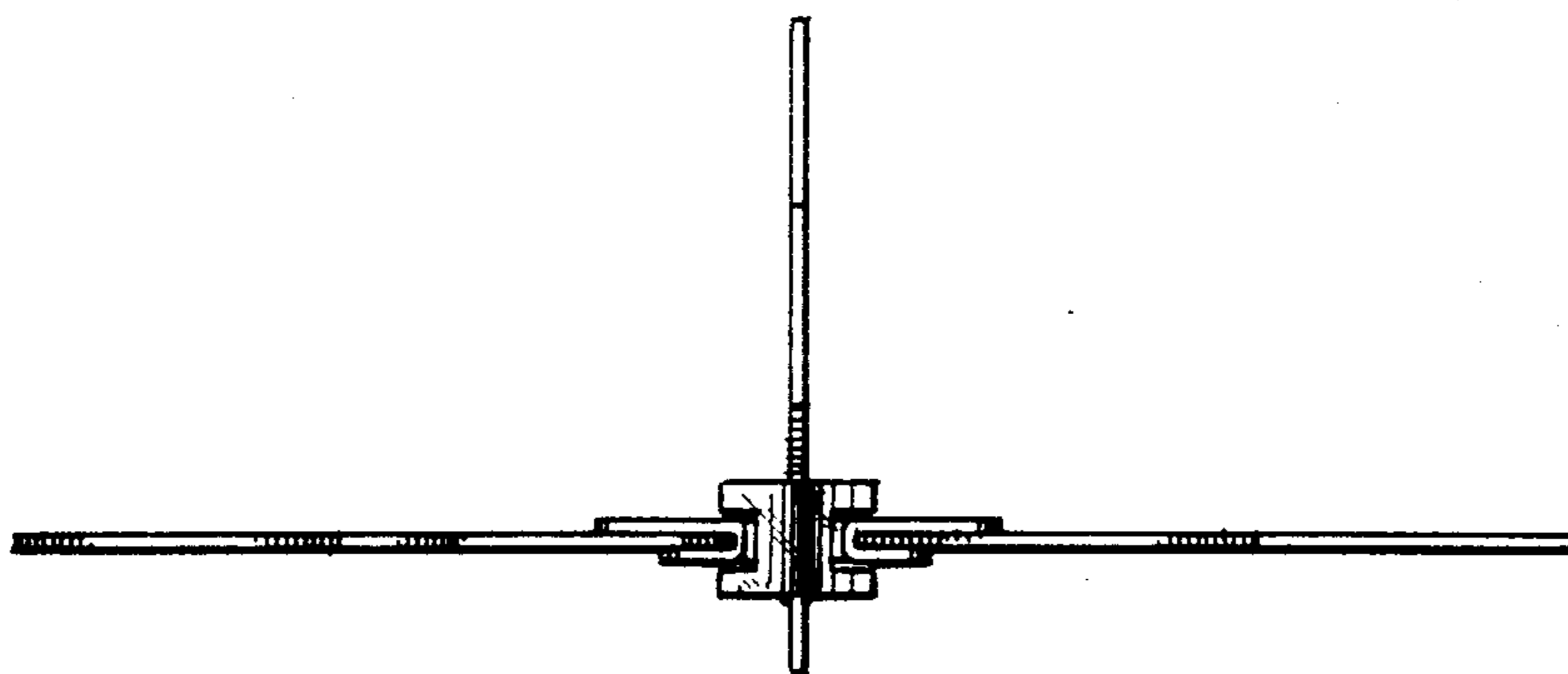


FIG. 5

