

[54] TOY GOLF CART

[75] Inventor: Mel Appel, Livingston, N.J.

[73] Assignee: The Mel Appel Company, Short Hills, N.J.

[\*\*] Term: 14 Years

[21] Appl. No.: 560,398

[22] Filed: Dec. 12, 1983

[52] U.S. Cl. .... D21/80

[58] Field of Search ..... D34/15, 16; D12/16, D12/112; D21/78, 76, 80, 71; 296/177; 280/1.11 R, 281 LP, 281 W, 281 B, 282, 87.01

[56] References Cited

U.S. PATENT DOCUMENTS

- D. 195,505 6/1963 Saffert ..... D12/16
- D. 239,127 3/1976 Powers ..... D21/78

- D. 264,234 5/1982 Nakao et al. .... D21/78
- D. 272,166 1/1984 Orenstein ..... D21/78
- D. 272,898 3/1984 Kuchenbecker et al. .... D21/78
- 4,081,047 3/1978 Lovell et al. .... D34/15

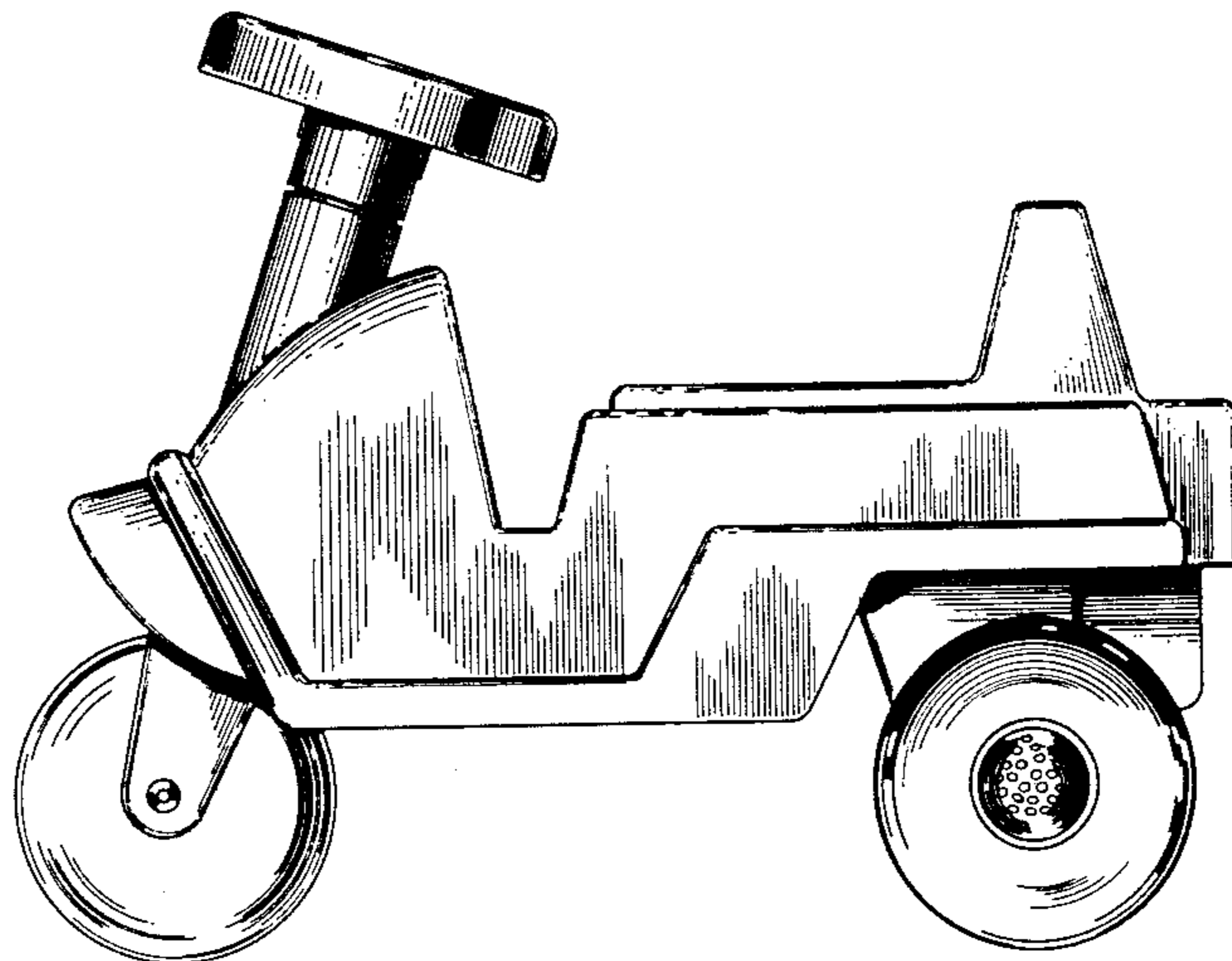
Primary Examiner—Charles A. Rademaker  
Attorney, Agent, or Firm—Brumbaugh, Graves,  
Donohue & Raymond

[57] CLAIM

The ornamental design for a toy golf cart, as shown and described.

DESCRIPTION

FIG. 1 is a front elevational view of a toy golf cart showing my new design;  
FIG. 2 is a side elevational view thereof, the side opposite being a mirror image;  
FIG. 3 is a rear elevational view thereof; and,  
FIG. 4 is a top plan view thereof.



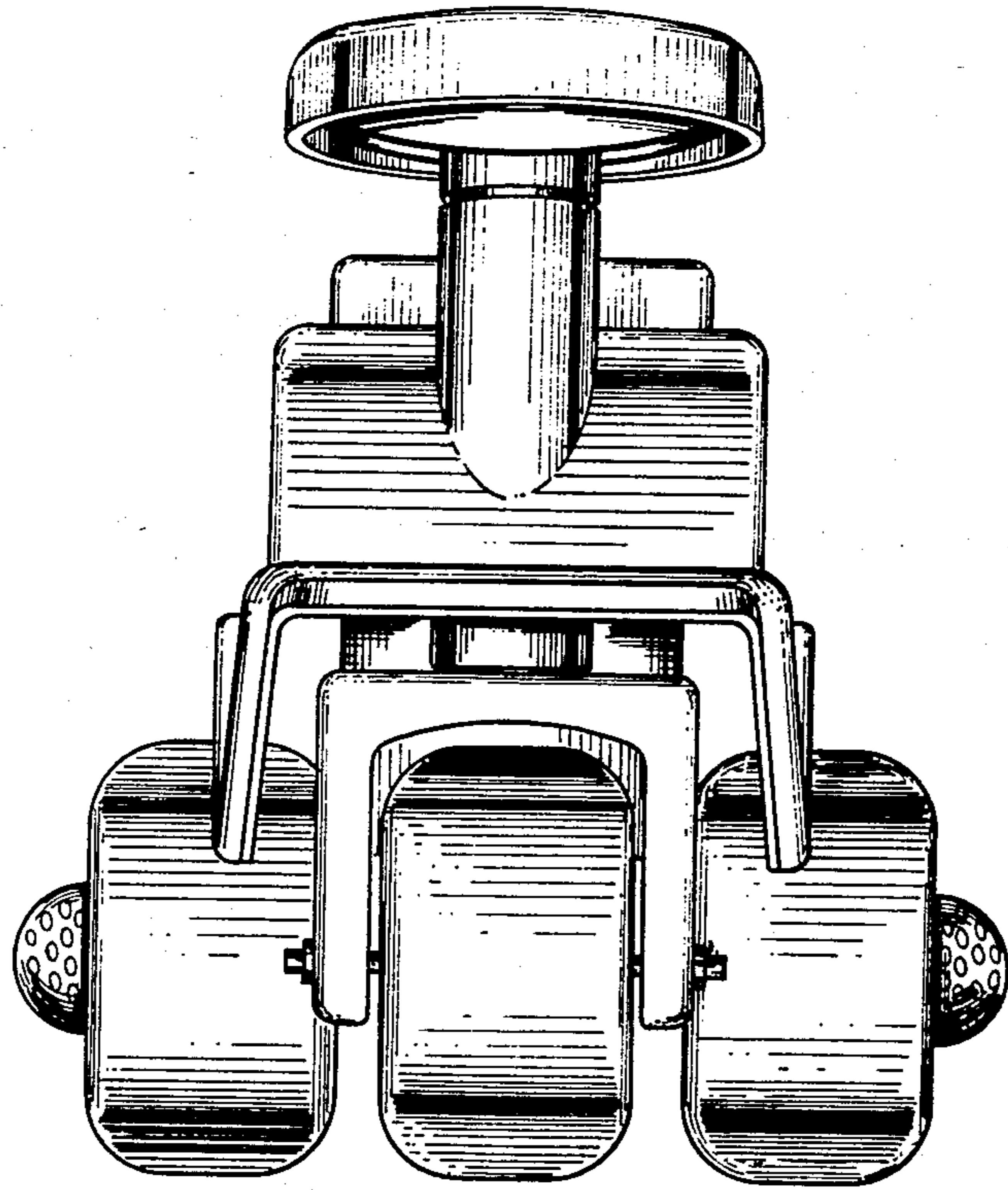


FIG. 1

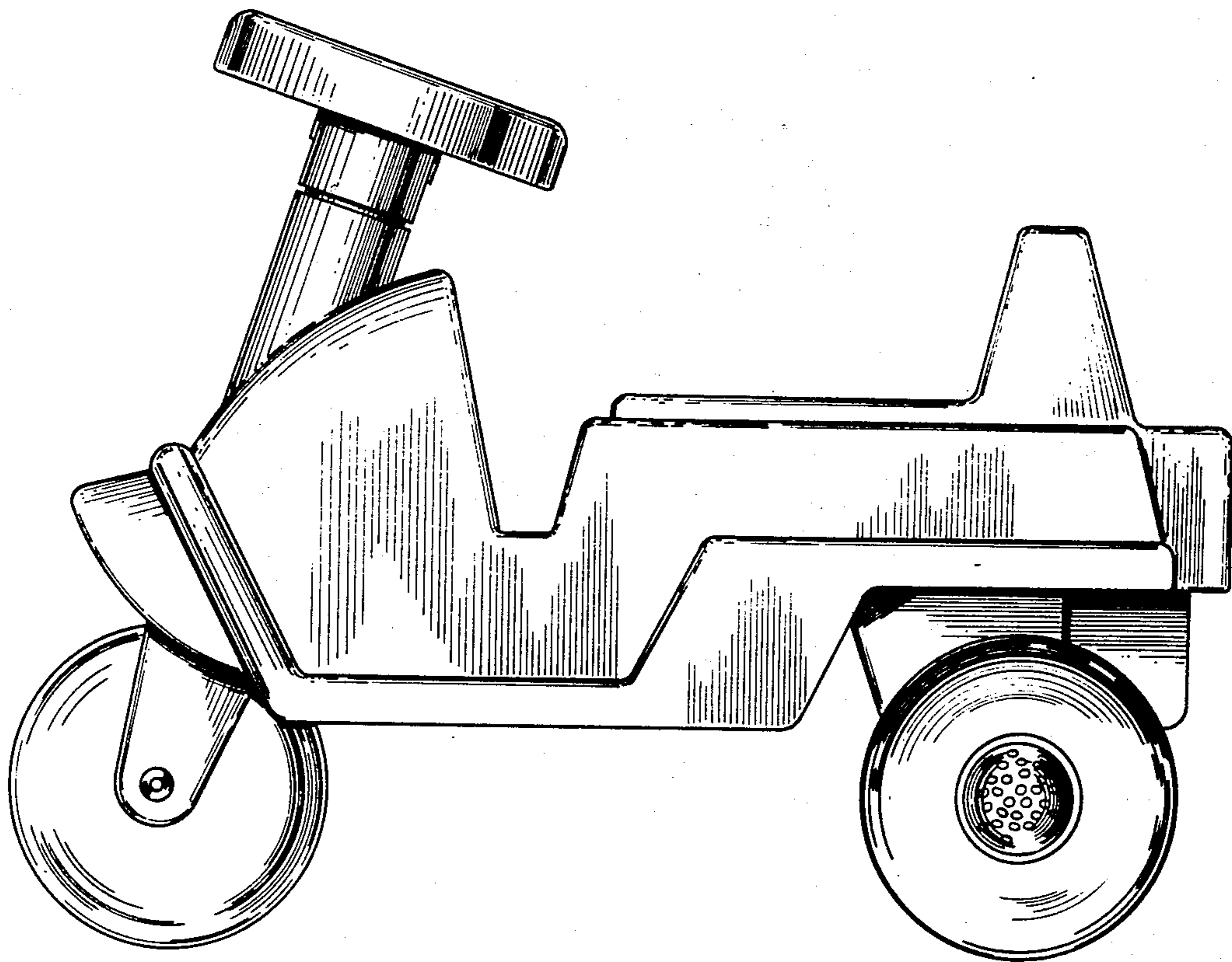


FIG. 2

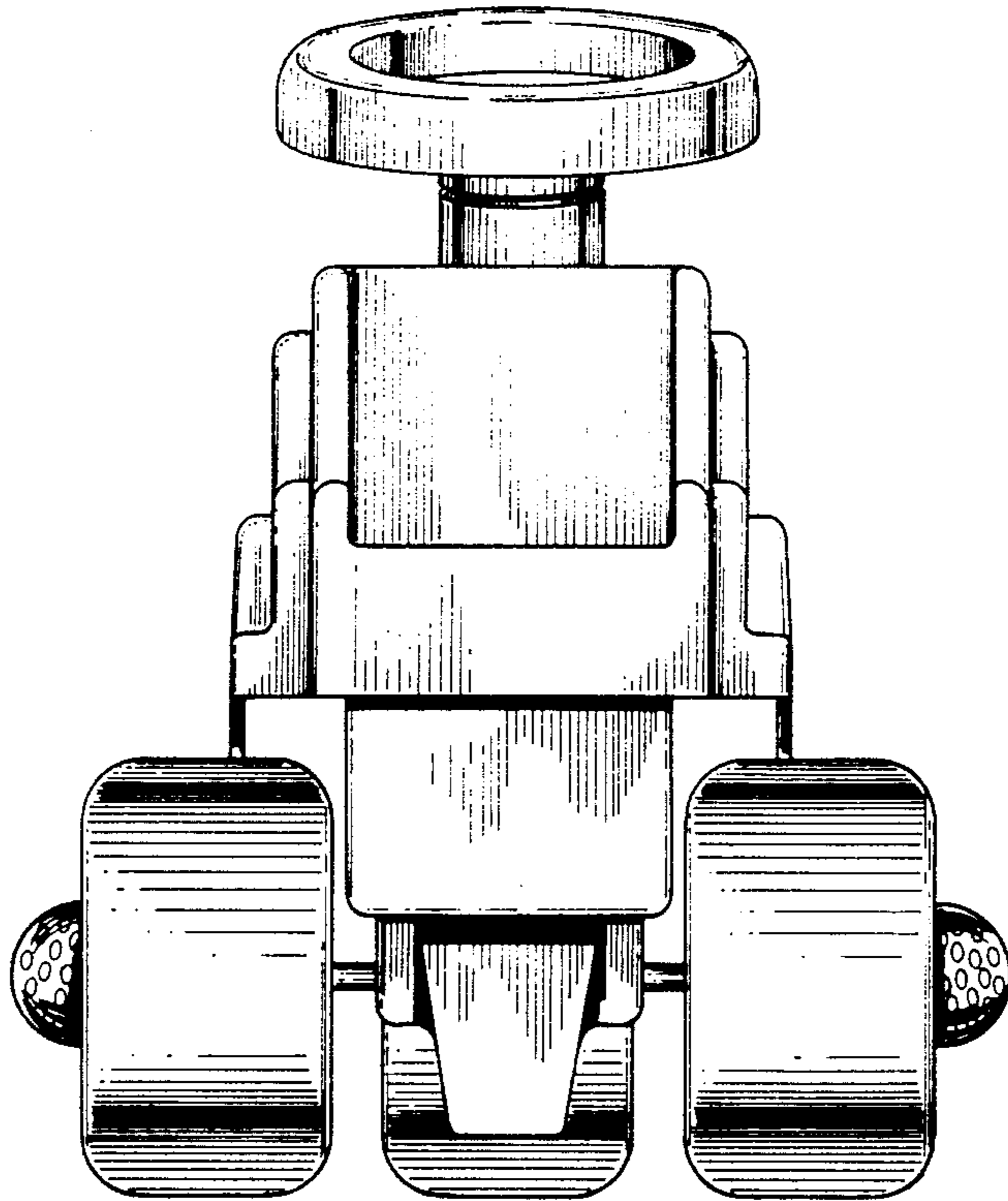


FIG. 3

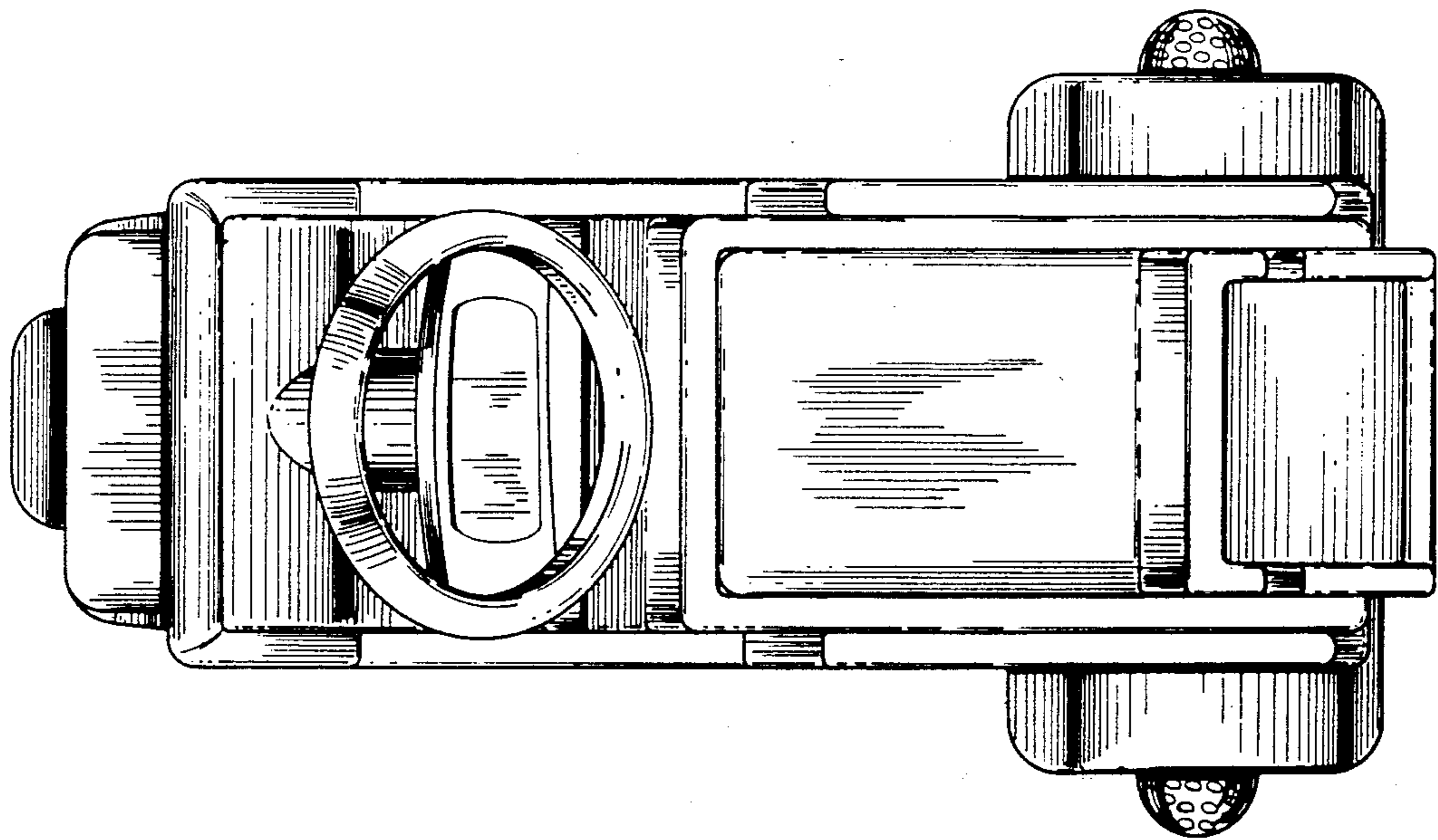


FIG. 4