

[54] GAME BOARD OR SIMILAR ARTICLE

D. 255,129 5/1980 Strongin ..... D21/17  
D. 265,408 7/1982 Ericson ..... D21/20

[75] Inventor: George F. Propson, Racine, Wis.

Primary Examiner—Melvin B. Feifer  
Attorney, Agent, or Firm—Stewart L. Gitler; Martin P. Hoffman

[73] Assignee: Western Publishing Company, Inc.,  
Racine, Wis.

[\*\*] Term: 14 Years

[57] CLAIM

[21] Appl. No.: 581,003

The ornamental design for a game board or similar article, as shown and described.

[22] Filed: Feb. 16, 1984

DESCRIPTION

[52] U.S. Cl. .... D21/17

[58] Field of Search ..... D21/14-36;  
273/236-285

FIG. 1 is a top perspective view of a game board or similar article showing my new design.

FIG. 2 is a side elevation view thereof;

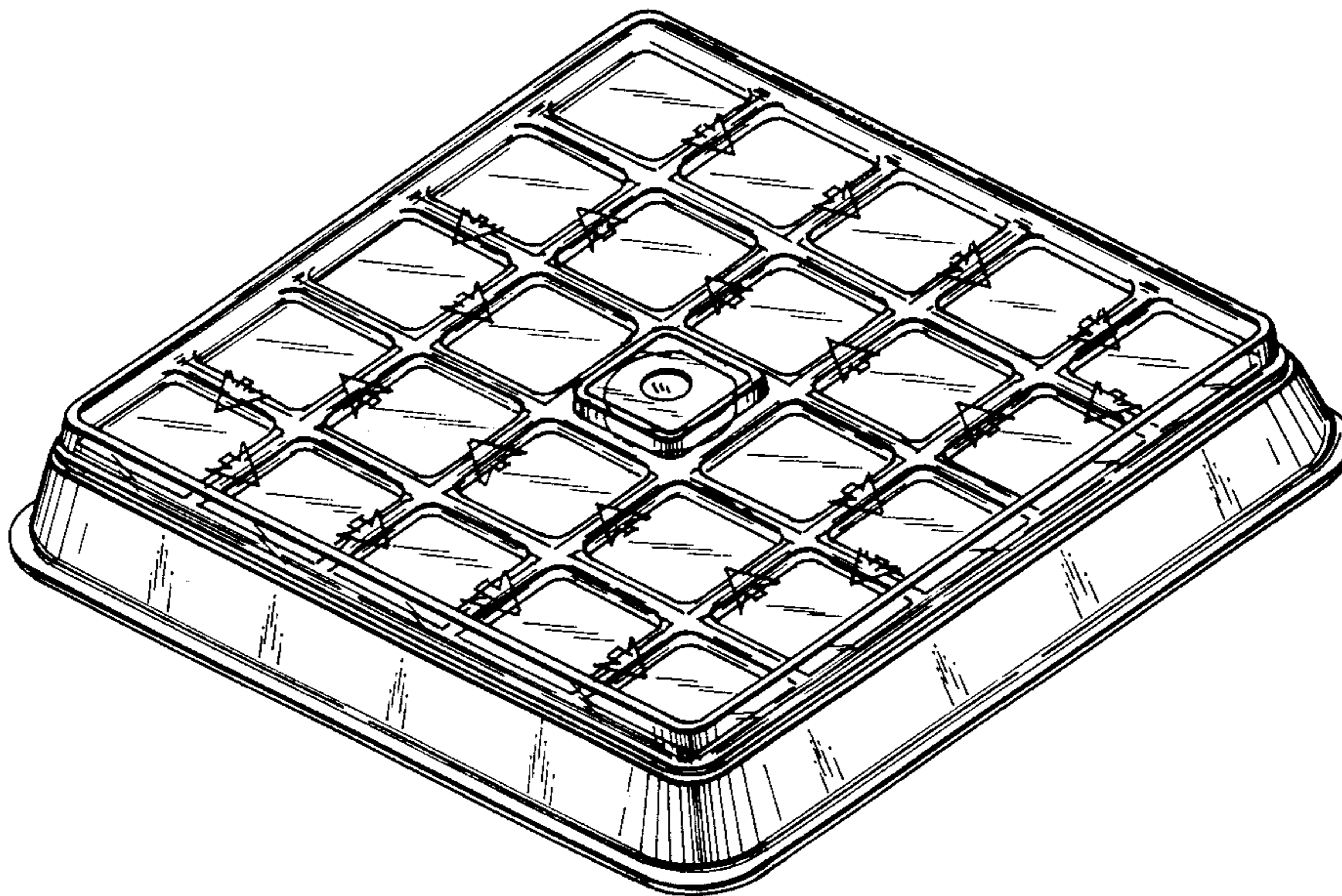
FIG. 3 is a bottom plan view thereof; and

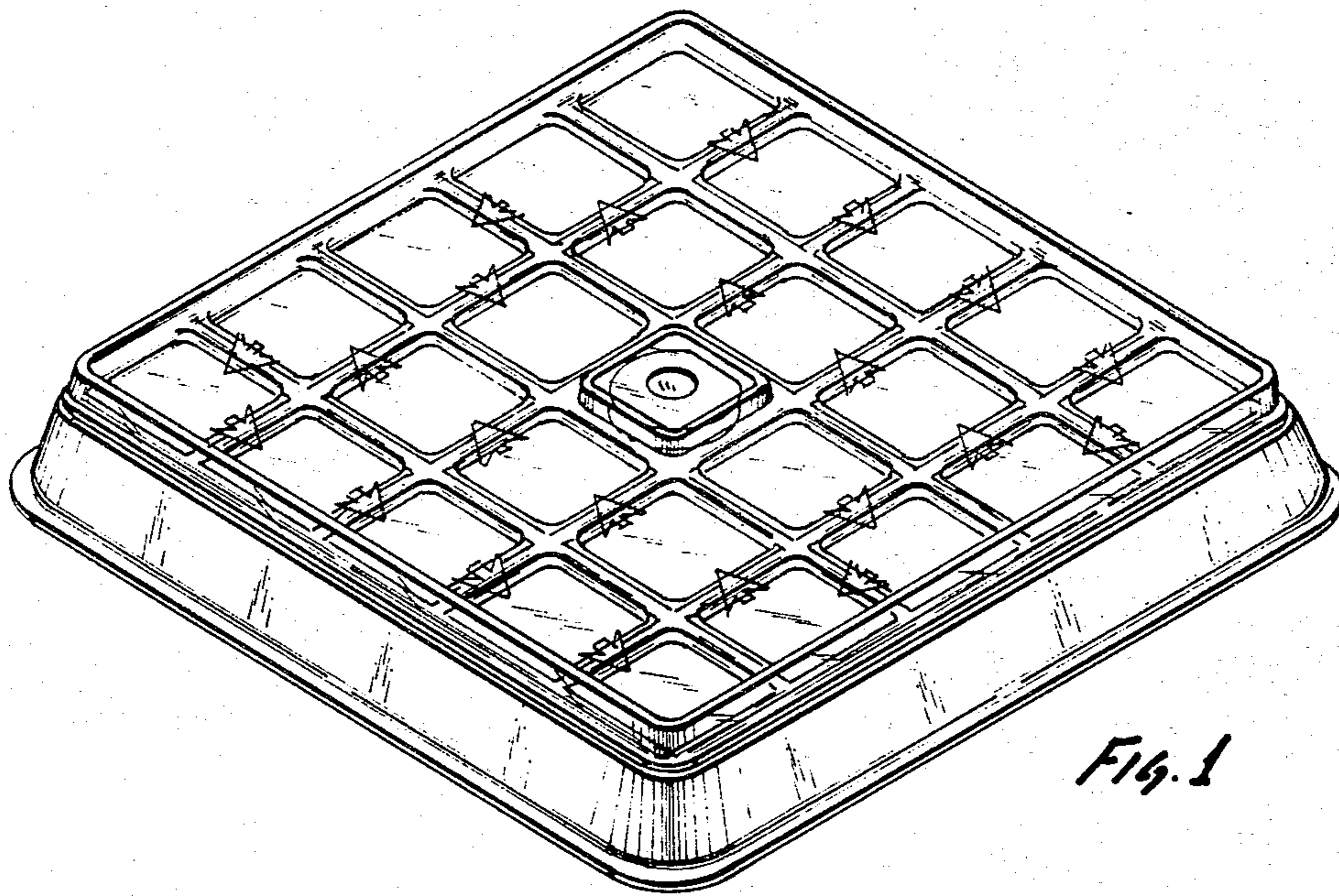
FIG. 4 is an exploded perspective view showing the supporting base, the indicia carrying game board, and the rotatable transparent game board overlay.

[56] References Cited

U.S. PATENT DOCUMENTS

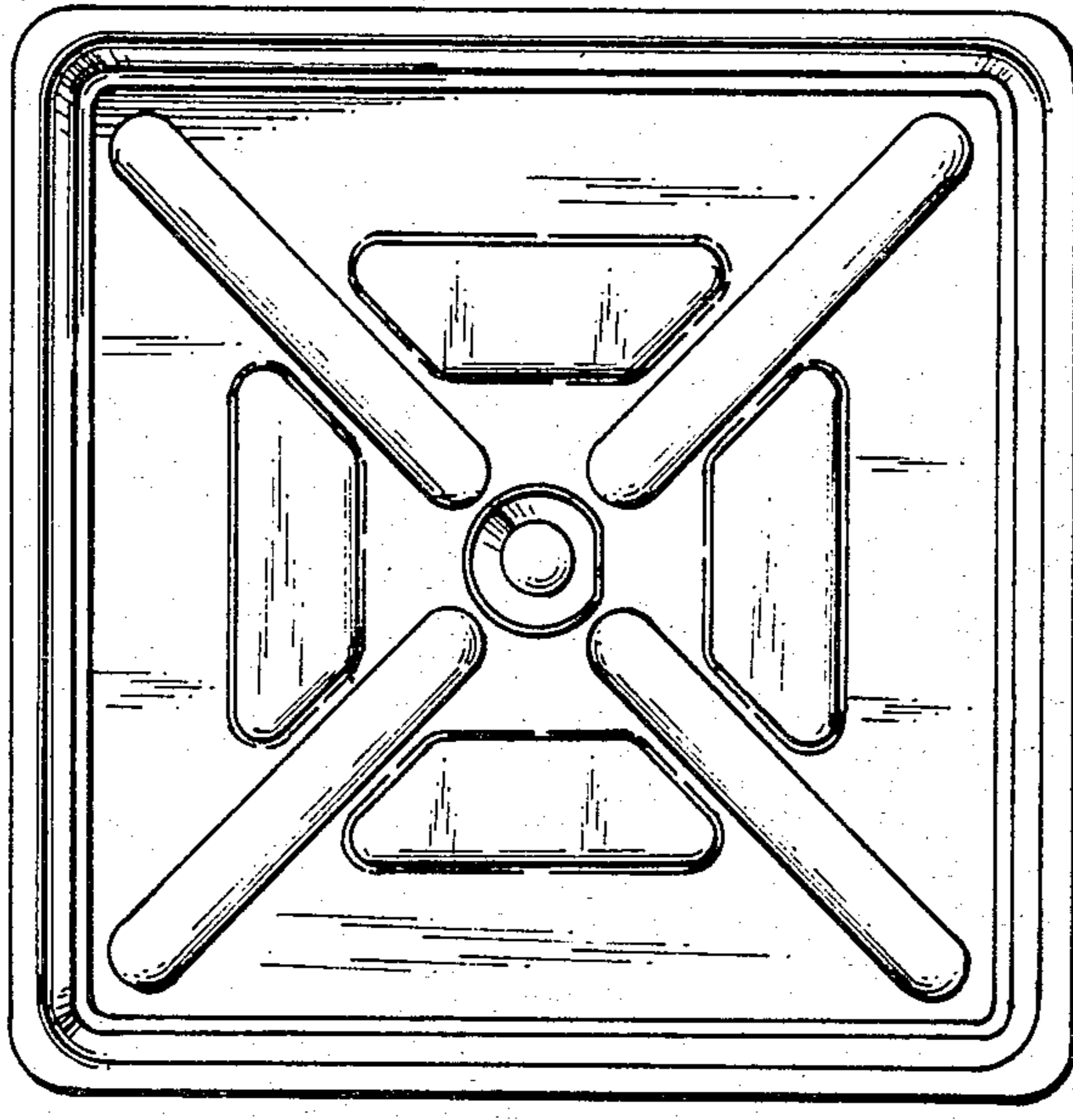
D. 220,963 6/1971 Cohen et al. .... D21/17





*Fig. 1*

*Fig. 3*



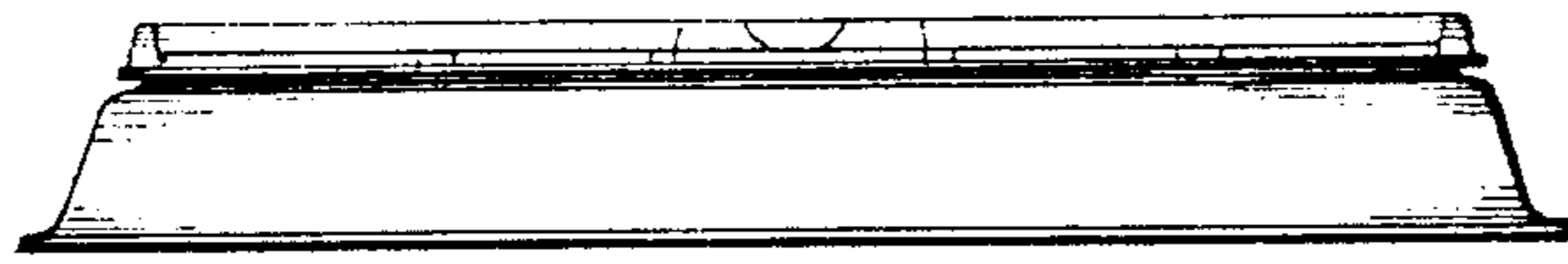


FIG. 2

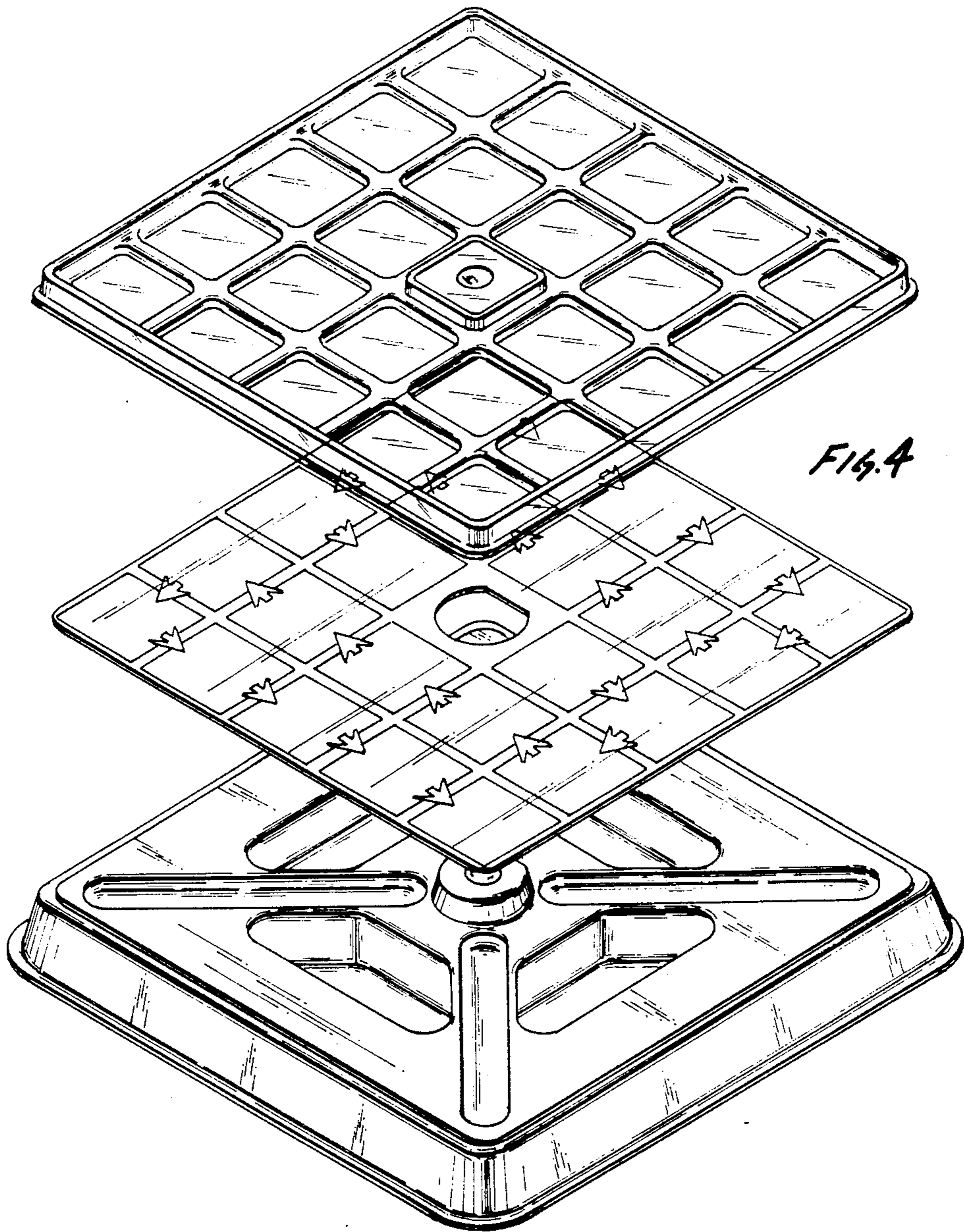


FIG. 4

UNITED STATES PATENT AND TRADEMARK OFFICE  
**CERTIFICATE OF CORRECTION**

PATENT NO. : Des. 285,318

DATED : August 26, 1986

INVENTOR(S) : George F. Propson

It is certified that error appears in the above-identified patent and that said Letters Patent is hereby corrected as shown below:

On the title page, top of page, please delete "Propson" and insert in its place----Propson--.

Item [75] should read--Propson-- after George F.

**Signed and Sealed this**

**Twenty-fifth Day of November, 1986**

*Attest:*

DONALD J. QUIGG

*Attesting Officer*

*Commissioner of Patents and Trademarks*