

[54] SET OF HANGER MOUNTING PIECES FOR ATTACHMENT TO A DISPLAY BOARD OR SIMILAR ARTICLE

[76] Inventor: Houston F. James, 8350 Moberly La., Dallas, Tex. 75227

[\*\*] Term: 14 Years

[21] Appl. No.: 547,042

[22] Filed: Oct. 31, 1983

[52] U.S. Cl. D20/43; D8/373

[58] Field of Search 248/489, 494, 495, 496, 248/542, 220.2, 222.1, 224.3, 466, 467, 475.1, 489; 40/152.1, 617, 621; D8/349, 354, 373; D20/42, 43, 99

[56] References Cited

U.S. PATENT DOCUMENTS

|           |         |          |           |
|-----------|---------|----------|-----------|
| 3,112,912 | 12/1963 | Alvarez  | 248/496   |
| 3,165,287 | 1/1965  | Parsons  | 248/496   |
| 3,294,355 | 12/1966 | Topf     | 248/489   |
| 3,311,435 | 3/1967  | Heritage | 248/542   |
| 3,612,469 | 10/1971 | Dennis   | 248/475.1 |
| 4,083,525 | 4/1978  | Rath     | 248/496   |
| 4,212,123 | 7/1980  | Robin    | 248/542 X |

|           |         |              |         |
|-----------|---------|--------------|---------|
| 4,220,309 | 9/1980  | Eisen et al. | 248/542 |
| 4,228,982 | 10/1980 | Sellera      | 248/467 |

Primary Examiner—Catherine E. Kemper  
Attorney, Agent, or Firm—T. D. Copeland

[57] CLAIM

The ornamental design for a set of hanger mounting pieces for attachment to a display board or similar article, as shown and described.

DESCRIPTION

FIG. 1 is a top front perspective view of a set of hanger mounting pieces for attachment to a display board or similar article, showing my new design;

FIG. 2 is a top front perspective view of that piece of the set which attaches to the display board or similar article;

FIG. 3 is a bottom rear perspective view of the piece shown in FIG. 2;

FIG. 4 is a bottom rear perspective view of that piece of the set which mounts on the wall;

FIG. 5 is a side elevational view of the set as shown in FIG. 1;

FIG. 6 is a top plan view thereof;

FIG. 7 is a bottom plan view thereof.

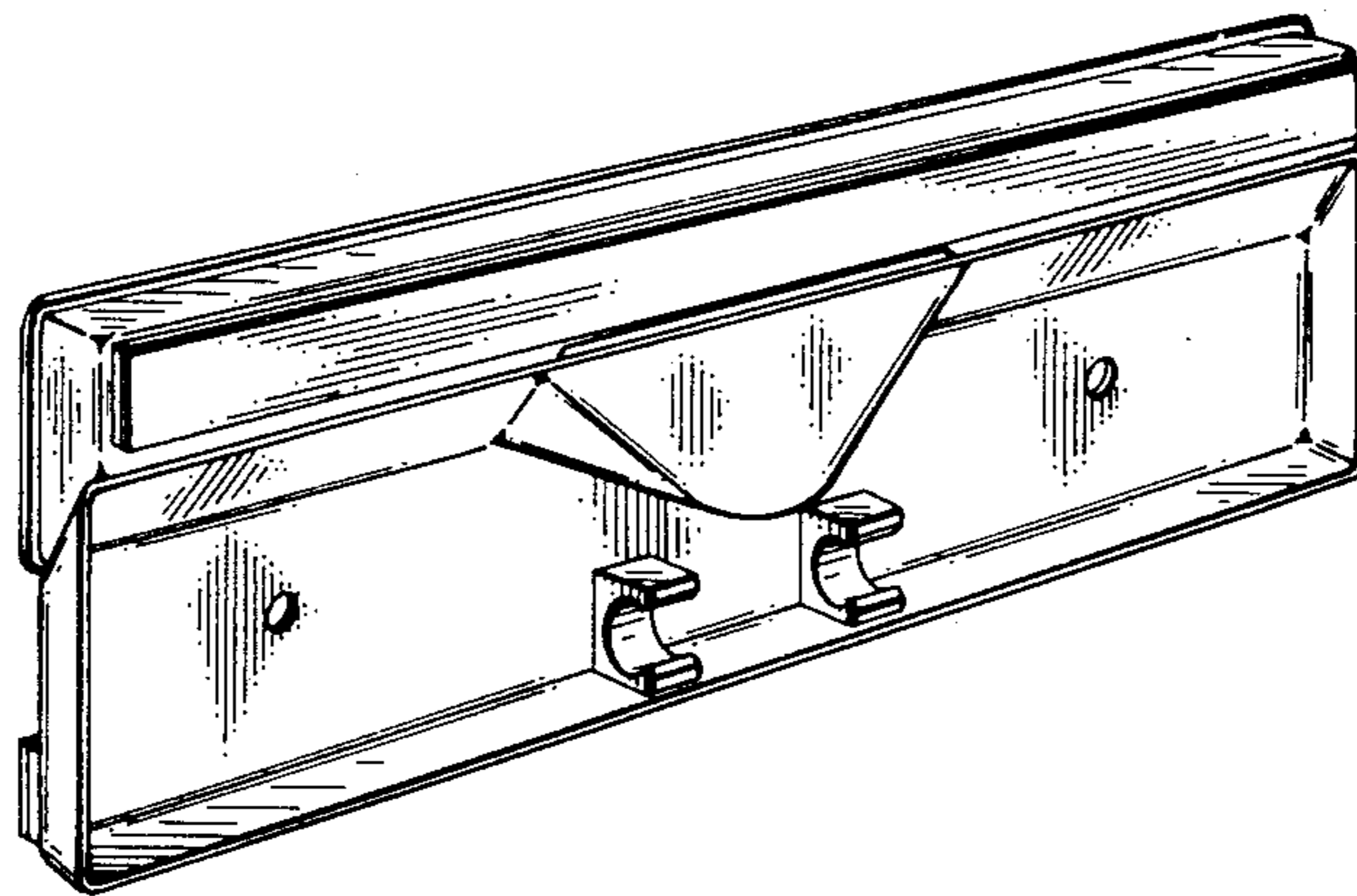


FIG. 1

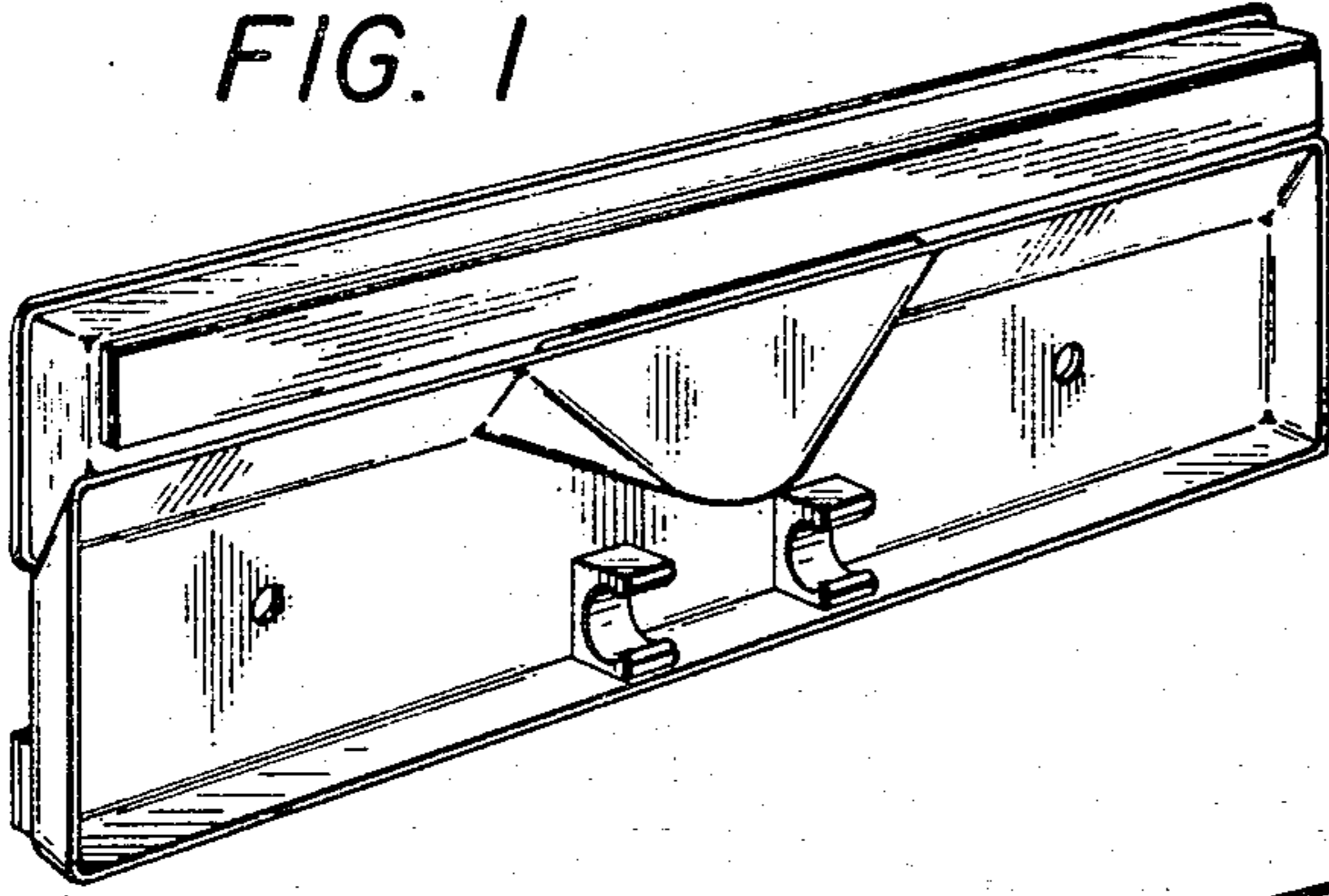


FIG. 2

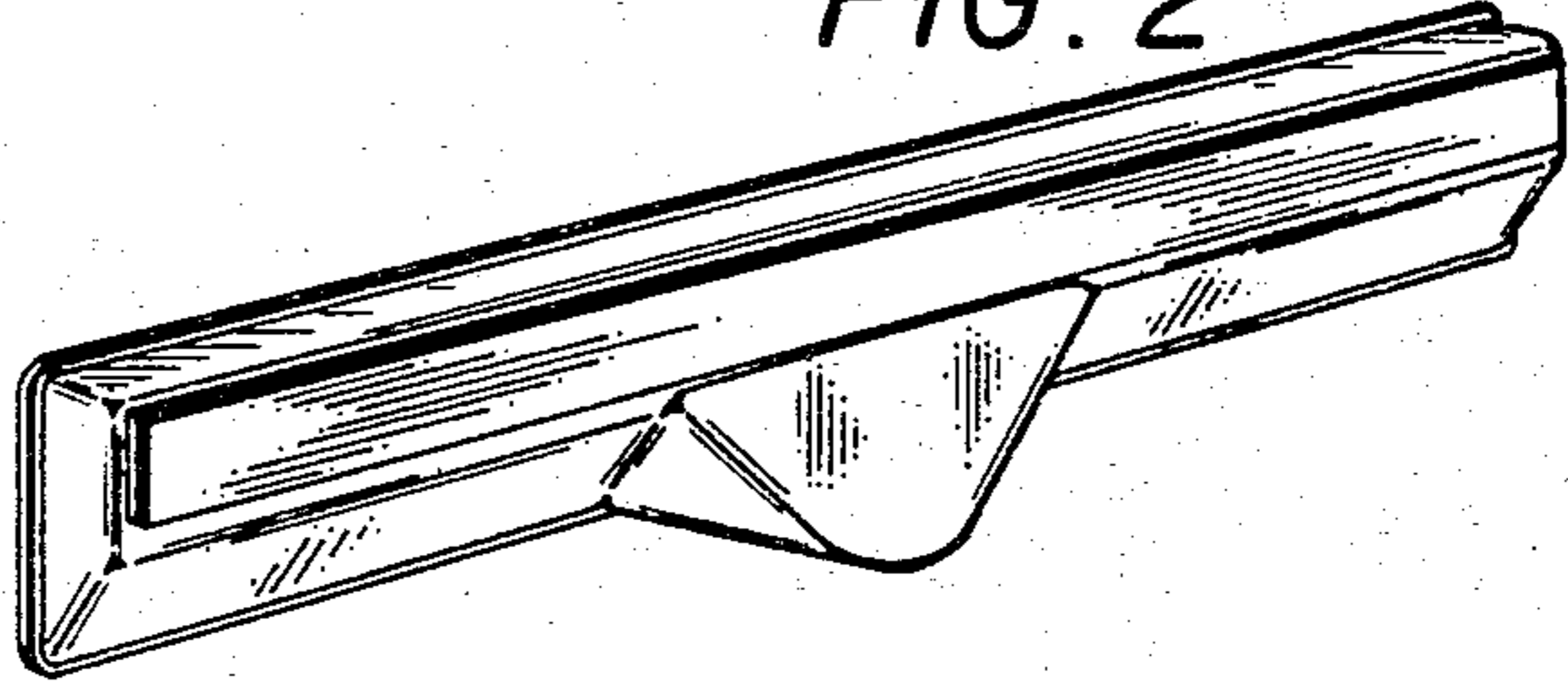


FIG. 3

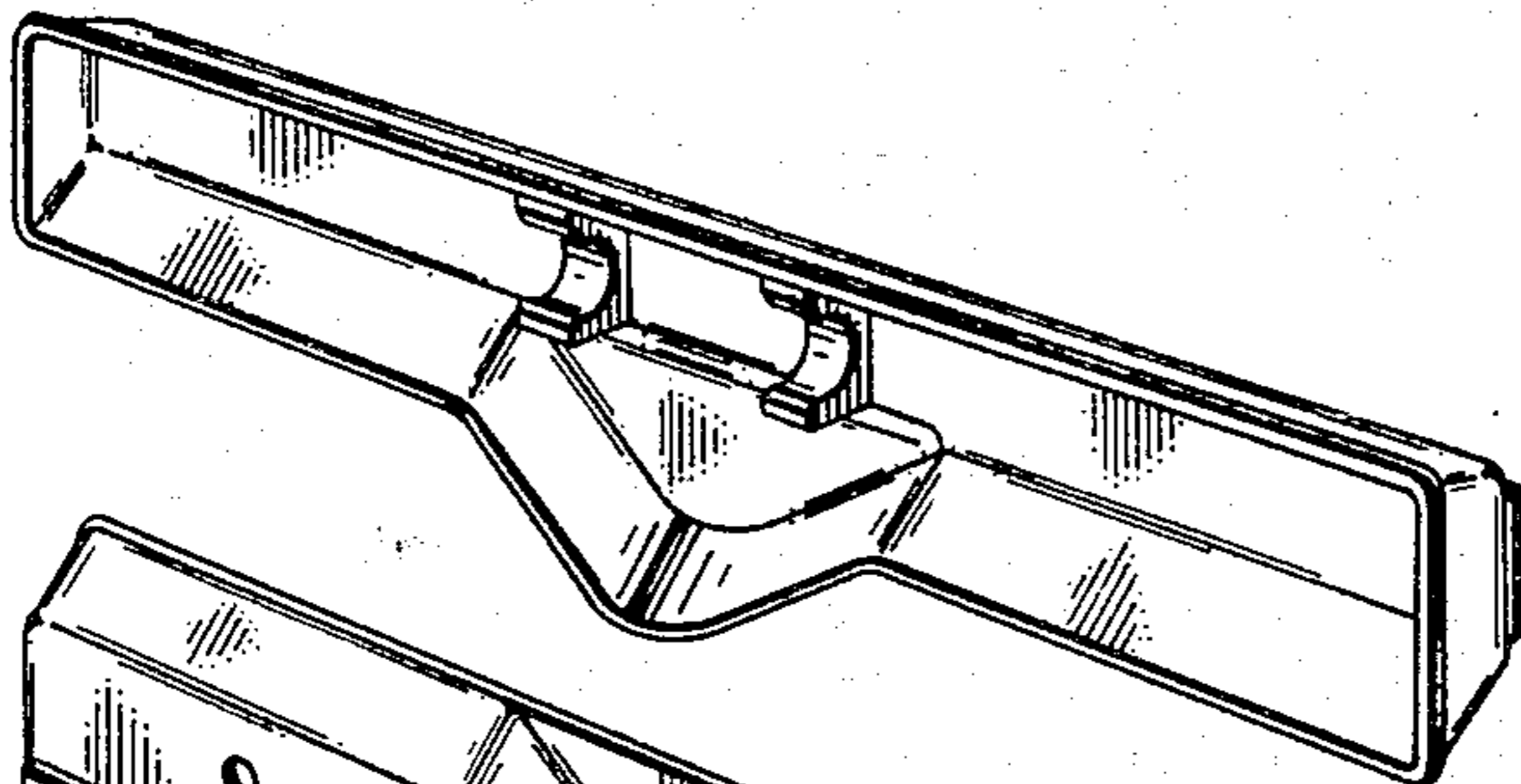


FIG. 5



FIG. 4

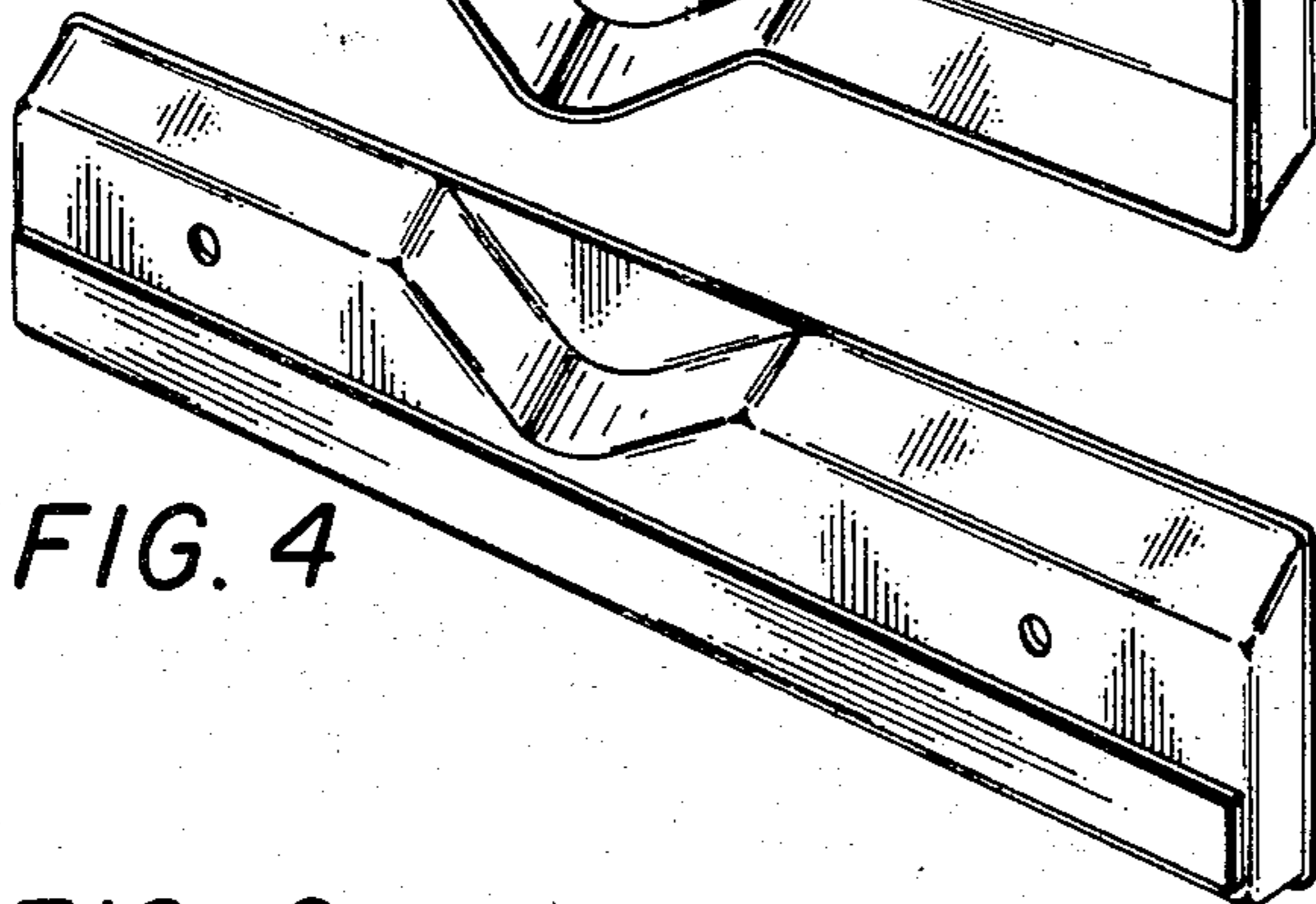


FIG. 6

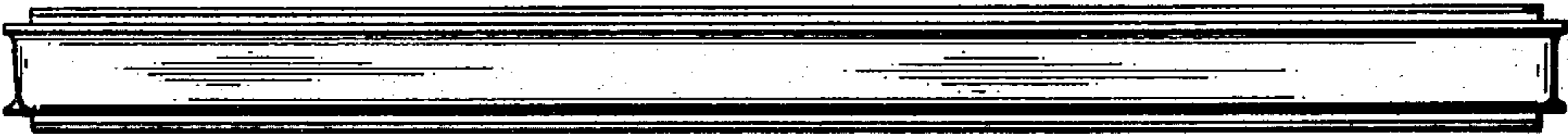


FIG. 7

