

[54] CATALYTIC CONVERTER

4,476,852 10/1984 Lee et al. 126/77

[75] Inventor: Peter S. Albertsen, Warwick, R.I.

OTHER PUBLICATIONS

[73] Assignee: Nu-Tec Incorporated, East Greenwich, R.I.

Modern Plastics Encyclopedia, Sep. 1959-1960, p. 771, Custom Molding Standard Parts-Tapered Lever.

[**] Term: 14 Years

Primary Examiner—Catherine E. Kemper

[21] Appl. No.: 481,340

[57] CLAIM

[22] Filed: Apr. 1, 1983

The design for a catalytic converter, as shown.

[52] U.S. Cl. D15/5

DESCRIPTION

[58] Field of Search D15/5; D23/137, 152; D8/307; 422/114; 126/15 A, 77, 292

FIG. 1 is a perspective view of a catalytic converter showing my new design.

FIG. 2 is a top plan view thereof.

FIG. 3 is a right side elevational view thereof.

FIG. 4 is a bottom plan view thereof.

FIG. 5 is a rear elevational view thereof.

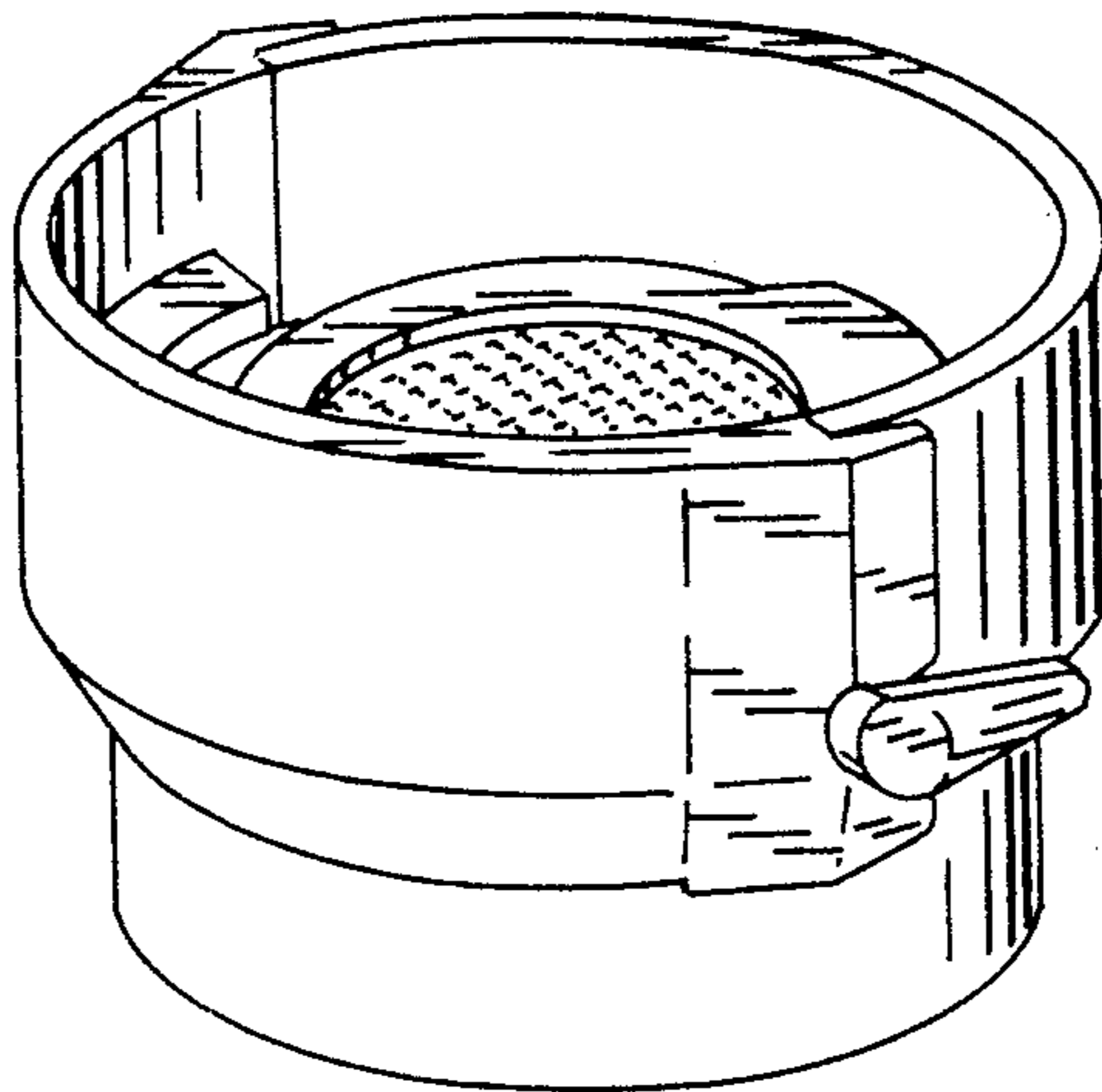
FIG. 6 is a front elevational view thereof.

FIG. 7 is a left side elevational view thereof.

[56] References Cited

U.S. PATENT DOCUMENTS

- 1,012,266 12/1911 Miller 126/292
- 3,946,733 3/1976 Han 126/15 A
- 4,263,890 4/1981 Turko et al. 126/292



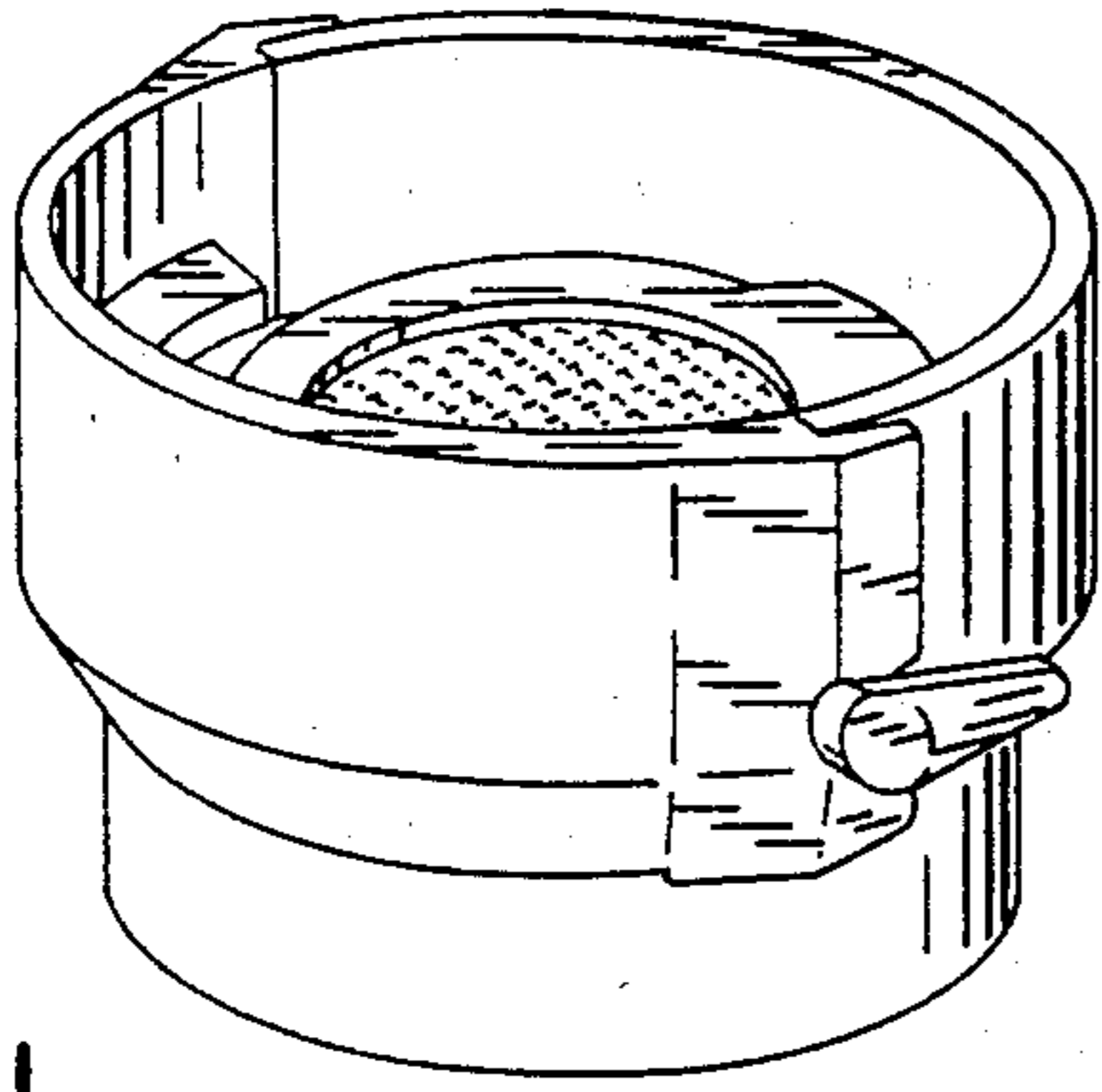


FIG 1

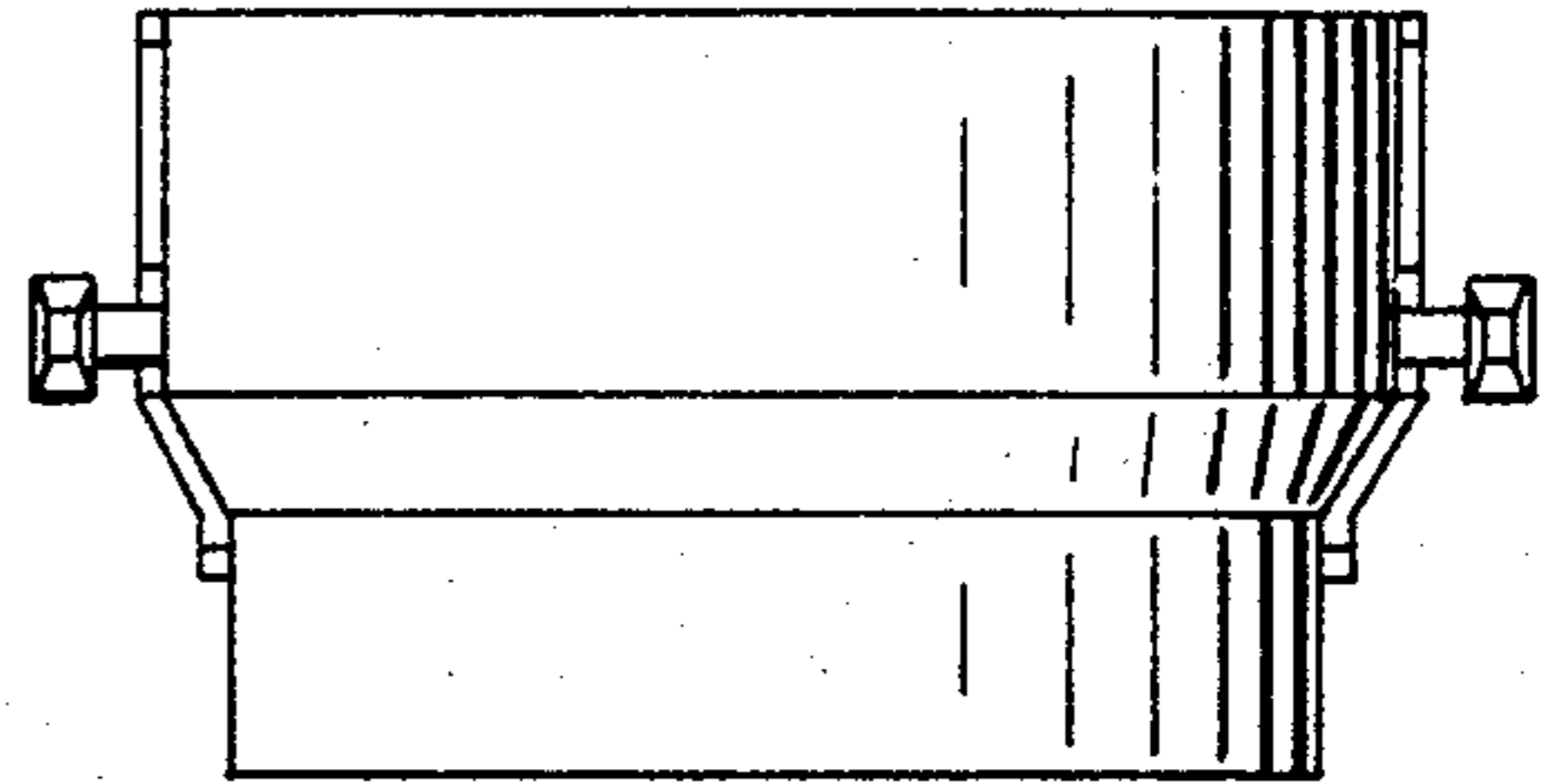


FIG 5

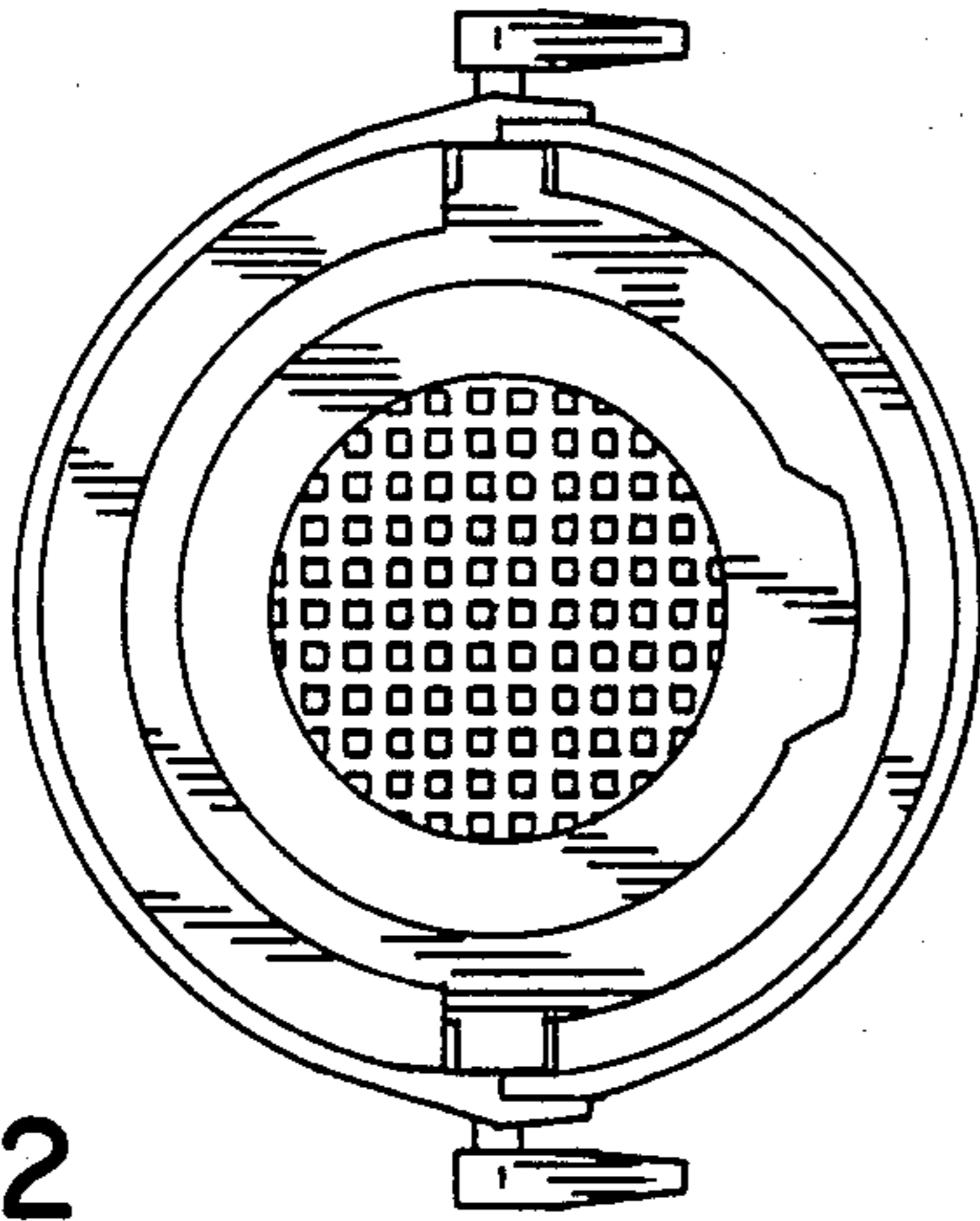


FIG 2

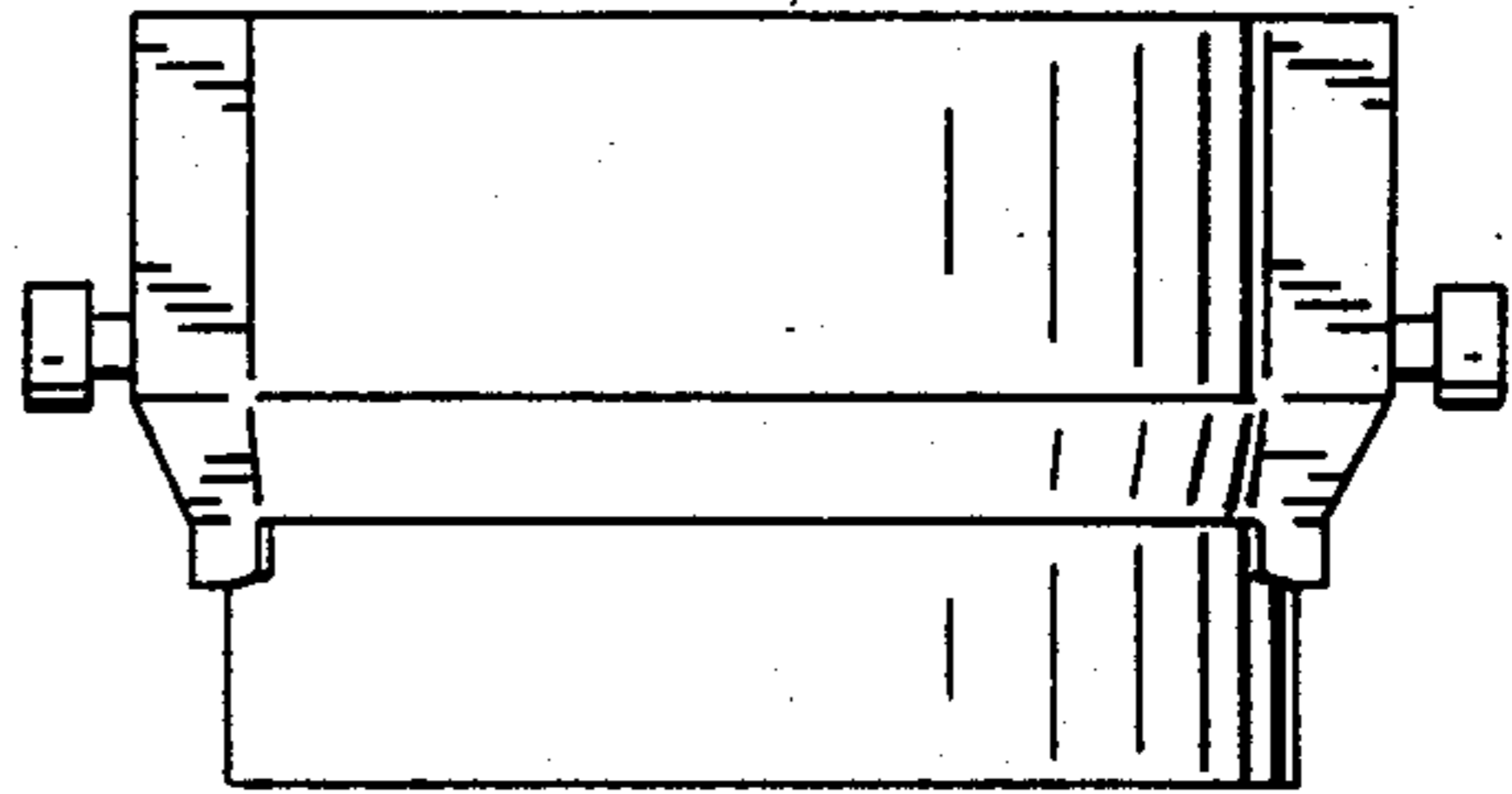


FIG 6

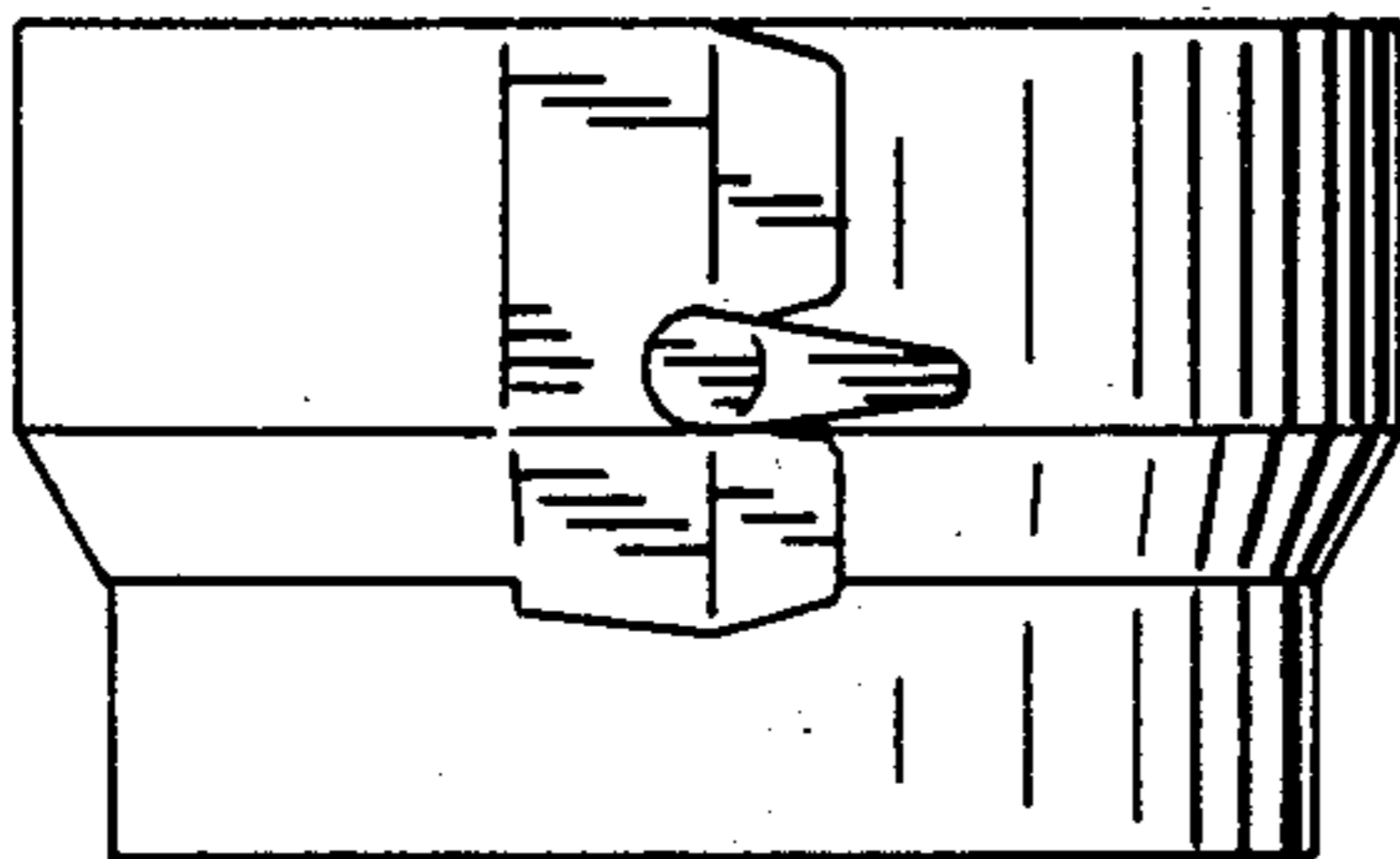


FIG 3

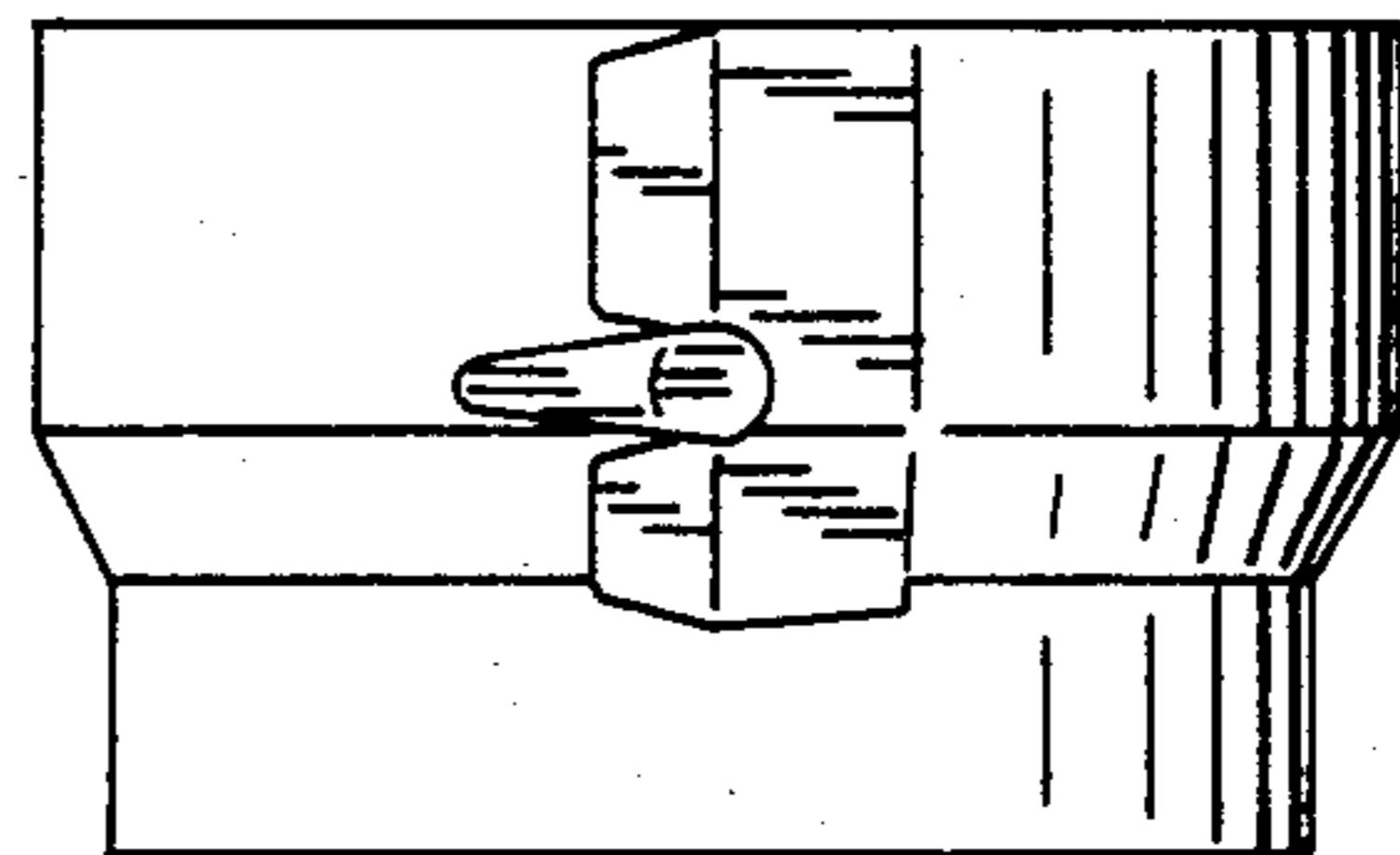


FIG 7

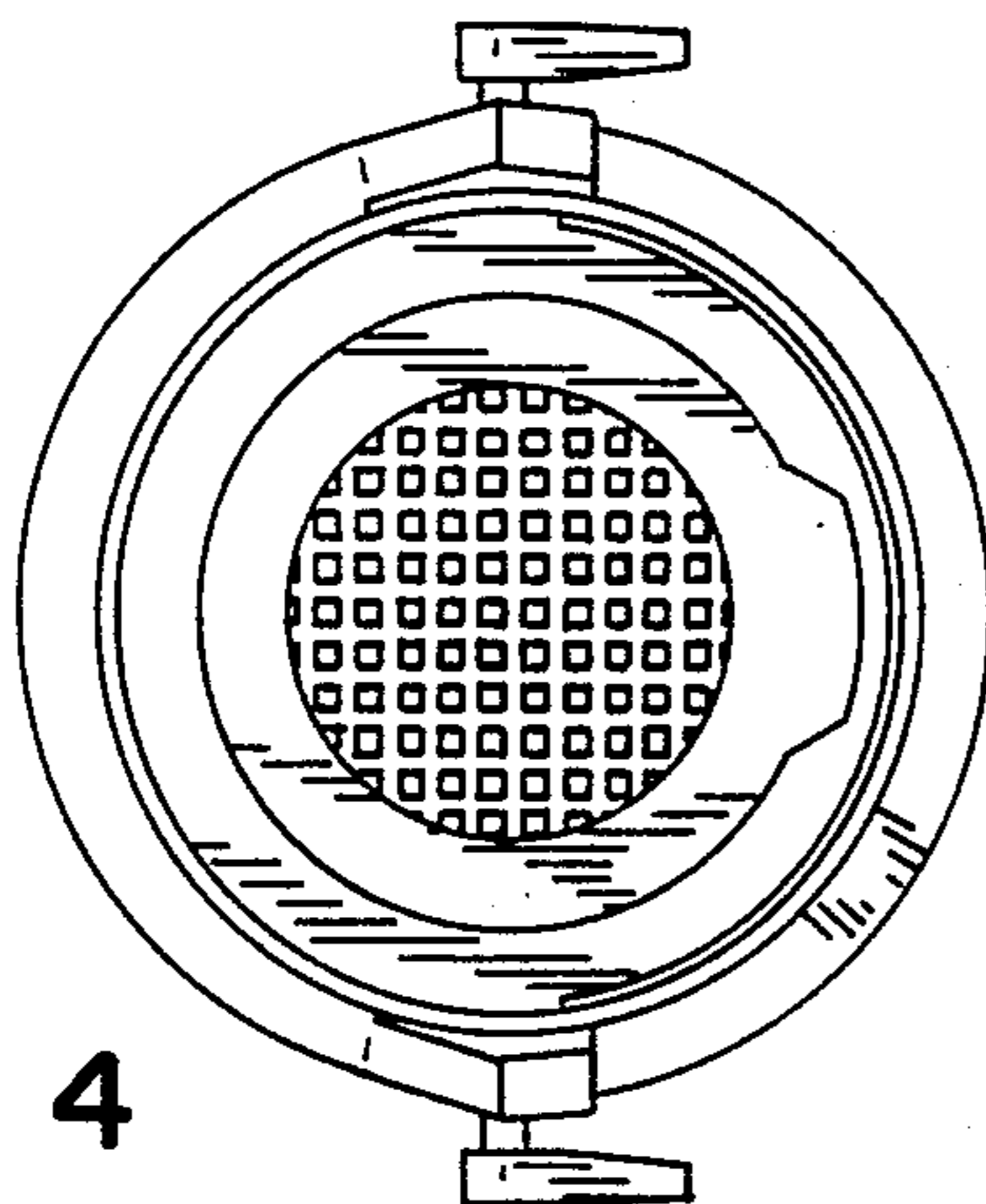


FIG 4